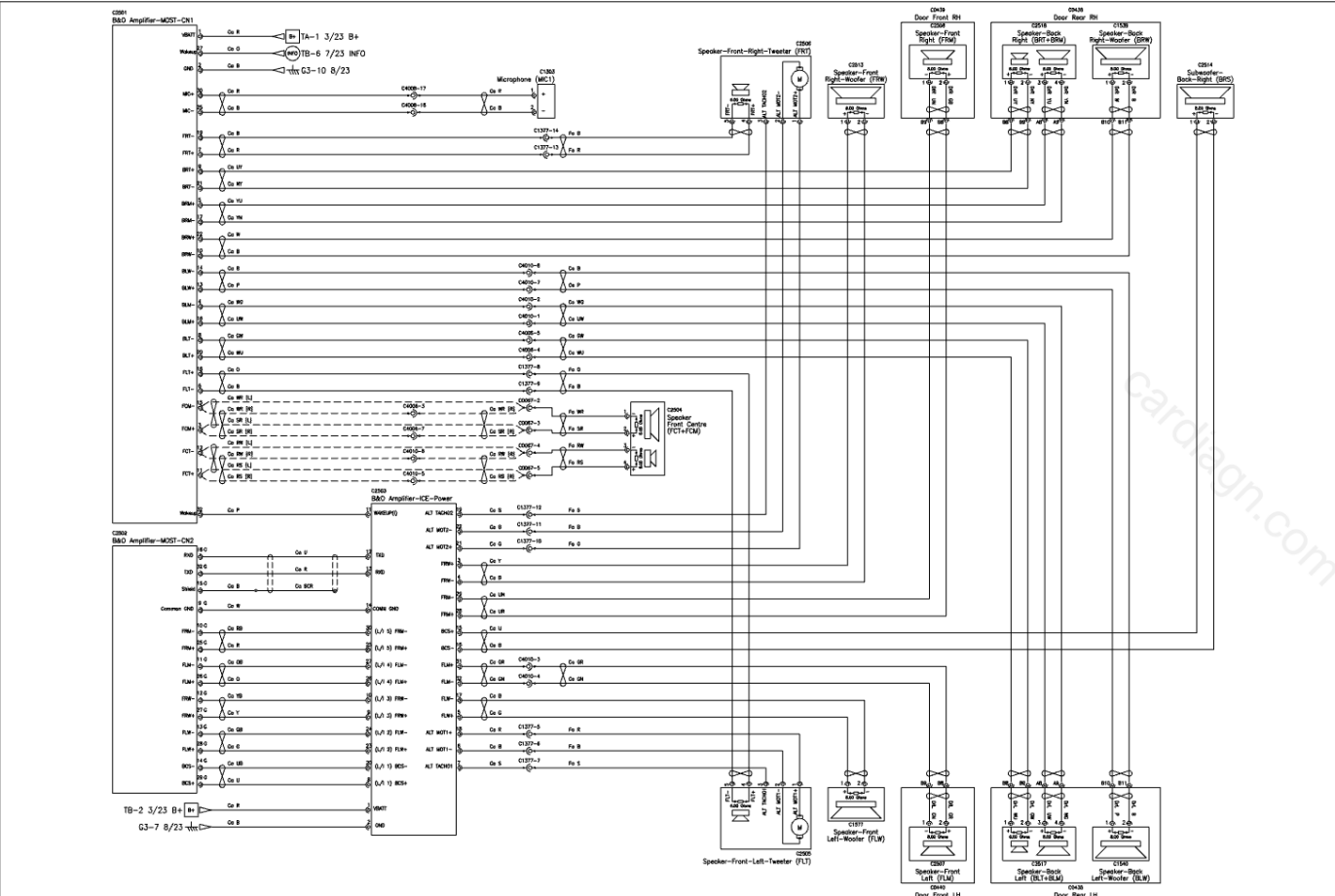
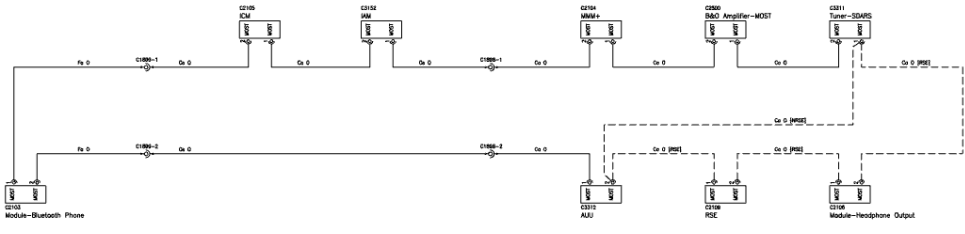
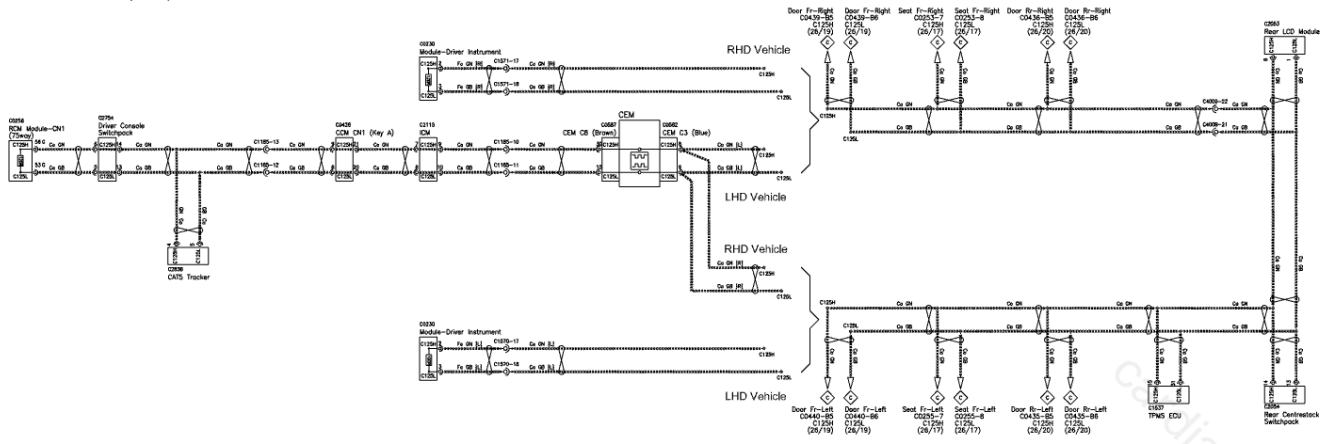


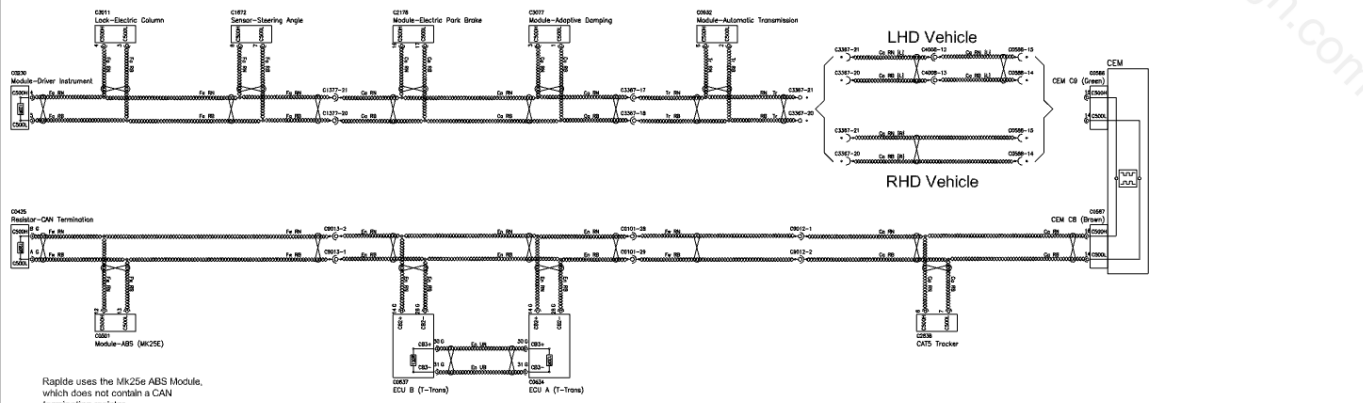
MOST LOOP



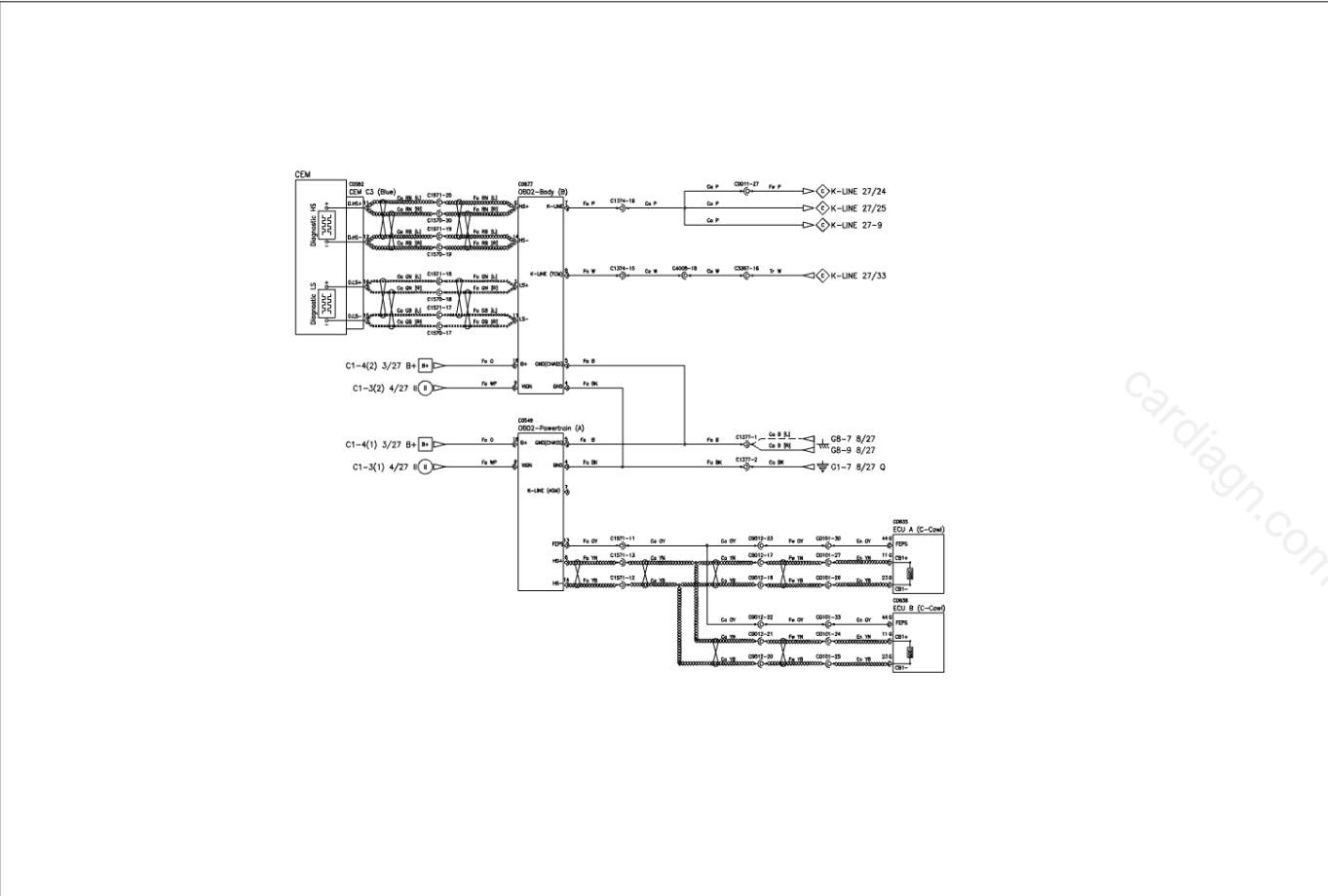




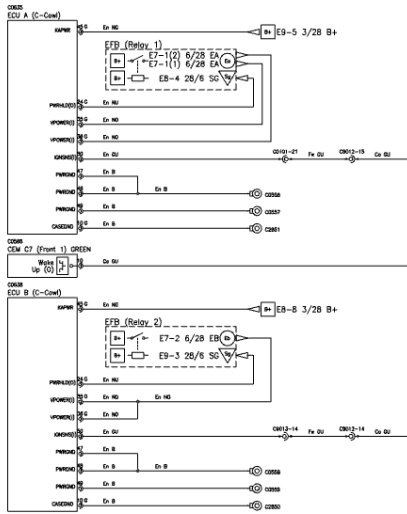
POWERTRAIN CAN BUS - 500K (C500)



	EPSC Code	Prog	Rapide	TITLE	Body and Powertrain CAN Network	AHL DRG No.	ILBD43-14T400-AA	<b>26</b> OF 33
	00.06.51	Build	2011MY	SUB-SYSTEM TITLE	-			



	EPSC Code	Prog	Rapide	TITLE	Vehicle Diagnostic Connectors	AHL DRG No.	ILBD43-14T400-AA	<b>27</b> OF 33
	00.06.51	Build	2011MY	SUB-SYSTEM TITLE	-			



cardiagn.com

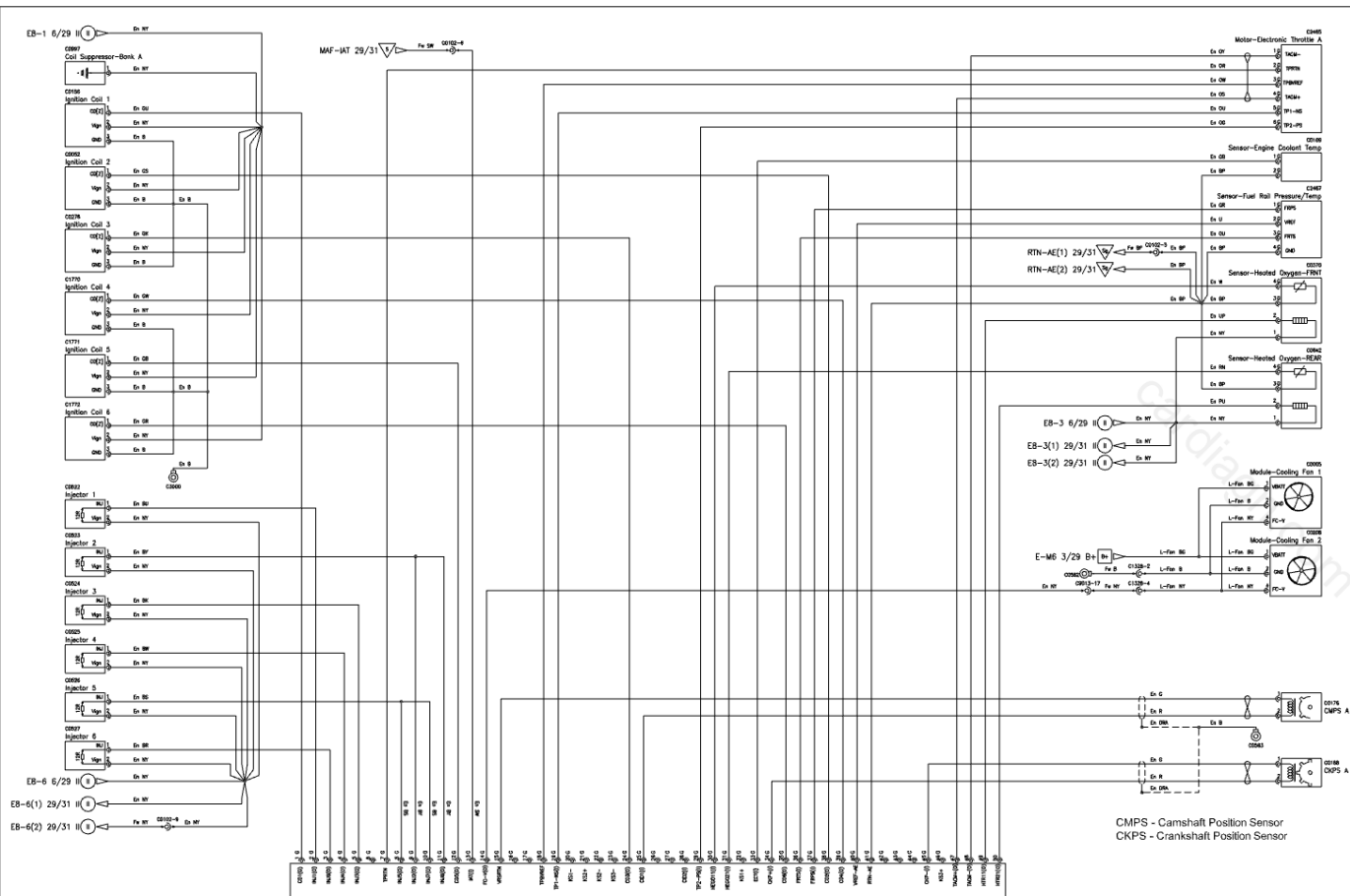


CPSC Code: 00.06.51  
 Prog Build: Rapide 2011MY

**Engine Management**  
 Power and Ground

AML DRG No. ILBD43-14T400-AA

**28**  
 OF 33



CMPS - Camshaft Position Sensor  
 CKPS - Crankshaft Position Sensor



CPSC Code: 00.06.51  
 Prog Build: Rapide 2011MY

**Engine Management**  
 Engine Bank A (including cooling fan pack)

AML DRG No. ILBD43-14T400-AA

**29**  
 OF 33

