

[Back](#)

Contents



Select a System

[COMPLETE VEHICLE SYSTEM 000000 Miscellaneous](#)

[BODY 010100 Panels](#)

[BODY 010200 Deflectors, Shields, Front Wings & Hood](#)

[BODY 010300 Doors & Trunklid](#)

[BODY 010500 Trim, Interior](#)

[BODY 010601 Insulation](#)

[BODY 010702 Weatherstrips & Seal's](#)

[BODY 010800 Trim Panel's, Exterior](#)

[BODY 010900 Mirrors](#)

[BODY 011000 Seats](#)

[BODY 011100 Glass & Windows](#)

[BODY 011200 Console Panels & Switches](#)

[BODY 011400 Security, Locks & Latches](#)

[BODY 011600 Wiper & Washers](#)

[BODY 011700 Volante Roof Assy](#)

[BODY 011900 Bumper's & Number Plates](#)

[BODY 012000 Seatbelt's & Airbag's](#)

[FRAME AND MOUNTING 020000](#)

[ENGINE SYSTEM 030000](#)

[SUSPENSION SYSTEM 040000](#)

[DRIVELINE SYSTEM 050000](#)

[BRAKE SYSTEM 060000](#)

[TRANSMISSION SYSTEM 070000](#)

[CLUTCH SYSTEM 080000](#)

[EXHAUST SYSTEM 090000](#)

[FUEL SYSTEM 100000](#)

[STEERING SYSTEM 110000](#)

[CLIMATE CONTROL 120000](#)

[INFO, GAUGE & WARNING 130000](#)

[ELECTRICAL POWER SUPPLY 140000](#)

[IN-VEHICLE ENTERTAINMENT 150000](#)

[VACUUM DISTRIBUTION 160000](#)

[LIGHTING SYSTEM 170000](#)

[ELECTRICAL DISTRIBUTION 180000](#)

[ELECTRONIC FEATURES 190000](#)

[LABELS 200000](#)

Miscellaneous_000000

[000200-C1 Jack, Tools & Emergency Equipment](#)

[000301-G4 Owner's Guides](#)

Body_010100 Panels

[010100-B1 Body, Coupe & Consumables](#)
[010100-B2 Body, Volante](#)
[010101-B1 Body Components, Coupe](#)
[010101-B2 Body Components, Volante](#)
[010101-B3 Underbody](#)
[010101-B4 Underbody Rear, Coupe](#)
[010101-B5 Underbody Rear, Volante](#)
[010102-B1 Body Dash and Cowl - RHD/LHD](#)
[010103-B1 Roof Coupe](#)
[010103-B2 Roof Convertible](#)
[010104-B1 Panel Body Side](#)
[010104-B2 Panel Body Side, Volante](#)
[010106-B3 Body Rear End Composite, Coupe](#)
[010106-B4 Body Rear End Composite, Volante](#)
[010106-B5 Body Rear End, Volante](#)
[010106-B6 Body Rear End, Coupe](#)
[010107-B1 Deflector and Shields](#)
[010107-C1 Rear Shields](#)
[010107-C2 Rear Shields, 09MY](#)
[010108-B2 EV Structure](#)
[010108-B4 EV Structure, Volante](#)
[010108-B5 EV Structure, Volante, 09MY](#)

[Top](#)

Body_010200 Deflectors, Shields, Front Wings and Hood

[010202-B1 Grille Opening Panel](#)
[010202-B2 Grille Opening Panel, 09MY](#)
[010203-B1 Front Wing Assy](#)
[010204-B1 Deflectors & Shields](#)
[010204-B2 Divider Front Grille](#)
[010205-B1 Hood and Mounting](#)
[010207-B1 Aerodynamic Undershield](#)
[010207-B2 Aerodynamic Undershield, Convertible](#)

[Top](#)

Body_010300 Doors & Trunk Lid

[010301-B1 Front Side Doors](#)
[010301-G1 Front Side Door Hinges](#)
[010303-B1 Trunk Lid, Coupe](#)
[010303-B2 Trunk Lid, Volante](#)

[Top](#)

Body_010500 Trim, Interior

[010501-B1 Floor Trim](#)
[010501-B3 Auxiliary Interior Trim](#)
[010501-B5 Floor Trim, Volante](#)
[010502-B1 Cowl Side Trim Lower, LHD](#)
[010502-B2 Cowl Side Trim Lower, RHD](#)
[010503-B1 Headliner Assy](#)
[010503-B2 Header Trim Coupe LHD](#)
[010503-B3 Header Trim Coupe LHD 09MY](#)
[010503-B4 Header Trim Coupe RHD](#)
[010503-B5 Header Trim Coupe RHD 09MY](#)
[010503-B6 Header Trim, Volante](#)
[010503-B7 Header Trim, Volante, 09MY](#)
[010503-B8 Pillar Trim Upper, Volante](#)
[010504-B1 Visor Assy](#)
[010504-B2 Visor Assy, 09MY](#)
[010505-B1 Front Side Door Trim](#)
[010507-B1 Body Side Quarter Trim Assy](#)
[010507-B2 Pillar Trim Upper Coupe](#)
[010507-B3 Body Side Quarter Trim Assy, Volante](#)
[010508-B2 Package Tray Assy](#)
[010508-B3 Body Rear End Trim Assy, Volante](#)
[010508-B5 Roof Opening Trim, Volante](#)
[010508-B8 Body Rear End Trim Assy, Coupe](#)

[Top](#)

Body_010601 Insulation

[010601-B2 Floor Sound Insulation RHD](#)
[010601-B3 Floor Sound Insulation LHD](#)
[010601-B4 Sound Insulation Engine Compartment](#)
[010601-B5 Body Anti-Can Sound Pad, LHD](#)
[010601-B6 Body Anti-Can Sound Pad RHD](#)
[010601-B8 Body Sound Insulation, Coupe](#)

[Top](#)

Body_010702 Weatherstrips & Seals

[010702-B1 Dynamic Weatherstrips](#)
[010702-B2 Dynamic Weatherstrips, Volante](#)
[010703-B1 Soft Sealing, Coupe, RHD, LHD](#)
[010703-B3 Soft Sealing, Volante, RHD, LHD](#)
[010706-B1 Plenum Cover, LHD/RHD](#)
[010707-B1 Door and Quarter Panel Watershields](#)

[Top](#)

Body_010800 Trim Panels. Exterior

[010801-B1 Grille Radiator](#)

[010801-B2 Grille Radiator, 09MY](#)

[010802-B1 Front End Trim & Ornamentation](#)

[010804-B2 Roof Trim & Ornamentation, Volante](#)

[010805-B1 Body Side, Quarter Trim & Ornamentation](#)

[010805-B2 Body Side & Quarter Trim - Volante](#)

[010805-B5 Stone Chip Guard Assembly](#)

[010806-B1 Body Rear End Trim and Ornamentation](#)

[010807-B1 Trunk Lid, External Trim & Ornamentation](#)

[010807-B2 Trunk Lid, External Trim & Ornamentation,](#)

[Volante](#)

[Top](#)

Body_010900 Mirrors

[010901-B1 Inside Mirror LHD](#)

[010901-B2 Inside Mirror, RHD](#)

[010901-B3 Inside Mirror, Volante](#)

[010901-D1 Inside Mirror, Electronic Chromatic and](#)

[Garage Door Opener](#)

[010904-B1 Rear View Mirrors, External](#)

[010904-B2 Rear View Mirrors, External, 09MY](#)

[Top](#)

Body_011000 Seats

[011000-B1 Front Seat Assy - Up to VIN A09109](#)

[011001-B2 Front Seat Assy - From VIN A09110](#)

[011003-B3 Rear Seat Assy - Coupe](#)

[011003-B4 Rear Seat Assy - Volante](#)

[011009-D1 Front Seat Adjustment](#)

[Top](#)

Body_011100 Glass & Windows

[011101-B1 Non Heated Windshield](#)

[011102-B1 Heated Windshield](#)

[011103-B1 Front Door Glass](#)

[011104-B1 Glass Assembly, Quarter Window](#)

[011104-B2 Glass Assembly, Quarter Window, Volante](#)

[011106-B1 Heated Backlight](#)

[011108-B1 Power Window Regulators](#)

[011108-B2 Power Quarter Window Regulator, Volante](#)

[011109-D1 Window Mirror Lock Controller](#)

[Top](#)

Body_011200 Console Panels & Switches

[011201-B2 Instrument Panel Up to 09MY](#)
[011201-B4 Instrument Panel-Centre Stack](#)
[011201-B5 Instrument Panel-LHD, RHD, B&O 9.5MY](#)
[011201-B6 Instrument Panel-X-Car Beam Assembly-LHD,RHD](#)
[011201-B7 Instrument Panel Substructure-LHD,RHD](#)
[011201-D1 Glove Box Open Switch, RHD](#)
[011201-D2 Glove Box Open Switch, LHD](#)
[011201-E1 CCB to BIW Mounting Brackets](#)
[011202-B1 Console Rear Panel](#)
[011202-B2 Console Panel Rear - Volante](#)
[011202-B3 Console Panel](#)
[011202-B4 Console Panel with Armrest Stowage, Manual](#)
[011202-B5 Console Panel with Armrest Stowage, Manual 08MY+](#)
[011202-B6 Console Panel, Ashtray - AUTO, 09MY](#)
[011202-B7 Console Panel, High, Ashtray - AUTO](#)
[011202-B8 Console Panel, Mid, Ashtray - AUTO](#)
[011202-B9 Console Panel, MANUAL, 09MY](#)
[011202-C1 Console Panel, Low, Ashtray - AUTO](#)
[011202-C2 Console Panel, High, Utility Tray - AUTO](#)
[011202-C3 Console Panel, Mid, Utility Tray - AUTO](#)
[011202-C4 Console Panel, High, Ashtray - MANUAL](#)
[011202-C5 Console Panel, Mid, Ashtray - MANUAL](#)
[011202-C6 Console Panel, Low, Ashtray - MANUAL](#)
[011202-C7 Console Panel, High, Utility Tray - MANUAL](#)
[011202-C8 Console Panel, Mid, Utility Tray - MANUAL](#)
[011202-C9 Console Panel, Low, Utility Tray - MANUAL](#)
[011202-D1 Console Switches - RHD Manual - Coupe](#)
[011202-D2 Console Switches - RHD Auto - Volante](#)
[011202-D3 Console Switches - RHD Manual - Volante](#)
[011202-D4 Console Switches - RHD Auto - Coupe](#)
[011202-D5 Console Switches - LHD Manual - Coupe](#)
[011202-D6 Console Switches - LHD Auto - Volante](#)
[011202-D7 Console Switches - LHD Manual - Volante](#)
[011202-D8 Console Switches - LHD Auto - Coupe](#)

[Top](#)

Body_011400 Security, Locks & Latches

[011401-B1 Transmitter Assy, RKE, 09MY](#)
[011401-B2 Lock Set and Keys](#)
[011401-B3 Transmitter Ignition Start/Stop Switch Module, 09MY](#)
[011403-B1 Hood Latching System](#)
[011404-B1 Front Door Latch, LHD](#)
[011404-B2 Front Door Latch, RHD](#)
[011404-B3 Handle Assy](#)

[011405-B1 Trunk Latching System - Coupe](#)
[011405-B2 Trunk Latching System - Volante](#)
[011409-B1 Keyless Entry Remote](#)
[011409-D1 Reduced Guard Switch, RHD](#)
[011409-D2 Reduced Guard Switch, LHD](#)
[011410-B1 Fuel Filler Door Latches & Mechanisms, Coupe](#)
[011410-B2 Fuel Filler Door Latches & Mechanisms, Volante](#)
[011410-D1 Fuel Flap Release Switch, LHD](#)
[011410-D2 Fuel Flap Release Switch, RHD](#)
[011411-B1 Tonneau Latching System, Volante](#)
[Top](#)

Body_011600 Wipers & Washers

[011601-B2 Wiper Blade Assy](#)
[011602-B2 Wiper Linkage Assy](#)
[011603-B4 Washer Nozzle Assy](#)
[011604-B1 Head Lamp Power Wash Assy](#)
[011604-B2 Head Lamp Washer Assy](#)
[Top](#)

Body_011700 Volante Roof Assy

[011702-B3 Volante Top Assy](#)
[011702-B6 Top Seal Moulds](#)
[011703-B1 Roof Opening Panel](#)
[Top](#)

Body_011900 Bumpers and Number Plates

[011901-B1 Front Bumper](#)
[011901-B2 Front Bumper Armature](#)
[011901-B3 Front Bumper Isolator](#)
[011902-B1 Rear Bumper](#)
[011902-B2 Rear Bumper Armature](#)
[011902-B3 Rear Bumper PDC](#)
[011904-B1 License Plate Brackets](#)
[011904-B2 License Plate Bracket Assy, NAS](#)
[Top](#)

Body_012000 Seatbelts & Airbags

[012001-B2 Rear Seatbelts Assy - Coupe](#)
[012001-B5 Front Seatbelts - Coupe](#)
[012001-B6 Front Seatbelts, Volante](#)

[012001-B7 Rear Seatbelt Assy, Volante](#)
[012003-B1 Passenger Air Bag, LHD](#)
[012003-B2 Passengers Airbag - RHD](#)
[012003-B3 Side Airbag - LH](#)
[012003-B4 Side Airbag - RH](#)
[012004-B1 Child Restraints](#)
[012004-B2 ROPS Installation, Volante](#)
[012005-B1 Actuation Sensors](#)

[Top](#)

Frame_0200

[020100-C1 Front Frame Sub System](#)
[020100-C2 Rear Frame Sub System](#)
[020300-C1 Engine Mounting- Manual](#)
[020300-C2 Engine Mounting- Automatic](#)
[020600-C1 Splash & Heat Shields, LHD](#)
[020600-C2 Splash & Heat Shields, RHD](#)

[Top](#)

Engine_0300

[030100-E1 Engine Structure](#)
[030200-E1 Engine Lubrication](#)
[030300-E1 Engine Cooling](#)
[030300-S1 Engine Cooling](#)
[030300-S2 Engine Cooling 09MY](#)
[030304-S2 Coolant Hoses Up to VIN A04068](#)
[030304-S3 Coolant Hoses From VIN A04069](#)
[030400-E1 Fuel Charging & Controls](#)
[030500-E1 Accessory Drive](#)
[030600-E1 Engine Cranking- Manual](#)
[030600-E2 Engine Cranking- Auto](#)
[030604-D1 Starter Button](#)
[030700-E1 Engine Ignition](#)
[030800-E1 Engine Emission Control](#)
[030900-E1 Valve Train](#)
[031000-E1 Engine Sealing](#)
[031100-E1 Engine Power Conversion](#)
[031200-S1 Air Charging](#)
[031300-S1 Evaporative Emissions](#)
[031400-E1 Electronic Engine Control](#)
[031401-D1 Electronic Engine Control](#)
[031403-D1 Barometric Sensor](#)
[031800-C1 Foot Operated Accelerator Control, LHD](#)
[031800-C2 Foot Operated Accelerator Control, RHD](#)
[031904-D1 Switch Clutch Pedal, LHD](#)
[031904-D2 Switch Clutch Pedal, RHD](#)

[Top](#)

Suspension_0400

[040100-C1 Front Suspension Sub System](#)
[040105-C1 Front Stabilizer Bar Assy, Coupe](#)
[040105-C2 Front Stabilizer Bar Assy, Volante](#)
[040200-C1 Rear Suspension Sub System](#)
[040205-C1 Rear Stabilizer Bar Assy, Coupe](#)
[040300-B1 Front Spring & Damper Assy, Coupe 09MY](#)
[040300-C1 Front Spring & Damper Assy, Coupe](#)
[040300-C2 Rear Spring & Damper Assy Coupe](#)
[040300-C3 Rear Spring & Damper Assy Coupe 09MY](#)
[040300-C4 Front Spring & Damper Assy, Volante](#)
[040300-C5 Front Spring & Damper Assy, Volante 09MY](#)
[040300-C6 Rear Spring & Damper Assy, Volante](#)
[040300-C7 Rear Spring & Damper Assy, Volante 09MY](#)
[040400-C1 Front Wheel & Tyre Assy, Standard](#)
[040400-C2 Rear Wheel & Tyre Assy, Standard](#)
[040401-C1 DB9 Sports-pack Kit](#)

[Top](#)

Driveline_0500

[050100-W1 Driveshaft, Manual](#)
[050100-W2 Driveshaft, Auto](#)
[050500-W1 Rear Halfshaft Assy, Manual](#)
[050500-W2 Rear Halfshaft Assy, Auto](#)

[Top](#)

Braking_0600

[060300-C1 Front Brake Disc Sub-System](#)
[060400-C1 Rear Brake Disc Sub-System](#)
[060500-C2 Parking Brake & Actuator- MANUAL LHD](#)
[060500-C3 Parking Brake & Actuator- MANUAL, RHD](#)
[060600-C1 Brake Actuator Assy- MANUAL, LHD](#)
[060600-C2 Brake Actuator Assy- MANUAL, RHD](#)
[060600-C3 Brake Actuator Assy- AUTO, LHD](#)
[060600-C4 Brake Actuator Assy- AUTO, RHD](#)
[060603-C1 Brake Tube & Hose Assy - LHD](#)
[060603-C2 Brake Tube & Hose Assy - RHD](#)
[060604-D1 Stop Lamp Switch, LHD](#)
[060604-D2 Stop Lamp Switch, RHD](#)
[060700-C1 Power Brake Assy, LHD](#)
[060700-C2 Power Brake Assy, RHD](#)
[060900-C1 Anti-lock Module](#)
[060901-C1 Anti-lock & Wheelspin Sensor](#)

[Top](#)

Transmission_0700

[070000-P1 Automatic Transaxle](#)

[070000-P2 Automatic Transaxle](#)

[070000-P3 Automatic Transaxle](#)

[070200-R1 Transaxle Cooling, MANUAL](#)

[070200-R2 Transaxle Cooling, MANUAL 09MY](#)

[070300-R1 Manual Transaxle](#)

[070502-D1 Transmission Switches - Auto](#)

[070502-D2 Paddleshift Assy - LHD](#)

[070502-D3 Paddleshift Assy - LHD, RHD 09MY](#)

[070502-D4 SBW \(Shift By Wire\) Interface](#)

[070600-R1 Manual Transmission Controls, MANUAL](#)

[Top](#)

Clutch_0800

[080000-R1 Clutch System, LHD](#)

[080000-R2 Clutch System, RHD](#)

[Top](#)

Exhaust_0900

[090000-S1 Exhaust](#)

[090400-S1 Heatshield Sub System- MANUAL](#)

[090400-S2 Heatshield Sub System- AUTO](#)

[Top](#)

Fuel_1000

[100101-S1 Fuel Tank](#)

[100103-S1 Fuel Pipes](#)

[100104-S1 Filler Cap & Pipe Assy \(Coupe\)](#)

[100104-S2 Filler Cap & Pipe Assy - Volante](#)

[100106-D1 Fuel Pump Driver Modules](#)

[Top](#)

Steering_1100

[110200-C1 Power Steering - LHD](#)

[110200-C2 Power Steering - RHD](#)

[110203-C1 Hoses & Cooler Reservoir - LHD](#)

[110203-C2 Hoses & Cooler Reservoir - LHD, 09MY](#)

[110203-C3 Hoses & Cooler Reservoir - RHD](#)

[110203-C4 Hoses & Cooler Reservoir - RHD, 09MY](#)

[110400-C1 Steering Column Assy](#)
[110400-C2 Steering Column Assy 09MY](#)
[110502-D1 Ignition Interlock Switch Assy - LHD](#)
[110502-D2 Ignition Without Key Interlock Assy - LHD](#)
[110502-D3 Ignition Key Interlock Switch Assy - RHD](#)
[110502-D4 Ignition Without Key Interlock Switch Assy - RHD](#)
[110600-B1 Steering Wheel Assy - RHD](#)
[110600-B2 Steering Wheel Assy - LHD](#)
[110600-B3 Steering Wheel Cruise Control - RHD](#)
[110600-B4 Steering Wheel Cruise Control - LHD](#)
[110602-D1 Steering Column Switchgear Assy - LHD](#)
[110602-D2 Steering Column Switchgear Assy - RHD](#)
[Top](#)

Climate_1200

[120101-S1 Air Intake Duct, LHD](#)
[120101-S2 Air Intake Duct, RHD](#)
[120102-B1 Air Distribution Components - LHD/RHD](#)
[120103-B1 Air Distribution Components](#)
[120300-S1 Evaporator & Heater - LHD](#)
[120300-S2 Evaporator & Heater - RHD](#)
[120305-S1 Air Conditioning Line Fittings, LHD](#)
[120305-S2 Air Conditioning Line Fittings, RHD](#)
[120400-S1 Climate Control Sensors, LHD](#)
[120400-S2 Climate Control Sensors, RHD](#)
[Top](#)

Gauge_1300

[130101-D1 Instrument Cluster, LHD](#)
[130101-D2 Instrument Cluster, RHD](#)
[130600-D1 Horn System](#)
[131301-D1 Parking Reversing Aid, LHD](#)
[131301-D2 Parking Reversing Aid, RHD](#)
[Top](#)

Electrical_1400

[140101-D1 Battery](#)
[140101-D2 Battery Off Switch](#)
[140101-D3 Battery Conditioner Kit](#)
[140102 B1 Battery Hold Down](#)
[140103-D2 Battery Cables Coupe](#)
[140103-D3 Battery Cables V12 LHD, Volante](#)
[140103-D4 Battery Cables V12 RHD, Volante](#)
[Top](#)

In-Vehicle entertainment_1500

[150103-D1 Receiver & Audio Media Sub System](#)
[150104-D1 Receiver & Audio Media Sub System](#)
[150104-D2 Receiver & Audio Media Sub System, 09MY](#)
[150108-D1 Media Player](#)
[150108-D2 Media Player 09MY](#)
[150108-D3 MP3 Media Sub System](#)
[150204-D1 Electronic Antenna Pre 08MY](#)
[150204-D2 Electronic Antenna 08MY](#)
[150204-D3 Front Scree Electronic Antenna](#)
[150204-D4 Non SDARS Blanking Plate](#)
[150301-D1 Speaker Assembly 08MY/ 09MY](#)
[150301-D2 Speaker Assembly Convertible 08MY/ 09MY](#)
[150301-D3 Premium Speaker Assembly Coupe 07MY](#)
[150301-D4 Premium Speaker Assembly Convertible 07MY](#)
[150301-D5 Base Speaker Assembly Coupe 07MY](#)
[150301-D6 Base Speaker Assembly Convertible 07MY](#)

[Top](#)

Vacuum_1600

[160000-S1 Vacuum Distribution](#)
[160200-C1 Vacuum Distribution Sub-System, LHD](#)
[160200-C2 Vacuum Distribution Sub System, RHD](#)

[Top](#)

Lighting_1700

[170101-D1 Headlamps](#)
[170101-D2 Headlamp Fixings](#)
[170102-D1 Side Repeater](#)
[170105-D1 Front Side Markers](#)
[170202-D1 Courtesy Lighting- LHD](#)
[170202-D2 Courtesy Lighting, RHD](#)
[170202-D3 Courtesy Lighting, VOLANTE- LHD](#)
[170202-D4 Courtesy Lighting, VOLANTE- RHD](#)
[170301-D1 Rear Stop Tail Lamps](#)
[170301-D2 Centre High Mounted Stop Light](#)
[170301-D3 Centre High Mounted Stop Lamp, VOLANTE](#)
[170301-D4 Tail Lamp Fixings](#)
[170305-D1 Rear Side Markers](#)
[170306-D1 Rear Reflectors](#)
[170308-D1 Licence Plate Illumination](#)
[170401-B1 Headlamp Levelling](#)
[170401-D1 Headlamp Levelling Controller, LHD](#)
[170401-D2 Headlamp Levelling Controller, RHD](#)

[170501-D2 Lighting Switches Sub System, RHD](#)

[Top](#)

Electric Distribution_1800

[180101-D1 Harness Assy Engine Bay - LHD, RHD](#)

[180101-D3 Harness Assy Engine RHD, LHD](#)

[180101-D4 Earth Stud Nuts](#)

[180102-D1 IP & Cowl Harness - LHD, RHD](#)

[180103-D1 Body Harness](#)

[180103-D2 Rear End Harness](#)

[180103-D3 Body Harness](#)

[180106-D1 Fuse Panel, Fuses, Circuit Breakers - LHD](#)

[180106-D2 Fuse Panel, Fuses, Circuit Breakers - RHD](#)

[180401-D1 Auxiliary Socket](#)

[Top](#)

Electronic_1900

[190101-D2 Tracker](#)

[190102-D1 Anti Theft Sensors & Switches - LHD](#)

[190102-D2 Anti Theft Sensors & Switches - RHD](#)

[190103-D1 Security Sounder](#)

[190202-D1 RKE Bracket - LHD](#)

[190202-D2 RKE Bracket - RHD](#)

[190600-D1 Voice Control Subsystem](#)

[190701-D1 Navigation Computer](#)

[190701-D2 Navigation Computer 09MY Coupe and Volante](#)

[190701-D3 Navigation Computer, VOLANTE](#)

[190703-D1 Sat Nav Display](#)

[190705-D1 GPS Tuner](#)

[190706-D1 GPS Antenna](#)

[190706-D2 GPS Antenna, VOLANTE](#)

[190800-D1 Cellular Phone Subsystem, LHD](#)

[190800-D2 Cellular Phone Subsystem, RHD](#)

[190801-D1 Bluetooth Subsystem, RHD, LHD](#)

[191001-B1 Tyre Pressure Module](#)

[191001-D1 Multi-Function Electronic Control, LHD](#)

[191001-D2 Multi-Function Electronic Control, RHD](#)

[Top](#)

Labels_2000

[200000-B1 Exterior Labels](#)

[200001-B1 Interior Labels](#)

[200002-B1 Under bonnet Labels](#)

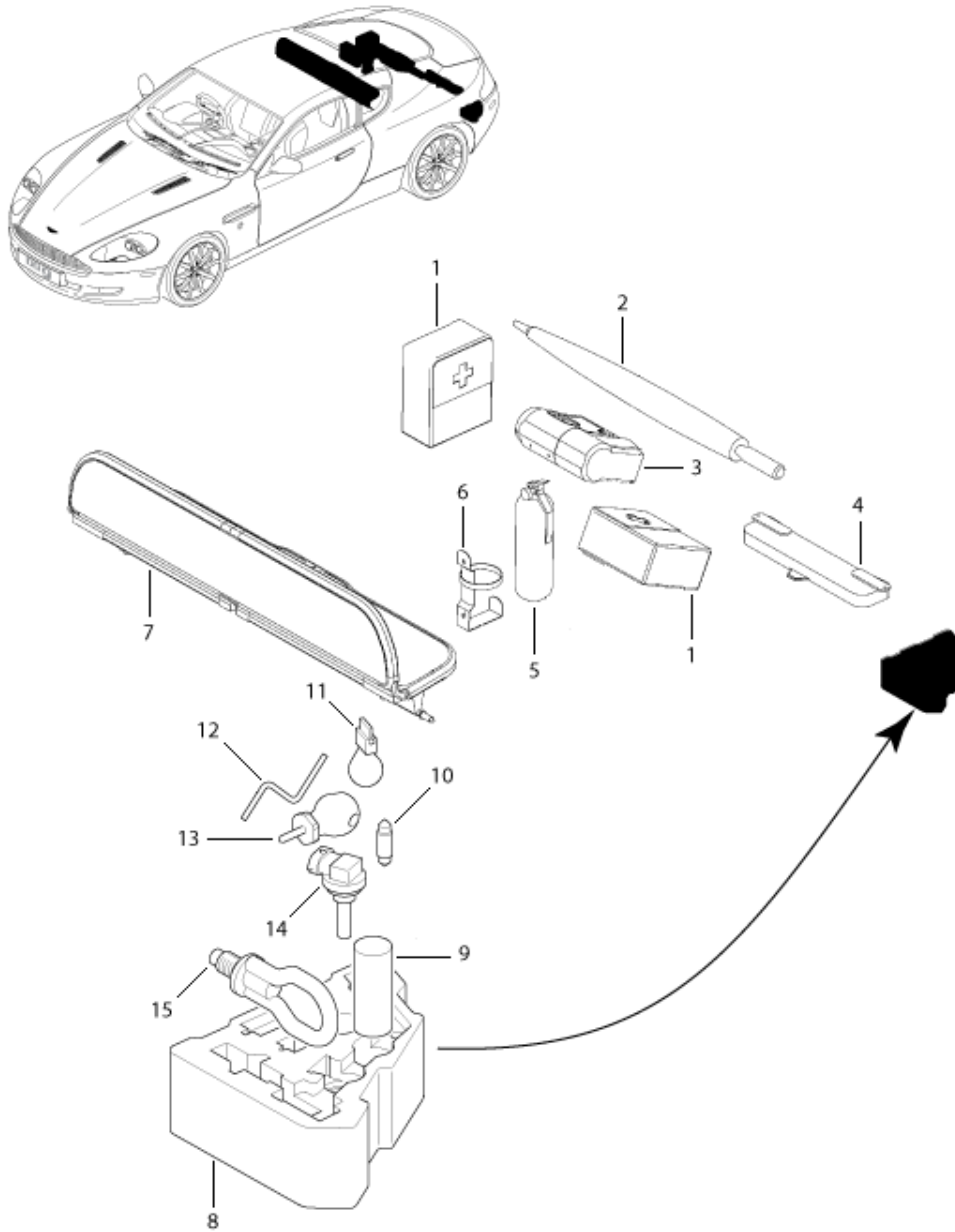
[Top](#)

[Contents](#)

DB9 - COMPLETE VEHICLE SYSTEM

DB9

00 COMPLETE VEHICLE SYSTEM



April 2007
 000200-C1
 Jack, Tools and Emergency Equipment

Jack, Tools and Emergency Equipment

Item	Part Number	Description	Qty	Remarks
1	6G33-19K536-AA	First aid kit	1	Coupe
-	40-82937	First aid kit	1	Volante
-	83-123675-AA	Case, First Aid kit	1	Volante
2	4G43-700712-AA	Umbrella, standard, AML	1	-
3	4G43-19L523-AA	Tyre repair kit	1	USA

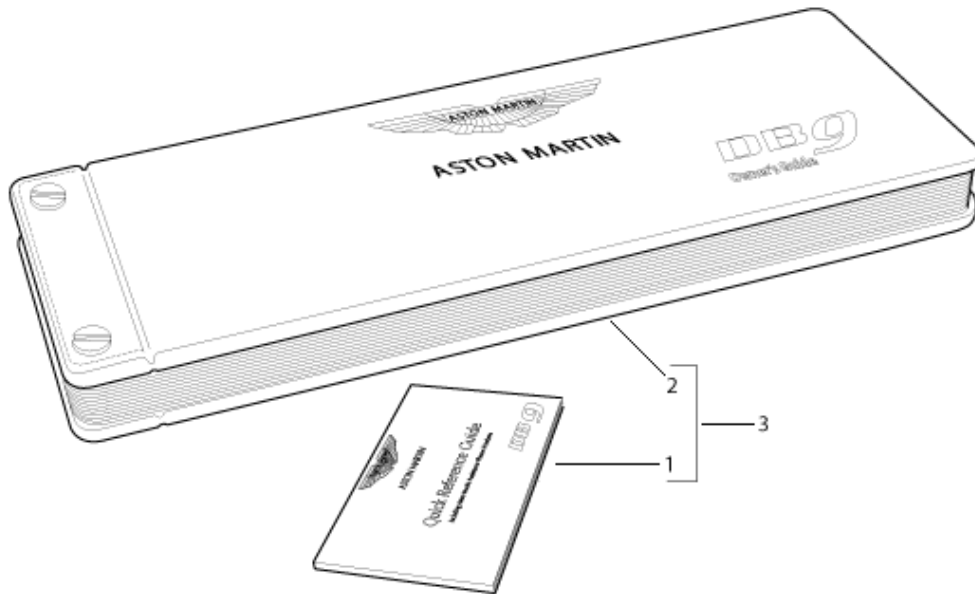
-	4G43-19L523-BA	Tyre repair kit	1	Canada
-	4G43-40-10068	Tyre repair kit	1	-
-	4G43-40-10137	Replacement bottle, tyre repair kit	1	-
-	4G43-40-10138	Hose & adaptor kit, tyre repair kit	1	-
4	40-85857	Warning triangle	1	-
5	4R12-126238-AA	Fire extinguisher	1	-
6	NSS	Bracket, Fire extinguisher	1	POA
7	4G43-19136-AA	Wind deflector kit	1	-
8	4G43-V17009-BD	Tray, tools, Coupe	1	-
-	4G43-V17009-AD	Tray, tools, Volante	1	-
9	4G43-1A105-AA	Adaptor, wheel nut	1	-
-	4G43-1A107-AA	Nut, wheel	4	-
-	4G43-17A147-AA	Kit, wheel lock	1	-
10		Bulb	1	-
11		Bulb	1	-
-	4G43-38966-BA	Bulb, wedge base, WY5W	1	-
-	4G43-38966-AA	Bulb, wedge base, W5W	1	-
-	4G43-99700-AA	Bulb, 27w, PY27/7	1	-
-	4G43-99703-AA	Bulb, 65w, H9	1	-
12		Allen key	1	-
13	4G43-S064T64-A-PIA1	Screwdriver	1	-
14	4G43-99703-AA	Bulb, main beam 65W type H9	1	-
15	4G43-40-10077	Towing eye	1	-
-	4G43-S064T64-AD	Kit, tool, coupe, ROW	1	-
-	4G43-S064T64-BD	Kit, tool, Volante, ROW	1	-
-	4G43-S064T64-CD	Kit, tool, coupe, Federal	1	-
-	4G43-S064T64-DD	Kit, tool, Volante, Federal	1	-
-	4G43-17085-AA	Kit, tool, Middle East	1	-
-	4G43-000201-AA	Jack and handle, Middle East	1	-
-	4G43-N17009-AA	Foam pad, Middle East	1	-
-	4G43-17035-AA	Wrench, wheel nut, Middle East	1	-
-	4G43-1007-CA	Wheel, space saver, Middle East	1	-
-	4G43-69670-AA	Bag, wheel, space saver, Middle East	1	-
-	4G43-40-10054	Handle, emergency, hood	1	Volante

[Contents](#)

DB9 - COMPLETE VEHICLE SYSTEM

DB9

00 COMPLETE VEHICLE SYSTEM



March 2008
000301-G4
Owners Guides

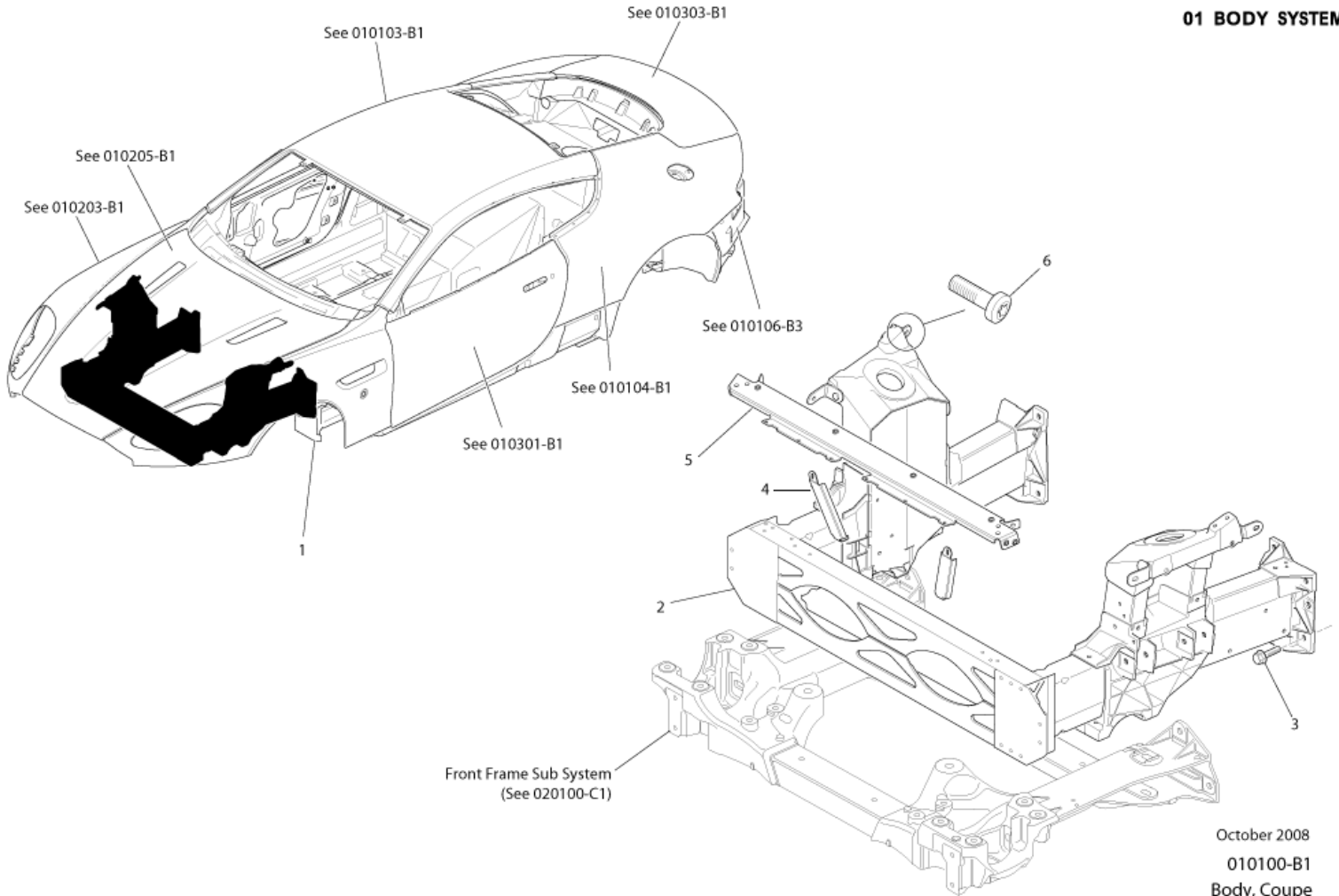
Owners Guides

Item	Part Number	Description	Qty	Remarks
1	9G43-19G217-AA	Quick reference guide, English	1	-
-	9G43-19G217-BA	Quick reference guide, French	1	-
-	9G43-19G217-CA	Quick reference guide, German	1	-
-	9G43-19G217-DA	Quick reference guide, Italian	1	-
-	9G43-19G217-EA	Quick reference guide, Spanish	1	-
-	9G43-19G217-FA	Quick reference guide, Japanese	1	-

-	9G43-19G217-GA	Quick reference guide, Arabic	1	-
-	9G43-19G217-HA	Quick reference guide, American	1	-
-	9G43-19G217-JA	Quick reference guide, Australian	1	-
-	9G43-19G217-KA	Quick reference guide, Portuguese	1	-
-	9G43-19G217-LA	Quick reference guide, French Canadian	1	-
-	9G43-19G217-MA	Quick reference guide, Russian	1	-
-	9G43-19G217-NA	Quick reference guide, South Africa	1	-
-	9G43-19G217-PA	Quick reference guide, Greece	1	-
-	9G43-19G217-RA	Quick reference guide, Chinese	1	-
2	4G43-40-10671	Duplicate DB9 Owners Manual, English	1	07MY
-	4G43-40-10709	Duplicate DB9 Owners Manual, English	1	08MY
-	4G43-40-10722	Duplicate DB9 Owners Manual, English	1	09MY
-	4G43-40-10672	Duplicate DB9 Owners Manual, French	1	07MY
-	4G43-40-10710	Duplicate DB9 Owners Manual, French	1	08MY
-	4G43-40-10723	Duplicate DB9 Owners Manual, French	1	09MY
-	4G43-40-10673	Duplicate DB9 Owners Manual, German	1	07MY
-	4G43-40-10711	Duplicate DB9 Owners Manual, German	1	08MY
-	4G43-40-10724	Duplicate DB9 Owners Manual, German	1	09MY
-	4G43-40-10674	Duplicate DB9 Owners Manual, Italian	1	07MY
-	4G43-40-10712	Duplicate DB9 Owners Manual, Italian	1	08MY
-	4G43-40-10725	Duplicate DB9 Owners Manual, Italian	1	09MY
-	4G43-40-10675	Duplicate DB9 Owners Manual, Spanish	1	07MY
-	4G43-40-10713	Duplicate DB9 Owners Manual, Spanish	1	08MY
-	4G43-40-10726	Duplicate DB9 Owners Manual, Spanish	1	09MY
-	4G43-40-10676	Duplicate DB9 Owners Manual, Japanese	1	07MY
-	4G43-40-10714	Duplicate DB9 Owners Manual, Japanese	1	08MY
-	4G43-40-10727	Duplicate DB9 Owners Manual, Japanese	1	09MY
-	4G43-40-10677	Duplicate DB9 Owners Manual, Arabic	1	07MY
-	4G43-40-10715	Duplicate DB9 Owners Manual, Arabic	1	08MY
-	4G43-40-10728	Duplicate DB9 Owners Manual, Arabic	1	09MY
-	4G43-40-10678	Duplicate DB9 Owners Manual, American	1	07MY
-	4G43-40-10716	Duplicate DB9 Owners Manual, American	1	08MY
-	4G43-40-10729	Duplicate DB9 Owners Manual, American	1	09MY
-	4G43-40-10679	Duplicate DB9 Owners Manual, Australian	1	07MY
-	4G43-40-10717	Duplicate DB9 Owners Manual, Australian	1	08MY
-	4G43-40-10730	Duplicate DB9 Owners Manual, Australian	1	09MY
-	4G43-40-10680	Duplicate DB9 Owners Manual, Portuguese	1	07MY
-	4G43-40-10718	Duplicate DB9 Owners Manual, Portuguese	1	08MY
-	4G43-40-10731	Duplicate DB9 Owners Manual, Portuguese	1	09MY
-	4G43-40-10681	Duplicate DB9 Owners Manual, French Canadian	1	07MY
-	4G43-40-10719	Duplicate DB9 Owners Manual, French Canadian	1	08MY

-	4G43-40-10732	Duplicate DB9 Owners Manual, French Canadian	1	09MY
-	4G43-40-10720	Duplicate DB9 Owners Manual, Russian	1	08MY
-	4G43-40-10733	Duplicate DB9 Owners Manual, Russian	1	09MY
-	4G43-40-10721	Duplicate DB9 Owners Manual, South Africa	1	08MY
-	4G43-40-10734	Duplicate DB9 Owners Manual, South Africa	1	09MY
-	4G43-40-11014	Duplicate DB9 Owners Manual, Greece	1	08MY
-	4G43-40-10994	Duplicate DB9 Owners Manual, Greece	1	09MY
-	4G43-40-10995	Duplicate DB9 Owners Manual, Chinese	1	09MY
-	4G43-40-11013	Duplicate DB9 Owners Manual, Dutch	1	09MY

DB9
01 BODY SYSTEM



October 2008
010100-B1
Body, Coupe

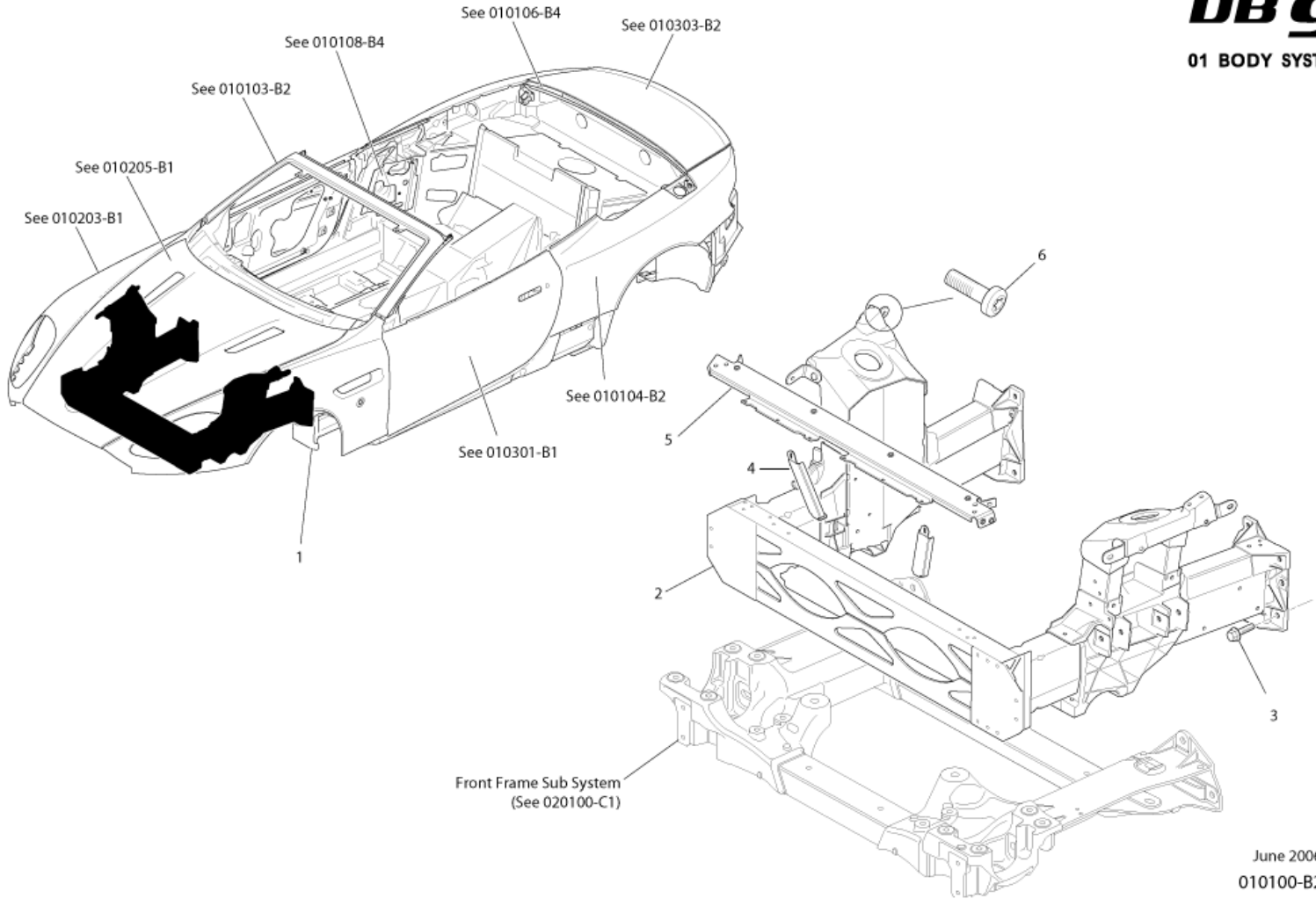
Body, Coupe & Bodyshop Consumables

Item	Part Number	Description	Qty	Remarks
1	4G43-60-10232	BIW with all closures	1	COUPE
2	8G43-CSA01-AA	Sub assy 01, Coupe	1	07MY - Chassis plate required
-	8G43-CSA01-GA	Sub assy 01, Coupe	1	08MY - Chassis plate required
3	701241	Bolt, fig, M12 x 40	8	-
4	4G43-10072-AD	Reinf, front strut mounting, RH	1	-
-	4G43-10073-AD	Reinf, front strut mounting, LH	1	-
5	8G43-10853-GB	Crossmember, front, lateral mounting	1	-
-	703203	Bolt, M6 x 20	4	-
6	702841	Screw, M10 x 30	4	-
-	4G43-130A32-AB	Bracket, front S/M to shock tower	2	-
-	4G43-10594-AB	Bracket, shotgun to shock tower>	4	-
		CONSUMABLES & ADHESIVES	-	-
-	700484	MA300 Structural Plexus Adhesive, 500ml	1	-Can be used for plastic repair

-	700481	Sealant Sikaflex 221 Unipak, 400ml	1	-Body wipe sealant
-	700474	Dow GS Pro Foam can, 750ml	1	-Body cavity foam
-	699302	Adhesive Betamate 2700, 580ml	1	-
-	700774	Betamate 2096 200ml Cartridge , 200ml	1	-
-	699501	Betaprime 5404, 250ml	1	-
-	8D33-M11B24-AA	Zymol wax Z503, 16oz (473ml)	1	-Final finish product
-	8D33-M11B2502-AA	Zymol field glaze CS1993, 8oz	1	-Final finish product
-	704076	Adhesive 7222/9323, 150ml	1	-Structural aluminium adhesive
-	700784	Betawipe VP 4604, 250ml	1	-
-	699500	Betaclean 3900, 1ltr	1	-
-	704496	Storm Black tinter	1	Premixed, 2 ltr minimum order quantity

DB9

01 BODY SYSTEM



June 2006
010100-B2
Body, Volante

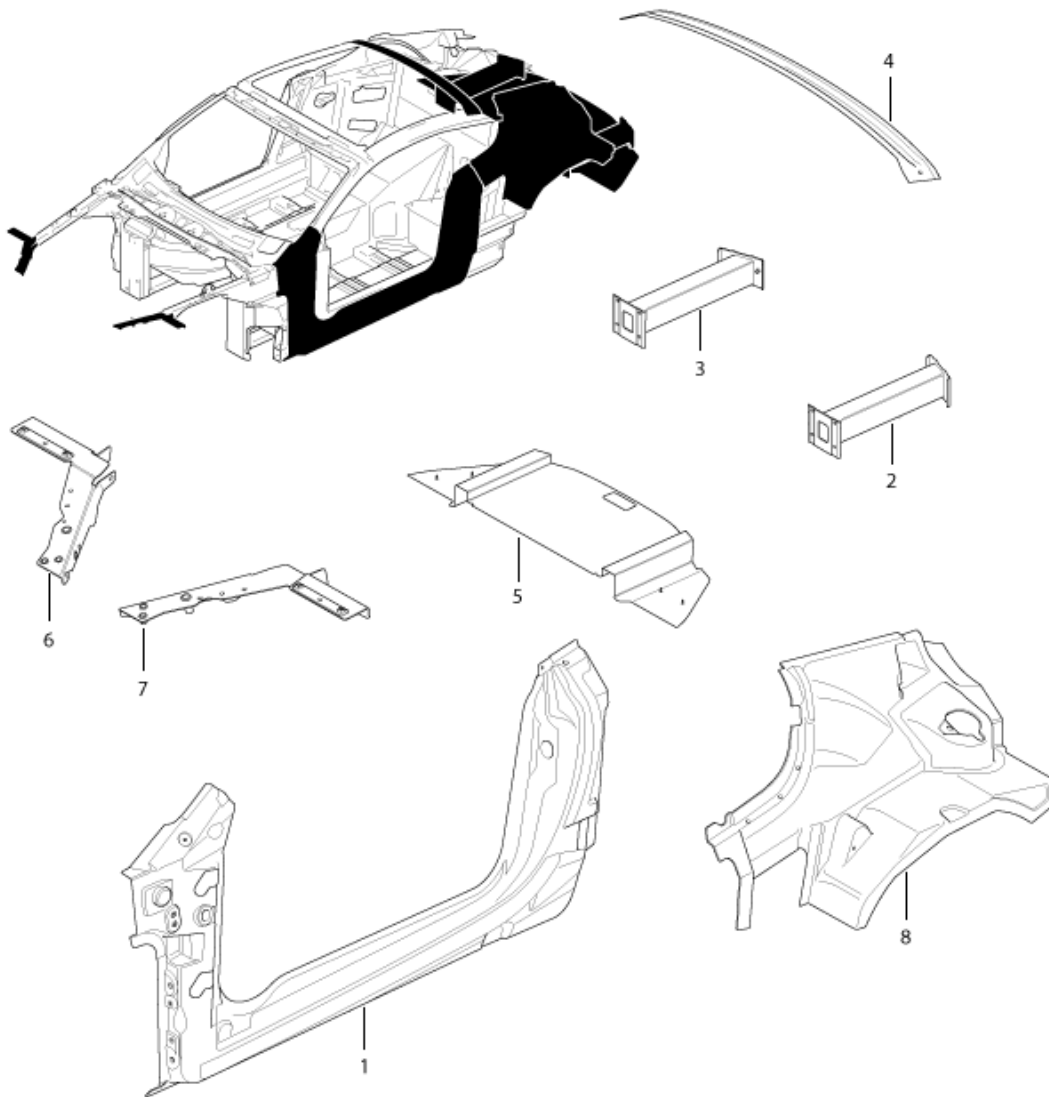
Body, Volante

Item	Part Number	Description	Qty	Remarks
1	4G43-60-10238	BIW with all closures	1	VOLANTE
2	8G43-LSA01-GA	Sub assy, 01 Volante	1	Chassis plate required
3	701241	Bolt, flg, M12 x 40	8	-
4	4G43-10072-AB	Reinf, front strut mounting, RH	1	-
-	4G43-10073-AB	Reinf, front strut mounting, LH	1	-
5	4G43-10853-AF	Crossmember, front, lateral mounting	1	-
-	700099	Bolt, M6 x 20	4	-
6	702219	Screw, M10 x 30	4	-
-	4G43-130A32-AB	Bracket, front S/M to shock tower	2	-
-	4G43-10594-AB	Bracket, shotgun to shock tower	4	-

[Contents](#)

DB9 - BODY SYSTEM

DB9
01 BODY SYSTEM



July 2007
010101-B1
Body Components, Coupe

Body Components, Coupe

Item	Part Number	Description	Qty	Remarks
-	4G43-60-10233	Body (without Closures)	1	-
1	4G43-C20413-AM	Reinf, door opening frame, LH	1	-
-	4G43-C20412-AM	Reinf, door opening frame, RH	1	-
2	8G43-17F035-AA	Absorber assy bumper rear, LH	1	-
3	8G43-17F034-AA	Absorber assy bumper rear, RH	1	-
-	701664	Screw, flg M8 x 25	8	-
4	4G43-C42220-AB	Upper frame, rear glass	1	-

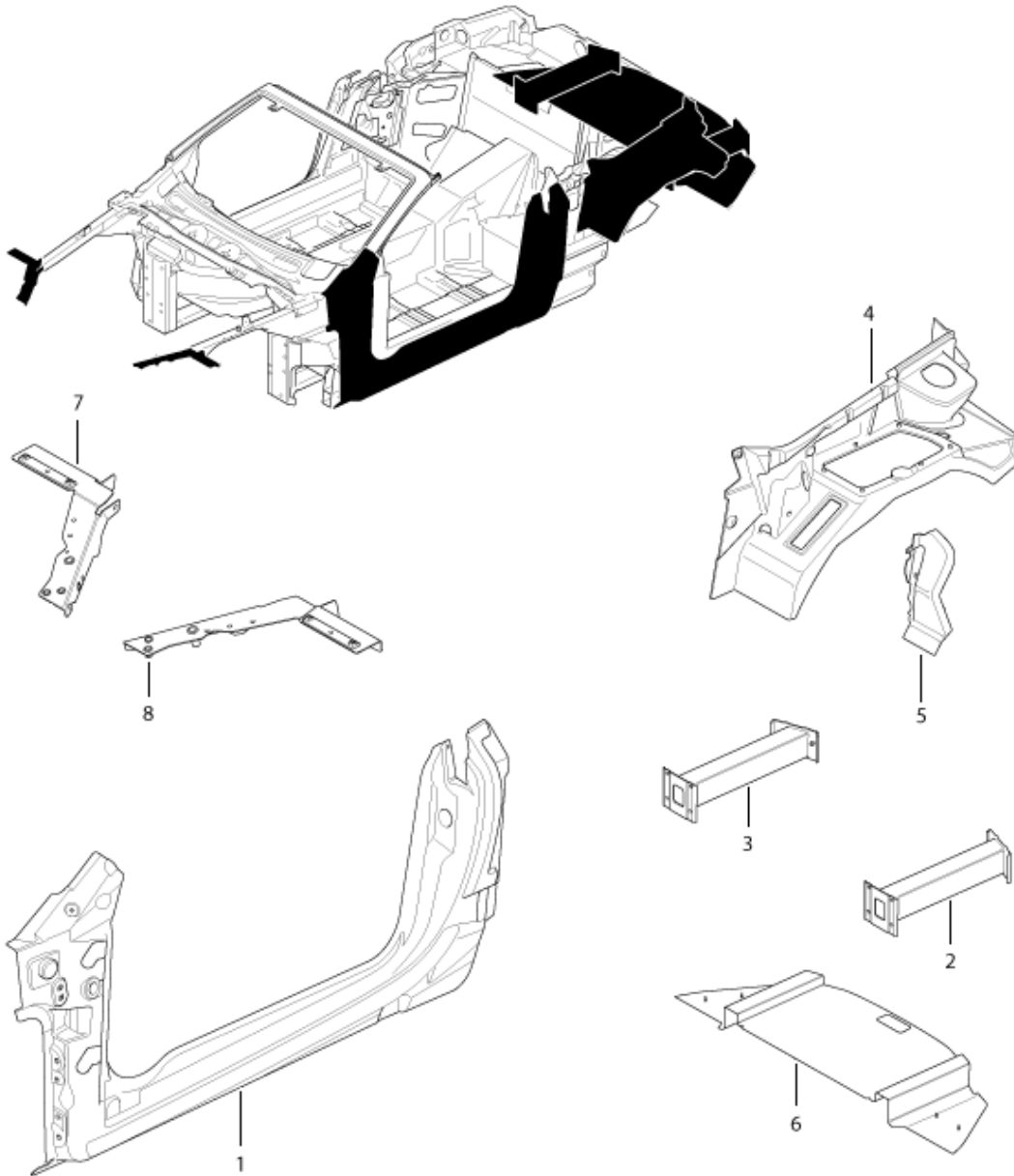
5	8G43-47124-AA	Trunk floor panel	1	-
6	8G43-16430-AA	Reinf, hood striker plate, RH	1	-
7	8G43-16431-AA	Reinf, hood striker plate, LH	1	-
8	4G43-C41033-AJ	Rear Quarter Inner assy, LH	1	-
-	7G43-C41038-AA	Rear Quarter Inner assy, RH	1	-
-	8G43-10457-AB	Rear floor member LH	1	-
-	8G43-10456-AB	Rear floor member RH	1	-
-	8G43-10120-AA	Member floor sd front	2	07MY
-	8G43-10120-GB	Member floor sd front	2	08MY
-	4G43-434K12-AB	Nutplate, M10, crows foot mounting	1	-
-	GO8G43-16A681-AB	Reinforcement, hood hinge, on body, RH	1	08MY
-	GO8G43-16A682-AB	Reinforcement, hood hinge, on body, LH	1	08MY
-	700126	Screw, flg, M6 x 20 hood reinf att	1	08MY

[Contents](#)

DB9 - BODY SYSTEM

DB9

01 BODY SYSTEM



July 2007
010101-B2
Body Components, VOL

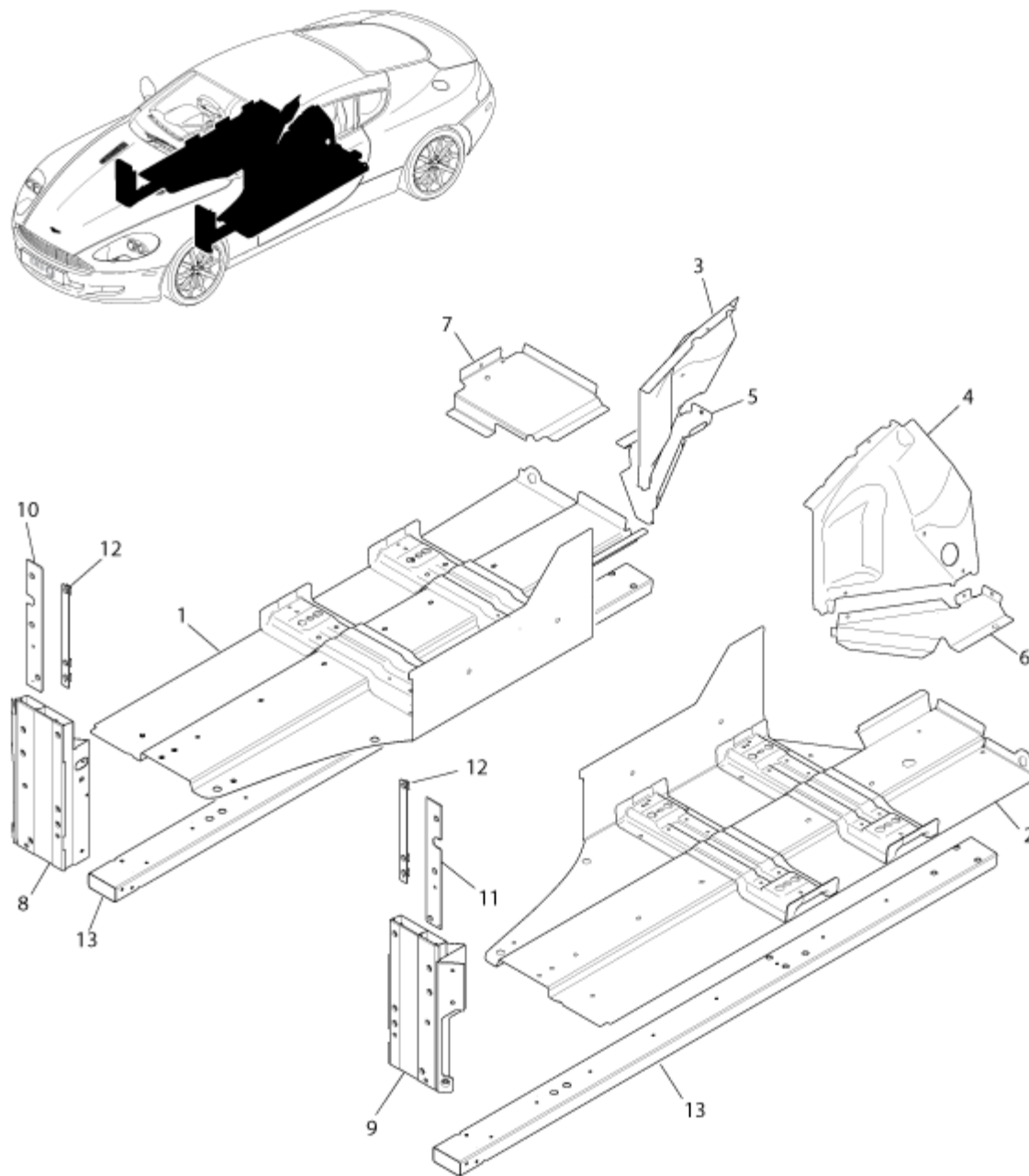
Body Components, Volante

Item	Part Number	Description	Qty	Remarks
-	4G43-60-10233	Body (without Closures)	1	-
1	4G43-L20413-AM	Reinf, door opening frame, LH	1	VOL
-	4G43-L20412-AM	Reinf, door opening frame, RH	1	VOL
2	8G43-17F035-AA	Absorber assy bumper rear, LH	1	-

3	8G43-17F034-AA	Absorber assy bumper rear, RH	1	-
-	701664	Screw, flg M8 x 25	8	-
4	4G43-L41033-AK	Panel, rear corner, LH	1	07MY
-	8G43-L41033-GA	Panel, rear corner, LH	1	08MY
-	4G43-L41038-AH	Panel, rear corner, RH	1	-
5	4G43-28115-AD	Baffle, rear quarter Inner, LH	1	-
-	4G43-28114-AD	Baffle, rear quarter Inner, RH	1	-
6	8G43-47124-AA	Trunk floor panel	1	-
7	8G43-16430-AA	Reinf, hood striker plate, RH	1	-
8	8G43-16431-AA	Reinf, hood striker plate, LH	1	-
-	8G43-10457-AC	Rear floor member, LH	1	-
-	8G43-10456-AC	Rear floor member, RH	1	-
-	8G43-10120-AA	Member floor sd front	2	07MY
-	8G43-10120-GB	Member floor sd front	2	08MY
-	4G43-434K12-AB	Nutplate, M10, crows foot mounting	1	-
-	GO8G43-16A681-AB	Reinforcement, hood hinge, on body, RH	1	08MY
-	GO8G43-16A682-AB	Reinforcement, hood hinge, on body, LH	1	08MY
-	700126	Screw, flg, M6 x 20 hood reinf att	1	08MY

DB9 - BODY SYSTEM

DB9
01 BODY SYSTEM



July 2008
010101-B3
Underbody

Underbody

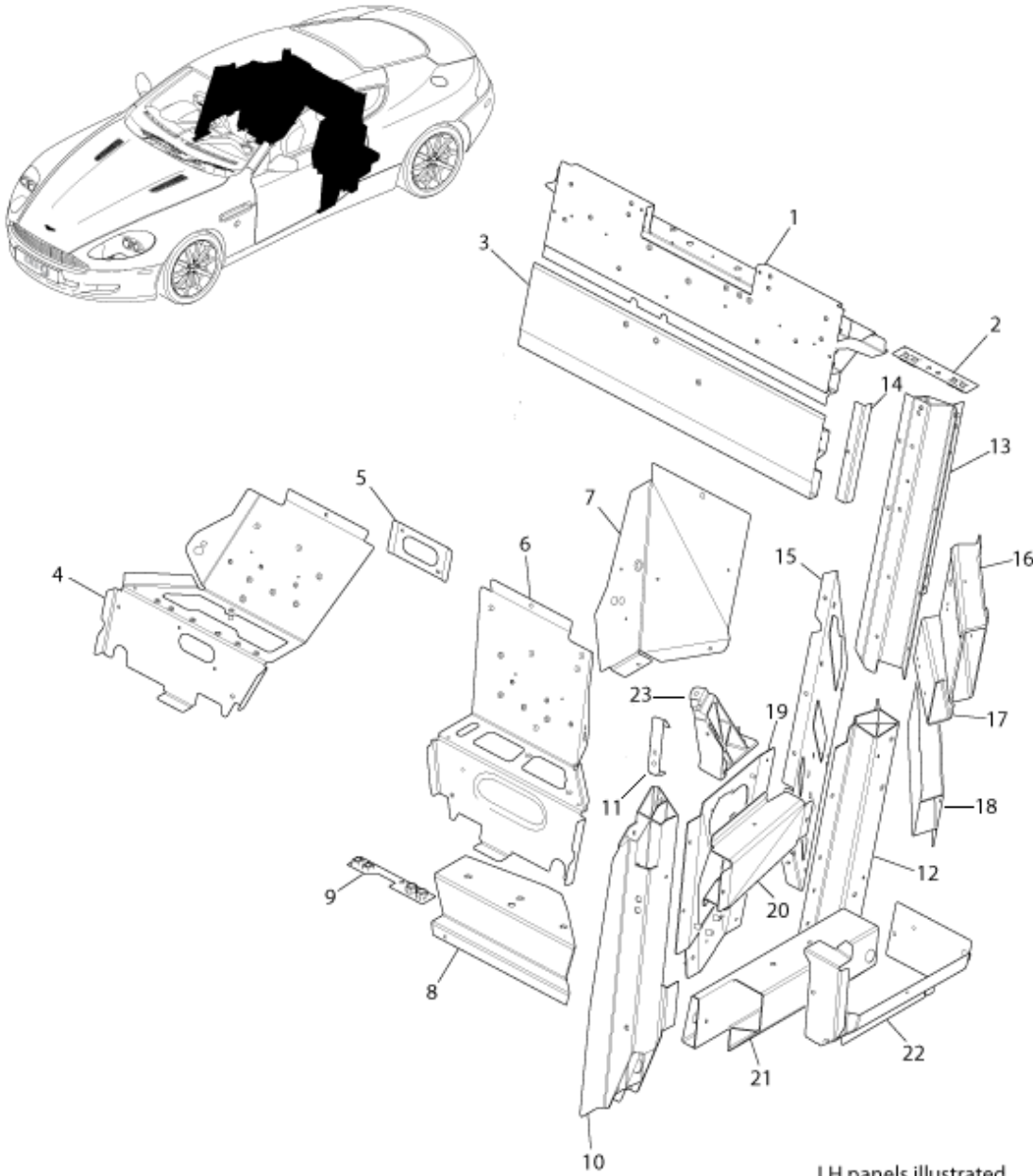
Item	Part Number	Description	Qty	Remarks
1	4G43-16-10879	Panel assy, floor, RH	1	-
2	4G43-16-10880	Panel assy, floor, LH	1	-

3	8G43-13058-AA	Tunnel, rear side, RH	1	-
4	8G43-13059-GA	Tunnel, rear side, LH	1	-
5	8G43-67340-AA	Panel, rear seat heel board, lower, RH	1	-
6	8G43-67341-GA	Panel, rear seat heel board, lower, LH	1	-
7	8G43-67342-AA	Finisher, rear seat heel board lower, RH	1	-
8	4G43-20-10876	Bracket, RH	1	-
9	4G43-20-10877	Bracket, LH	1	-
10	8G43-434K10-AA	Nutplate, front end mount outer, RH	1	-
11	8G43-434K11-AA	Nutplate, front end mount outer, LH	1	-
12	8G43-390725-AA	Nutplate, front end mount inner	2	-
13	8G43-10120-GB	Member, floor, side front	2	-

[Contents](#)

DB9 - BODY SYSTEM

DB9
01 BODY SYSTEM



July 2008
010101-B4
Underbody Rear, Coupe

Underbody Rear, Coupe

Item	Part Number	Description	Qty	Remarks
1	8G43-C103B44-AC	Cross member, rear upper	1	-
2	4G43-501A0-AB	Nutplate, rear retractor	1	-
3	8G43-C10786-AC	Cross member, rear floor, front	1	-

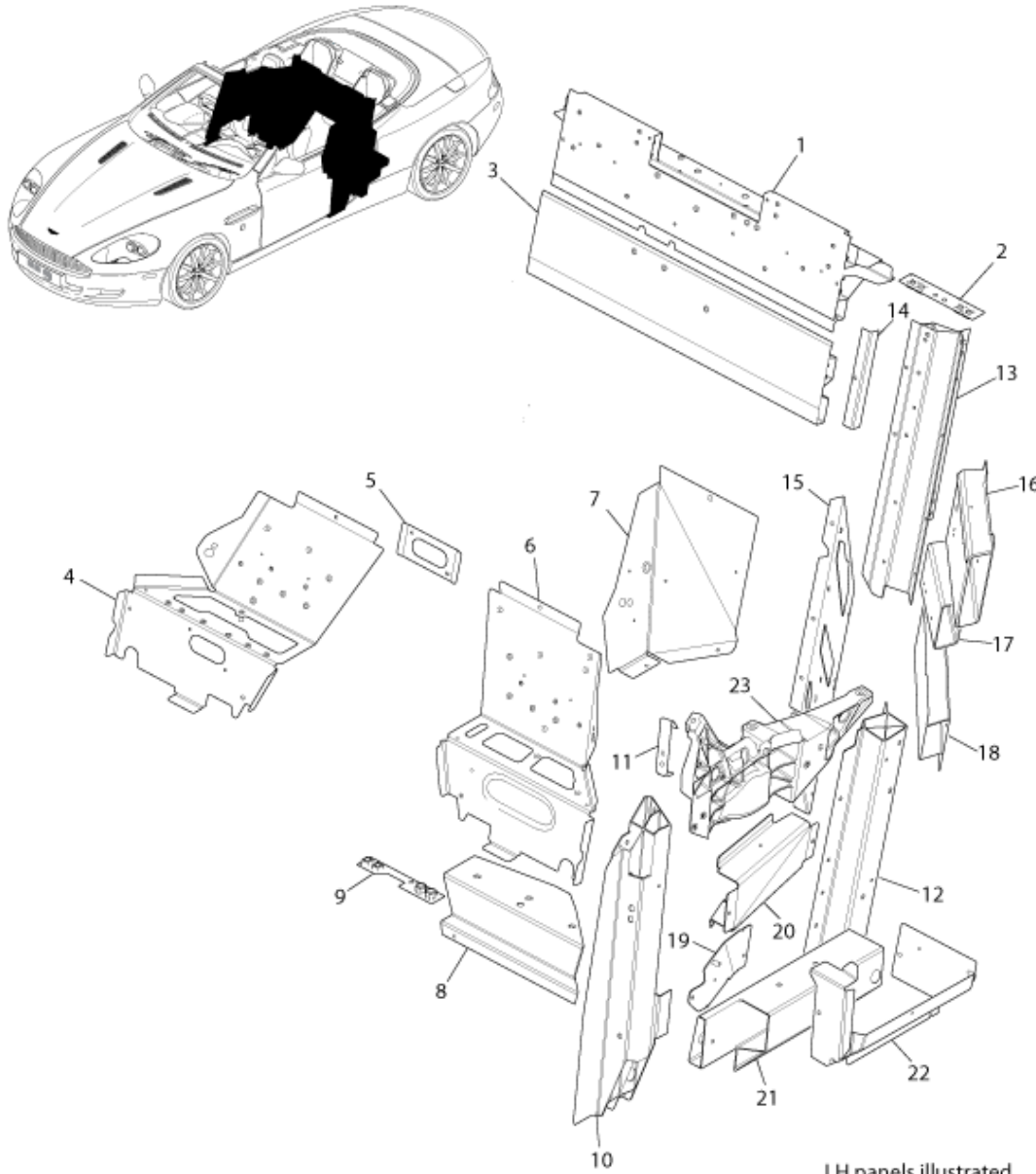
4	8G43-111B22-GB	Reinforced front floor pan, RH	1	-
5	8G43-10765-AB	Bracket, battery hold down clamp	1	-
6	8G43-111B23-GB	Reinforced front floor pan, LH	1	-
7	8G43-10799-AA	Reinforced front floor, centre section, rear, LH	1	-
-	8G43-10798-AA	Reinforced front floor, centre section, rear, RH	1	-
8	8G43-109A69-AB	Cross member, front floor, rear, LH	1	-
-	8G43-109A68-AC	Cross member, front floor, rear, RH	1	-
9	8G43-347863-AA	Nutplate, rear subframe, front, LH	1	-
-	8G43-347864-AA	Nutplate, rear subframe, front, RH	1	-
10	8G43-C24313-AB	Pillar, centre body, LH	1	-
-	8G43-C24312-AB	Pillar, centre body, RH	1	-
11	4G43-C393126-AE	Nutplate, M8, 'B' post	2	-
12	8G43-24315-AA	Pillar, centre body, outer rear, LH	1	-
-	8G43-24314-AA	Pillar, centre body, outer rear, RH	1	-
13	8G43-C24327-AB	Pillar, centre body inner rear, LH	1	-
-	8G43-C24326-AB	Pillar, centre body inner rear, RH	1	-
14	6G33-24320-AB	Reinforced centre body pillar	2	-
15	8G43-27925-AA	Panel, rear quarter inner side, LH	1	-
-	8G43-27924-AA	Panel, rear quarter inner side, RH	1	-
16	8G43-101K93-AC	Member, floor side upper rear, LH	1	-
-	8G43-101K92-AC	Member, floor side upper rear, RH	1	-
17	6G33-10471-AC	Member, floor side inner rear, LH	1	-
-	6G33-10470-AC	Member, floor side inner rear, RH	1	-
18	6G33-10505-AC	Member, extension floor side lower rear, LH	1	-
-	6G33-10504-AC	Member, extension floor side lower rear, RH	1	-
19	8G43-C24577-GD	Panel, centre body pillar, LH	1	-
-	8G43-C24576-GC	Panel, centre body pillar, RH	1	-
20	P08G43-C101D09-AC	Extension member, rear floor side upper, LH	1	-
-	P08G43-C101D08-AC	Extension member, rear floor side upper, RH	1	-
21	8G43-101D07-GB	Extension member, rear floor side lower, LH	1	-
-	8G43-101D06-GB	Extension member, rear floor side lower, RH	1	-
22	8G43-C20415-AC	Pan, reinforced door opening rear, LH	1	-
-	8G43-C20414-AC	Pan, reinforced door opening rear, RH	1	-
23	8G43-611D39-AA	Bracket assy, front seat belt retainer, LH	1	-
-	8G43-611D38-AA	Bracket assy, front seat belt retainer, RH	1	-

[Contents](#)

DB9 - BODY SYSTEM

DB9

01 BODY SYSTEM



LH panels illustrated

July 2008

010101-B5

Underbody Rear, Volante

Underbody Rear, Volante

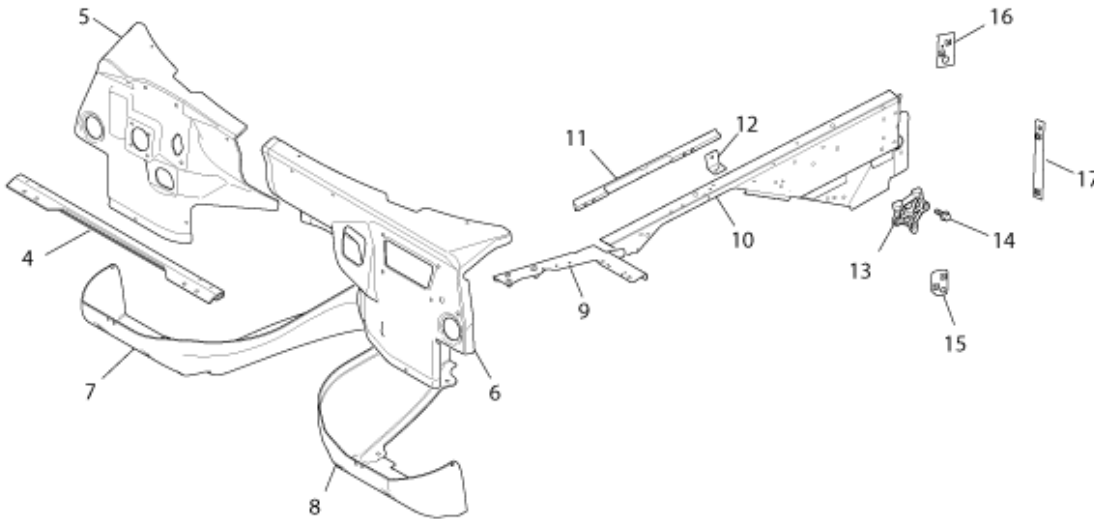
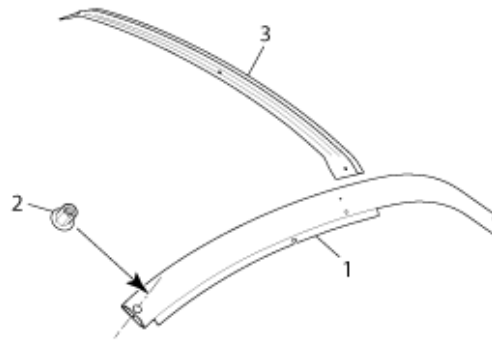
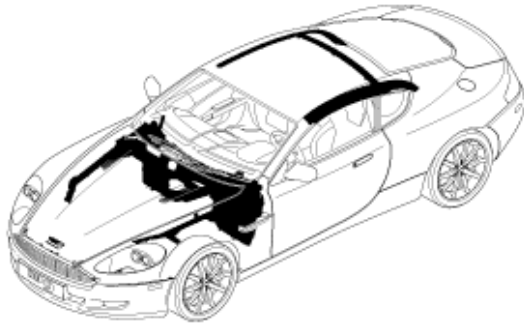
Item	Part Number	Description	Qty	Remarks
1	8G43-C103B44-AC	Cross member, rear upper	1	-
2	4G43-501A0-AB	Nutplate, rear retractor	1	-
3	8G43-C10786-AC	Cross member, rear floor, front	1	-
4	8G43-111B22-GB	Reinforced front floor pan, RH	1	-

5	8G43-10765-AB	Bracket, battery hold down clamp	1	-
6	8G43-111B23-GB	Reinforced front floor pan, LH	1	-
7	8G43-10799-AA	Reinforced front floor, centre section, rear, LH	1	-
-	8G43-10798-AA	Reinforced front floor, centre section, rear, RH	1	-
8	8G43-109A69-AB	Cross member, front floor, rear, LH	1	-
-	8G43-109A68-AC	Cross member, front floor, rear, RH	1	-
9	8G43-347863 -AA	Nutplate, rear subframe, front, LH	1	-
-	8G43-347864-AA	Nutplate, rear subframe, front, RH	1	-
10	8G43-C24313-AB	Pillar, centre body, LH	1	-
-	8G43-C24312-AB	Pillar, centre body, RH	1	-
11	4G43-C393126-AE	Nutplate, M8, 'B' post	2	-
12	8G43-24315-AA	Pillar, centre body, outer rear, LH	1	-
-	8G43-24314-AA	Pillar, centre body, outer rear, RH	1	-
13	8G43-C24327-AB	Pillar, centre body inner rear, LH	1	-
-	8G43-C24326-AB	Pillar, centre body inner rear, RH	1	-
14	6G33-24320-AB	Reinforced centre body pillar	2	-
15	8G43-27925-AA	Panel, rear quarter inner side, LH	1	-
-	8G43-27924-AA	Panel, rear quarter inner side, RH	1	-
16	8G43-101K93-AC	Member, floor side upper rear, LH	1	-
-	8G43-101K92-AC	Member, floor side upper rear, RH	1	-
17	6G33-10471-AC	Member, floor side inner rear, LH	1	-
-	6G33-10470-AC	Member, floor side inner rear, RH	1	-
18	6G33-10505-AC	Member, extension floor side lower rear, LH	1	-
-	6G33-10504-AC	Member, extension floor side lower rear, RH	1	-
19	8G43-L24577-AA	Panel, centre body pillar, LH	1	-
-	8G43-L24576-AA	Panel, centre body pillar, RH	1	-
20	8G43-C101D09-AC	Extension member, rear floor side upper, LH	1	-
-	8G43-C101D08-AC	Extension member, rear floor side upper, RH	1	-
21	8G43-101D07-GB	Extension member, rear floor side lower, LH	1	-
-	8G43-101D06-GB	Extension member, rear floor side lower, RH	1	-
22	8G43-C20415-AC	Pan, reinforced door opening rear, LH	1	-
-	8G43-C20414-AC	Pan, reinforced door opening rear, RH	1	-
23	8G43-L243A61-AB	Reinforced centre body upper outer pillar centre, LH	1	-
-	8G43-L243A60-AB	Reinforced centre body upper outer pillar centre, RH	1	-

DB9 - BODY SYSTEM

DB9

01 BODY SYSTEM



LHD ILLUSTRATED

June 2008

010102-B1

Body Dash and Cowl - RHD/LHD

Body Dash and Cowl - RHD/ LHD

Item	Part Number	Description	Qty	Remarks
1	8G43-C513A08-AA	Reinforced roof side rail, LH	1	-
-	8G43-C513A07-AA	Reinforced roof side rail, RH	1	-
2		Nut, M6	2	-
3	8G43-C42220-AB	Frame, back window, upper	1	-

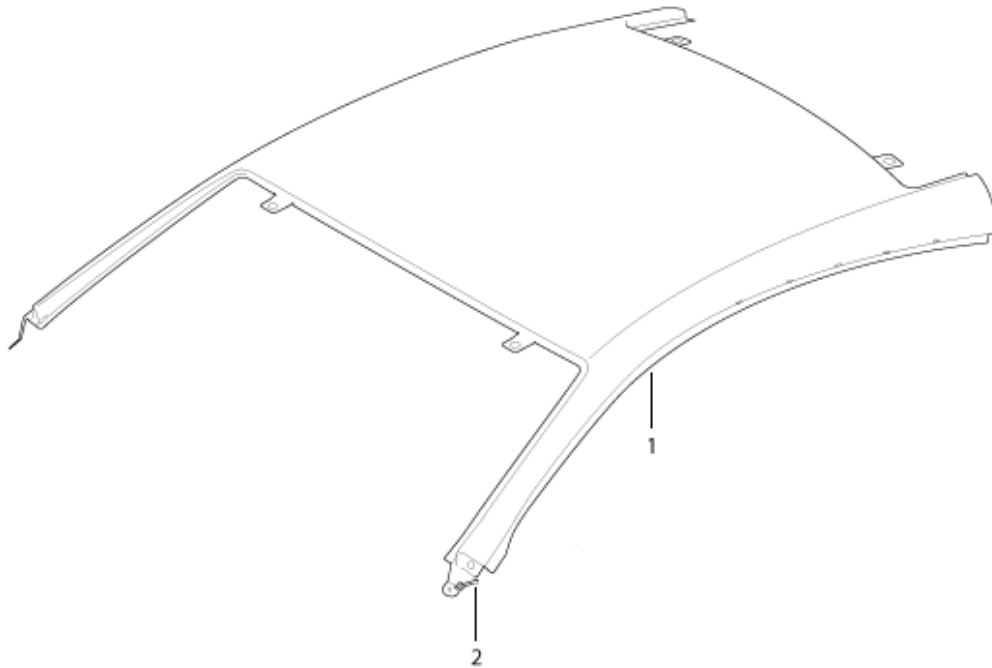
4	6G33-10414-AB	Member, front cross at dash	1	-
5	6G33-F01760-AC	Panel, dash upper, RH, LHD	1	-
-	6G33-F01760-BC	Panel, dash upper, RH, RHD	1	-
6	6G33-F01761-AC	Panel, dash upper, LH, LHD	1	-
-	6G33-F01761-AD	Panel, dash upper, LH, RHD	1	-
7	6G33-F01612-AC	Panel, dash side, RH	1	-
-	9G33-F01612-AB	Panel, dash side, RH	1	09MY
8	6G33-F01613-AC	Panel, dash side, LH	1	-
9	8G43-16431-AA	Reinforced hood striker plate, LH	1	-
-	8G43-16430-AA	Reinforced hood striker plate, RH	1	-
10	4G43-20-10882	Extusion, front fender apron, LH	1	-
-	4G43-20-10881	Extusion, front fender apron, RH	1	-
11	6G33-17F790-AC	Nutplate, M10	2	-
12	6G33-C18178-AB	Bracket, gas damper mounting	2	-
13	8G43-16A682-AA	Reinforced hood hinge on body, LH	1	-
-	8G43-16A681-AA	Reinforced hood hinge on body, RH	1	-
14	700607	Screw, flg, M6 x 20	6	-
15	6G33-15111-AA	Nutplate M8, 'A' post hinge, lower, LH	1	-
-	6G33-15110-AA	Nutplate M8, 'A' post hinge, lower, RH	1	-
16	6G33-94545-AA	Nutplate M8, 'A' post hinge, upper, LH	1	-
-	6G33-71490-AA	Nutplate M8, 'A' post hinge, upper, RH	1	-
17	6G33-486226-AA	Nutplate M8, IP beam	2	-

[Contents](#)

DB9 - BODY SYSTEM

DB9

01 BODY SYSTEM



March 2008
010103-B1
Roof Coupe

Roof, Coupe

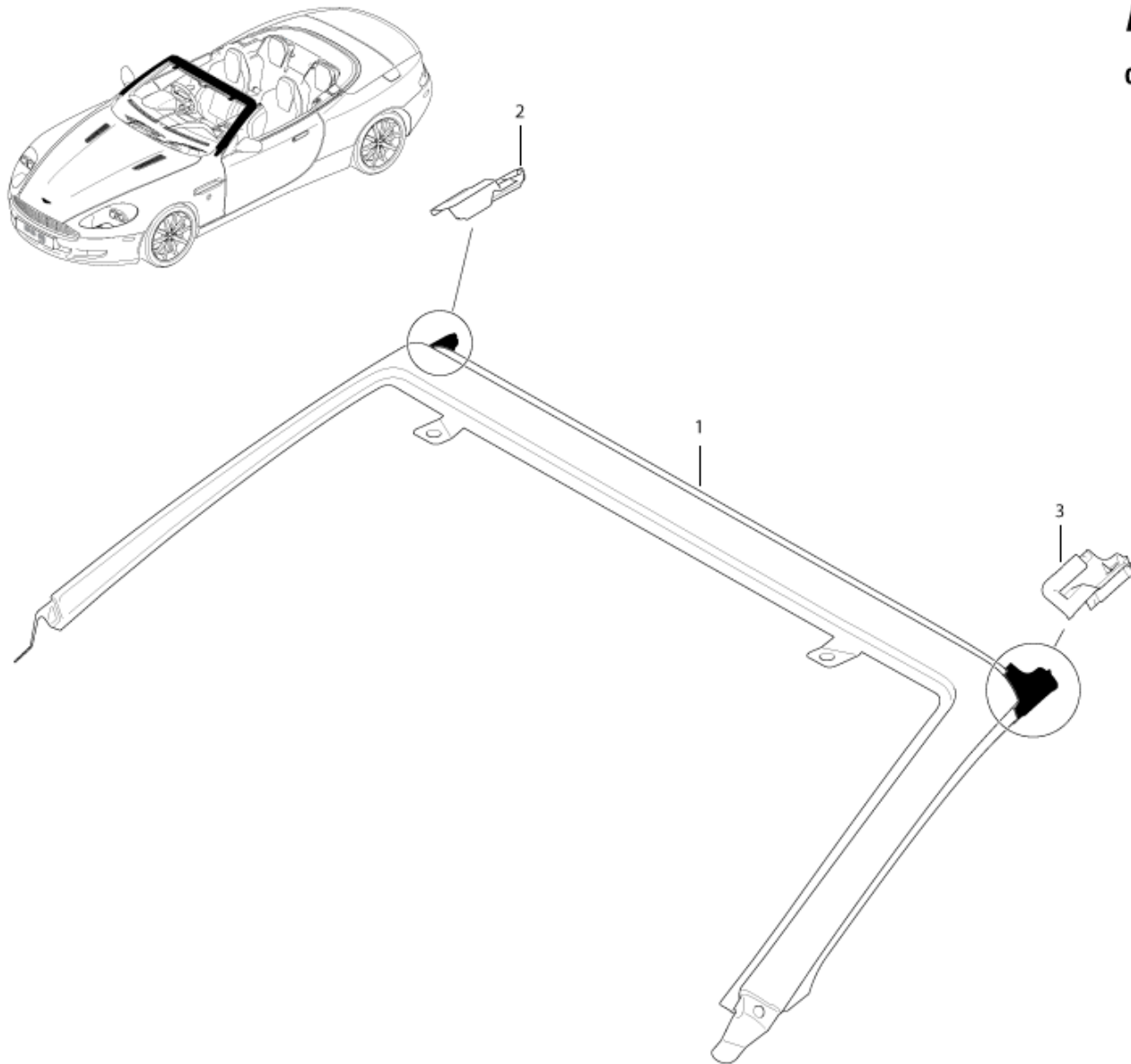
Item	Part Number	Description	Qty	Remarks
1	4G43-C50202-AJ	Panel, front roof outer, Coupe	1	-
2	701430	Rivet	2	-
-	8D33-68885-AA	Rivset spring	4	C-pillar joint to BIW

[Contents](#)

DB9 - BODY SYSTEM

DB9

01 BODY SYSTEM



July 2007
010103-B2
Roof Convertible

Roof Convertible

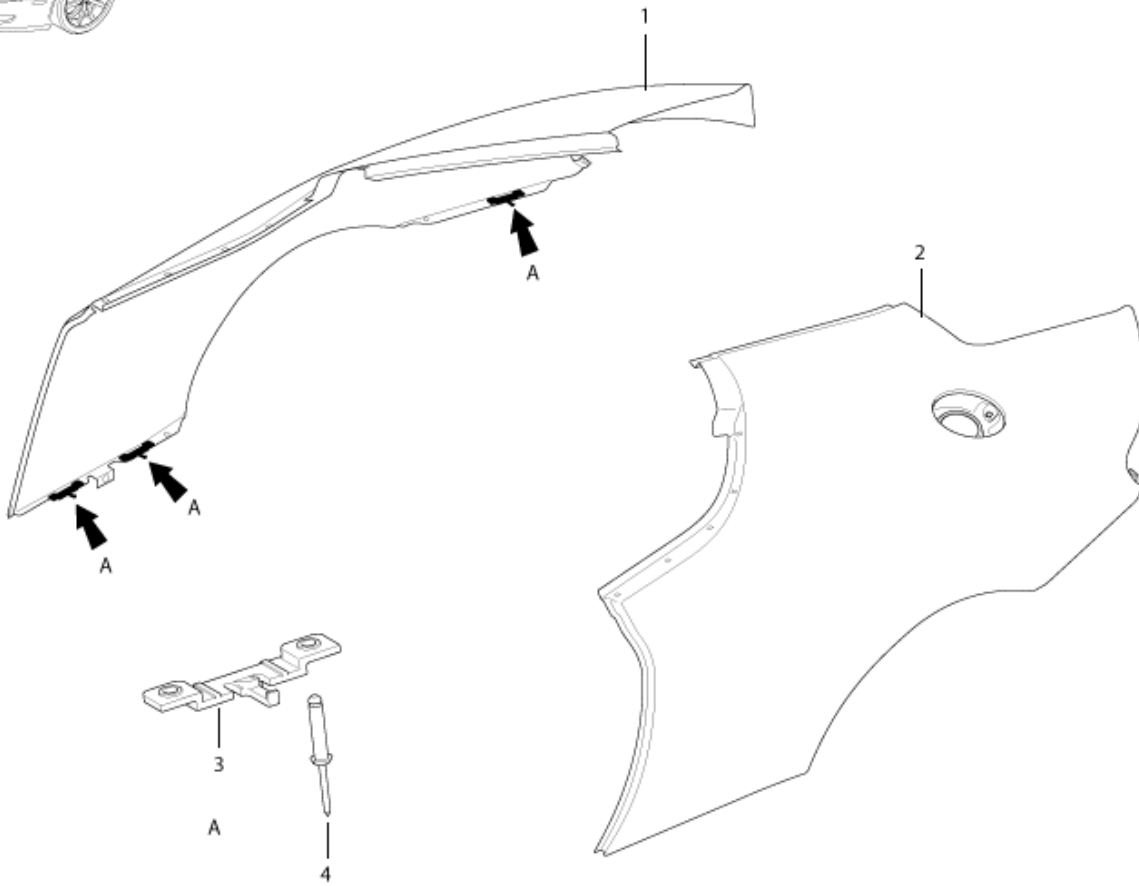
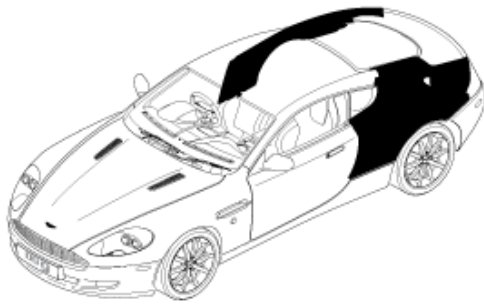
Item	Part Number	Description	Qty	Remarks
1	4G43-L03056-AG	Front windshield outer	1	-
2	4G43-54246A34-AB	Upper seal carrier, RH	1	Bonded
3	4G43-54246A35-AB	Upper seal carrier, LH	1	Bonded

[Contents](#)

DB9 - BODY SYSTEM

DB9

01 BODY SYSTEM



July 2006
010104-B1
Panel Body Side

Panel Body Side

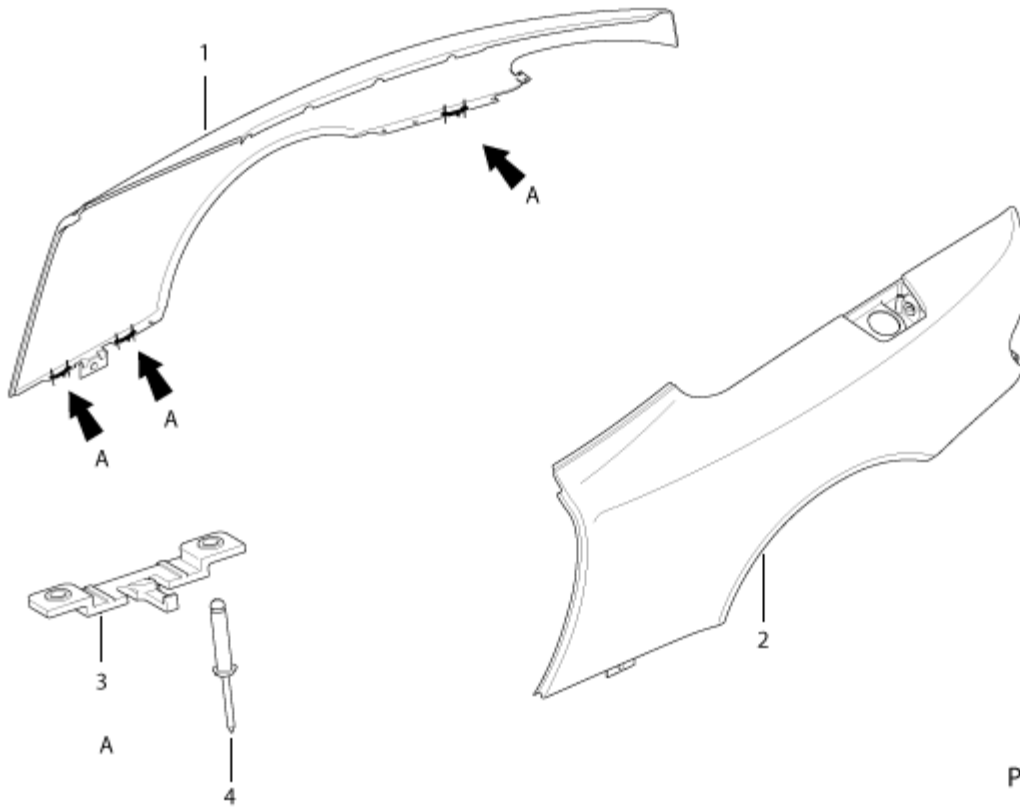
Item	Part Number	Description	Qty	Remarks
1	4G43-C27846-AL	Panel, body side rear, RH	1	Coupe
2	4G43-C1876-AJ	Panel assy, body side rear, LH	1	Coupe
3	4G43-023A50-AB	Clip, sill mounting	4	-
4	701580	Rivet, dome head	8	-

[Contents](#)

DB9 - BODY SYSTEM



DB9
01 BODY SYSTEM



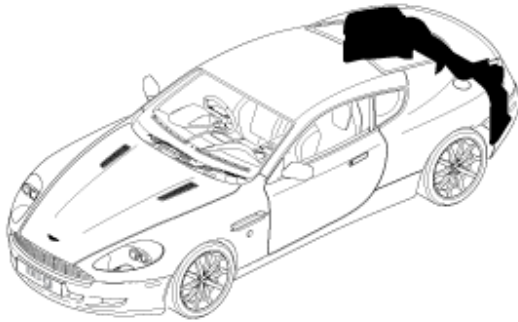
July 2007
010104-B2
Panel Body Side, Volante

Panel Body Side, Volante

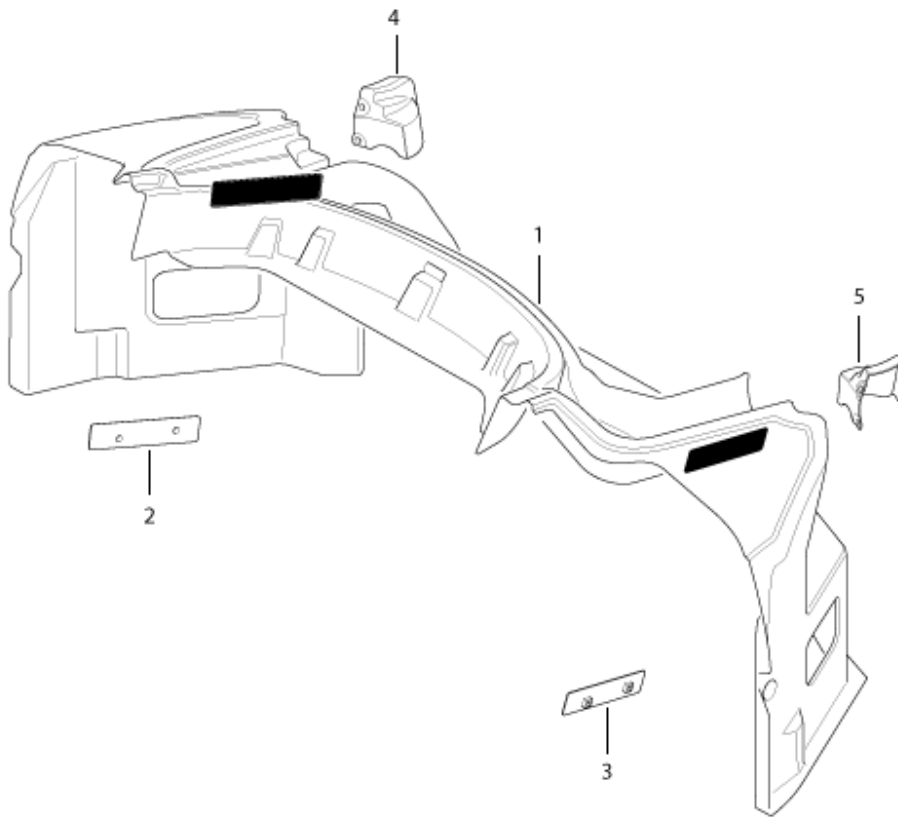
Item	Part Number	Description	Qty	Remarks
1	4G43-L27846-AL	Panel, body side rear, RH, convertible	1	Convertible
2	4G43-L1876-AJ	Panel assy, body side rear, LH, convertible	1	Convertible

3	4G43-023A50-AB	Clip, sill mounting	4	-
4	701580	Rivet, dome head	8	-

DB9 - BODY SYSTEM



DB9
01 BODY SYSTEM



July 2007
010106-B3
Body Rear End Composite, Coupe

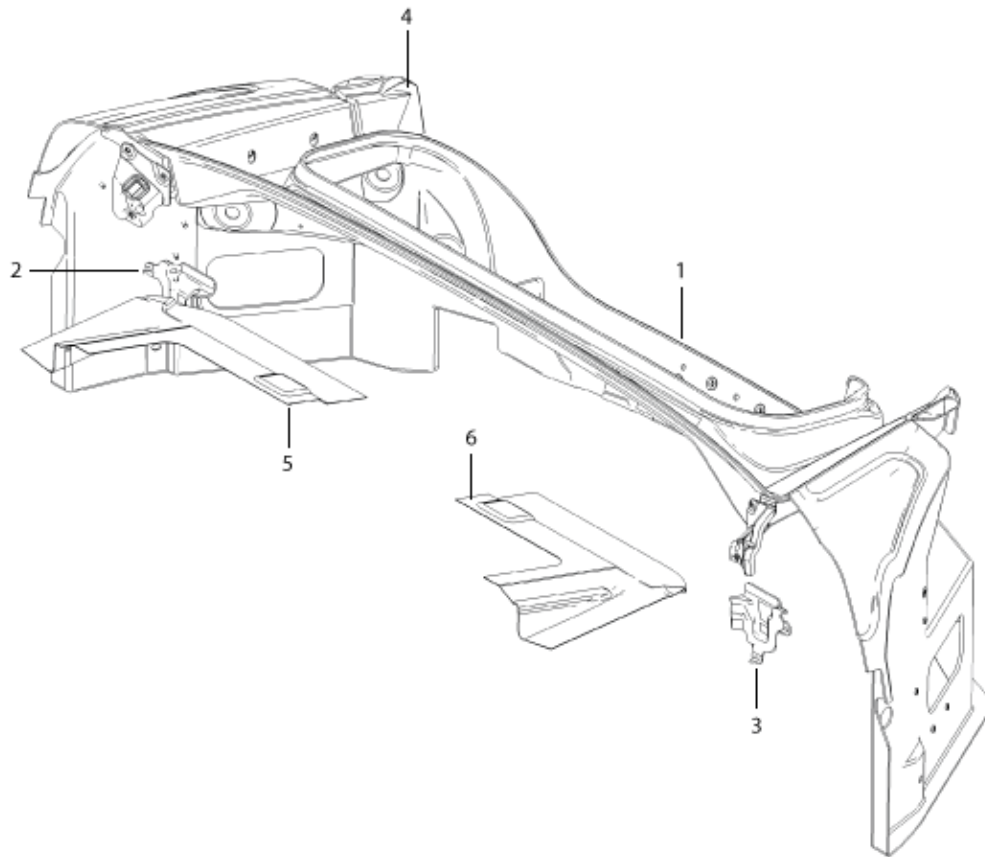
Body Rear End Composite, Coupe

Item	Part Number	Description	Qty	Remarks
1	4G43-C45108-AR	Front surround, trunk lid	1	07MY
-	8G43-C45108-AA	Front surround, trunk lid	1	08MY
2	4G43-C42764-AG	Support bracket, decklid hinge mounting	1	-
3	4G43-C42764-AG	Support bracket, decklid hinge mounting	1	-

4	4G43-C40738-AE	Filler, tail gate lower panel, RH	1	-
5	4G43-C40739-AE	Filler, tail gate lower panel, LH	1	-

DB9

01 BODY SYSTEM



July 2007

010106-B4

Body Rear End Composite, VOLANTE

Body Rear End Composite, Volante

Item	Part Number	Description	Qty	Remarks
1	4G43-L45108-AJ	Surround, trunk lid	1	07MY
1	8G43-L45108-AA	Surround, trunk lid	1	08MY
-	4G43-40339-AF	Lower centre panel, LH	1	-
-	4G43-40338-AF	Lower centre panel, RH	1	-

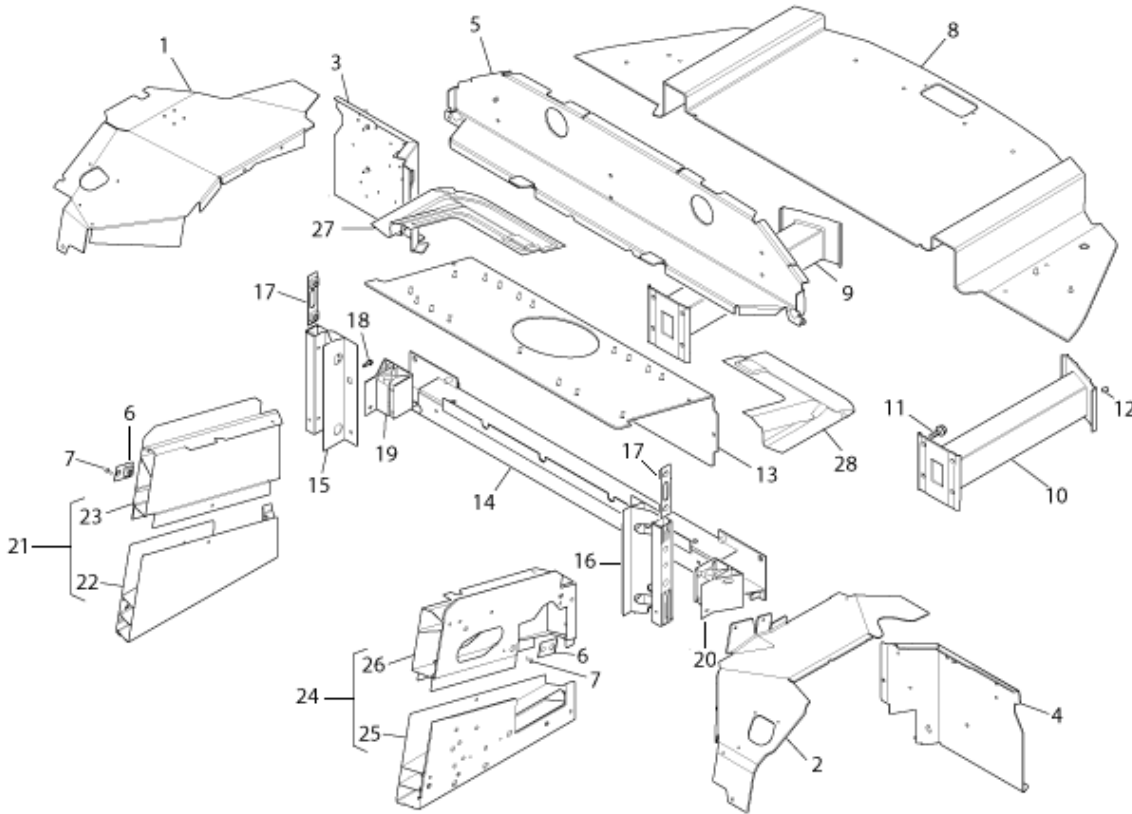
2	4G43-500B30-AC	Tonneau drain, RH	1	-
3	4G43-500B31-AC	Tonneau drain, LH	1	-
-	4G43-C42764-AG	Support bracket, decklid hinge mounting	2	-
4	4G43-L40738-AF	Filler, tail gate panel, RH	1	-
-	4G43-L40739-AF	Filler, tail gate panel, LH	1	-
5	4G43-24442-AB	Cap, centre pillar, RH	1	-
6	4G43-24443-AB	Cap, centre pillar, LH	1	-

[Contents](#)

DB9 - BODY SYSTEM

DB9

01 BODY SYSTEM



June 2008
010106-B5
Body Rear End, Volante

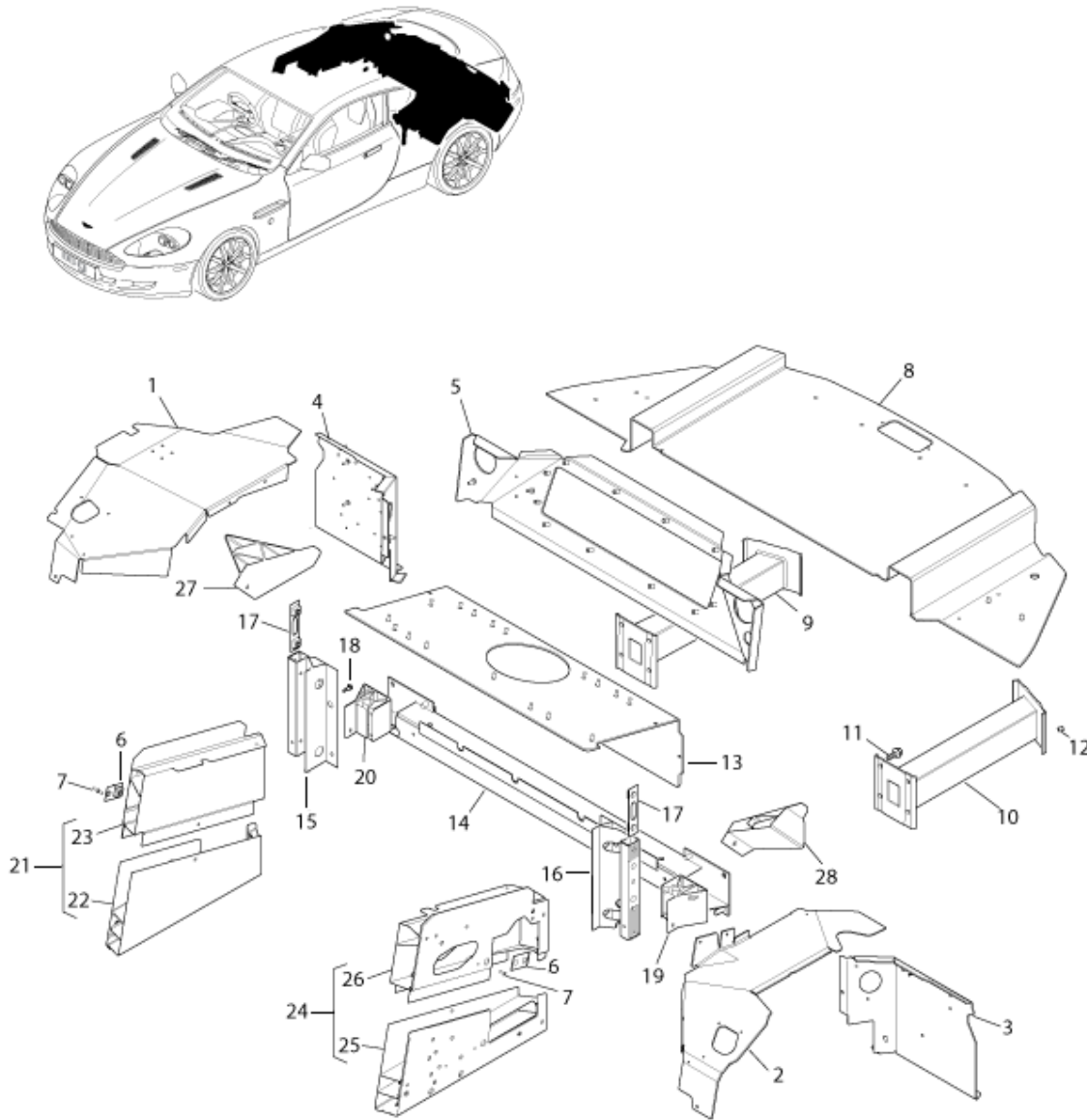
Body Rear End, Volante

Item	Part Number	Description	Qty	Remarks
1	8G43-L279A54-AA	Panel, Quarter Wheel Inner, RH	1	-
2	8G43-L279A55-AB	Panel, Quarter Wheel Inner, LH	1	-
3	9G43-L10514-AC	Panel, Rear Floor Side Outer, RH	1	-
4	8G43-L10515-GA	Panel, Rear Floor Side Outer, LH	1	-

5	8G43-L40334-AA	Panel, Upper Back Centre	1	07MY
-	8G43-L40334-GB	Panel, Upper Back Centre	1	08/9MY
6	6G33-80997-AA	Nutplate, Rear Damper Mounting M12	4	-
7	W525157-S300	Rivet, 4.65 x 13.8	2	-
8	8G43-47124-AA	Panel, Boot Floor	1	-
9	8G43-17F034-AA	ABS Assy, Rear Bumper, RH	1	-
10	8G43-17F035-AA	ABS Assy, Rear Bumper, LH	1	-
11	701664	Screw, M8 x 25 Hex flg head	8	-
12	6G33-56316-AA	Rivnut, M8 flat head knurled	4	-
13	8G43-L278A71-GB	Panel, fuel tank compartment, upper	1	-
14	8G43-40338-AA	Reinforced lower back centre panel	1	-
15	GO8G43-101C84-AA	Bracket, side member rear, RH	1	-
16	GO8G43-101C85-AA	Bracket, side member rear, LH	1	-
17	8G43-334177-AA	Nutplate, Rear Damper Mounting M12	2	-
18	6G33-375732-AA	Screw, 5.5 x 19	4	-
19	P06G33-5A355-AB	Support, sub frame rear, RH	1	-
20	P06G33-5A356-AB	Support, sub frame rear, LH	1	-
21		Member assy, RH	1	-
22	8G43-10456-AC	Member, rear floor side, RH	1	-
23	GO8G43-L10282-AB	Member, rear floor side upper, RH	1	-
24		Member assy, LH	1	-
25	8G43-10457-AC	Member, rear floor side, LH	1	-
26	GO8G43-L10283-AB	Member, rear floor side upper, LH	1	-
27	4G43-24442-AB	Cap, centre body pillar, RH	1	-
28	4G43-24443-AB	Cap, centre body pillar, LH	1	-

DB9

01 BODY SYSTEM



July 2008
010106-B6
Body Rear End, Coupe

Body Rear End, Coupe

Item	Part Number	Description	Qty	Remarks
1	7G43-C279A54-AA	Panel, quarter wheel inner, RH	1	07MY
-	8G43-C279A54-GB	Panel, quarter wheel inner, RH	1	08MY on
2	7G43-C279A55-AA	Panel, quarter wheel inner, LH	1	07MY
-	8G43-C279A55-GA	Panel, quarter wheel inner, LH	1	08MY on
3	8G43-C10514-AB	Panel, rear floor side outer, RH	1	-

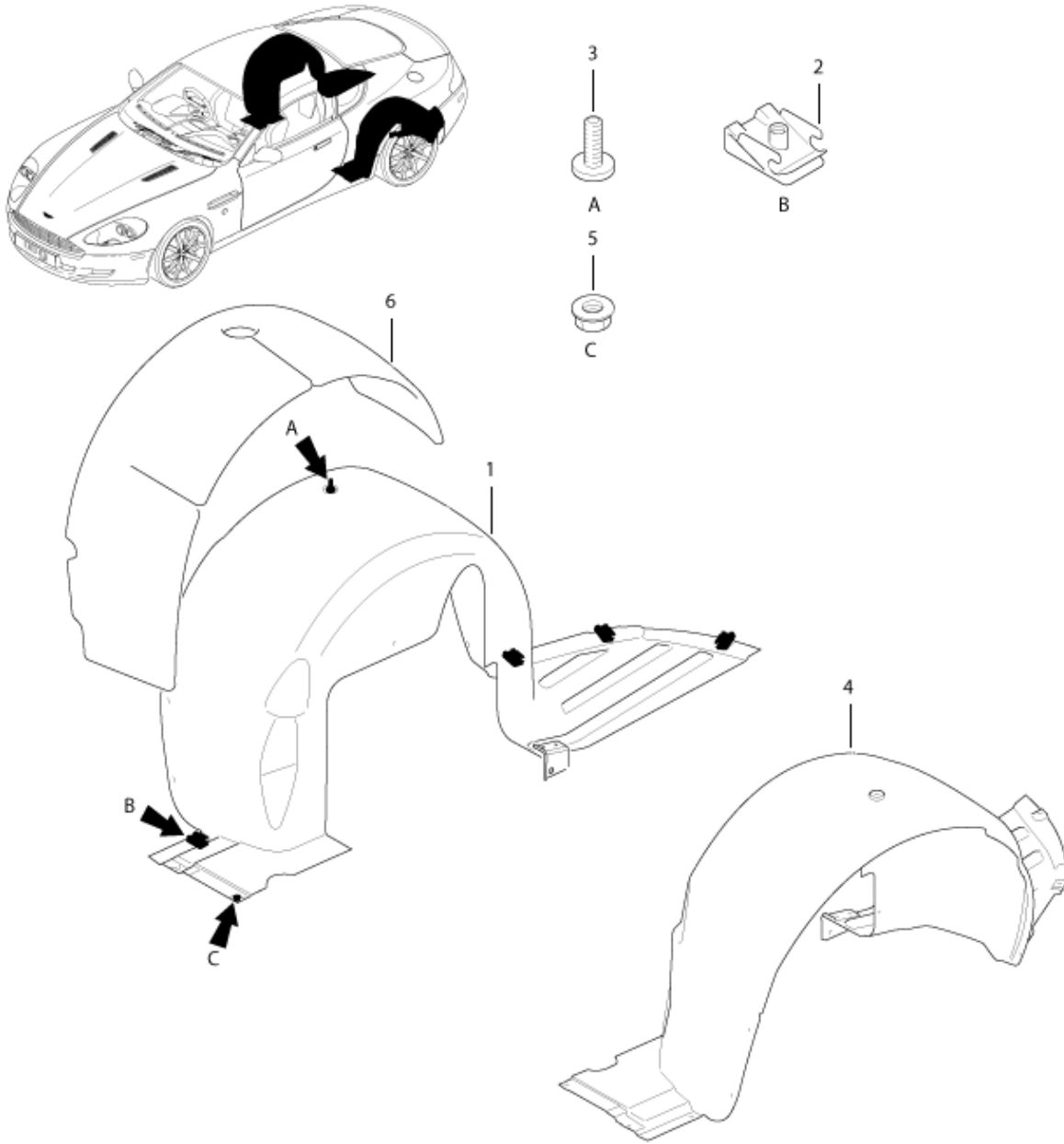
4	8G43-C10515-AA	Panel, rear floor side outer, LH	1	-
5	8G43-C40334-AA	Panel, upper back centre	1	07MY
-	8G43-C40334-GA	Panel, upper back centre	1	08MY
6	6G33-80997-AA	Nutplate, M12, rear damper mounting	4	-
7	W525157-S300	Rivet, 4.65 x 13.8	2	-
8	4G43-47124-AF	Panel, boot floor	1	06/07MY
-	8G43-47124-AA	Panel, boot floor	1	08MY on
9	4G43-17F034-AC	ABS assy, rear bumper, RH	1	06/07MY
-	8G43-17F034-AA	ABS assy, rear bumper, RH	1	08MY on
10	4G43-17F035-AC	ABS assy, rear bumper, LH	1	06/07MY
-	8G43-17F035-AA	ABS assy, rear bumper, LH	1	08MY on
11	701664	Screw, flg, M8 x 25	8	-
12	6G33-56316-AA	Rivnut, M8 flat head knurled	4	-
13	8G43-C278A71-GB	Panel, fuel tank compartment, upper	1	-
14	8G43-40338-AA	Reinforced lower back centre panel	1	-
15	GO8G43-101C84-AA	Bracket, side member rear, RH	1	-
16	GO8G43-101C85-AA	Bracket, side member rear, LH	1	-
17	8G43-334177-AA	Nutplate, rear damper mounting M12	2	-
18	6G33-375732-AA	Screw, 5.5 x 19	4	-
19	P06G33-5A355-AB	Support, sub frame rear, RH	1	-
20	P06G33-5A356-AB	Support, sub frame rear, LH	1	-
21		Member assy, RH	1	-
22	8G43-10456-AC	Member, rear floor side	1	-
23	GO8G43-C10282-AB	Member, rear floor side upper	1	-
24		Member assy, LH	1	-
25	8G43-10457-AC	Member, rear floor side	1	-
26	GO8G43-C10283-AB	Member, rear floor side, upper	1	-
27	GO8G43-C513B96-AA	Reinforced, roof side rail, lower RH	1	-
28	GO8G43-C513B97-AA	Reinforced, roof side rail, lower LH	1	-

[Contents](#)

DB9 - BODY SYSTEM

DB9

01 BODY SYSTEM



July 2007
010107-B1
Deflector and Shields

Deflector and Shields

Item	Part Number	Description	Qty	Remarks
1	7G43-54279D22-AC	Wheelarch liner, rear, RH	1	-
-	9G43-54279D22-AC	Wheelarch liner, rear, RH	1	09MY
2	7G43-10609E	Clip spring, M6, rear wheelarch liner	8	-
3	701433	Screw/washer, M6 x 18, wheelarch to underbody	22	-

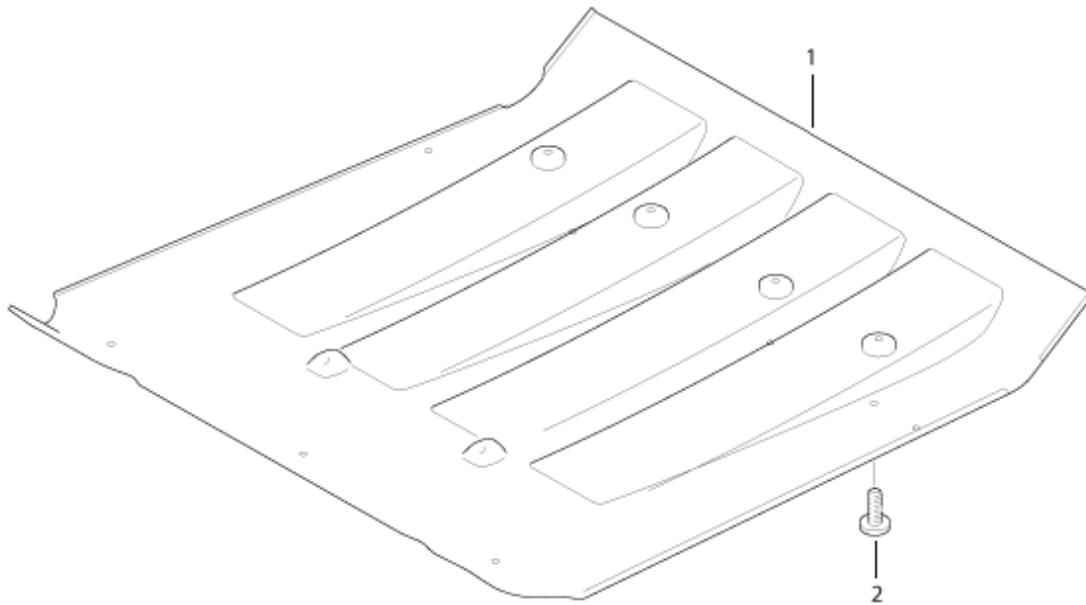
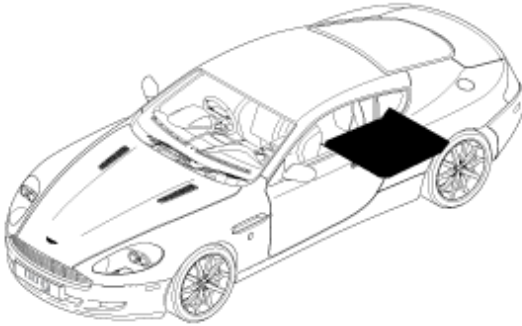
4	7G43-54279D23-AC	Wheelarch liner, rear, LH	1	-
-	9G43-54279D23-AC	Wheelarch liner, rear, LH	1	09MY
5	700633	Nut, flg, M6, rear wheelarch liner	4	07MY
-	703169	Nut, flg, M6, rear wheelarch liner	4	08MY
-	697592	Screw, 10 x 19, rear wheelarch liner	2	-
-	697565	Nut, spire, rear wheelarch liner	2	-
-	697517	Washer, large od, rear wheelarch liner	2	-
6	4G43-54279D24-AC	NVH pad, wheelarch, RH	1	-
-	4G43-54279D25-AC	NVH pad, wheelarch, LH	1	-

[Contents](#)

DB9 - BODY SYSTEM

DB9

01 BODY SYSTEM



March 2008
010107-C1
Rear Shields

Rear Shields

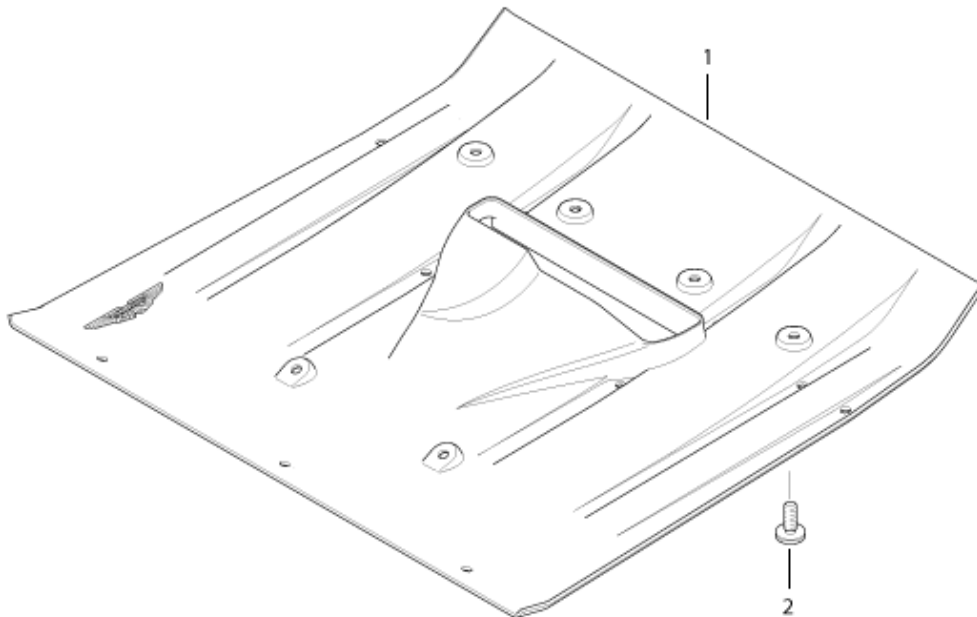
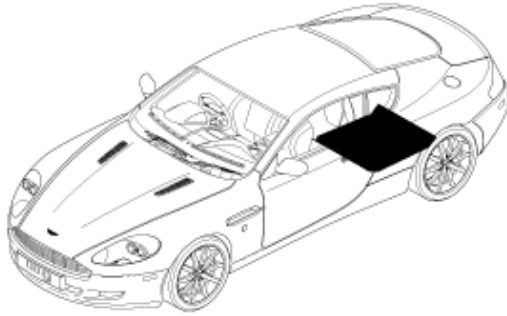
Item	Part Number	Description	Qty	Remarks
1	4G43-17C857-AC	Shield, rear bumper opening	1	-
2	701433	Screw/washer, M6 x 18, undertray to rear frame	9	-

[Contents](#)

DB9 - BODY SYSTEM

DB9

01 BODY SYSTEM



March 2008
010107-C2
Rear Shields, 09MY

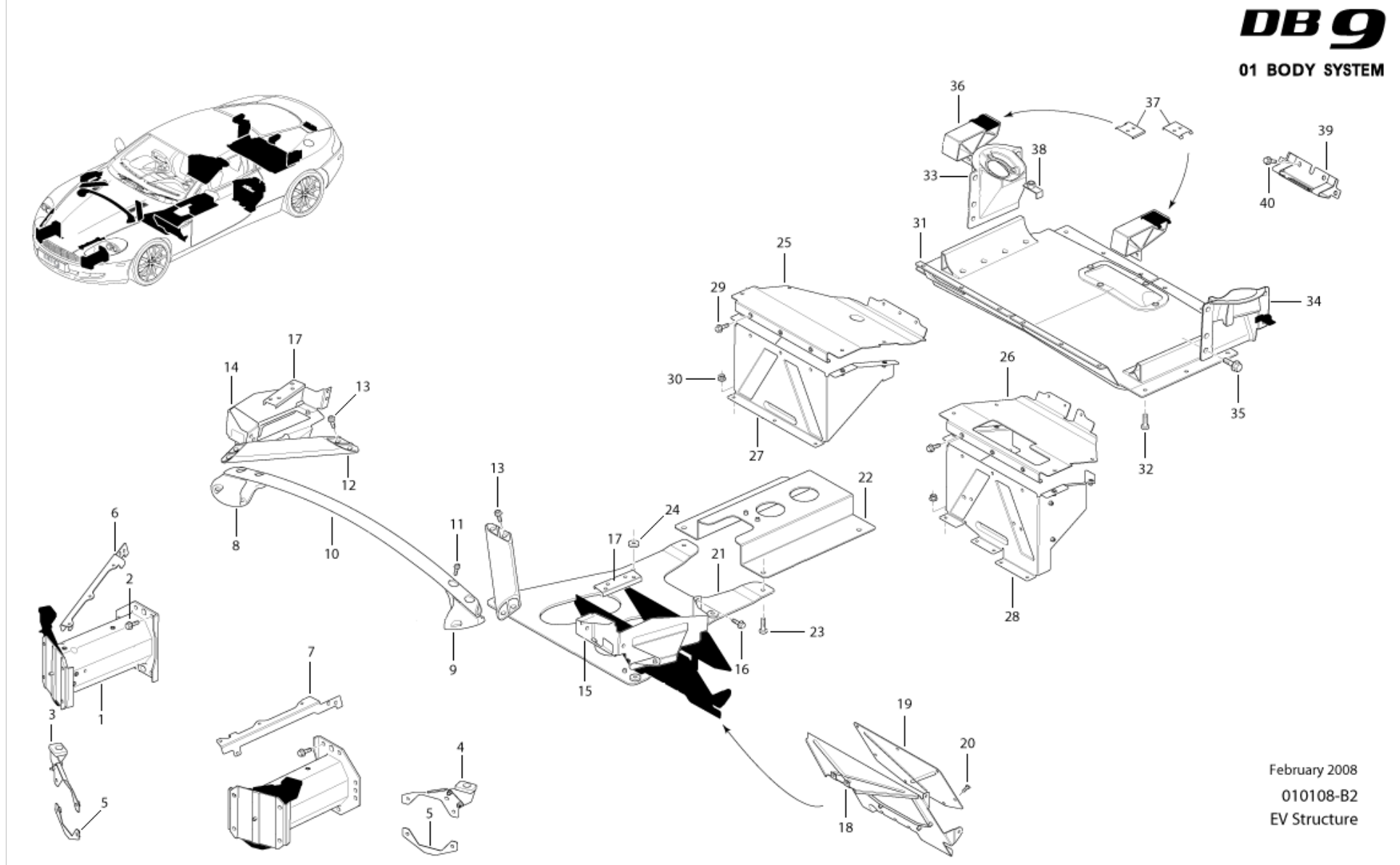
Rear Shields, 09MY

Item	Part Number	Description	Qty	Remarks
1	9G43-17C857-AB	Shield, rear bumper opening	1	09MY
2	6G33-100134-A	Screw/washer, M8 x 18	9	Undertray to rear frame
-	703743	Screw/washer, M6 x 18	2	-

[Contents](#)

DB9 - BODY SYSTEM

DB9
01 BODY SYSTEM



February 2008
010108-B2
EV Structure

EV Structure

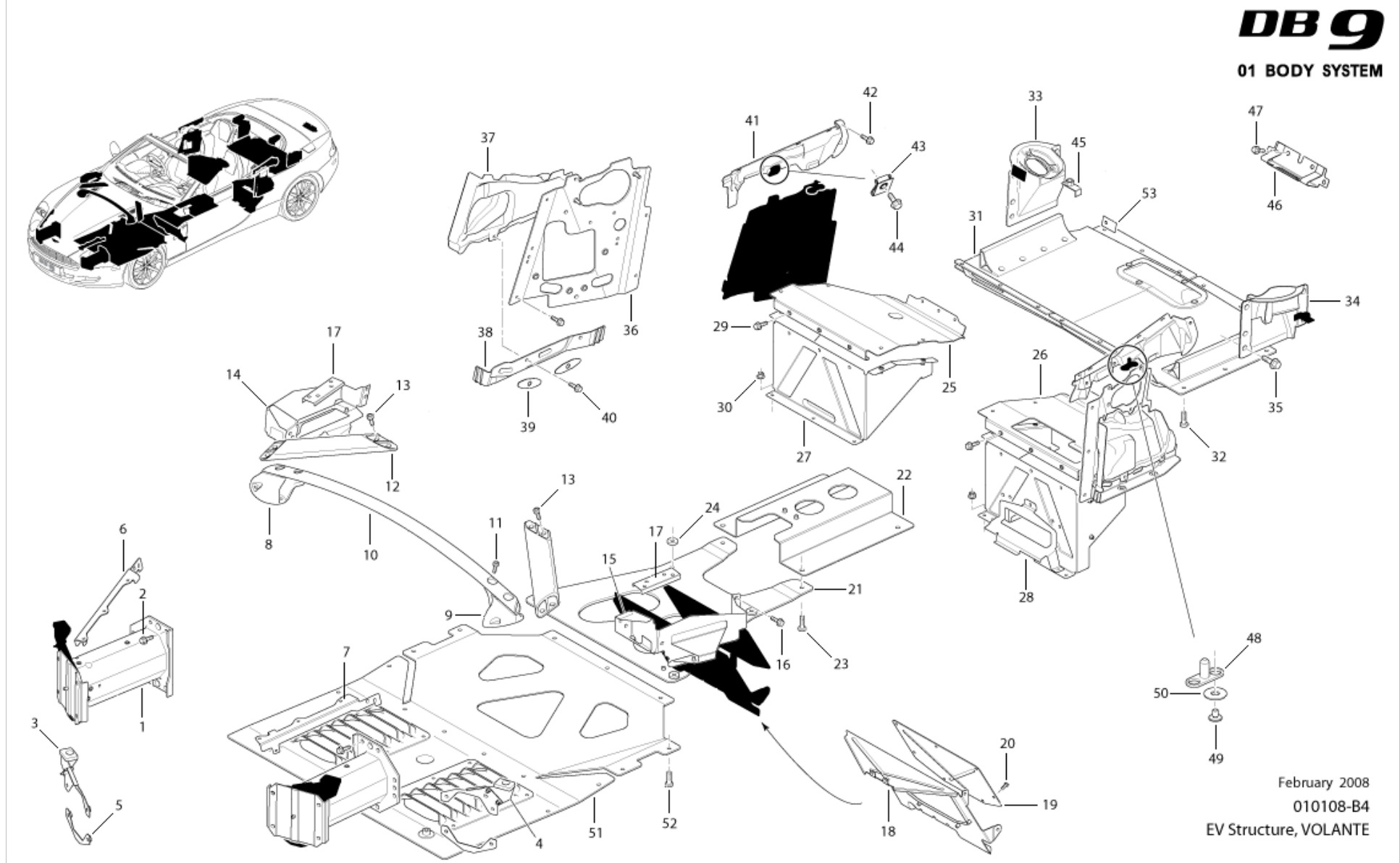
Item	Part Number	Description	Qty	Remarks

1	6G43-V17N800-AB	Front crash can	2	-
-	8D33-V17N800-AC	Front crash can	2	09MY
2	699849	Screw, flg, M8 x 30	12	07MY
-	703201	Screw, flg, M8 x 30	12	08MY
3	4G43-13068-AD	Head lamp mounting panel, RH	1	-
4	4G43-13069-AD	Head lamp mounting panel, LH	1	-
-	699849	Screw, flg, M8 x 30	2	-
5	4G43-6367912-AC	Nut plate, front crash can	2	-
6	4G43-043B19-AB	Tube, passenger airbag initr, LH	1	-
7	4G43-043B20-AB	Tube, passenger airbag initr, RH	1	-
8	4G43-108A86-AE	Bracket, front crash brace, RH	1	-
9	4G43-108A87-AE	Bracket, front crash brace, LH	1	-
10	4G43-108A75-AA	Front crash brace	1	-
11	702209	Bolt, torque drive, M10 x 25	4	-
12	P04G43-F00198-AF	Brace, reinforcement, eng, RH	1	Order in pairs
-	P04G43-F00199-AF	Brace, reinforcement, eng, LH	1	Order in pairs
13	702209	Bolt, torque drive, M10 x 25	4	-
-	703160	Nut, flg, M10	4	-
14	4G43-5340-AJ	Bracket, ECU mounting, RH	1	-
15	4G43-5341-AJ	Bracket, ECU mounting, LH	1	-
16	700099	Screw, flg, M6 x 20	12	-
17	4G43-16802-AA	Nut plate, hood mounting bracket	2	-
18	4G43-111C61-AD	Panel, dummy floor, front	1	RHD
-	4G43-111C60-AD	Panel, dummy floor, front	1	LHD
19	4G43-111B48-AB	Cover, front floor panel	1	-
20	701553	Screw M6 x 16, pan head	8	-
21	4G43-111K36-AE	Tunnel, reinforcement, front	1	-
22	4G43-111K37-AE	Tunnel, reinforcement, centre	1	-
23	699840	Screw, M8 x 25 pan head	8	-
24	4G43-1660-AA	Spacer, tunnel reinforcement, front	4	-
25	7G43-10N660-AB	Panel, battery cover, RH	1	-
26	7G43-10N661-AA	Panel, battery cover, LH	1	-
27	4G43-67518-AE	Panel, rear seat heel board, RH	1	-
28	7G43-67519-AB	Panel, rear seat heel board, LH	1	07MY
29	700099	Screw, flg, M6 x 20	22	-
30	700142	Nut, lock, flg, M6	12	-
31	4G43-38580-AJ	Panel, fuel tank compartment, lower	1	-

32	700123	Screw, flg, M8 x 20	16	-
33	6G33-18A000-AC	Member, rear damper mounting, RH	1	-
34	6G33-18A001-AC	Member, rear damper mounting, LH	1	-
35	701584	Screw, flg, M12 x 25	8	-
36	4G43-C114B10-AB	Bracket, rear child seat	2	-
37	4G43-612C58-AA	Plate, child seat attachment	2	-
38	4G43-501B0-AC	Nut plate, rear subframe	2	-
39	4G43-433A32-AE	Reinforcement, luggage compartment door latch housing	1	-
40	700123	Screw, flg, M8 x 20	2	-

[Contents](#)

DB9 - BODY SYSTEM



EV Structure, Volante

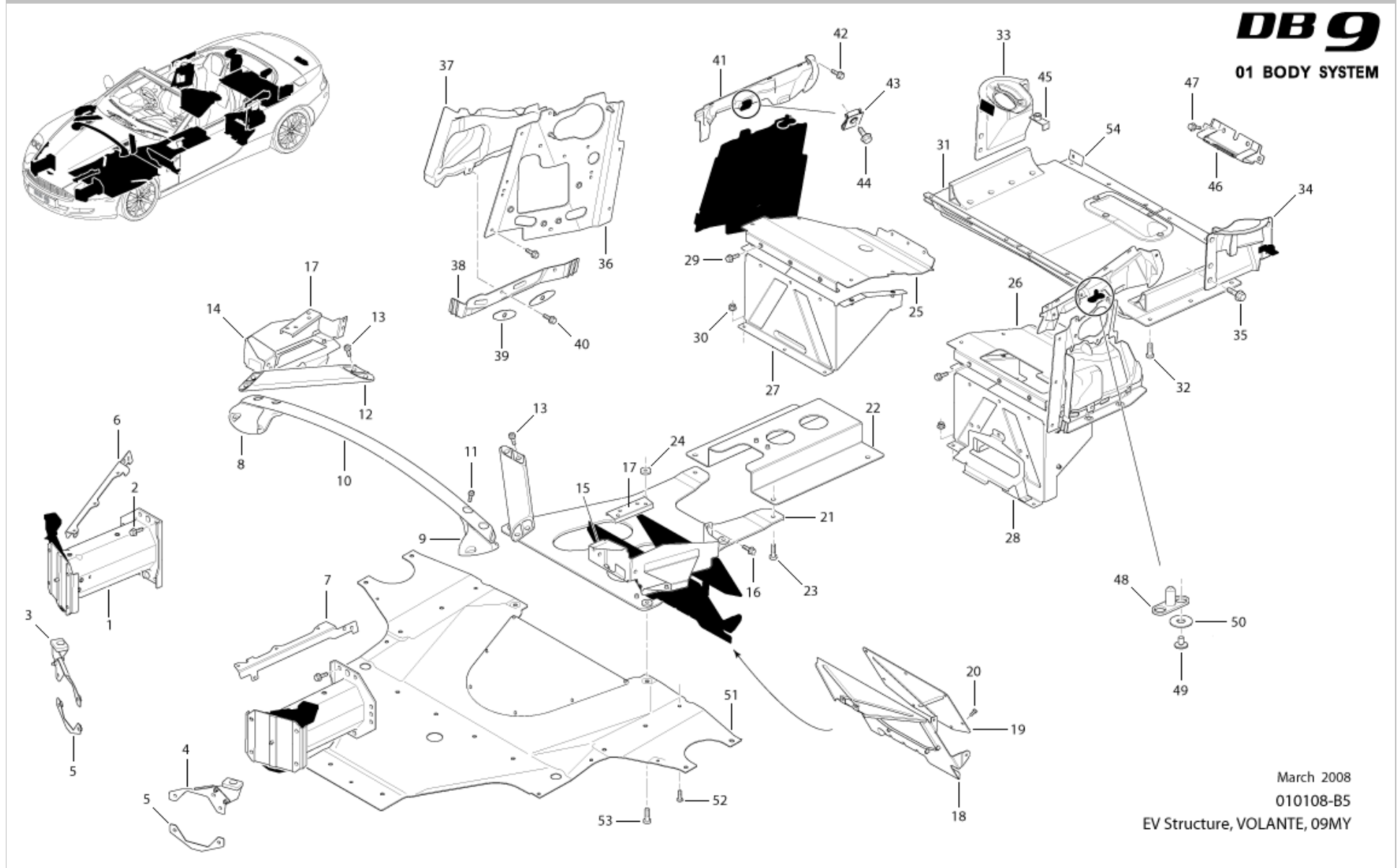
Item	Part Number	Description	Qty	Remarks
1	6G43-V17N800-AB	Front crash can	2	-

2	699849	Screw, flg, M8 x 30	12	07MY
-	703201	Screw, flg, M8 x 30	12	08MY
3	4G43-13068-AD	Head lamp mounting panel, RH	1	-
4	4G43-13069-AD	Head lamp mounting panel, LH	1	-
-	699849	Screw, flg, M8 x 30	2	-
5	4G43-6367912-AC	Nut plate, front crash can	2	-
6	4G43-043B19-AB	Tube, passenger airbag initr, LH	1	-
7	4G43-043B20-AB	Tube, passenger airbag initr, RH	1	-
8	4G43-108A86-AE	Bracket, front crash brace, RH	1	-
9	4G43-108A87-AE	Bracket, front crash brace, LH	1	-
10	4G43-108A75-AA	Front crash brace	1	-
11	702209	Bolt, torque drive, M10 x 25	4	-
12	4G43-F00198-AF	Reinforce, body cross bar, RH	2	-
-	4G43-F00199-AF	Reinforce, body cross bar, LH	2	-
13	702209	Bolt, torque drive, M10 x 25	4	-
-	703160	Nut, flg, M10	4	-
14	4G43-5340-AJ	Bracket, ECU mounting, RH	1	-
15	4G43-5341-AJ	Bracket, ECU mounting, LH	1	-
16	700099	Screw, flg, M6 x 20	12	-
17	4G43-16802-AA	Nut plate, hood mounting bracket	2	-
18	4G43-111C61-AD	Panel, dummy floor front	1	RHD
-	4G43-111C60-AD	Panel, dummy floor front	1	LHD
19	4G43-111B48-AB	Cover, front floor panel	1	-
20	701553	Screw M6 x 16, pan head	8	-
21	4G43-111K36-AE	Tunnel, reinforcement, front	1	-
22	4G43-111K37-AE	Tunnel, reinforcement, centre	1	-
23	699840	Screw, M8 x 25 pan head	8	-
24	4G43-1660-AA	Spacer, tunnel reinforce front	4	-
25	7G43-10N660-AB	Panel, battery cover, RH	1	-
26	7G43-10N661-AA	Panel, battery cover, LH	1	-
27	4G43-67518-AE	Panel, rear seat heel board, RH	1	-
28	7G43-67519-AB	Panel, rear seat heel board, LH	1	-
29	700099	Screw, flg, M6 x 20	22	-
30	700142	Nut, lock, flg, M6	12	-
31	4G43-38580-AJ	Panel, fuel tank compartment, lower	1	-
32	700123	Screw, flg, M8 x 20	16	-
33	4G43-18A000-AC	Member, rear damper mounting, RH	1	-

34	4G43-18A001-AC	Member, rear damper mounting, LH	1	-
35	701584	Screw, flg, M12 x 25	8	-
36	4G43-L04702-AG	Cover panel, window reg opening, RH	1	07MY
-	8G43-L04702-GA	Cover panel, window reg opening, RH	1	08MY
-	4G43-L04703-AG	Cover panel, window reg opening, LH	1	07MY
-	8G43-L04703-GA	Cover panel, window reg opening, LH	1	08MY
37	4G43-28034-AB	Shedder panel, rear quarter, RH	1	-
-	4G43-28035-AB	Shedder panel, rear quarter, LH	1	-
38	4G43-303A92-AB	Mounting bracket, window reg quarter, RH	1	-
-	4G43-303A93-AB	Mounting bracket, window reg quarter, LH	1	-
39	4G43-14A573-AA	Plate assy, window reg rear sw	4	-
40	700607	Screw, flg, M6 x 20	4	-
41	4G43-A410K24-AE	Panel, Body Pillar Closing, RH	1	-
-	4G43-A410K25-AE	Panel, Body Pillar Closing, LH	1	-
42	700607	Screw, flg, M6 x 20	4	-
43	7G43-10609E-AA	Clip spring, M6 U type	4	-
44	700211	Screw, flg, M6 x 12	4	-
45	4G43-501B0-AC	Nut plate, rear subframe	2	-
46	4G43-433A32-AE	Reinforcement, luggage compartment door latch housing	1	-
47	700123	Screw, flg, M8 x 20	2	-
48	4G43-L243A70-AA	Alignment Pin, Main Bearing bracket	2	-
49	701620	Screw, flg, M6 x 10 pan flng torx	4	-
50	697810	Washer 6 x 25mm, Stainless	4	-
51	4G43-11262-AB	Reinforcement assy, front floor pan	1	Up to 22/01/2007
-	4G43-11262-AC	Reinforcement assy, front floor pan	1	From 22/01/2007
52	699840	Screw, M8 x 25 pan head	13	07MY
-	703172	Screw, M8 x 25 pan head	13	08MY
53	4G43-2943707-AA	Weld Nut Plate	2	-

[Contents](#)

DB9 - BODY SYSTEM



EV Structure, VOLANTE, 09MY

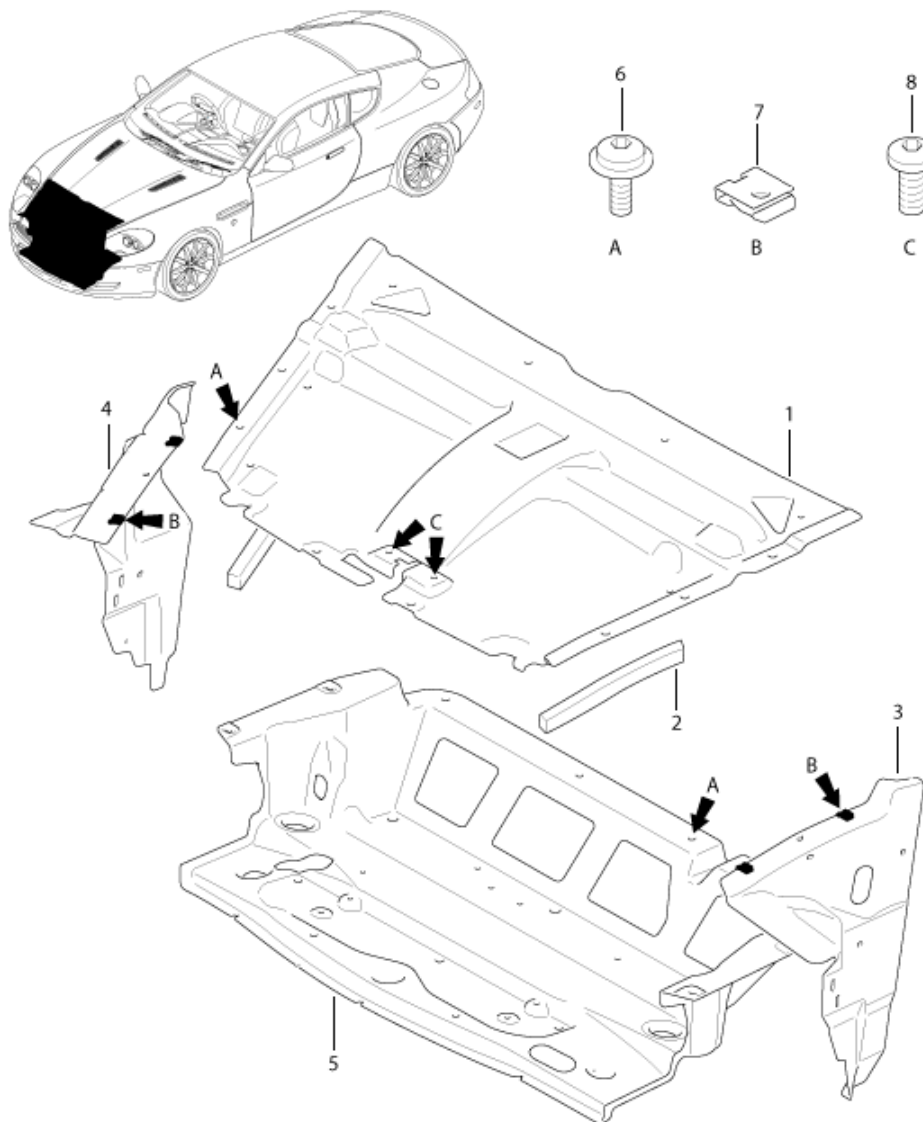
Item	Part Number	Description	Qty	Remarks

1	8D33-V17N800-AC	Front crash can	2	09MY
2	699849	Screw, flg, M8 x 30	12	07MY
-	703201	Screw, flg, M8 x 30	12	08MY
3	4G43-13068-AD	Head lamp mounting panel RH	1	-
4	4G43-13069-AD	Head lamp mounting panel LH	1	-
-	699849	Screw, flg, M8 x 30	2	-
5	4G43-6367912-AC	Nut plate, front crash can	2	-
6	4G43-043B19-AB	Tube, passenger airbag initr, LH	1	-
7	4G43-043B20-AB	Tube, passenger airbag initr, RH	1	-
8	4G43-108A86-AE	Bracket, front crash brace, RH	1	-
9	4G43-108A87-AE	Bracket, front crash brace, LH	1	-
10	4G43-108A75-AA	Front crash brace	1	-
11	702209	Bolt, torque drive, M10 x 25	4	-
12	4G43-F00198-AE	Reinforce, body cross bar, RH	2	-
-	4G43-F00199-AE	Reinforce, body cross bar, LH	2	-
13	702209	Bolt, torque drive, M10 x 25	4	-
-	703160	Nut, flg, M10	4	-
14	4G43-5340-AJ	Bracket, ECU mounting, RH	1	-
15	4G43-5341-AJ	Bracket, ECU mounting, LH	1	-
16	700099	Screw, flg, M6 x 20	12	-
17	4G43-16802-AA	Nut plate, hood mounting bracket	2	-
18	4G43-111C61-AD	Panel, dummy floor front	1	RHD
-	4G43-111C60-AD	Panel, dummy floor front	1	LHD
19	4G43-111B48-AB	Cover, front floor panel	1	-
20	701553	Screw M6 x 16, pan head	8	-
21	4G43-111K36-AE	Tunnel, reinforcement, front	1	-
22	4G43-111K37-AE	Tunnel, reinforcement, centre	1	-
23	699840	Screw, M8 x 25 pan head	8	-
24	4G43-1660-AA	Spacer, tunnel reinforce front	4	-
25	7G43-10N660-AB	Panel, battery cover, RH	1	-
26	7G43-10N661-AA	Panel, battery cover, LH	1	07MY
27	4G43-67518-AE	Panel, rear seat heel board, RH	1	-
28	7G43-67519-AB	Panel, rear seat heel board, LH	1	07MY
29	700099	Screw, flg, M6 x 20	22	-
30	700142	Nut, lock, flg, M6	12	-
31	4G43-38580-AJ	Panel, fuel tank compartment lower	1	-
32	700123	Screw, flg, M8 x 20	16	-

33	4G43-18A000-AC	Member, rear damper mounting, RH	1	-
34	4G43-18A001-AC	Member, rear damper mounting, LH	1	-
35	701584	Screw, flg, M12 x 25	8	-
36	4G43-L04702-AG	Cover panel, window reg opening, RH	1	07MY
-	8G43-L04702-GA	Cover panel, window reg opening, RH	1	08MY
-	4G43-L04703-AG	Cover panel, window reg opening, LH	1	07MY
-	8G43-L04703-GA	Cover panel, window reg opening, LH	1	08MY
37	4G43-28034-AB	Shedder panel, rear quarter, RH	1	-
-	4G43-28035-AB	Shedder panel, rear quarter, LH	1	-
38	4G43-303A92-AB	Mounting bracket, window reg quarter, RH	1	-
-	4G43-303A93-AB	Mounting bracket, window reg quarter, LH	1	-
39	4G43-14A573-AA	Plate assy, window reg rear sw	4	-
40	700607	Screw, flg, M6 x 20	4	-
41	4G43-A410K24-AF	Panel, Body Pillar Closing, RH	1	-
-	4G43-A410K25-AF	Panel, Body Pillar Closing, LH	1	-
42	700607	Screw, flg, M6 x 20	4	-
43	7G43-10609E-AA	Clip spring, M6 U type	4	-
44	700211	Screw, flg, M6 x 12	4	-
45	4G43-501B0-AC	Nut plate, rear subframe	2	-
46	4G43-433A32-AE	Reinforce, luggage compartment door latch housing	1	-
47	700123	Screw, flg, M8 x 20	2	-
48	4G43-L243A70-AA	Alignment Pin, Main Bearing Bracket	2	-
49	701620	Screw, flg, M6 x 10 pan flng torx	4	-
50	697810	Washer 6 x 25mm, Stainless	4	-
51	9G43-11262-AC	Reinforcement assy, front floor pan	1	09MY
52	W706108-S440	Screw, M8 x 25 pan head	14	09MY
53	6G33-FA0115-AB	Screw, M6 x 20 pan head	2	09MY
54	4G43-2943707-AA	Weld Nut Plate	2	-

DB9

01 BODY SYSTEM



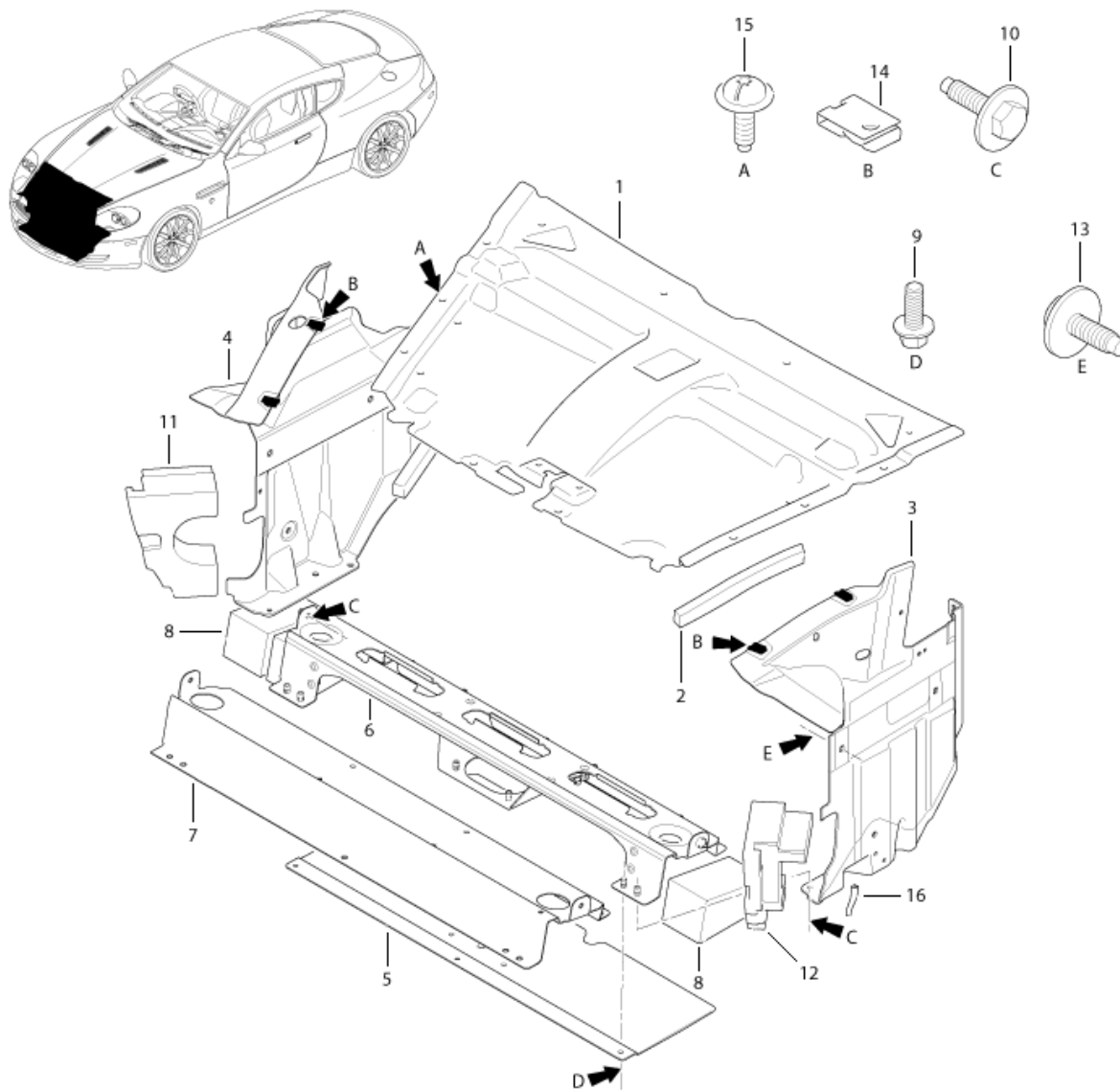
March 2008
010202-B1
Grille Opening Panel

Grille Opening Panel

Item	Part Number	Description	Qty	Remarks
1	4G43-8136-AG	Panel assy, radiator closing	1	-
2	4G43-403D62-AA	Foam	2	-
3	4G43-F01991-AB	Panel, air vent, LH	1	-
4	4G43-F01990-AC	Panel, air vent, RH	1	-
5	4G43-8052-AH	Radiator support, lower	1	-
6	701433	Screw and washer, M6 x 18	30	-
7	701145	Nut, M6, U type, side air duct fix	6	-

8	701442	Screw M6 x 10, AC panel to latch casting	2	-
---	------------------------	--	---	---

DB9
01 BODY SYSTEM

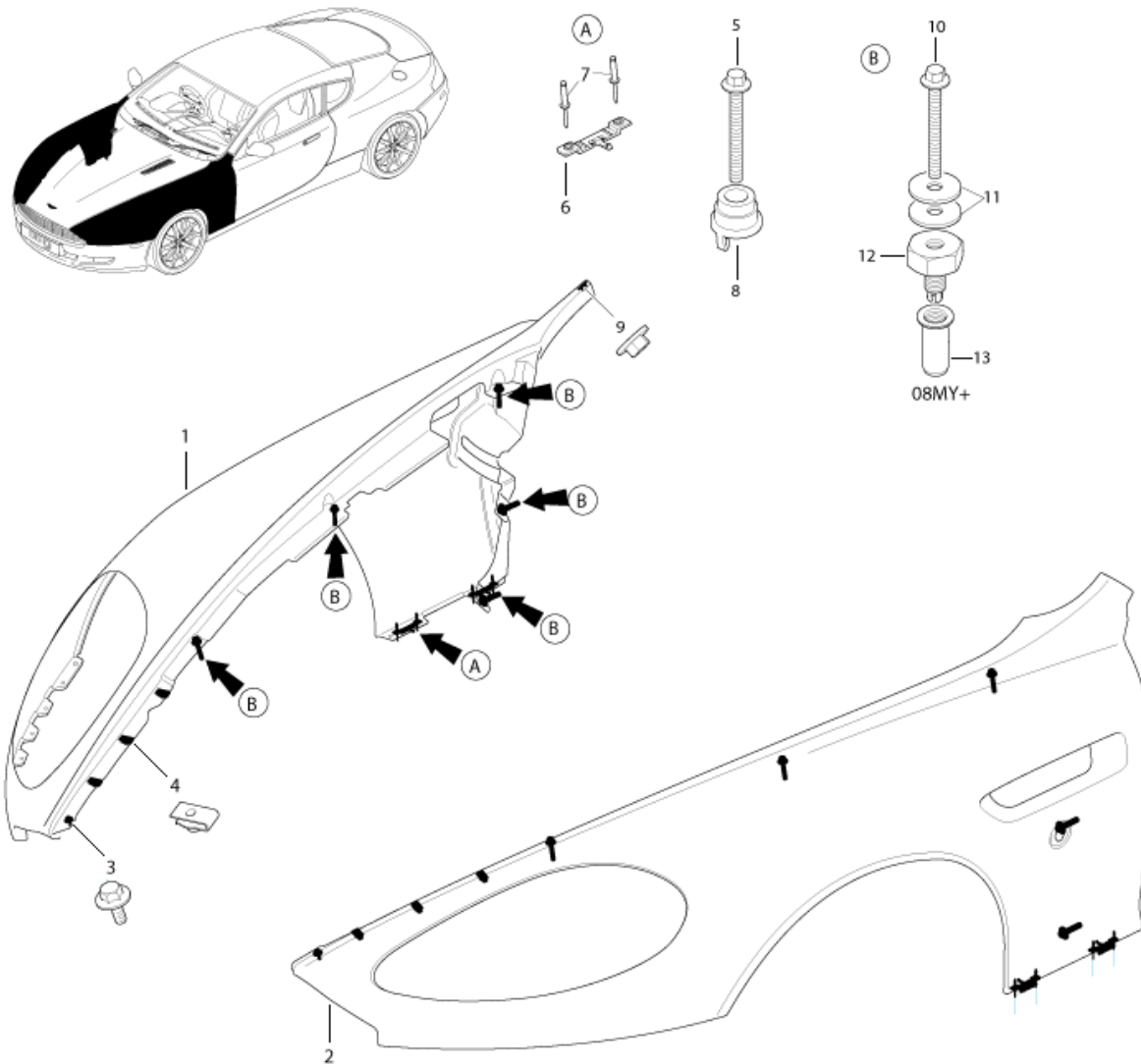


March 2008
010202-B2
Grille Opening Panel, 09MY

Grille Opening Panel, 09MY

Item	Part Number	Description	Qty	Remarks
1	4G43-8136-AG	Panel assy, radiator closing	1	-
2	4G43-403D62-AA	Foam	2	-
3	8G43-F01991-AE	Panel, air vent, LH	1	-
4	8G43-F01990-AE	Panel, air vent, RH	1	-
-	697810-PK	Washer, M6 x 25 x 1.6 black stainless	2	-
5	8G43-2943751-AB	Radiator support, lower	1	-
6	8G43-8052-AC	Cover assy, radiator support, lower	1	AUTO
7	8G43-8052-BA	Cover assy, radiator support, lower	1	MANUAL
8	8D33-42761-AA	Foam pad, cover assy	2	-

9	703729	Screw, M6 x 16	8	-
10	703152-PK	Screw/washer, M6 x 20	6	-
11	8D33-334610-AB	Bumper intf foam, RH	1	-
12	8D33-334611-AB	Bumper intf foam, LH	1	-
13	703139	Screw/washer, M8 x 20	8	-
14	703740	Nut, M6, U type	4	-
15	703743	Bolt and washer	14	-
16	4G43-L41041-AA	Edge strip	1	-



June 2008
010203-B1
Front Wing Assy

Front Wing Assy

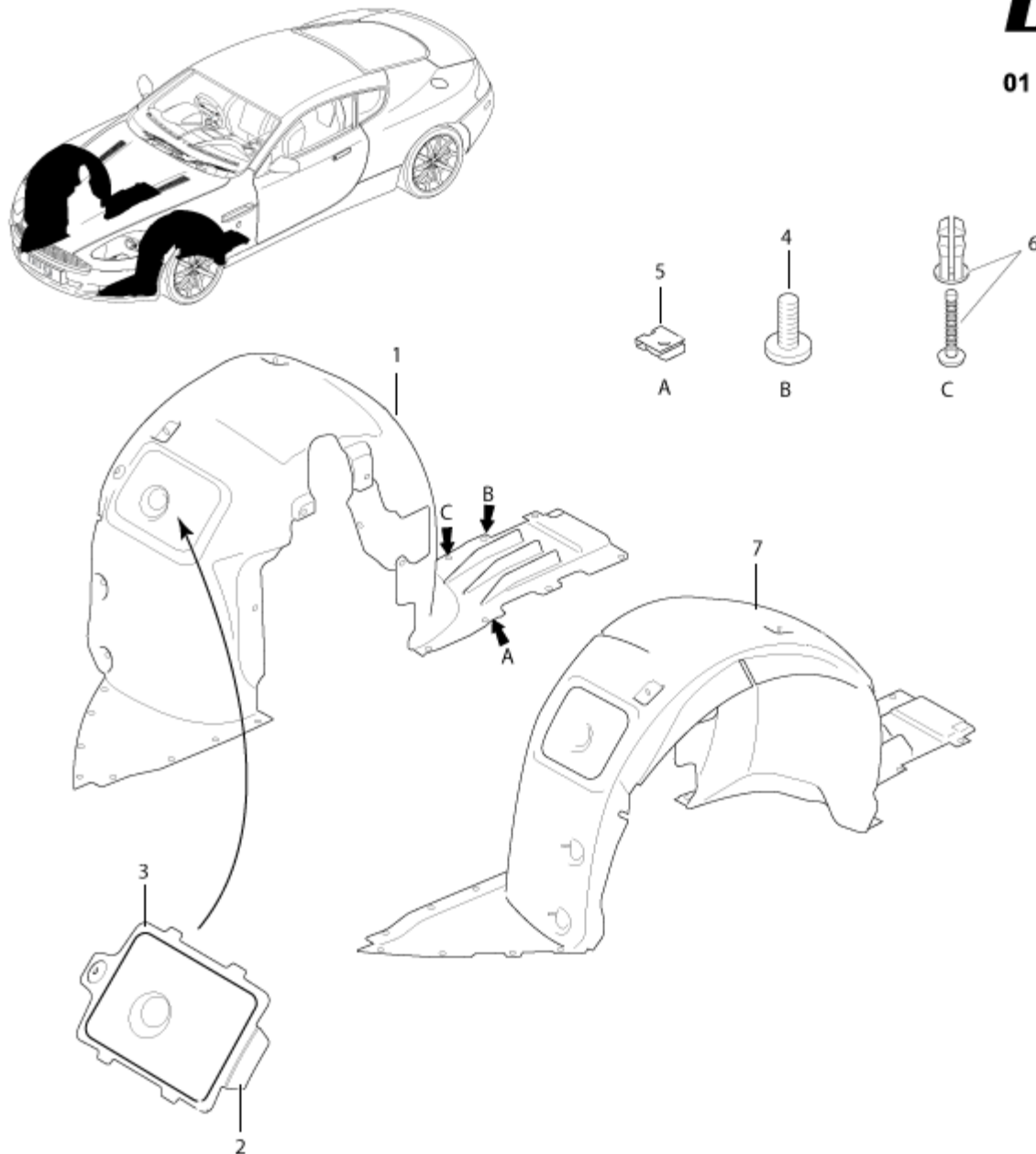
Item	Part Number	Description	Qty	Remarks
1	4G43-16005-AN	Panel assy, front fender, RH	1	-
2	4G43-16006-AN	Panel assy, front fender, LH	1	-
3	6G33-FA0115-AB	Screw/washer, M6 x 21, fender to grille	12	-
4	701145	Nut, M6, U type	6	-
5	701436	Bolt, fig, M6 x 55	6	07MY
6	4G43-023A50-AB	Exteriors fender clip	8	-
7	701435	Rivet, dome head, clip to panel	8	-
8	4G43-C04545-A-PIA30	Nut, M8, tolerance	10	07MY
-	4G43-2292-AA	Spacer button	4	-
9	703612	Nut and captive washer	2	-

10	703196	Bolt, fig, M6 x 55	10	08MY
11	697810	Washer, M6 x 25 black stainless	20	-
12	4G43-E826280-BA	Nut, M6, flexax tolerance	10	08MY
13	6G33-46768-AA	Rivnut, M6/10L flat head 1.5-3mm	10	08MY

[Contents](#)

DB9 Body System

DB 9
01 BODY SYSTEM



July 2007
010204-B1
Deflectors and Shields

Deflectors and Shields

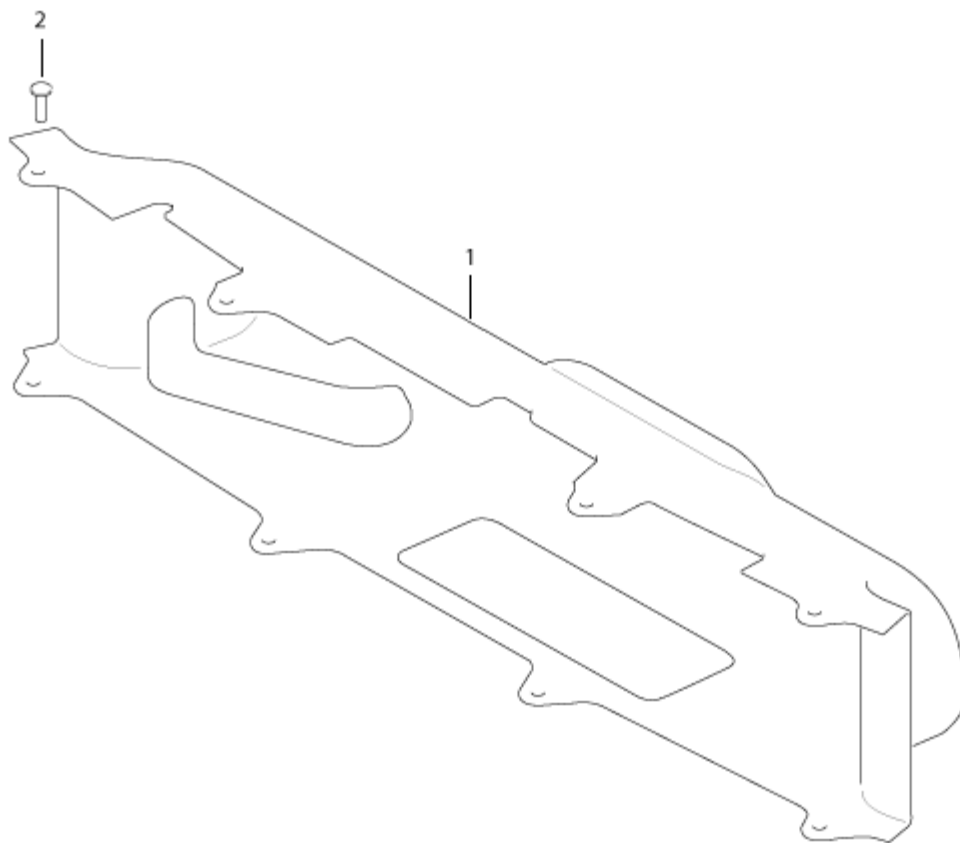
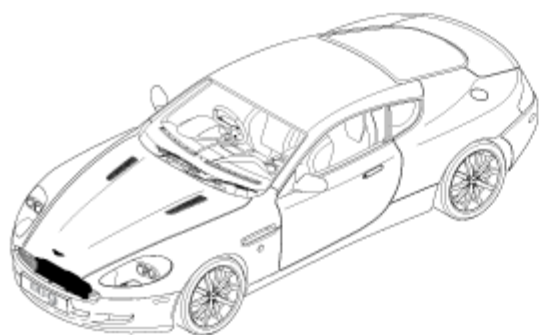
Item	Part Number	Description	Qty	Remarks
1	4G43-166562-AH	Liner, front wheelarch, RH	1	-
-	9G43-166562-AB	Liner, front wheelarch, RH coupe std	1	09MY
-	9G43-L166562-AD	Liner, front wheelarch, RH coupe sports	1	09MY

-	9G43-L166562-AD	Liner, front wheelarch, RH Volante	1	09MY
2	4G43-16F118-AA	Kit, access door, RH, front wheelarch liner	1	-
3	4G43-16F119-AA	Kit, access door, LH, front wheelarch liner	1	-
4	6G33-FA0115-AB	Screw/washer, M6 x 18, arch to underbody	54	-
5	7G43-10609E-AA	Clip, spring, M6, U type, arch to underbody	22	-
6	4G43-78-10814	Scrivet	8	-
7	4G43-166563-AH	Liner, front wheelarch, LH	1	-
-	9G43-166563-AB	Liner, front wheelarch, LH coupe std	1	09MY
-	9G43-L166563-AD	Liner, front wheelarch, LH coupe sports	1	09MY
-	9G43-L1665632-AD	Liner, front wheelarch, LH Volante	1	09MY
-	701582	Rivet, Sill reinf to front wheelarch liner	4	-
-	4G43-166564-AC	NVH pad, wheelarch, RH	1	-
-	4G43-166565-AC	NVH pad, wheelarch, LH	1	-
-	4G43-16G068-AA	Kit, air deflector, RH, front wheelarch liner	1	-
-	4G43-16G069-AA	Kit, air deflector, LH, front wheelarch liner	1	-
-	8G43-16586-AA/A>	Bracket, front wheel shield, RH	1	08MY
-	8G43-16587-AA/A>	Bracket, front wheel shield, LH	1	08MY
-	4G43-DX88N-AA/A>	Edge protection, wheel arch liner	2	-

[Contents](#)

DB9 Body System

DB9
01 BODY SYSTEM



July 2007
010204-B2
Divider Front Grille

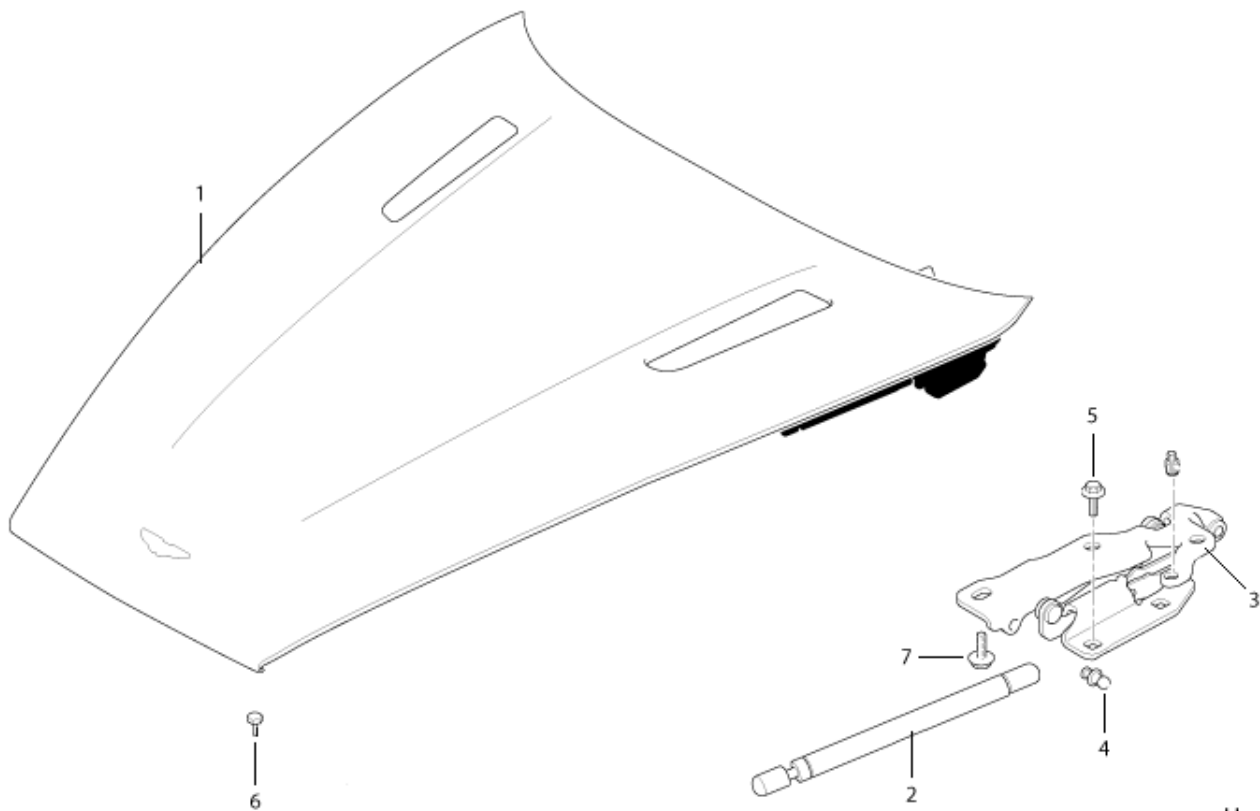
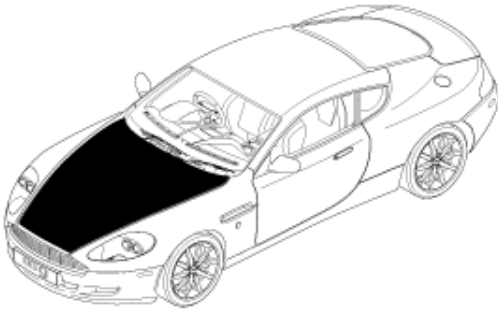
Divider Front Grille

Item	Part Number	Description	Qty	Remarks
1	4G43-16F078-AG	Divider grille, front	1	-
2	W704320-S300	Scrivet, grille to armature	12	-

[Contents](#)

DB9 Body System

DB9
01 BODY SYSTEM



July 2007
010205-B1
Hood and Mounting

Hood and Mounting

Item	Part Number	Description	Qty	Remarks
-	4G43-16612-AM	Hood assembly	1	-
1	4G43-16615-AH	Panel, hood outer	1	-
2	4G43-16C826-AB	Gas spring assembly	2	-
3	2W93-16801-AR	Hinge assembly, LH	1	-
4	1R12-640101-AA	Ball stud	2	-

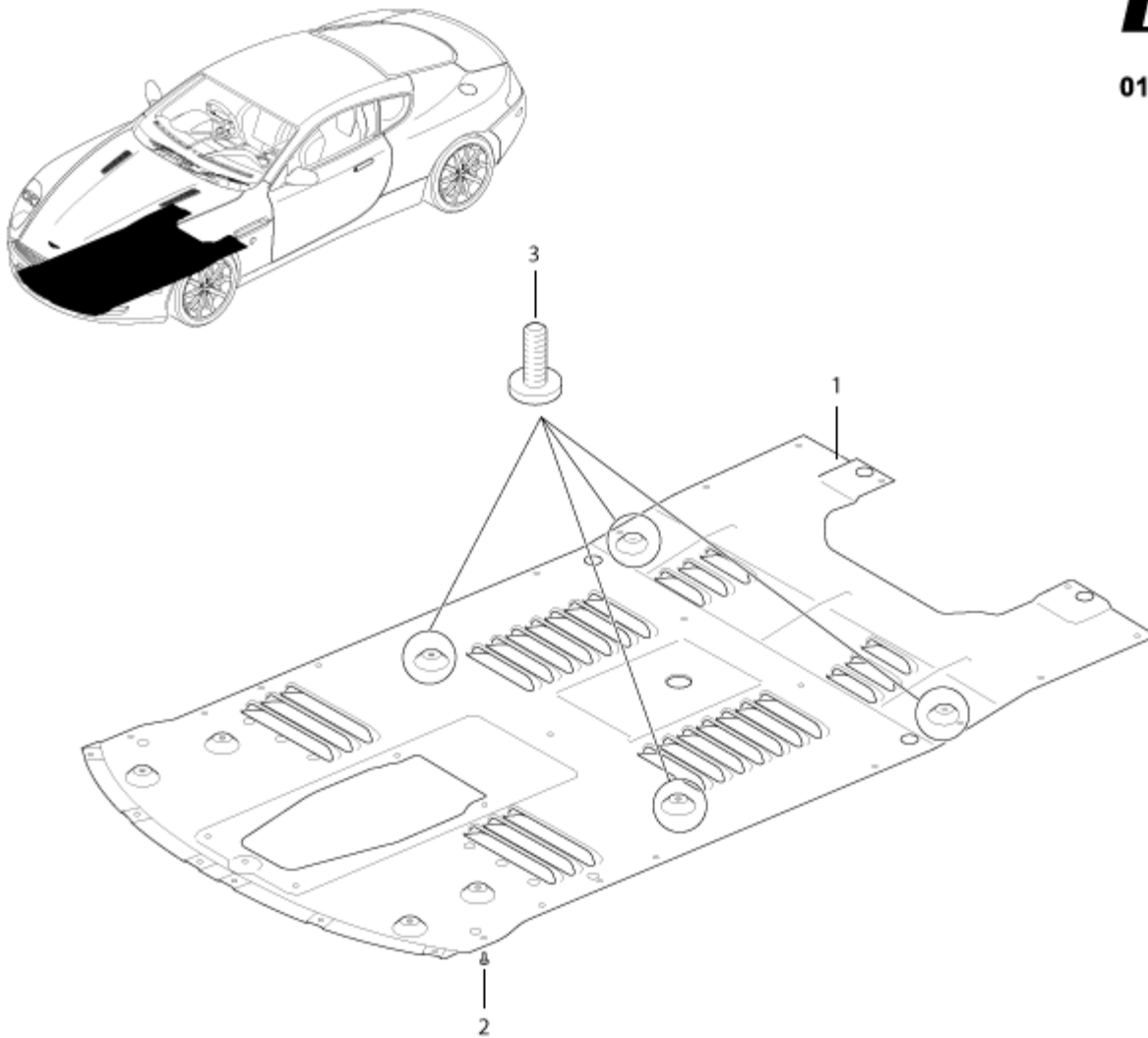
-	2W93-16800-AR	Hinge assembly, RH	1	-
5	700123	Screw, flg, M8 x 20	4	07MY
-	703121	Screw, flg, M8 x 20	4	08MY
6	4G43-16K808-AA	Support assy, hood bumper	2	-
7	701431	Screw/washer, M8 x 20	4	07MY
-	703139	Screw/washer, M8 x 20	4	08MY
-	700250	Bolt, M6 x 16, bonnet release catch to grille	2	07MY
-	703265	Bolt, M6 x 16, bonnet release catch to grille	2	08MY
-	703151	Screw, M6 x 16, latch to hood	2	-
-	697452	Washer, M8, large OD	4	-
-	4G43-16691-AA	Insert, bonnet anti canning	2	-

[Contents](#)

DB9 Body System

DB9

01 BODY SYSTEM



July 2007
010207-B1
Aerodynamic Undershield

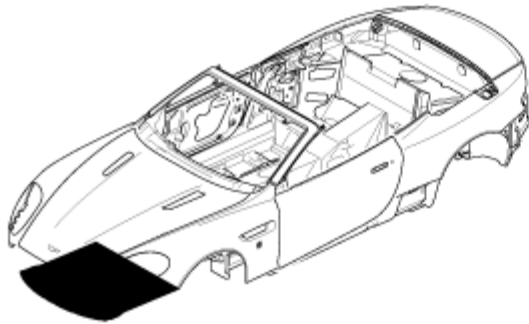
Aerodynamic Undershield

Item	Part Number	Description	Qty	Remarks
1	8G43-5E209-BB	Undertray, front	1	-
-	8G43-5E209-AD	Undertray, front	1	-09MY
	9G43-5E212-			

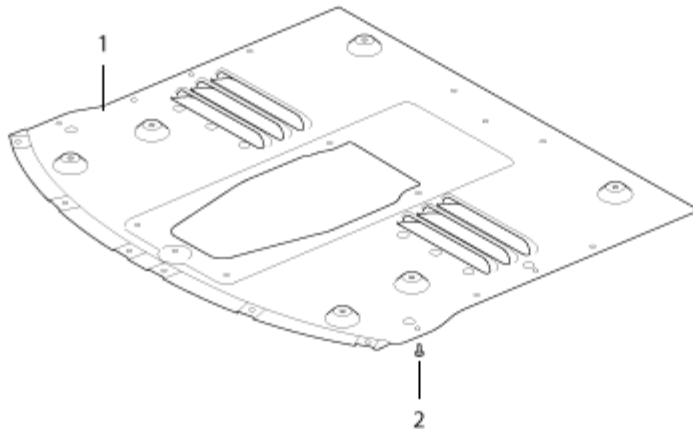
-	AB	Undertray, front	1	Sports kit
2	6G33-FA0115-AB	Screw/washer, M6 x 21, undertray to underbody & wheelarch	30	-
-	4G43-01904-BA	NACA duct, sump	1	-
3	701433	Screw/washer, M6 x 18	4	-

[Contents](#)

DB9 Body System



DB9
01 BODY SYSTEM



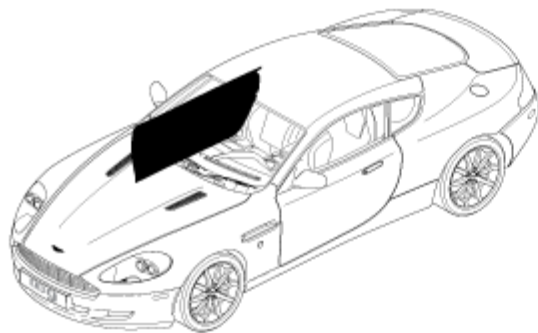
July 2007
010207-B2
Aerodynamic Undershield, Convertible

Aerodynamic Undershield, Convertible

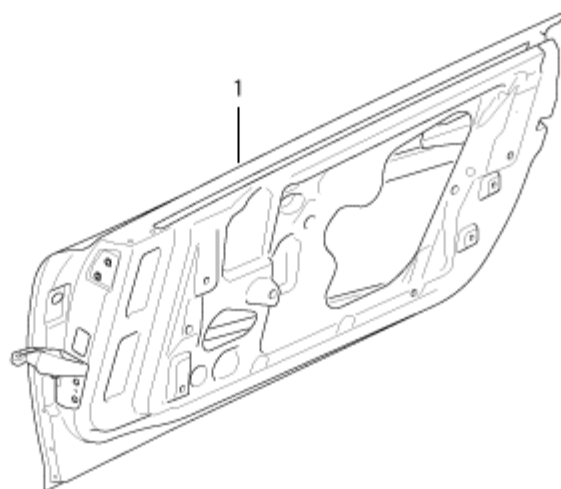
Item	Part Number	Description	Qty	Remarks
1	9G43-5E212-BA	Undertray, front, convertible	1	-
-	9G43-5E212-AA	Undertray, front, convertible	1	09MY
2	6G33-FA0115-AB-PK	Screw/washer, M6 x 21	19	-

[Contents](#)

DB9 Body System



DB9
01 BODY SYSTEM



July 2007
010301-B1
Front Side Doors

Front Side Doors

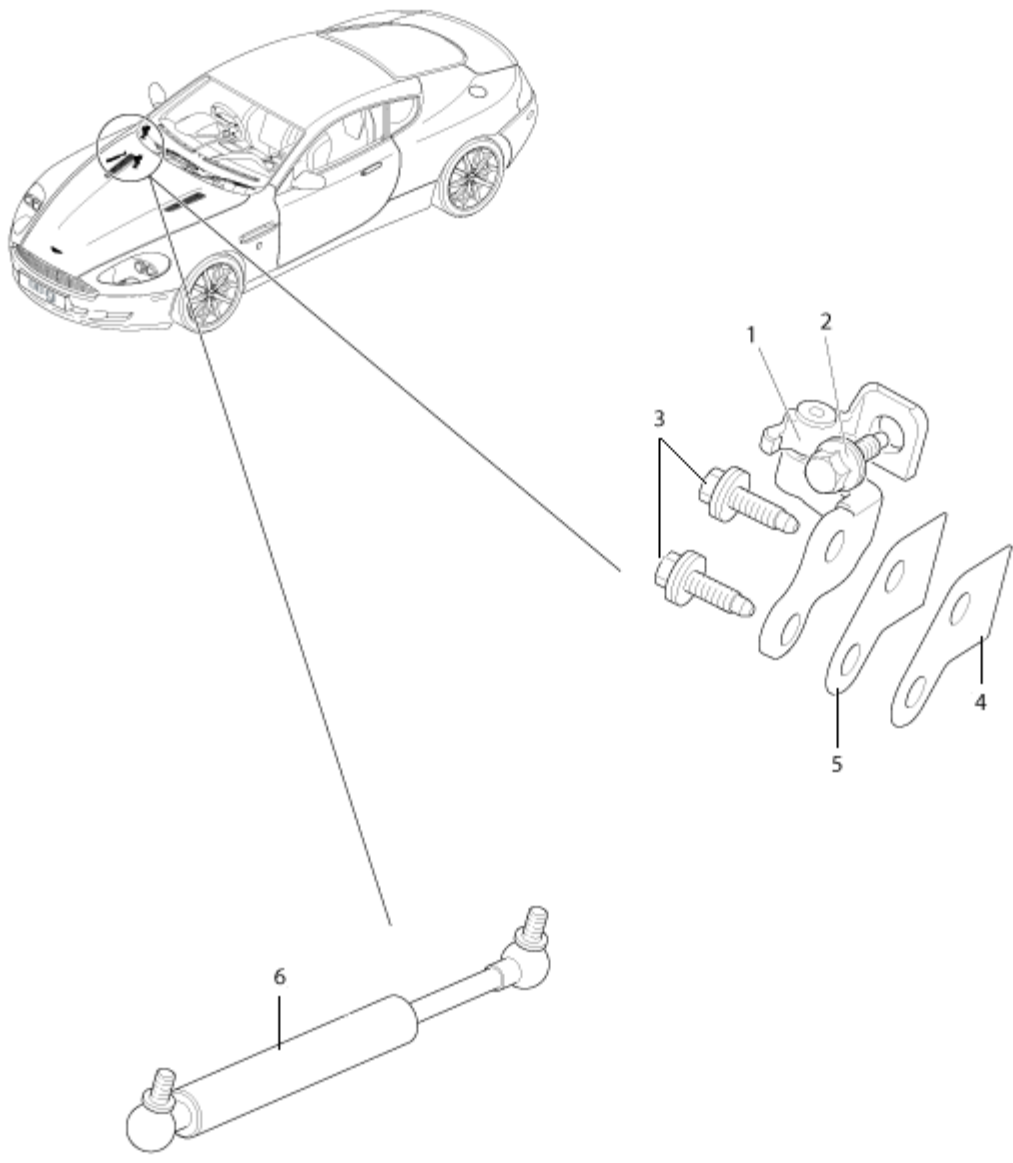
Item	Part Number	Description	Qty	Remarks
1	4G43-20122-AG	Door assy complete, RH	1	Up to (V) B08470
-	4G43-20122-AH	Door assy complete, RH	1	From (V) B08471 Up to (V) A10561

-	4G43-20122-AK	Door assy complete, RH	1	From (V) A10562
-	4G43-20123-AG	Door assy complete, LH	1	Up to (V) B08470
-	4G43-20123-AH	Door assy complete, LH	1	From (V) B08471 Up to (V) A10561
-	4G43-20123-AK	Door assy complete, LH	1	From (V) A10562
-	4G43-235K12-AG	Reinf, front door check arm, RH	1	Service repair item
-	4G43-235K13-AE	Reinf, front door check arm, LH	1	Service repair item

[Contents](#)

DB9 Body System

DB9
01 BODY SYSTEM



July 2006
010301-G1
Front Side Door Hinges

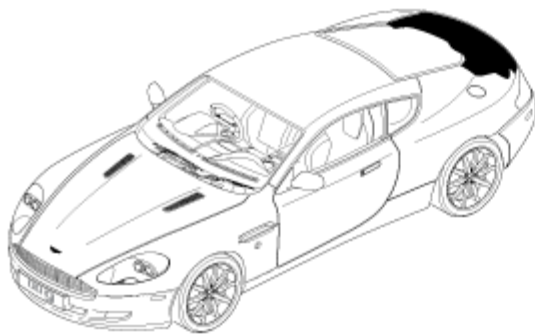
Front Side Door Hinges

Item	Part Number	Description	Qty	Remarks
-	4G43-65-10056	Hinge, front door, LH	2	-
1	4G43-65-10055	Hinge, front door, RH	2	-
2	702210	Screw, M10 x 30, hinge to door	4	-

3	703155	Screw/washer, M8 x 25, hinge to body	8	-
4	4G43-22816-AC	Shim, door hinge, 0.5mm	8	-
5	4G43-22817-AC	Shim, door hinge, 1.2mm	6	-
6	4G43-23504-AB	Arm assy, front door check	2	-
-	1R12-640101-AA	Ball stud	4	-

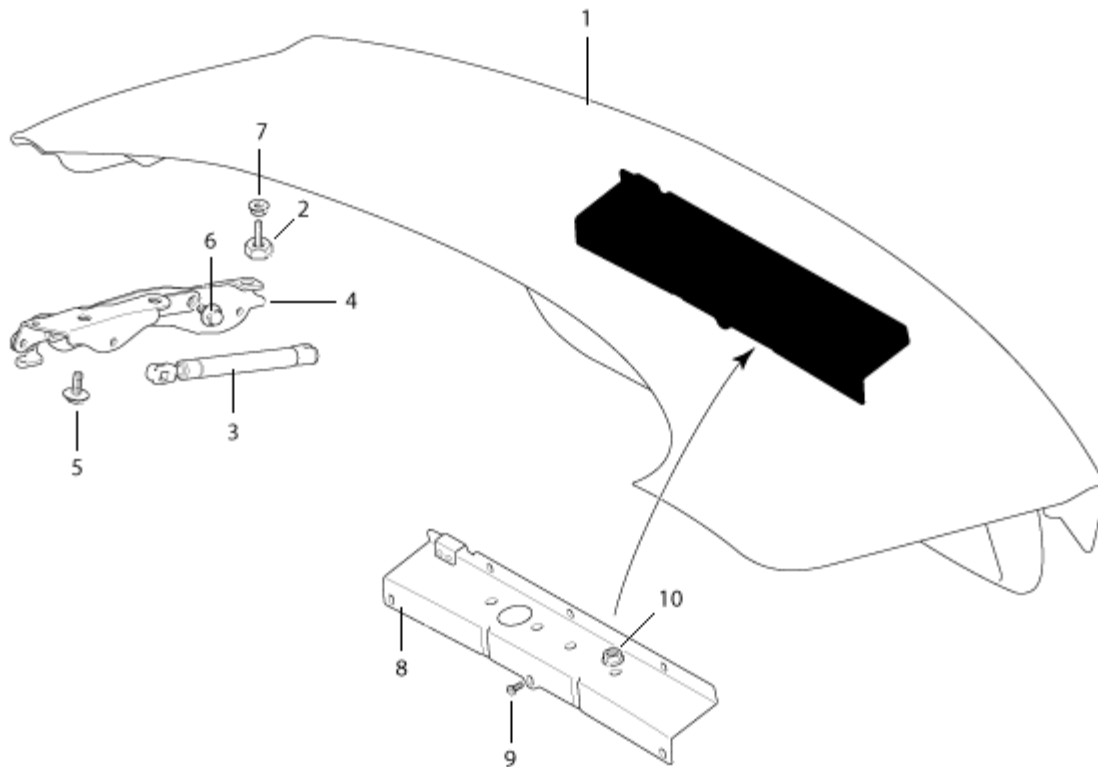
[Contents](#)

DB9 - BODY SYSTEM



DB9

01 BODY SYSTEM



July 2007
010303-B1
Trunk Lid Coupe

Trunk Lid Coupe

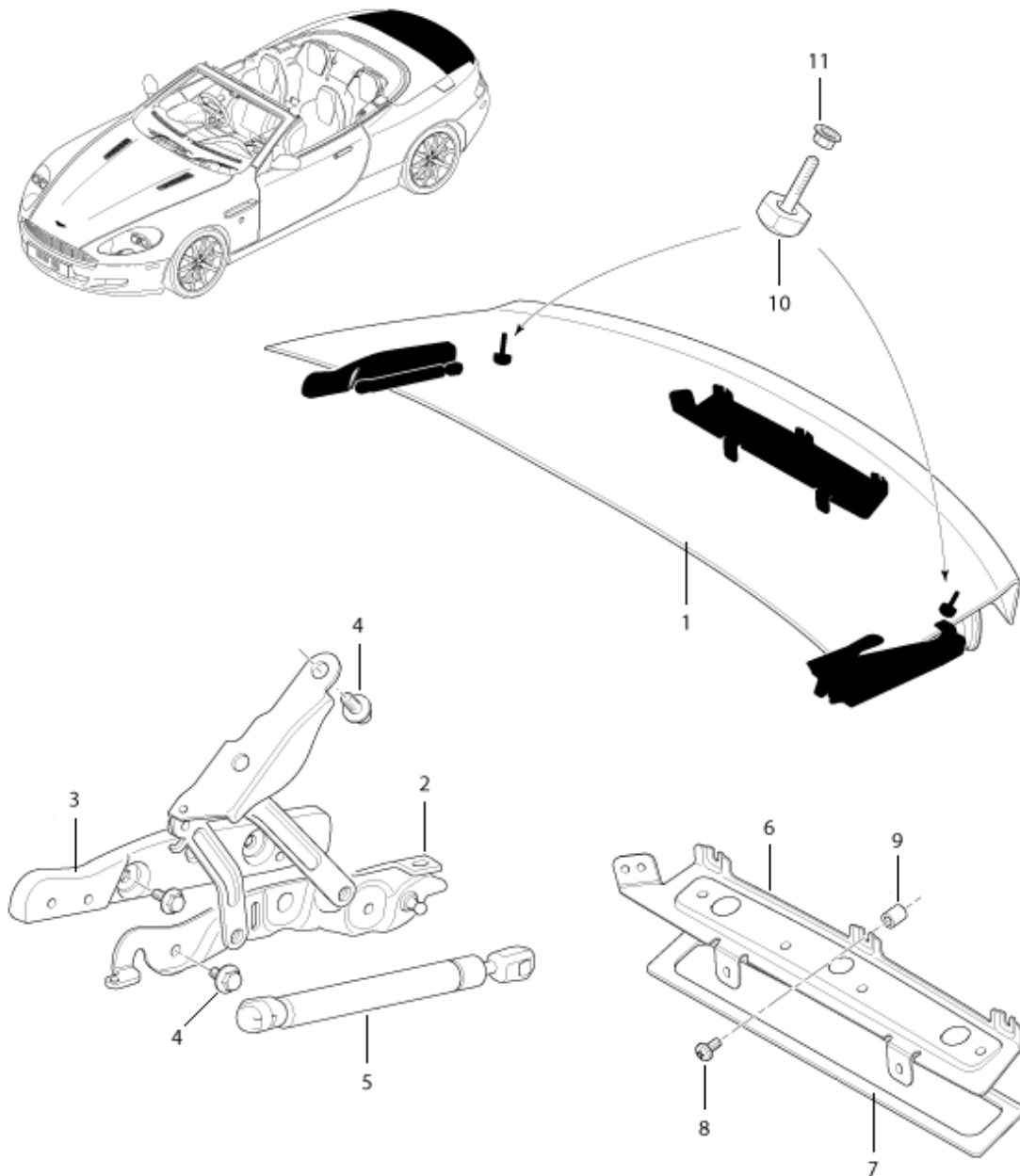
Item	Part Number	Description	Qty	Remarks
1	4G43-40110-AL	Trunk lid assy, coupe	1	-
-	4G43-40110-BF	Trunk lid assy, coupe	1	Federal 07MY
-	8G43-40110-BB	Trunk lid assy, coupe	1	Federal 08MY

-	4G43-C40616-AN	Panel, trunk lid, coupe	1	-
-	4G43-C40616-BG	Panel, trunk lid, coupe	1	Federal 07MY
-	8G43-C40616-BB	Panel, trunk lid, coupe	1	Federal 08MY
2	4G43-16K808-AA	Buffer assy, hood bumper	2	-
3	4G43-406A10-AC	Gas strut, trunk	2	-
4	4G43-42740-AC	Hinge assy, luggage compartment, door, RH	1	-
-	4G43-42741-AC	Hinge assy, luggage compartment, door, LH	1	-
5	697196	Screw/washer, M8 x 14, hinge to lid	4	07MY
-	703188	Screw, M8 x 14 hinge to lid	4	08MY
6	697196	Screw/washer, M8 x 14, hinge to body	4	07MY
-	703188	Screw, M8 x 14, hinge to body	4	08MY
7	699877	Nut flg, M6, buffer assy	2	07MY
-	W705764-S440	Nut flg, M6, buffer assy	2	08MY
8	4G43-C13A202-AC	Closing plate, lamp, trunk lid	1	-
9	700113	Screw, M5 x 10, plate to lid	6	07MY
-	703179	Screw, M5 x 10, plate to lid	6	08MY
10	4G43-012M5TA-AA	Insert, M5	6	-
-	4G43-C56190-AG	Nut plate, trunk lid hinge, RH	1	-
-	4G43-C56191-AG	Nut plate, trunk lid hinge, LH	1	-

[Contents](#)

DB9 - BODY SYSTEM

DB9
01 BODY SYSTEM



July 2007
010303-B2
Trunk lid- Volante

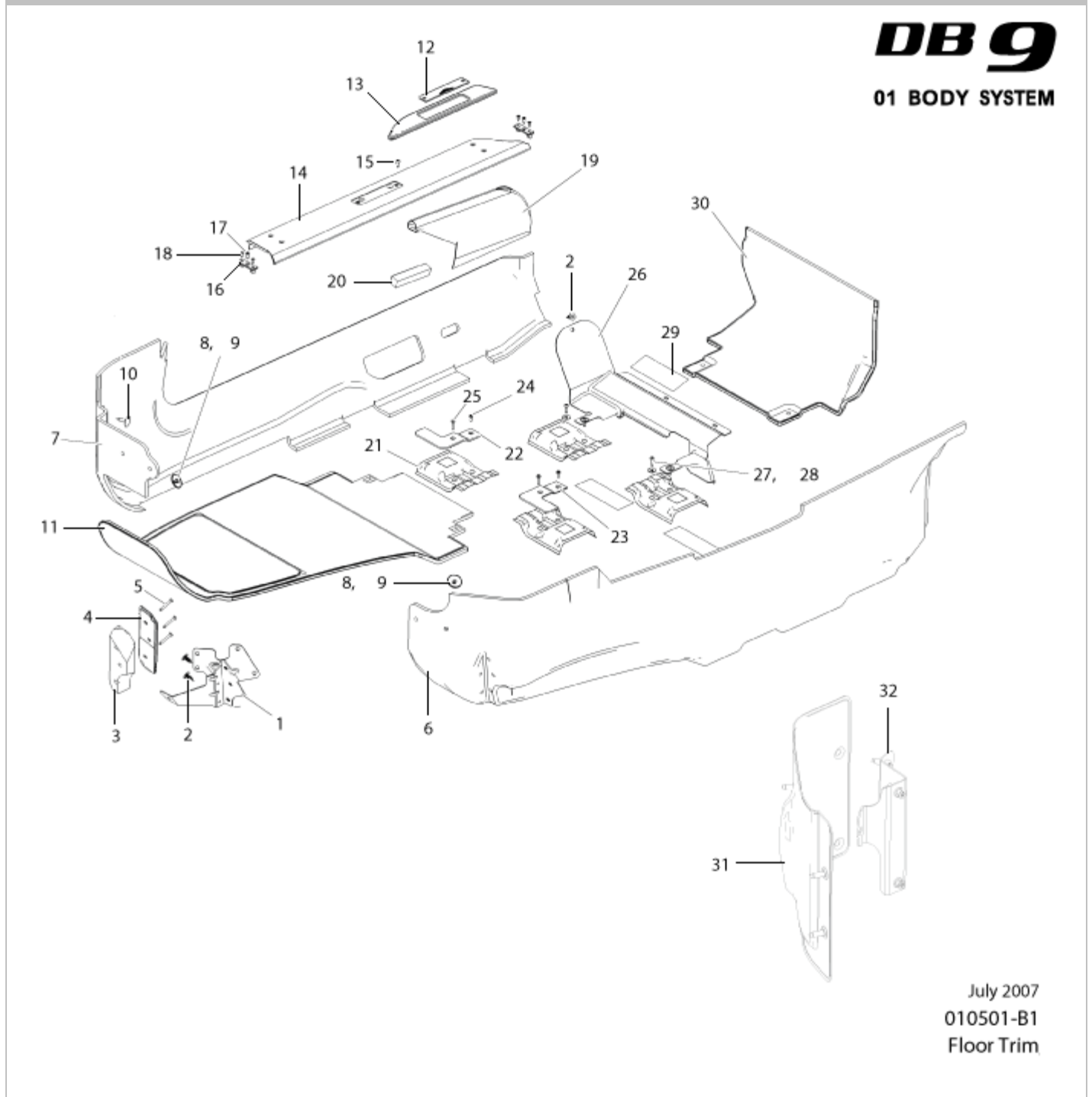
Trunk lid - Volante

Item	Part Number	Description	Qty	Remarks
1	4G43-L40110-AJ	Trunk lid assy, Volante	1	-
-	4G43-L40110-BJ	Trunk lid assy, Volante	1	Federal 07MY
-	8G43-L40110-BB	Trunk lid assy, Volante	1	Federal 08MY

-	4G43-L40616-AL	Panel, trunk lid, Volante	1	-
2	4G43-42740-AC	Hinge assy, luggage compartment, door, RH	1	-
-	4G43-42741-AC	Hinge assy, luggage compartment, door, LH	1	-
3	4G43-L56190-AC	Nut plate, trunk lid hinge, RH	1	-
-	4G43-L56191-AC	Nut plate, trunk lid hinge, LH	1	-
4	697196	Screw/washer, M8 x 14, hinge to lid	4	07MY
-	703188	Screw, M8 x 14 hinge to lid	4	08MY
-	697196	Screw/washer, M8 x 14, hinge to body	4	07MY
-	703188	Screw, M8 x 14, hinge to body	4	08MY
5	4G43-L406A10-AB	Gas Strut	2	-
6	4G43-L13A203-AD	Closing plate, lamp, Volante	1	-
7	4G43-L278C90-AA	Seal, closing plate	1	-
8	700113	Screw, M5 x 10, plate to lid	6	07MY
-	703179	Screw, M5 x 10, plate to lid	6	08MY
9	4G43-012M5TA-AA	Insert, closing plate	5	-
10	4G43-16K808-AA	Buffer assy, hood bumper	2	-
11	699877	Nut flg, M6, buffer assy	2	07MY
-	W705764-S440	Nut flg, M6, buffer assy	2	08MY
-	4G43-68632-BA	Nut cap, M6, plastic, black	8	-

[Contents](#)

DB9 - BODY SYSTEM



Floor Trim

Item	Part Number	Description	Qty	Remarks
-	6G33-9662-AA	Footrest assy, RHD	1	-
1	6G33-3N234-AA	Bracket footrest, RHD	1	-

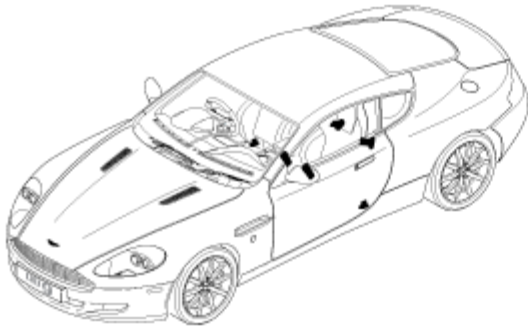
-	4G43-3N328-BE	Bracket footrest, LHD	1	-
2	703151	Screw/washer, M6 x 16	3	-
3	6G33-044J08-AA	Footrest, foam, RHD	1	-
4	6G33-12021-AA	Plate, footrest, RHD	1	-
-	4G43-12020-BA	Pad footrest top, LHD	1	-
5	6G33-E801202-AA	Screw, M5 x 45, st st black	3	-
-	4G43-281B10-ABW	Side carpet kit, RHD	1	07MY
-	8G43-281B10-ABW	Side carpet kit, RHD	1	08MY
-	8G43-281B10-ACW	Side carpet kit, RHD	1	09MY
-	9D33-281B10-CCW	Side carpet kit, RHD	1	09.5MY
-	4G43-281B11-ABW	Side carpet kit, LHD	1	07MY
-	8G43-281B11-ABW	Side carpet kit, LHD	1	08MY
-	8G43-281B11-ACW	Side carpet kit, LHD	1	09MY
-	9D33-281B11-CCW	Side carpet kit, LHD	1	09.5MY
-	9D33-311A76-AC	Speaker grille assy, footwell, RH	1	9.5MY
-	9D33-311A77-AC	Speaker grille assy, footwell, LH	1	9.5MY
6	4G43-13161-ADW	Carpet, tunnel, RH	1	RHD
-	4G43-13162-ADW	Carpet, tunnel, RH	1	LHD
-	4G43-13163-ADW	Carpet, tunnel, LH	1	RHD
-	4G43-13165-AEW	Carpet, tunnel, LH	1	LHD
7	4G43-13144-AEW	Carpet, sill, RH	1	RHD
-	4G43-13149-AEW	Carpet, sill, RH	1	LHD
-	4G43-13141-AEW	Carpet, sill, LH	1	RHD 07MY
-	8G43-13141-ABW	Carpet, sill, LH	1	RHD 08MY
-	4G43-13139-AEW	Carpet, sill, LH	1	LHD 07MY
-	8G43-13139-ABW	Carpet, sill, LH	1	LHD 08MY
8	6G33-13925-AA	Button, push on	3	-
9	697479	Nut, flg, M5	3	-
10	4G43-STC3710-AA	Fir tree, 8mm	2	-
11	4G43-130A12-ACW	Carpet, front floor, RH, RHD	1	-
-	4G43-130A10-ACW	Carpet, front floor, LH, RHD	1	-
-	4G43-130A08-ACW	Carpet, front floor, RH, LHD	1	-
-	4G43-130A09-ACW	Carpet, front floor, LH, LHD	1	-
12	4G43-80-10787	Name plate, front, standard, AM wings	2	-
-	4G43-132A50-BA	Name plate, front, sill, personalised	2	Le Mans
-	697687	Screw, No6 x 9.5 csk black	4	-
13	4G43-13254-AAW	Sill name pad assy, leather, RH	1	-
-	4G43-13255-AAW	Sill name pad assy, leather, LH	1	-
14	4G43-132A12-BE	Plate, front sill, RH	1	07MY

-	8G43-132A12-AA	Plate, front sill, RH	1	08MY
-	4G43-132A13-BE	Plate, front sill, LH	1	07MY
-	8G43-132A13-AA	Plate, front sill, LH	1	08MY
15	702084	Screw, M5 x 12	2	-
16	4G43-13218-BA	Bracket, scuff to sill	4	-
17	4G43-3L657-AA	Screw, M5 x 20 csk black	4	07MY
-	W505734-S307	Screw, M5 x 20 flat head torx	4	08MY
18	699123	Screw, tap, 4.2 x 13, sill to mounting block	8	-
19	4G43-831236-AAW	Gaiter assy, handbrake, RHD	1	07MY
-	4G43-831237-AAW	Gaiter assy, handbrake, LHD	1	07MY
20	4G43-M4D4515-AA	Foam, handbrake gaiter	1	-
21	6G33-M1H403-AA	Cover, floor pan	4	-
22	6G33-666A40-AB	Finisher, carpet, RHS	1	-
23	6G33-666A41-AB	Finisher, carpet, LHS	1	-
24	6G33-68D11-AA	Screw, cap, M5 x 12	4	-
25	6G33-68D11-BA	Screw, cap, M5 x 20	4	-
26	4G43-100A90-AA	Support, rear floor, RH	1	-
-	4G43-100A91-AA	Support, rear floor, LH	1	07MY
-	4G43-100A91-BA	Support, rear floor, LH sat nav	1	07MY
27	702217	Screw, button head, M5 x 16	2	-
28	700384	Washer, M5 x 19 x 1.5	4	-
29	6G33-100N00-AA	Adhesive tape, carpet	3	-
30	4G43-130A36-ACW	Carpet, rear footwell, RH	1	-
-	4G43-130A37-ACW	Carpet, rear footwell, LH	1	07MY
-	8G43-130A37-ACW	Carpet, rear footwell, LH	1	08MY
31	4G43-18449-BD	Scuff plate, accelerator, LHD	1	-
32	4G43-2B099-AB	Bracket, scuff plate, reinf, accelerator, LHD	1	-
33	9D33-311A76-AD	Speaker grille assy, footwell, RH	1	-
34	9D33-311A77-AD	Speaker grille assy, footwell, RH	1	-
35	4G43-83-10365	Carpet kit, front/rear Obsidian, RHD	1	All Model Years
-	4G43-83-10389	Carpet kit, front/rear Obsidian, LHD	1	All Model Years
-	4G43-83-10381	Carpet kit, side/centre Obsidian, RHD	1	All Model Years
-	4G43-83-10405	Carpet kit, side/centre Obsidian, LHD	1	All Model Years
-	4G43-83-10366	Carpet kit, front/rear Black cherry, RHD	1	All Model Years
-	4G43-83-10390	Carpet kit, front/rear Black cherry, LHD	1	All Model Years
-	4G43-83-10382	Carpet kit, side/centre Black cherry, RHD	1	All Model Years
-	4G43-83-10406	Carpet kit, side/centre Black cherry, LHD	1	All Model Years
-	4G43-83-10367	Carpet kit, front/rear Parliament green, RHD	1	All Model Years
-	4G43-83-10391	Carpet kit, front/rear Parliament green, LHD	1	All Model Years

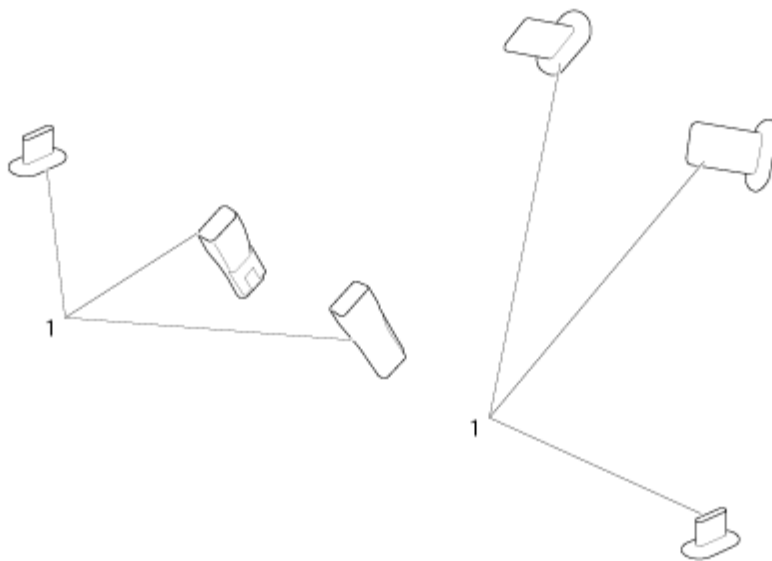
-	4G43-83-10383	Carpet kit, side/cent Parliament green, RHD	1	All Model Years
-	4G43-83-10407	Carpet kit, side/cent Parliament green, LHD	1	All Model Years
-	4G43-83-10368	Carpet kit, front/rear Sandstorm, RHD	1	All Model Years
-	4G43-83-10392	Carpet kit, front/rear Sandstorm, LHD	1	All Model Years
-	4G43-83-10384	Carpet kit, side/centre Sandstorm, RHD	1	All Model Years
-	4G43-83-10408	Carpet kit, side/centre Sandstorm, LHD	1	All Model Years
-	4G43-83-10369	Carpet kit, front/rear Blue haze, RHD	1	All Model Years
-	4G43-83-10393	Carpet kit, front/rear Blue haze, LHD	1	All Model Years
-	4G43-83-10385	Carpet kit, side/centre Blue haze, RHD	1	All Model Years
-	4G43-83-10409	Carpet kit, side/centre Blue haze, LHD	1	All Model Years
-	4G43-83-10370	Carpet kit, front/rear Caspian blue, RHD	1	All Model Years
-	4G43-83-10394	Carpet kit, front/rear Caspian blue, LHD	1	All Model Years
-	4G43-83-10386	Carpet kit, side/centre Caspian blue, RHD	1	All Model Years
-	4G43-83-10410	Carpet kit, side/centre Caspian blue, LHD	1	All Model Years
-	4G43-83-10371	Carpet kit, front/rear Phantom grey, RHD	1	All Model Years
-	4G43-83-10395	Carpet kit, front/rear Phantom grey, LHD	1	All Model Years
-	4G43-83-10387	Carpet kit, side/centre Phantom grey, RHD	1	All Model Years
-	4G43-83-10411	Carpet kit, side/centre Phantom grey, LHD	1	All Model Years
-	4G43-83-10372	Carpet kit, front/rear Bitter chocolate, RHD	1	All Model Years
-	4G43-83-10396	Carpet kit, front/rear Bitter chocolate, LHD	1	All Model Years
-	4G43-83-10388	Carpet kit, side/centre Bitter chocolate, RHD	1	All Model Years
-	4G43-83-10412	Carpet kit, side/centre Bitter chocolate, LHD	1	All Model Years
-	9G43-83-11017	Carpet kit, front/rear Sahara Tan, RHD	1	All Model Years
-	9G43-83-11018	Carpet kit, front/rear Sahara Tan, LHD	1	All Model Years
-	9G43-83-11020	Carpet kit, side/centre Sahara Tan, RHD	1	All Model Years
-	9G43-83-11022	Carpet kit, side/centre Sahara Tan, LHD	1	All Model Years

[Contents](#)

DB9 Body System



DB9
01 BODY SYSTEM



April 2007
010501-B3
Auxiliary Interior Trim

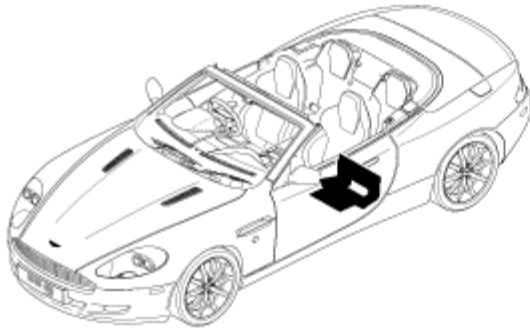
Auxiliary Interior Trim

Item	Part Number	Description	Qty	Remarks
1	4G43-613A68-ABW	Leather seat belt kit	1	-
-	4G43-F2159-AA	Pad, foam, seat belt buckle	2	-
-	4G43-C84959-AA	Panel, foam, seat belt buckle	2	-

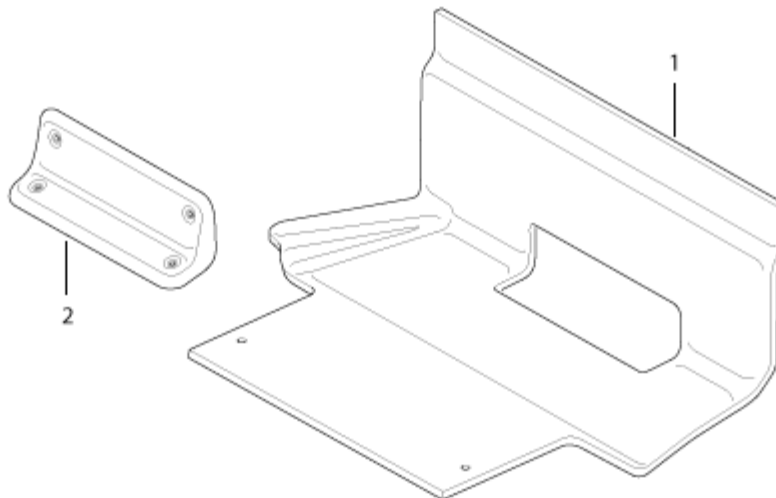
-	4G43-612A64-FA	Support, front seat belt buckles	1	-
-	4G43-610D62-AAW	Cover assy, seat belt buckle	2	-

[Contents](#)

DB9 Body System



DB9
01 BODY SYSTEM



July 2007
010501-B5
Floor Trim, Volante

Floor Trim, Volante

Item	Part Number	Description	Qty	Remarks
1	4G43-L130A38-ACW	Carpet, Rear Floor LH, Volante	1	07MY
-	8G43-130A38-ACW	Carpet, Rear Floor LH, Volante	1	08MY
2	4G43-10K973-AAW	Cover, NAV Modulator	1	07MY
-	702503	Screw, M4 x 20 pan pozi, black	4	-

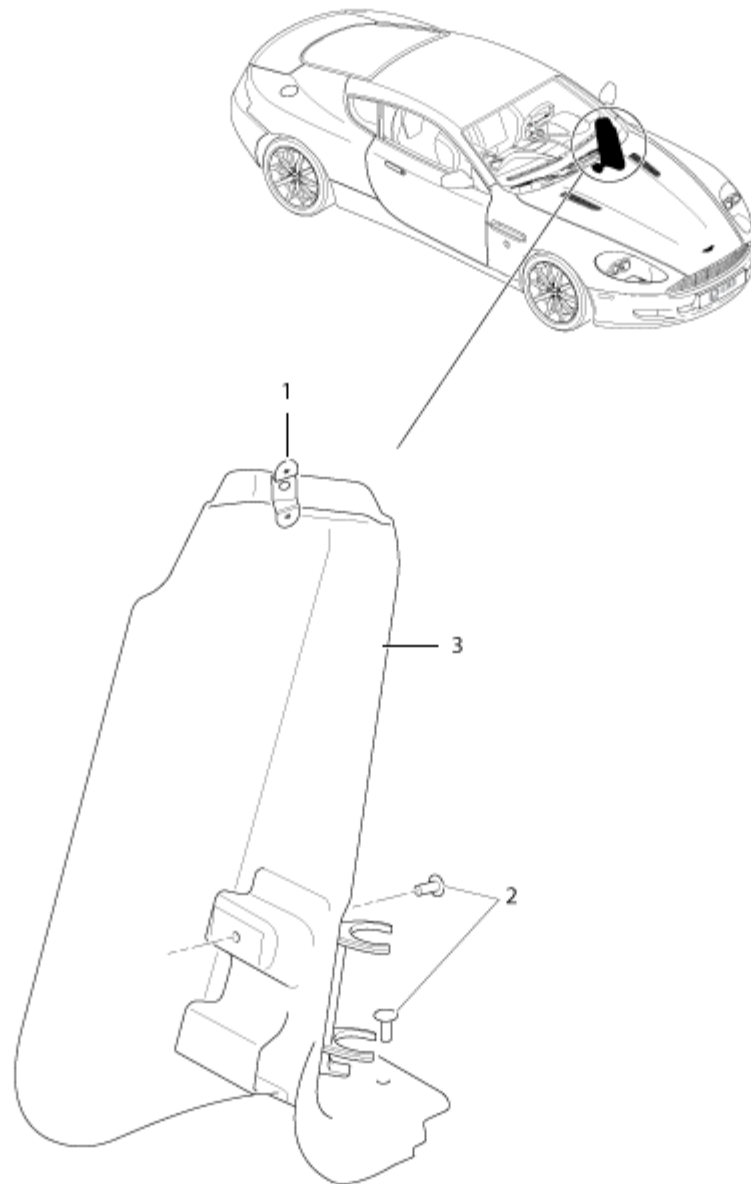


[Contents](#)

DB9 Body System

DB9

01 BODY SYSTEM



July 2007

010502-B1

Cowl Side Trim Lower, LHD

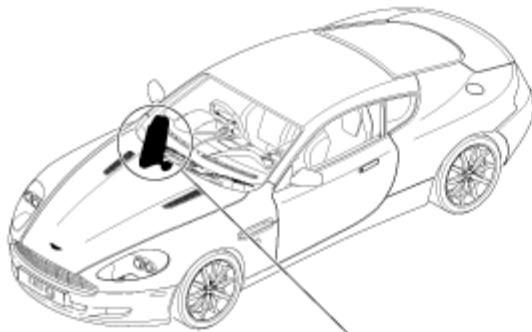
Cowl Side Trim Lower, LHD

Item	Part Number	Description	Qty	Remarks
1	4G43-020A92-AB	Bracket, trim panel	2	-
2	4G43-3678AA-AA	Fastener, fir tree	6	-
3	4G43-02348-BFW	Trim assy, cowl side lower, RH	1	-

-	4G43-02348-AFW	Trim assy, cowl side lower, LH	1	-
---	--------------------------------	--------------------------------	---	---

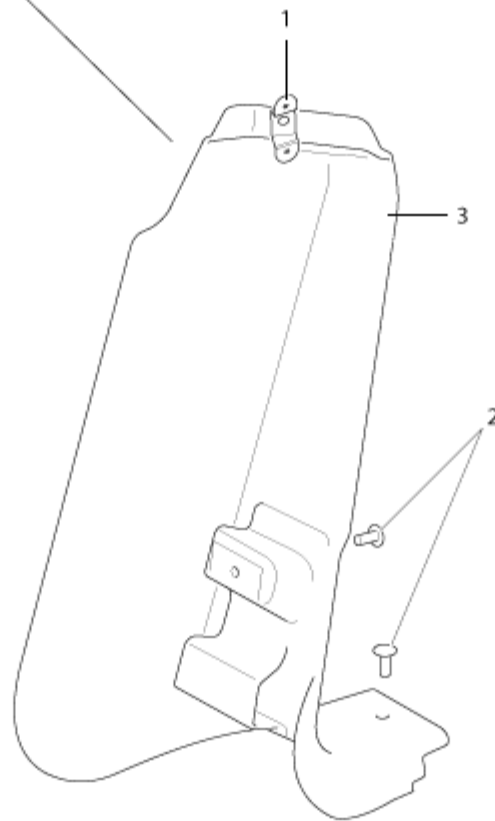
[Contents](#)

DB9 Body System



DB9

01 BODY SYSTEM



July 2007

010502-B2

Cowl Side Trim Lower RHD

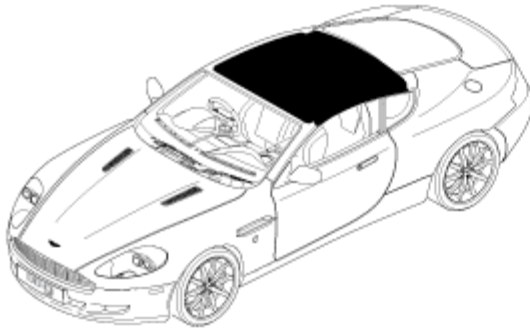
Cowl Side Trim Lower RHD

Item	Part Number	Description	Qty	Remarks
1	4G43-020A92-AB	Bracket, trim panel	2	-
2	4G43-3678AA-AA	Fastener, fir tree	4	-
3	4G43-02349-BFW	Trim assy, cowl side lower, RH	1	-

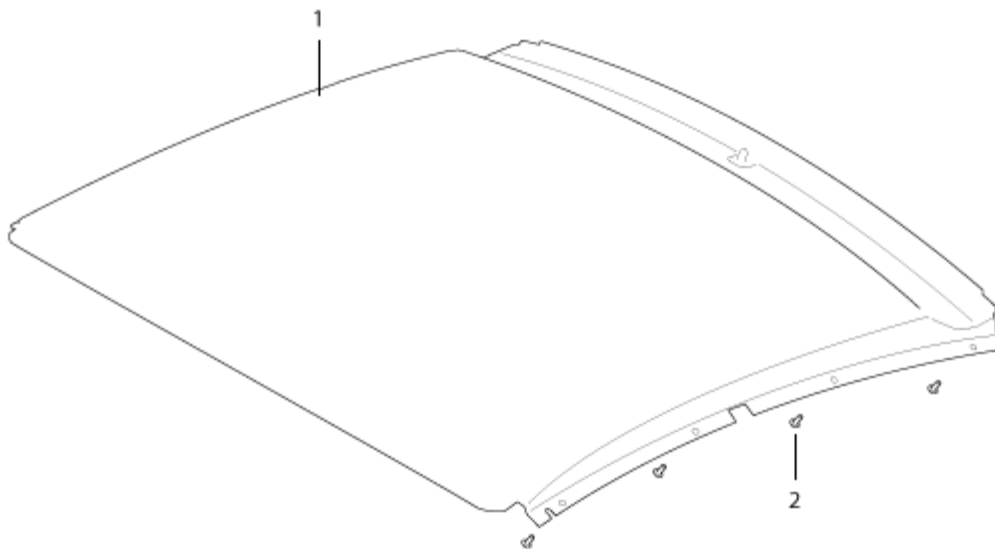
-	4G43-02349-AFW	Trim assy, cowl side lower, LH	1	-
---	--------------------------------	--------------------------------	---	---

[Contents](#)

DB9 Body System



DB9
01 BODY SYSTEM



July 2007
010503-B1
Headliner Assy

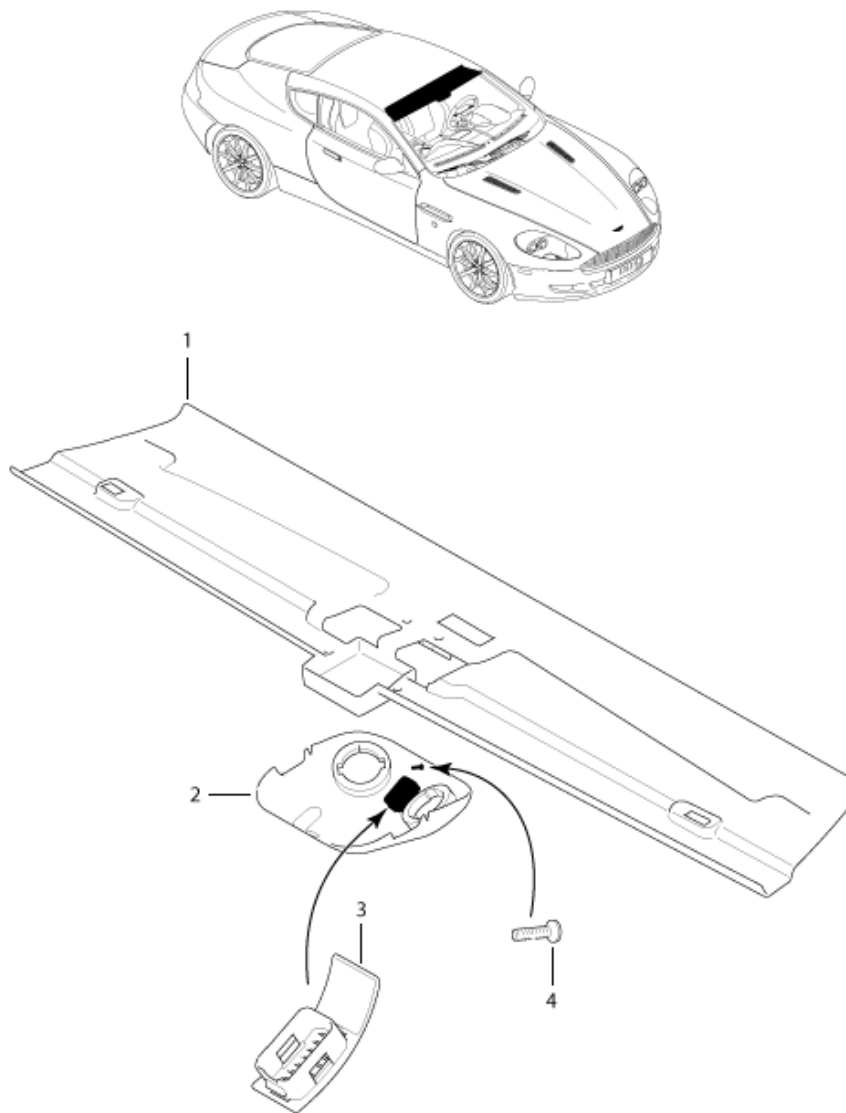
Headliner Assy

Item	Part Number	Description	Qty	Remarks
1	4G43-51916-ACW	Headlining assy, roof	1	-
2	4G43-MXC1800-AA	Fastener, fir tree	8	-
-	2R83-519D36-AA	Locator, headlining	1	-

[Contents](#)

DB9 Body System

DB9
01 BODY SYSTEM



April 2008
010503-B2
Header Trim Coupe LHD

Header Trim Coupe LHD

Item	Part Number	Description	Qty	Remarks
1	4G43-03408-ABW	Header trim, coupe, LHD	1	06MY
-	7G43-03408-BAW	Header trim, coupe, LHD	1	07MY
-	8G43-03408-ABW	Header trim, coupe, LHD	1	08MY
2	4G43-519A58-CAW	Console assy, front	1	06MY
-	7G43-519A58-AAW	Console assy, front	1	07MY
-	7G33-L519A58-ABW	Console assy, front	1	08MY
3	4G43-19G379-AA	Retainer, microphone bezel	1	07/08

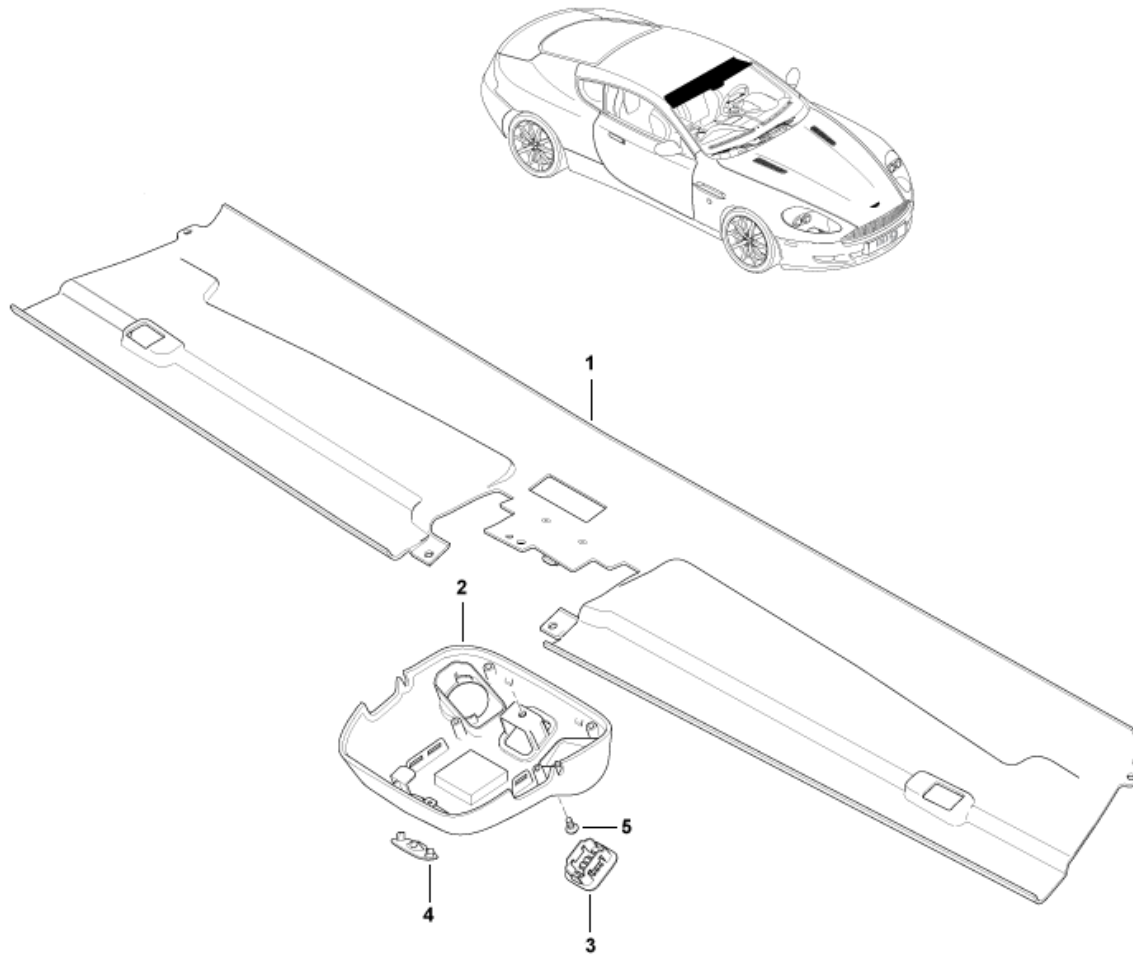
4	701654	Screw, No 4 x 12, flng, console to header	1	-
---	------------------------	---	---	---

[Contents](#)

DB9 - BODY SYSTEM

DB9

01 BODY SYSTEM

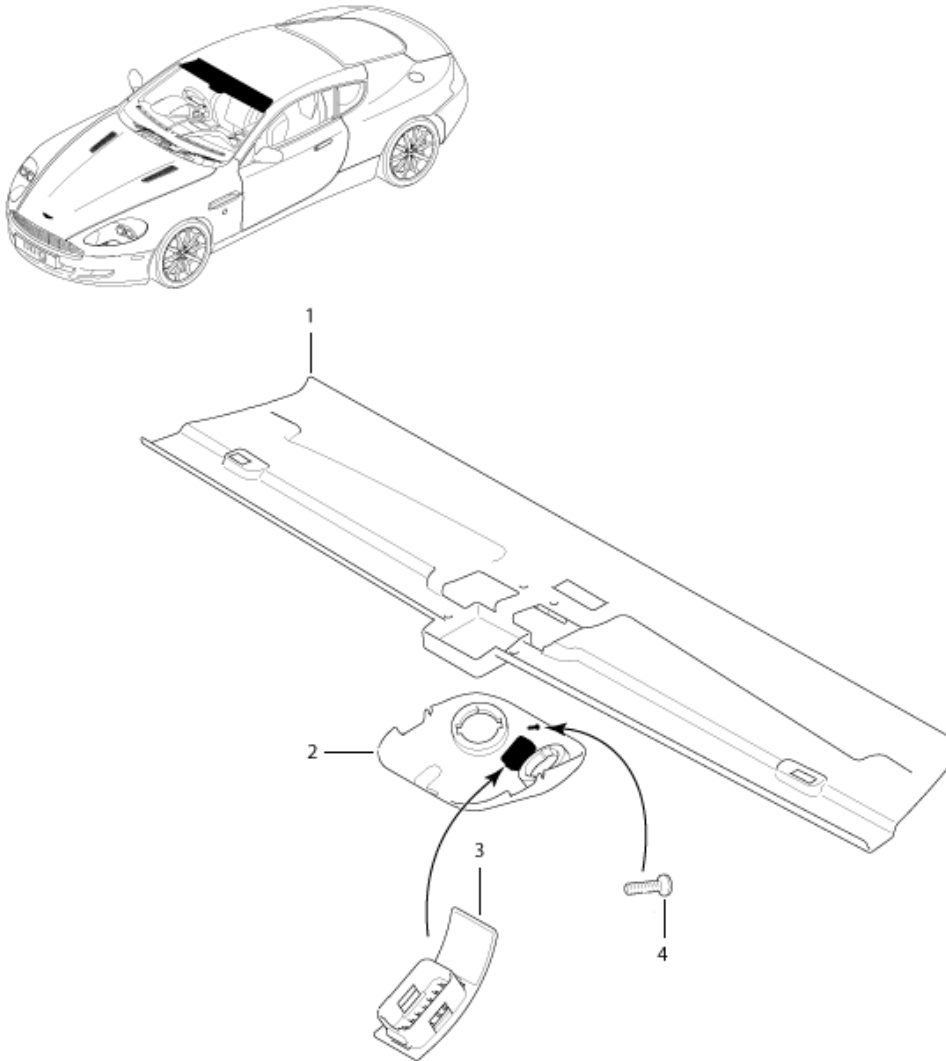


April 2008
010503-B3
Header Trim Coupe LHD 09MY

Header Trim Coupe, LHD 09MY

Item	Part Number	Description	Qty	Remarks
1	8D33-03408-ACW	Panel assy, windshield header, LHD	1	-
2	8D33-519A58-ADW	Console assy, roof front	1	-
3	8D33-19G379-AB	Retainer, microphone bezel	1	-
4	8D33-13E714-AB	Bezel, lamp ambient	1	-
5	701441-PK	Screw, 4.2 x 13, washer head	1	-

DB9
01 BODY SYSTEM



April 2008
010503-B4
Header Trim Coupe RHD

Header Trim Coupe RHD

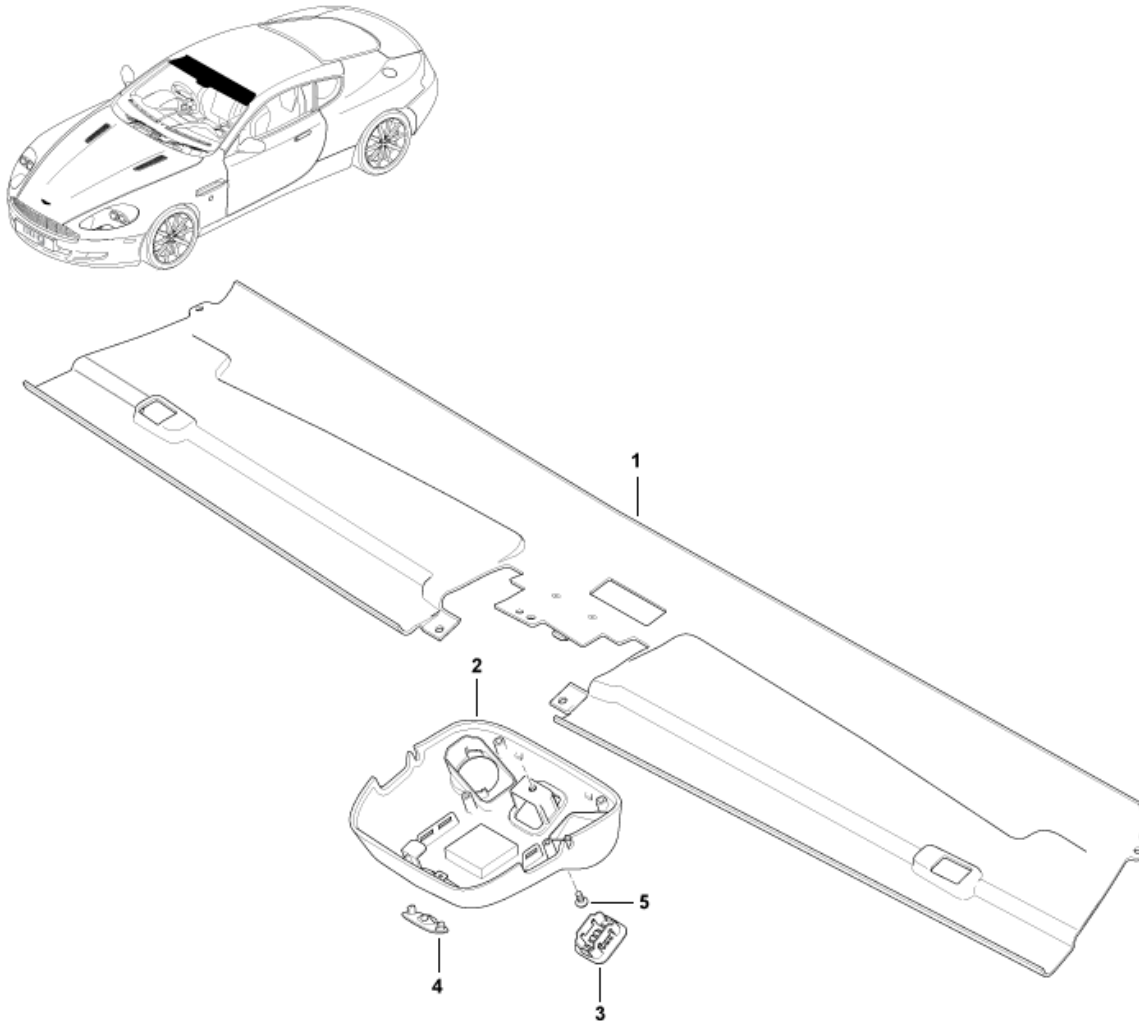
Item	Part Number	Description	Qty	Remarks
1	4G43-03409-ABW	Header trim, coupe, RHD	1	06MY
-	7G43-03409-BAW	Header trim, coupe, RHD	1	07MY
-	8G43-03409-ABW	Header trim, coupe, RHD	1	08MY
2	4G43-519A58-CAW	Console assy, front	1	06MY
-	7G43-519A58-AAW	Console assy, front	1	07MY
-	7G33-L519A58-ABW	Console assy, front	1	08MY
3	4G43-19G379-AA	Retainer, microphone bezel	1	-
4	701654	Screw, No 4 x 12, flng, console to header	1	-

[Contents](#)

DB9 - BODY SYSTEM

DB9

01 BODY SYSTEM



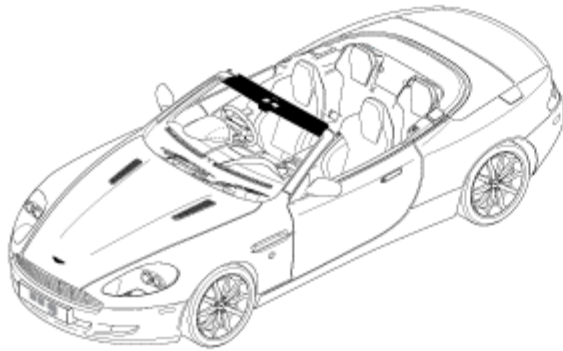
April 2008
010503-B5
Header Trim Coupe RHD 09MY

Header Trim Coupe RHD 09MY

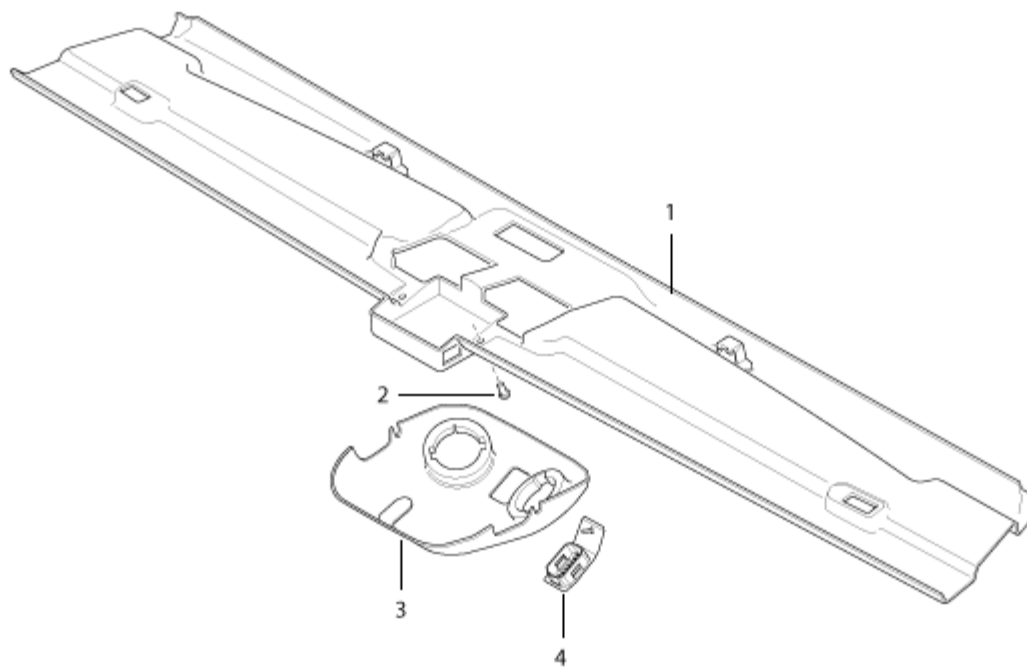
Item	Part Number	Description	Qty	Remarks
1	8D33-03409-ACW	Panel assy, windshield header, RHD	1	09 MY
2	8D33-519A58-ADW	Console assy, roof front	1	09 MY
3	8D33-19G379-AB	Retainer, microphone bezel	1	09 MY
4	8D33-13E714-AB	Bezel, lamp ambient	1	09 MY
5	701441-PK	Screw, 4.2 x 13, washer head	1	-

[Contents](#)

DB9 Body System



DB9
01 BODY SYSTEM



July 2007
010503-B6
Header Trim, Volante

Header Trim, Volante

Item	Part Number	Description	Qty	Remarks
1	4G43-L03408-ACW	Windshield header assy, LHD	1	06MY
-	7G43-L03408-BAW	Windshield header assy, LHD	1	07MY
-	8G43-L03408-ABW	Windshield header assy, LHD	1	08MY

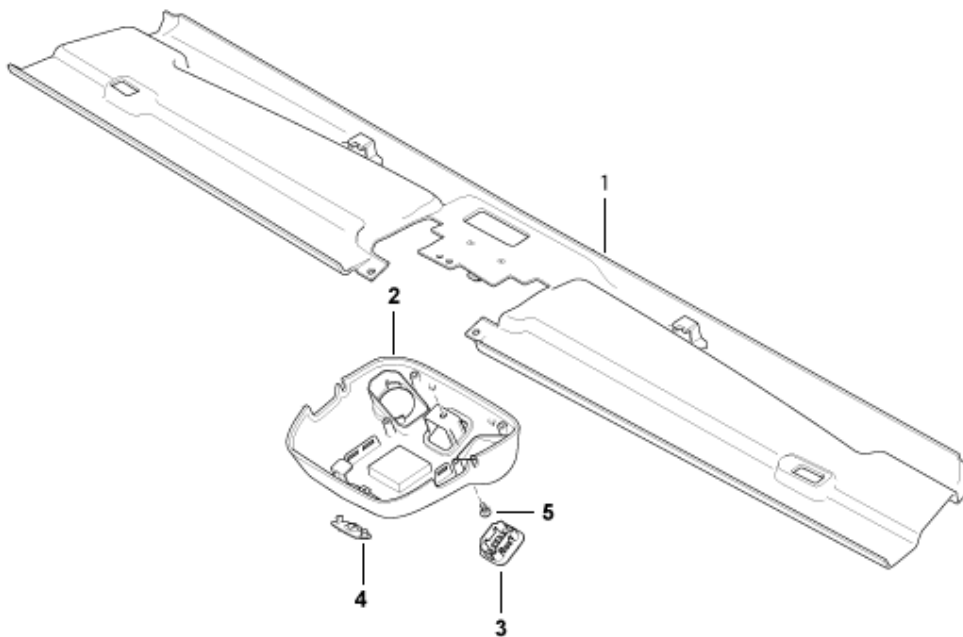
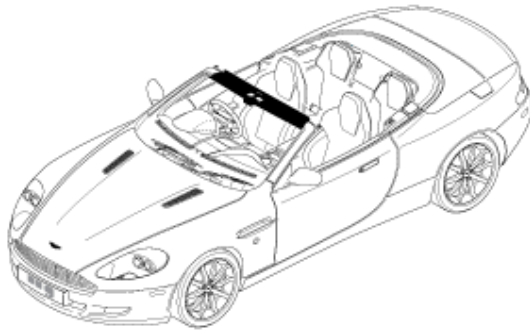
-	4G43-L03409-ACW	Windshield header assy, RHD	1	06MY
-	7G43-L03409-BAW	Windshield header assy, RHD	1	07MY
-	8G43-L03409-ABW	Windshield header assy, RHD	1	08MY
2	701668	Screw, M4 x 8 pan head	2	-
3	4G43-519A58-CAW	Console assy, front	1	06MY
-	7G43-519A58-AAW	Console assy, front	1	07MY
-	7G33-L519A58-ABW	Console assy, front	1	08MY
4	4G43-19G379-AA	Retaining bezel, microphone	1	-

[Contents](#)

DB9 - BODY SYSTEM

DB9

01 BODY SYSTEM



LHD ILLUSTRATED

April 2008

010503-B7

Header Trim, Volante 09MY

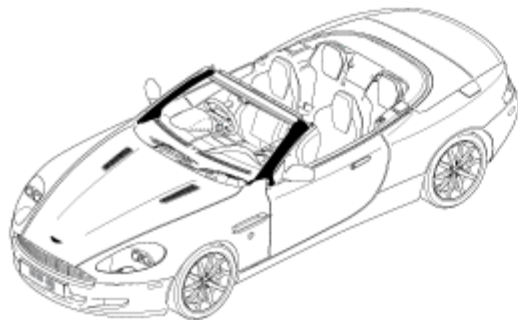
Header Trim, Volante 09MY

Item	Part Number	Description	Qty	Remarks
1	9G43-L03409-ADW	Panel assy, windshield header, RHD	1	-
-	9G43-L03408-ADW	Panel assy, windshield header, LHD	1	-
-	9G43-L03531-AC	Moulding assy, windshield header, RHD	1	-
-	9G43-L03532-AC	Moulding assy, windshield header, LHD	1	-
2	8D33-519A58-ADW	Console assy, roof, front	1	-

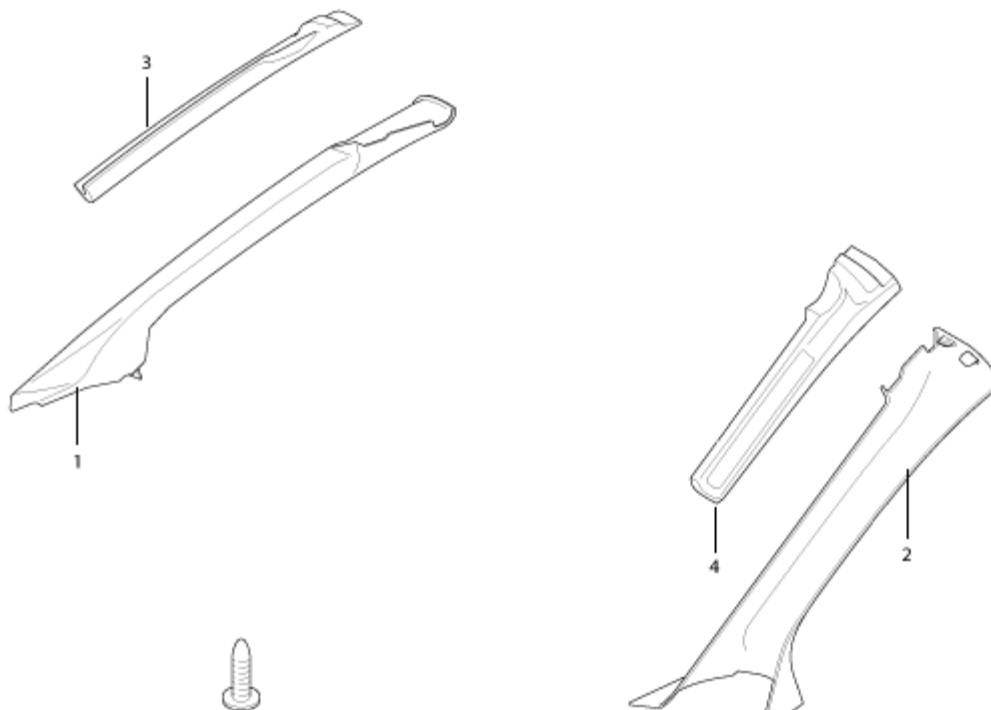
3	8D33-19G379-AB	Retainer, microphone bezel	1	-
4	8D33-13E714-AB	Bezel, lamp ambient	1	-
5	701441	Screw, 4.2 x 13, washer head	1	-

[Contents](#)

DB9 Body System



DB9
01 BODY SYSTEM



January 2006
010503-B8
Pillar Trim Upper, Volante

Pillar Trim Upper, Volante

Item	Part Number	Description	Qty	Remarks
1	4G43-L025B38-ADW	Panel, A pillar trim RH	1	-
2	4G43-L025B39-ADW	Panel, A pillar trim LH	1	-
3	6G33-L40380-AA	Energy Absorber, pillar RH	1	-

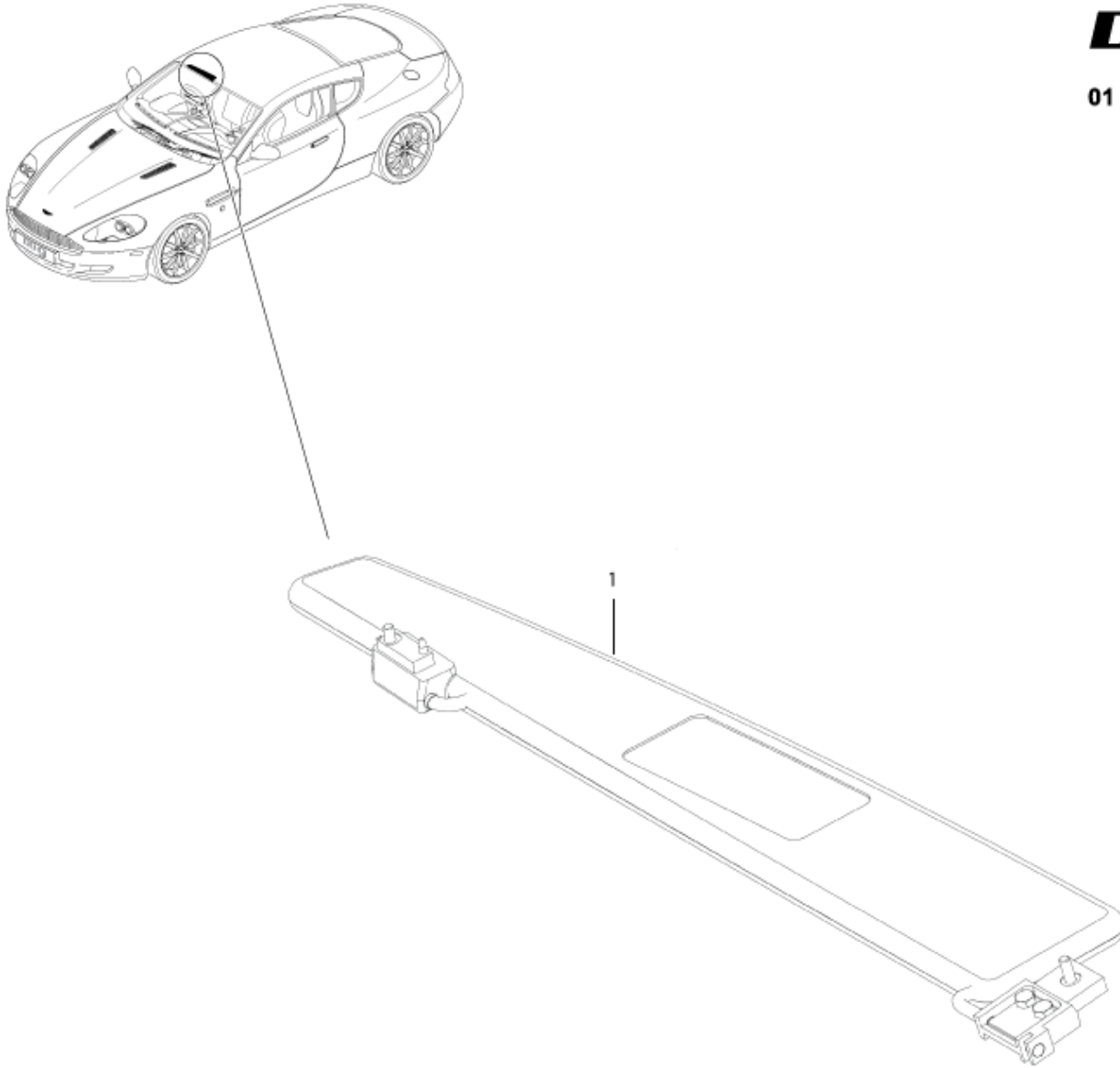
4	6G33-L40381-AA	Energy Absorber, pillar LH	1	-
-	4G43-519A36-BE	Finisher, A pillar, LH	1	-
-	4G43-519A37-BE	Finisher, A pillar, RH	1	-
-	4G43-3678AA-AA	Fir tree, A pillar finisher to body	16	-
-	4G43-51757-AA	Screw, M4 self tap, A pillar finisher attach	2	-
-	701656	Retainer, A pillar finisher to body	10	-

[Contents](#)

DB9 - BODY SYSTEM

DB9

01 BODY SYSTEM



July 2007
010504-B1
Visor Assy

Visor Assy

Item	Part Number	Description	Qty	Remarks
1	4G43-69320-ABW	Sun visor assy, RH	1	07MY
-	8G43-69320-BAW	Sun visor assy, RH	1	08MY
-	4G43-69321-ABW	Sun visor assy, LH	1	07MY
-	8G43-69321-BAW	Sun visor assy, LH	1	08MY
-	4G43-04122-AB	Bracket, outboard fixing, RH	1	07MY

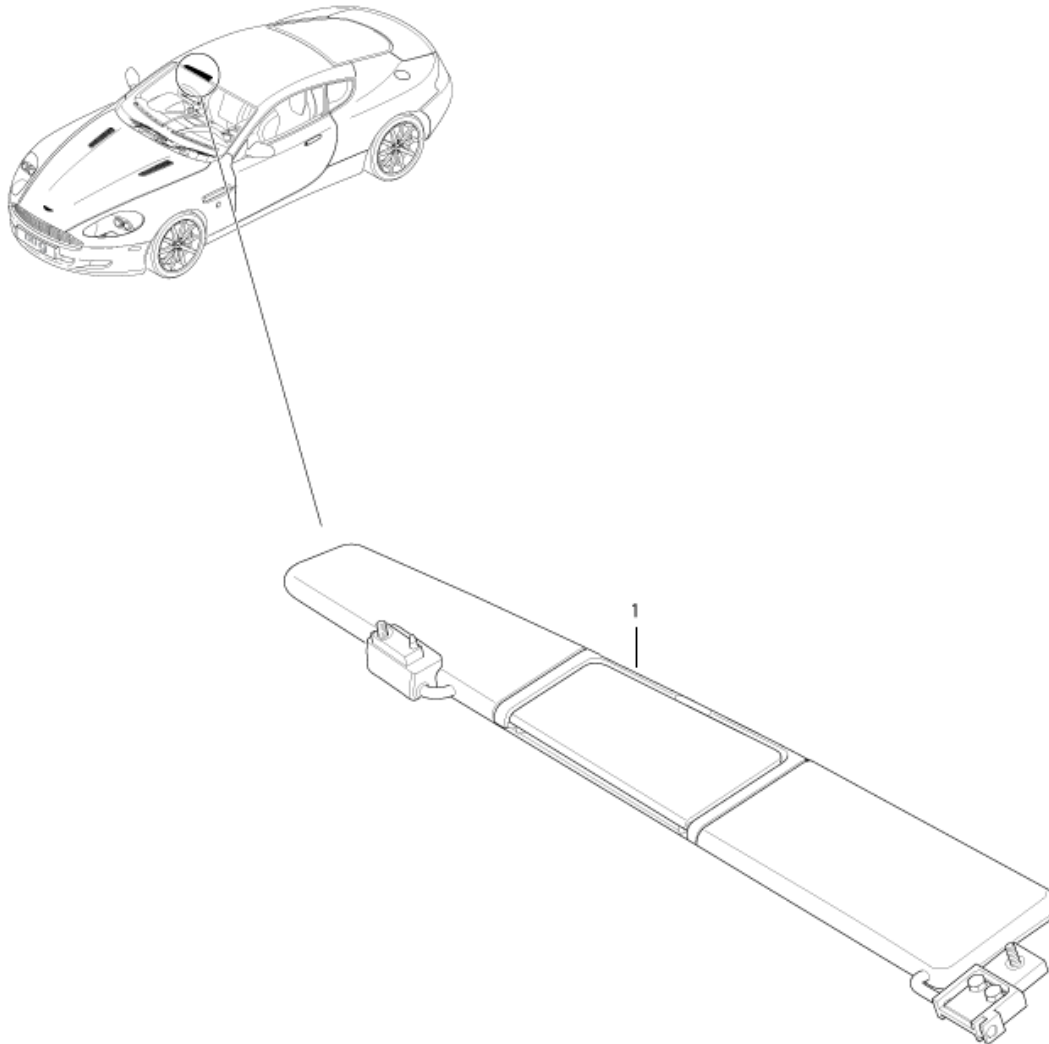
-	4G43-04122-AC	Bracket, outboard fixing, RH	1	08MY
-	4G43-04123-AB	Bracket, outboard fixing, LH	1	07MY
-	4G43-04123-AC	Bracket, outboard fixing, LH	1	08MY
-	4G43-04140-AB	Bracket, inboard fixing	2	-

[Contents](#)

DB9 - BODY SYSTEM

DB9

01 BODY SYSTEM

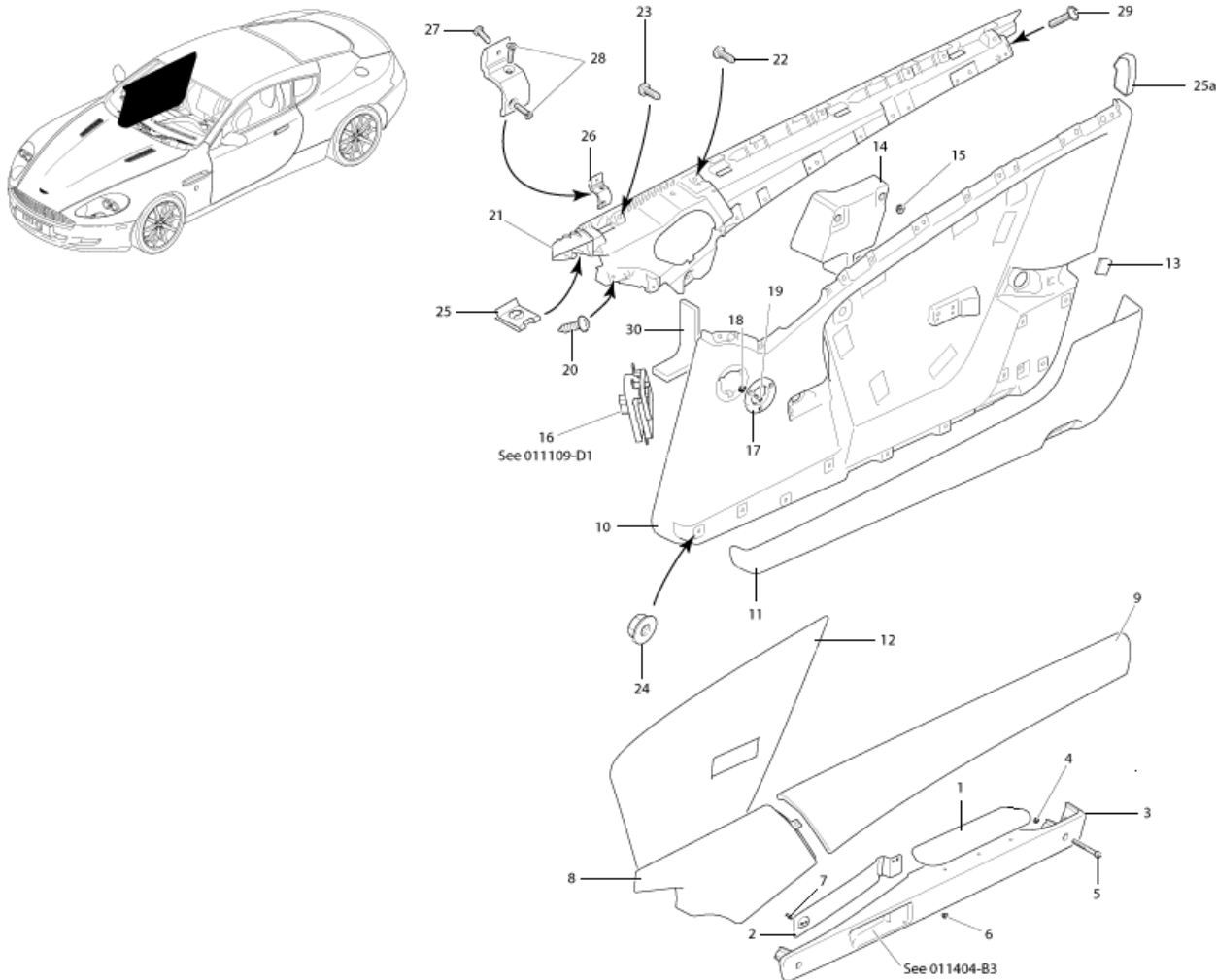


March 2008
010504-B2
Visor Assy, 09MY

Visor Assy, 09MY

Item	Part Number	Description	Qty	Remarks
1	8G43-69320-BCW	Sun visor assy, RH	1	09MY
-	8G43-69321-BCW	Sun visor assy, LH	1	09MY
-	4G43-04122-AC	Bracket, outboard fixing, RH	1	09MY
-	4G43-04123-AC	Bracket, outboard fixing, LH	1	09MY
-	4G43-04140-AC	Bracket, inboard fixing, RH	2	09MY
-	4G43-04141-AC	Bracket, inboard fixing, LH	2	09MY

DB9
01 BODY SYSTEM



Front Side Door Trim

Item	Part Number	Description	Qty	Remarks
-	4G43-23942-BFW	Panel assy, front door trim, RH, RHD	1	Leather top roll
-	7G43-23942-AAW	Panel assy, front door trim, RH, LHD	1	Leather top roll
-	4G43-23943-BFW	Panel assy, front door trim, LH, RHD	1	Leather top roll
-	7G43-23943-AAW	Panel assy, front door trim, LH, LHD	1	Leather top roll
-	4G43-23942-DBW	Panel door trim upper veneer RH, RHD	1	Walnut veneer
-	4G43-23942-CBW	Panel door trim upper veneer, RH, LHD	1	Walnut veneer
-	4G43-23943-DBW	Panel door trim upper veneer, LH, RHD	1	Walnut veneer
-	4G43-23943-CBW	Panel door trim upper veneer, LH, LHD	1	Walnut veneer
-	4G43-23942-FBW	Panel door trim upper veneer, RH, RHD	1	Mahogany veneer
-	4G43-23942-EBW	Panel door trim upper veneer, RH, LHD	1	Mahogany veneer
-	4G43-23943-FBW	Panel door trim upper veneer, LH, RHD	1	Mahogany veneer
-	4G43-23943-EBW	Panel door trim upper veneer, LH, LHD	1	Mahogany veneer
-	4G43-23942-HBW	Panel door trim upper veneer, RH, RHD	1	Bamboo veneer

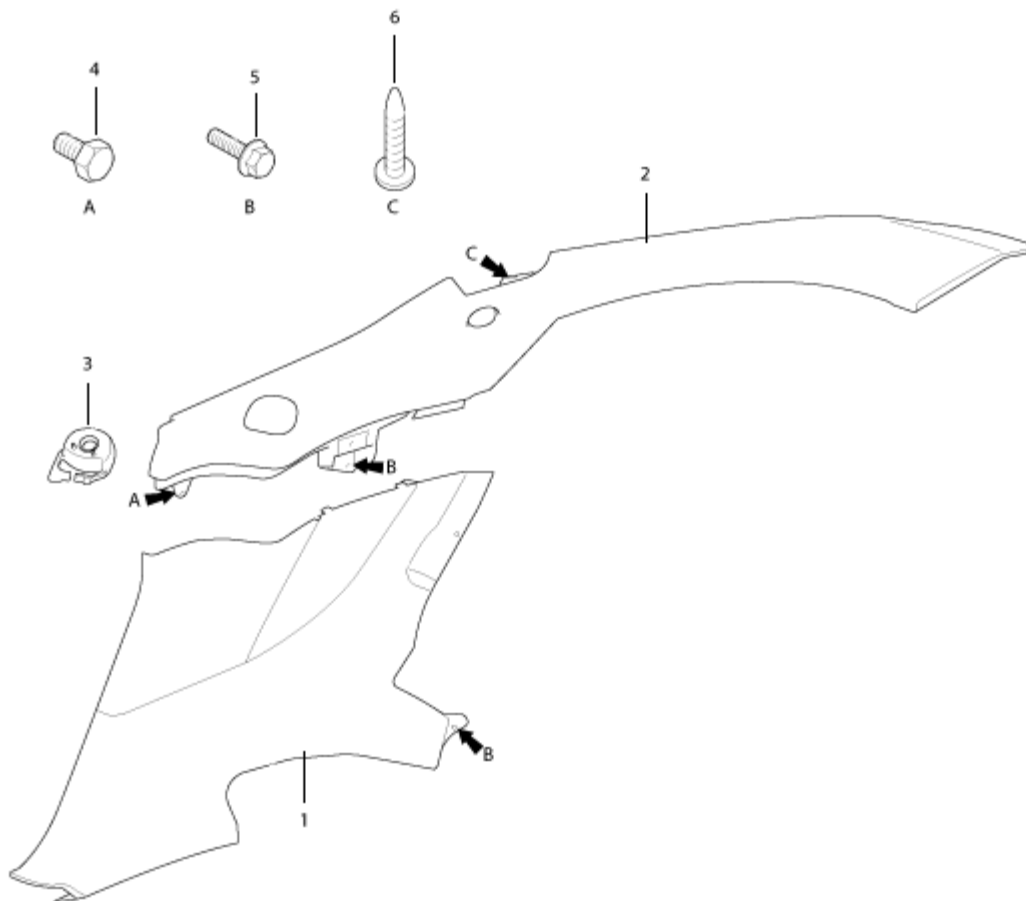
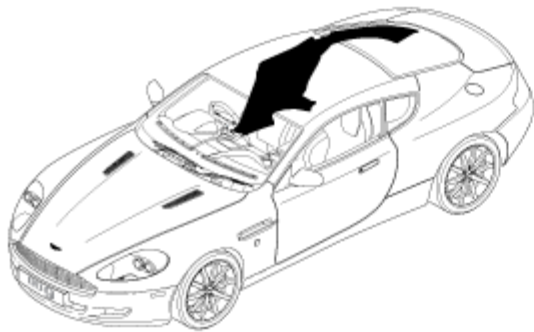
-	4G43-23942-GBW	Panel door trim upper veneer, RH, LHD	1	Bamboo veneer
-	4G43-23943-HBW	Panel door trim upper veneer, LH, RHD	1	Bamboo veneer
-	4G43-23943-GBW	Panel door trim upper veneer, LH, LHD	1	Bamboo veneer
-	4G43-23942-KBW	Panel assy, front door trim, RH, RHD	1	Piano black
-	4G43-23943-KBW	Panel assy, front door trim, LH, RHD	1	Piano black
-	4G43-23942-JBW	Panel assy, front door trim, RH, LHD	1	Piano black
-	4G43-23943-JBW	Panel assy, front door trim, LH, LHD	1	Piano black
-	4G43-24141-ACW	Armrest assy, door pull, LH	1	-
-	4G43-24140-ACW	Armrest assy, door pull, RH	1	-
1	4G43-24070-AAW	Pad assy, door armrest upper, RH	1	-
-	4G43-24071-AAW	Pad assy, door armrest upper, LH	1	-
2	4G43-24242-ADW	Insert assy, armrest, RH	1	-
-	4G43-24243-ADW	Insert assy, armrest, LH	1	-
3	4G43-22614-AD	Handle assy, front door, RH	1	Platinum 07MY
-	4G43-22614-AE	Handle assy, front door, RH	1	Platinum 08MY
-	4G43-22615-AD	Handle assy, front door, LH	1	Platinum 07MY
-	4G43-22615-AE	Handle assy, front door, LH	1	Platinum 08MY
-	6G33-22614-AB	Handle assy, front door, RH	1	Anthracite 07MY
-	6G33-22615-AB	Handle assy, front door, LH	1	Anthracite 07MY
4		Washer, paper retainer	2	-
5	4G43-104081-BA	Screw, cap, M6 x 55	4	Door handle attach
6	700986	Nut, M4	3	-
7	701441	Screw, M4 x 13, washer head	2	-
8	4G43-C18978-ADW	Grille, radio speaker, RH	1	-
-	4G43-C18979-ADW	Grille, radio speaker, LH	1	-
-	701448	Nut, 4.2 x 2	1	-
9	4G43-23928-ACW	Panel, door trim, upper, RH	1	Leather top roll
-	4G43-23929-ACW	Panel, door trim, upper, LH	1	Leather top roll
-	4G43-87-10254	Veneer set, door, Walnut	1	-
-	4G43-23928-BAW	Panel, door trim, upper, RH	1	Walnut veneer
-	4G43-23929-BAW	Panel, door trim, upper, LH	1	Walnut veneer
-	4G43-87-10255	Veneer set, door, Mahogany	1	-
-	4G43-23928-CAW	Panel, door trim, upper, RH	1	Mahogany veneer
-	4G43-23929-CAW	Panel, door trim, upper, LH	1	Mahogany veneer
-	4G43-87-10256	Veneer set, door, Bamboo	1	-
-	4G43-23928-DAW	Panel, door trim, upper, RH	1	Bamboo veneer
-	4G43-23929-DAW	Panel, door trim, upper, LH	1	Bamboo veneer
-	4G43-87-10257	Veneer set, door, Piano black	1	-
-	4G43-23928-EAW	Panel, door trim, upper, RH	1	Piano black
-	4G43-23929-EAW	Panel, door trim, upper, LH	1	Piano black
-	4G43-87-10956	Veneer set, door, Tetra Rouge	1	-
-	4G43-23928-FAW	Panel, door trim, upper, RH	1	Tetra Rouge
-	4G43-23929-FAW	Panel, door trim, upper, LH	1	Tetra Rouge
-	9G43-23928-AAW	Panel, door trim, upper, RH	1	Tamo ash veneer 09MY
-	9G43-23929-AAW	Panel, door trim, upper, LH	1	Tamo ash veneer 09MY
10	4G43-23936-AEW	Panel assy, front door trim, lower, RH	1	-
-	4G43-23937-AEW	Panel assy, front door trim, lower, LH	1	-
-	9G43-23936-AAW	Panel assy, front door trim, lower, RH	1	09MY
-	9G43-23937-AAW	Panel assy, front door trim, lower, LH	1	09MY
-	4G43-N805935-AA	Plug, rubber	4	-

11	4G43-23718-AAW	Pocket assy, door, RH	1	Up to (V) A06777
-	4G43-23718-ABW	Pocket assy, door, RH	1	From (V) A06778
-	4G43-23719-AAW	Pocket assy, door, LH	1	Up to (V) A06777
-	4G43-23719-ABW	Pocket assy, door, LH	1	From (V) A06778
12	4G43-23864-AFW	Insert assy, door trim panel, RH	1	-
-	4G43-23865-AFW	Insert assy, door trim panel, LH	1	-
13		Pad, door trim	6	-
14		Bolster, side impact	1	-
15	700986	Nut, M4	4	-
16	4G43-14540-BB	Switch, driver window	1	Platinum
-	4G43-14717-AB	Switch, passenger window	1	Platinum
17	4G43-C237898-AA	Bezel, door trim	2	-
18		Nut, M4 cage	3	-
19	4G43-103081-BA	Screw, M4 x 16, socket head	6	-
20	702086	Screw	15	-
21	4G43-23900-AB	Panel, door trim, upper, RH	1	-
-	4G43-23901-AB	Panel, door trim, upper, LH	1	-
22	703178	Screw, M4	10	-
23	701157	Screw, 4.2 x 16 tap	14	-
24	700986	Nut, M4	4	-
25	701448	Nut, U type	1	-
25a	4G43-237A76-ACW	Cap, front door trim rear, RH	1	-
-	4G43-237A77-ACW	Cap, front door trim rear, LH	1	-
26	4G43-20838-AC	Retainer, door trim, upper	6	-
27	701441	Screw, tap x 13, washer head	10	-
28	4G43-103081-BA	Screw, M4	8	-
29	701573	Screw and washer, M4 x 16, pan head	8	-
-	701025	Screw, self tap, flanged	20	-
-	702086	Screw, Air Conditioning control panel	1	-
30	4G43-02275-AB	Duct, air outlet, lower, RH	1	-
-	4G43-02276-AB	Duct, air outlet, lower, LH	1	-

DB9 Body System

DB9

01 BODY SYSTEM



July 2007
010507-B1
Body Side Quarter Trim Assy

Body Side Quarter Trim Assy

Item	Part Number	Description	Qty	Remarks
1	4G43-31013-ACW	Panel assy, quarter trim lower, LH	1	-
-	4G43-31012-	Panel assy, quarter trim lower, RH	1	-

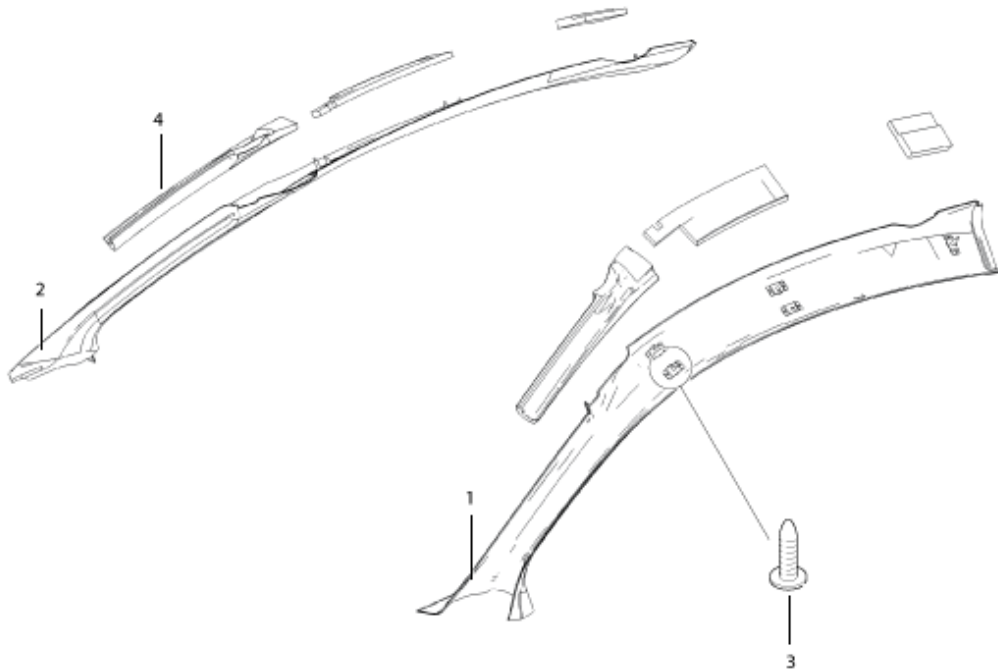
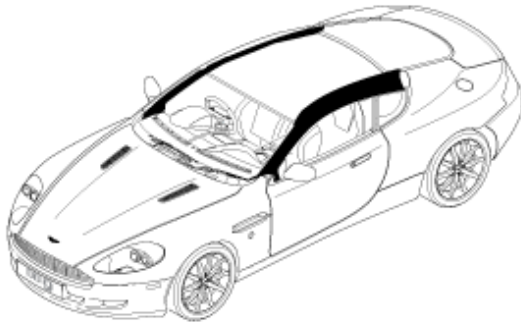
	ACW			
-	4G43-31113-ACW	Panel assy, quarter trim upper, LH	1	Up to (V) A04018
-	4G43-31113-ADW	Panel assy, quarter trim upper, LH	1	From (V) A04019 up to TBA
-	4G43-31113-AHW	Panel assy, quarter trim upper, LH	1	From 09MY
2	4G43-31112-ACW	Panel assy, quarter trim upper, RH	1	Up to (V) A04018
-	4G43-31112-ADW	Panel assy, quarter trim upper, RH	1	From (V) A04019 up to TBA
-	4G43-31112-AHW	Panel assy, quarter trim upper, RH	1	From 09MY
3	4G43-24859-AEW	Bezel, seat belt upper, LH	1	-
3	4G43-24858-AEW	Bezel, seat belt upper, RH	1	-
-	4G43-V850063-AA	Screw, cap, bezel to BC post	2	-
4	692353	Screw M4 x 8		-
5	703026	Screw, M5 x 16	2	-
6	703175	Bolt, M4 x 10, upper quarter to pcking tray	4	-
-	702295	Nut, M5, panel to panel	6	-
-	4G43-310B08-ABW	Grille, speaker, rear lower quarter, RH	1	-
-	4G43-310B09-ABW	Grille, speaker, rear lower quarter, LH	1	-
-	4G43-290E16-AB	Plt, quarter panel, rear	2	-
-	7G43-C2437-AAW	Anti squeak tape, velour	A/R	-

[Contents](#)

DB9 - BODY SYSTEM

DB9

01 BODY SYSTEM



July 2007
010507-B2
Pillar Trim Upper Coupe

Pillar Trim Upper Coupe

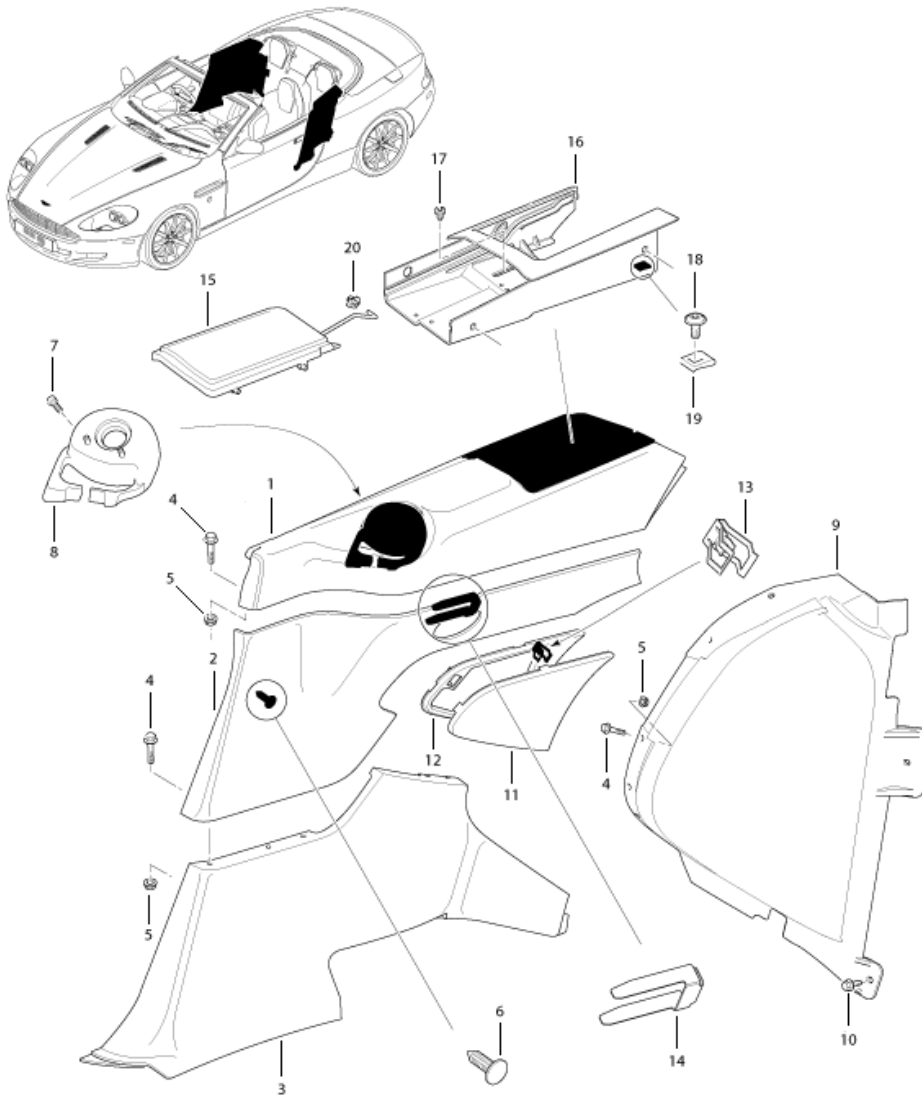
Item	Part Number	Description	Qty	Remarks
1	4G43-025B39-CDW	Panel assy, front pillar, upper, LH	1	07MY
-	8G43-025B39-CAW	Panel assy, front pillar, upper, LH	1	08MY
-	4G43-025B39-CFW	Panel assy, front pillar, upper, LH	1	09MY
2	4G43-025B38-CDW	Panel assy, front pillar, upper, RH	1	07MY

-	8G43-025B38-CAW	Panel assy, front pillar, upper, RH	1	08MY
-	4G43-025B38-CFW	Panel assy, front pillar, upper, RH	1	09MY
3	4G43-STC3710-AA	Fastener, fir tree, A pillar to body	10	-
4	6G33-40380-AB	Trim, pillar upper, coupe, RH	1	-
-	6G33-40381-AB	Trim, pillar upper, coupe, LH	1	-

[Contents](#)

DB9 Body System

DB9
01 BODY SYSTEM



April 2008
010507-B3
Body Side Quarter Trim Assembly, Volante

Body Side Quarter Trim Assembly, Volante

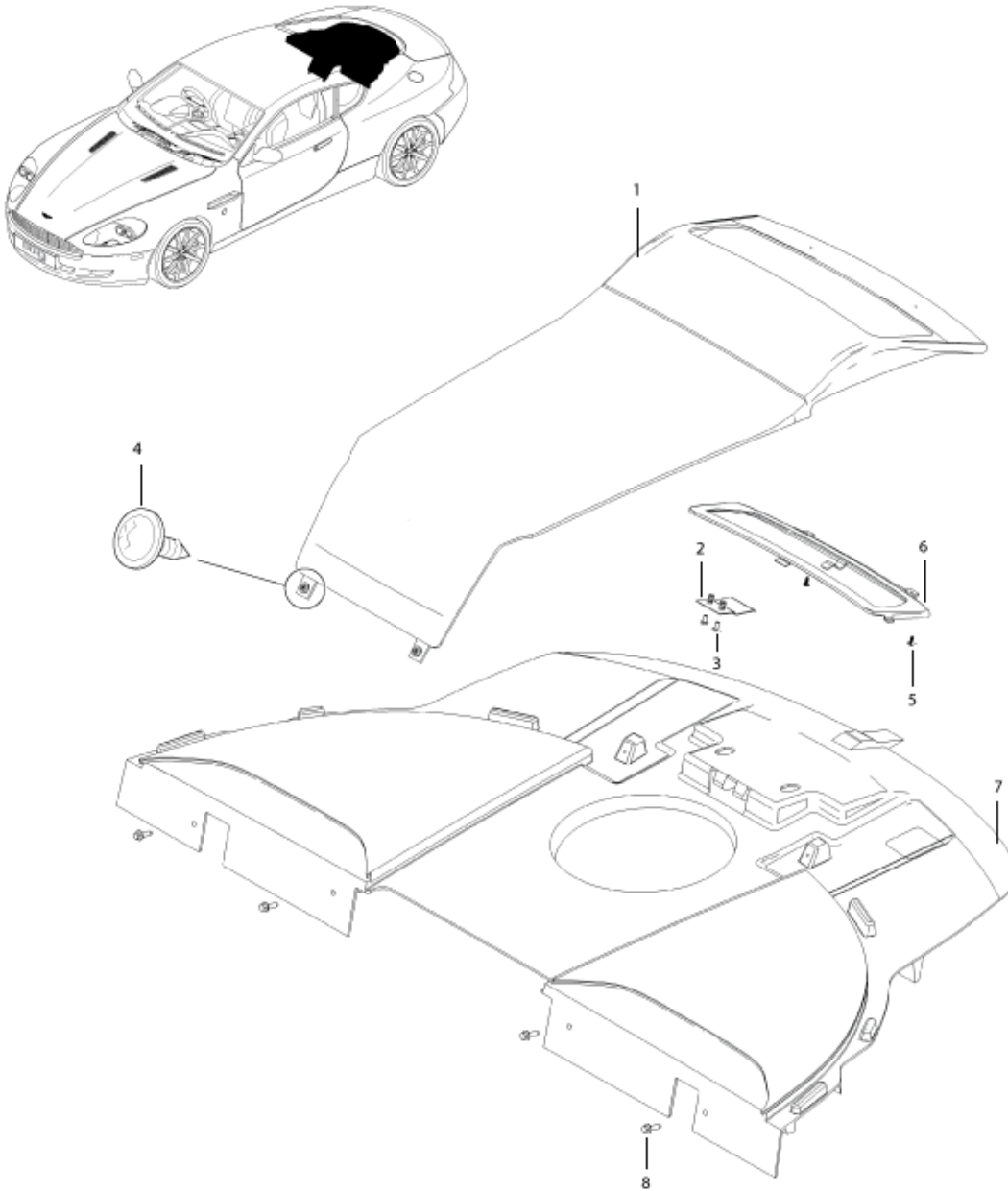
Item	Part Number	Description	Qty	Remarks
1	4G43-L31112-ADW	Panel assy, body side trim, RH	1	Up to (V) B05390
-	4G43-L31113-ADW	Panel assy, body side trim, LH	1	Up to (V) B05390
-	6G43-L31112-AAW	Panel assy, body side trim, RH	1	From (V) B05391
-	6G43-L31113-AAW	Panel assy, body side trim, LH	1	From (V) B05391
2	4G43-L31486-ADW	Panel assy, quarter trim mid section, RH	1	07MY
-	8G43-L31486-AAW	Panel assy, quarter trim mid section, RH	1	08MY
-	4G43-L31487-ADW	Panel assy, quarter trim mid section, LH	1	07MY
-	8G43-L31487-AAW	Panel assy, quarter trim mid section, LH	1	08MY
3	4G43-L312A06-ACW	Panel assy, quarter lower, RH	1	07MY
-	8G43-L312A06-AAW	Panel assy, quarter lower, RH	1	08MY
-	4G43-L312A07-ACW	Panel assy, quarter lower, LH	1	07MY

-	8G43-L312A07-AAW	Panel assy, quarter lower, LH	1	08MY
4	703026	Screw, flg, M5 x 16	4	-
5	702295	Nut M5, hex flg	32	-
6	701581	Fir tree, flat head	2	-
7	4G43-V850063-AA	Screw, M5 x 12 cap	2	-
8	4G43-L24858-AB	Bezel assy, seat belt, RH	1	-
-	4G43-L24859-AB	Bezel assy, seat belt, LH	1	-
9	4G43-L60594-ADW	Panel assy, bolster, RH	1	-
-	4G43-L60595-ADW	Panel assy, bolster, LH	1	-
10	703026	Screw, flg, M5 x 16	32	-
11	4G43-L14501-AAW	Grille assy, speaker, RH	1	-
-	4G43-L14502-AAW	Grille assy, speaker, LH	1	-
12	4G43-310C02-AC	Bracket, speaker grille, RH	1	-
-	4G43-310C03-AC	Bracket, speaker grille, LH	1	-
13	702520	Clip, trim push in	2	-
14	4G43-290E16-AB	Plate, quarter panel, Rear	2	-
15	4G43-539A40-ABW	Flap assy, flip top, RH	1	-
-	4G43-539A41-ABW	Flap assy, flip top, LH	1	-
16	4G43-LB605H20-ACW	Frame assy, RH	1	-
-	4G43-LB605H21-ACW	Frame assy, LH	1	-
17	702211	Screw, M5 x 8, pan head	2	-
18	701440	Screw, 4.2 self tap	2	-
19	701653	Nut M4, U type spring	2	-
20	4G43-1861-AA	Clip	2	-

[Contents](#)

DB9 - BODY SYSTEM

DB9
01 BODY SYSTEM



July 2007
010508-B2
Package Tray Assy

Package Tray Assy

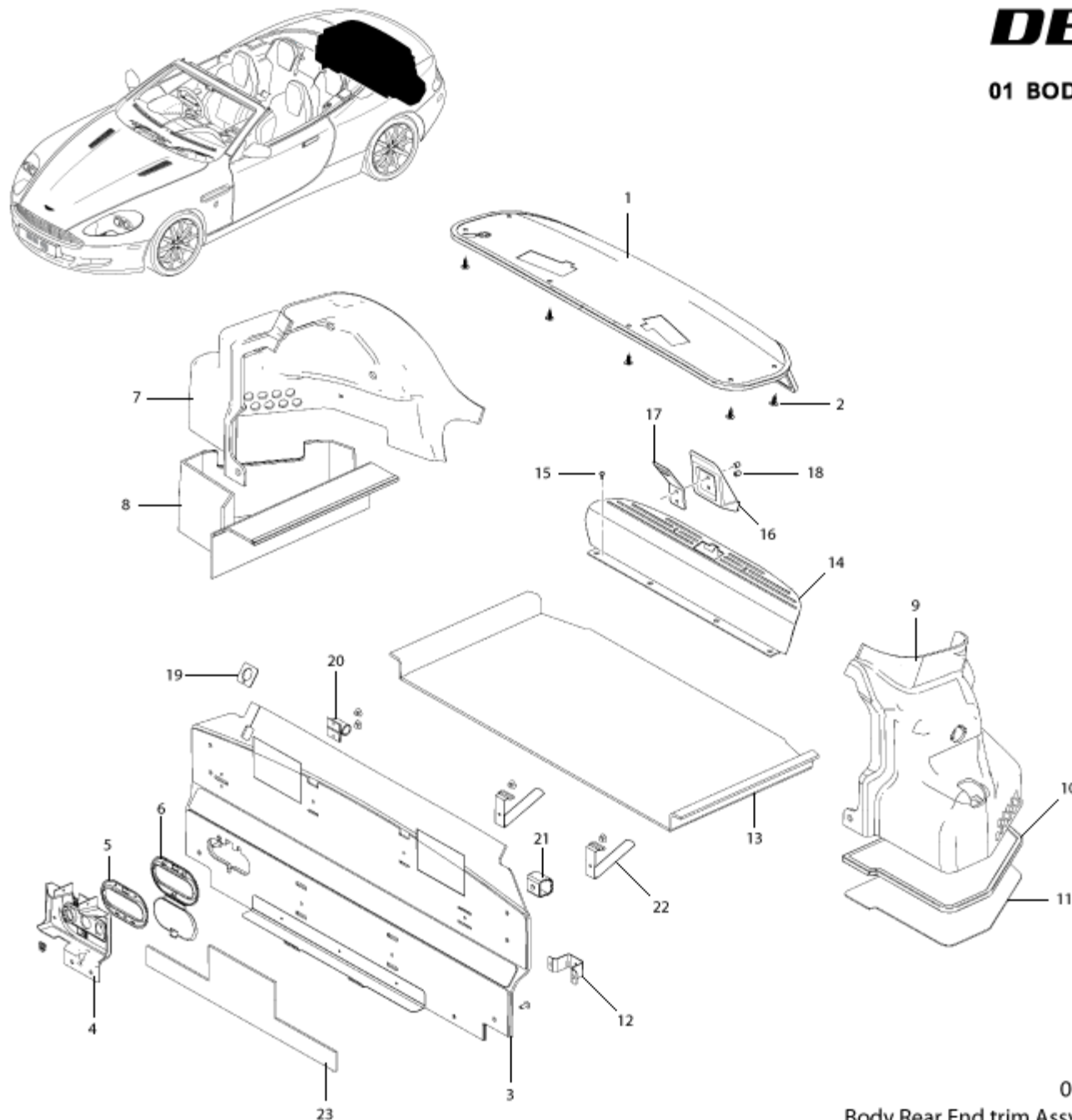
Item	Part Number	Description	Qty	Remarks
1	4G43-46922-AFW	Panel assy, package tray	1	-
2	4G43-613F60-AA	Clip, spring	1	-
3	700963	Screw, M4 x 8	2	-
4	701157	Screw, 4.2 x 16 washer head	2	-
5	697477	Screw, M3	2	-

6	4G43-13B477-AC	Bezel CHMSL	1	-
7	4G43-46668-ADW	Package tray assy	1	-
8	703026	Screw, flg, M5 x 16	4	-
-	4G43-46660-AA	Foam block	2	-

[Contents](#)

DB9 - BODY SYSTEM

DB9
01 BODY SYSTEM



July 2007
010508-B3
Body Rear End trim Assy, Volante

Body Rear End Trim Assy, Volante

Item	Part Number	Description	Qty	Remarks
1	4G43-L580374-AC	Trunklid trim assy	1	-

2	4G43-MXC1800-AA	Fir tree fastner	6	-
3	4G43-L45444-AD	Front cover assy, luggage compartment	1	-
4	4G43-L43660-AB	Switch plate assy, luggage compartment	1	Up to 02-04-07
-	4G43-L43660-AC	Switch plate assy, luggage compartment	1	From 03-04-07
5	4G43-43662-AA	Bezel assy switch, luggage compartment	1	07MY
6	4G43-13A752-AC	Lid, power switch, luggage compartment	1	-
7	4G43-L45422-AD	Carpet, side, RH, luggage compartment	1	Also order Clip 4G43-N623361-AA x1
8	4G43-L454K65-AA	Carpet, floor, side, RH, luggage compartment	1	-
9	4G43-L45423-AA	Carpet, side, LH, luggage compartment	1	-
10	4G43-L454K64-AB	Carpet, side, LH, luggage compartment	1	-
11	4G43-L41654-AC	Mlding, floor, side, LH, luggage compartment	1	-
12	4G43-L454A21-AA	Bracket, floor panel	1	-
13	4G43-45456-CC	Carpet, floor, luggage compartment	1	-
14	4G43-L42626-AB	Plate, luggage compartment, scuff	1	-
15	4G43-3L657-AA	Screw M5 x 20, flat head	4	07MY
16	4G43-L21893-AA	Cover assy, striker	1	-
17	4G43-434A30-AB	Pull assy, luggage compartment	1	-
18	4G43-012M6TA-AA	Insert M6	2	-
19	4G43-L40170-AA	Reinforcement, front cover	1	-
20	4G43-31426-AA	Strap assy, umbrella point	1	-
21	4G43-31427-AA	Strap assy, umbrella handle	1	-
22	4G43-19G537-AA	Strap, warning triangle	2	-
-	4G43-P2100014B-AA	Rivet, strap, warning triangle	2	-
23	4G43-L45436-AA	Foam, backboard	1	-

24	4G43-3678AA-AA	Fir tree, 5mm, push on	2	-
----	--------------------------------	------------------------	---	---

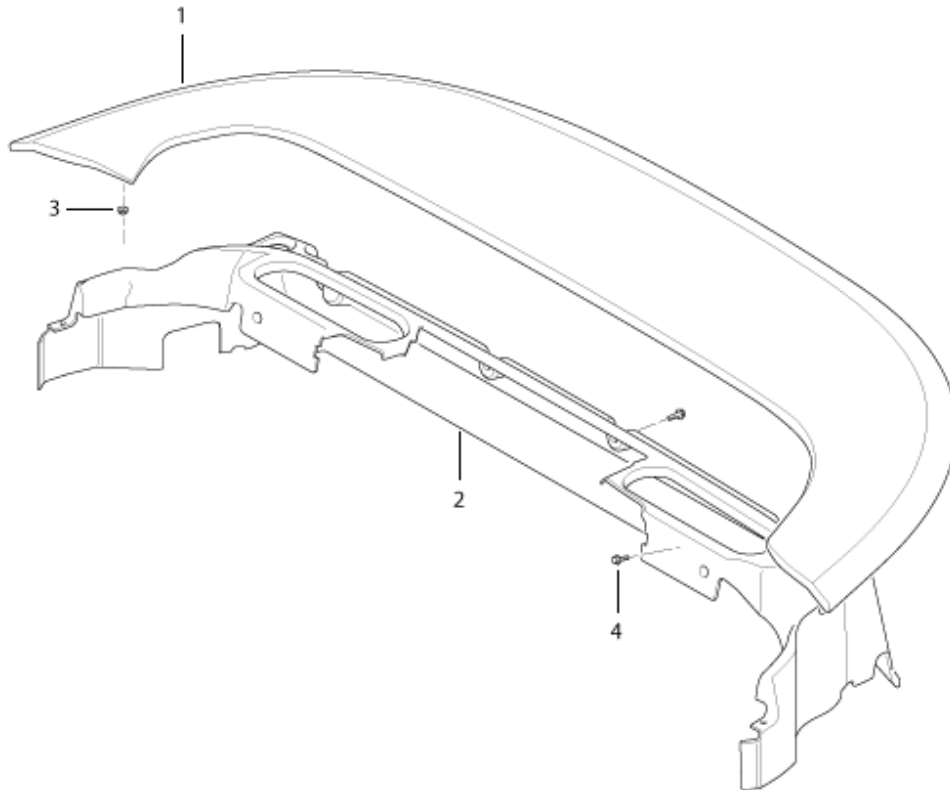
[Contents](#)

DB9 Body System



DB9

01 BODY SYSTEM



August 2006

010508-B5

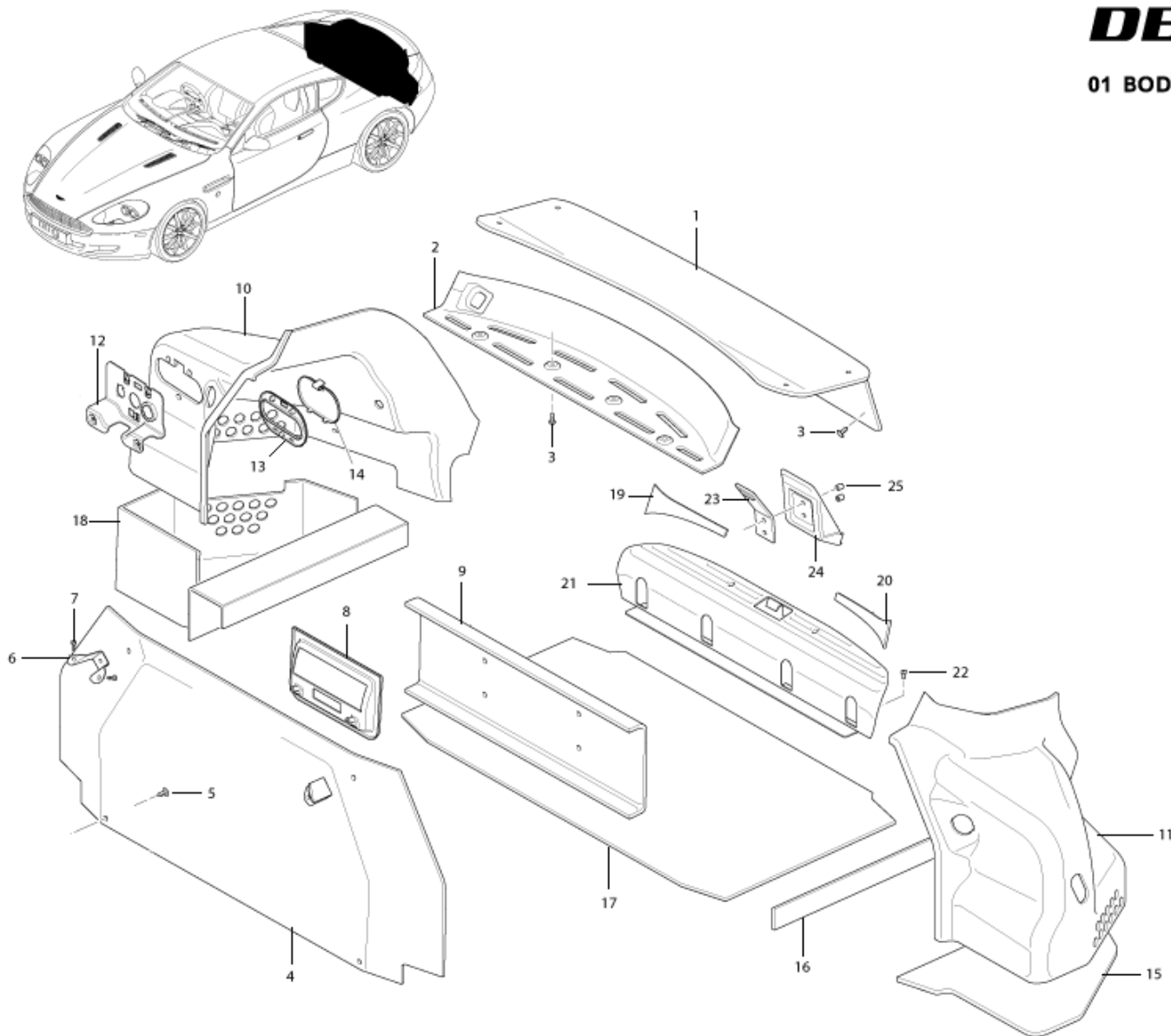
Roof Opening Trim, Volante

Roof Opening Trim, Volante

Item	Part Number	Description	Qty	Remarks
1	4G43-L1909-ABW	Tonneau panel, fully trimmed	1	-
2	4G43-L40408-AE	Moulding, stowage compartment	1	-
3	701437	Screw, M5 hex flg	6	-
4	700231	Nut, M5	12	-

DB9

01 BODY SYSTEM



July 2007
010508-B8
Body Rear End trim Assy, Coupe

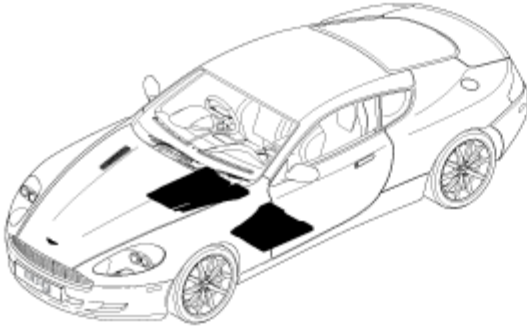
Body Rear End Trim Assy, Coupe

Item	Part Number	Description	Qty	Remarks
1	4G43-580374-AC	Tray assy, luggage compartment lid	1	-
2	4G43-454B04-AB	Tray assy, luggage compartment upper front	1	-
3	4G43-MXC1800-AA	Fir tree fastener	8	-

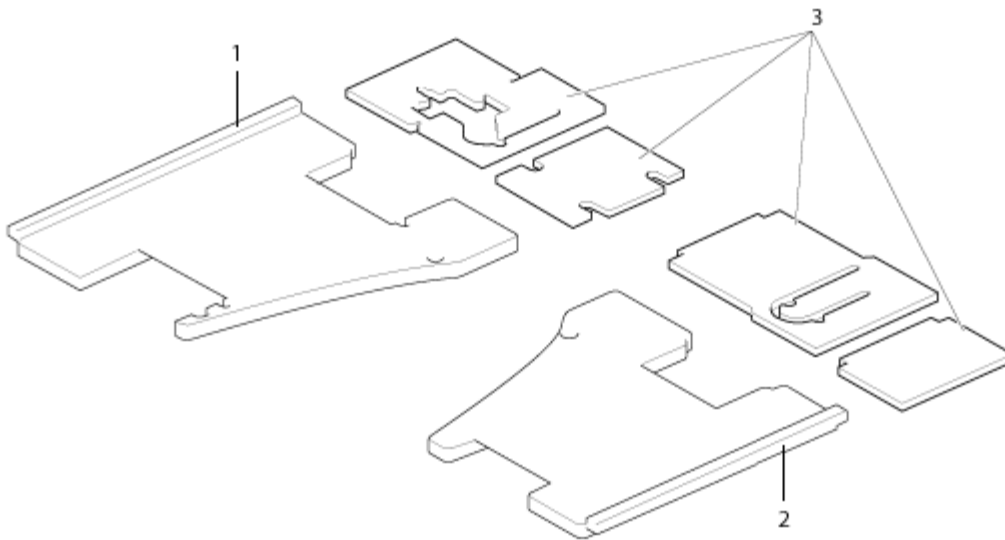
4	4G43-45444-CD	Cover assy, luggage compartment, front	1	Standard ROW
-	4G43-45444-DD	Cover assy, luggage compartment, front	1	Non Standard audio, ROW
-	4G43-45444-EC	Cover assy, luggage compartment, front	1	Standard audio+TPM+Sat nav
-	4G43-45444-FC	Cover assy, luggage compartment, front	1	Non Standard audio+TPM+Sat nav
-	7G43-45444-AB	Cover assy, luggage compartment, front	1	-
-	7G43-451A22-ACW	Boot front board, without umbrella straps	1	-
-	4G43-31427-AA	Retaining strap, umbrella handle	1	-
-	4G43-31426-AA	Retaining strap, umbrella point	1	-
-	7G43-11762-ACW	Panel, stowage compt door trim	1	-
5	4G43-MXC1800-AA	Fir tree fastener	4	-
6	4G43-46312-AB	Bracket, luggage compartment rear panel RH	1	-
-	4G43-46313-AB	Bracket, luggage compartment rear panel LH	1	-
7	701556	Screw M5 x 16, pan head lobe	4	-
8	4G43-13388-AB	HSG Assy, luggage compartment modules	1	TPM
-	4G43-13388-BB	HSG Assy, luggage compartment modules	1	Sat nav non TPM
-	4G43-13388-CB	HSG Assy, luggage compartment modules	1	Sat nav +TPM
9	4G43-18C949-AA	Cover Panel, audio amp	1	-
10	4G43-45422-CE	Carpet assy, luggage compartment side, RH	1	-
11	4G43-45423-CB	Carpet assy, luggage compartment side, LH	1	-
12	4G43-43660-AC	Plate Assy, luggage compartment Switch	1	-
13	4G43-43662-AA	Bezel Assy, luggage compartment Switch	1	-
14	4G43-13A752-AC	Lid, luggage compartment Switch	1	-
15	7G43-454K63-AB	Carpet Assy, luggage compartment floor side LH	1	-
16	4G43-13138-AA	Carpet rear Floor Side LH	1	-
17	4G43-45456-CC	Carpet assy, luggage compartment floor	1	-
18	4G43-454K65-CB	Carpet, luggage compartment floor side RH	1	-
19	4G43-130A58-CA	Carpet, c, rear, RH	1	-
20	4G43-130A58-DA	Carpet, luggage compartment, rear, LH	1	-
21	4G43-42626-AD	Plate Assy, rear luggage compartment scuff	1	-
22	701449	Screw M5 x 12 pan Int lobe	4	-
23	4G43-434A30-AB	Pull Assy, luggage compartment door	1	-
24	4G43-21893-BA	Striker, cover assy	1	07MY
25	4G43-012M6TA-AA	Insert M6	2	-

[Contents](#)

DB9 Body System



DB9
01 BODY SYSTEM



July 2007

010601-B2

Floor Sound Insulation RHD

Floor Sound Insulation RHD

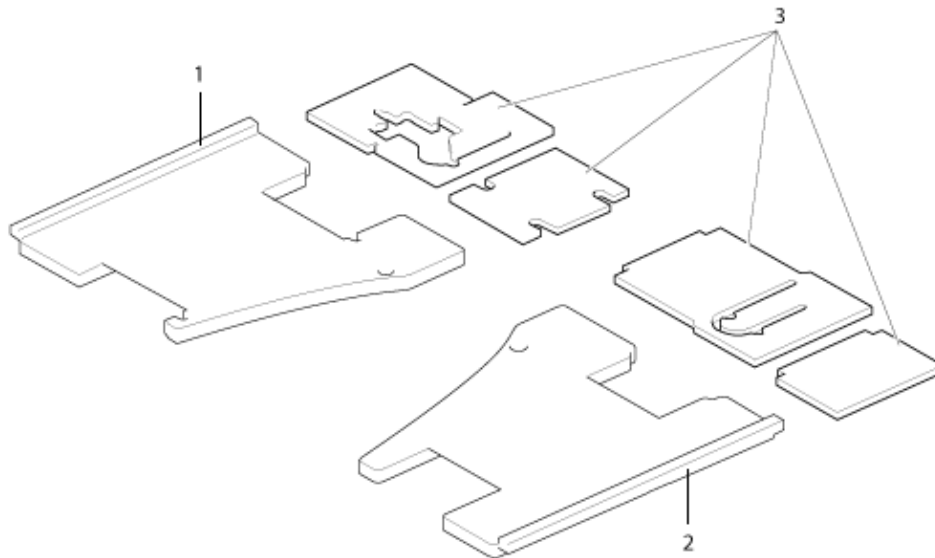
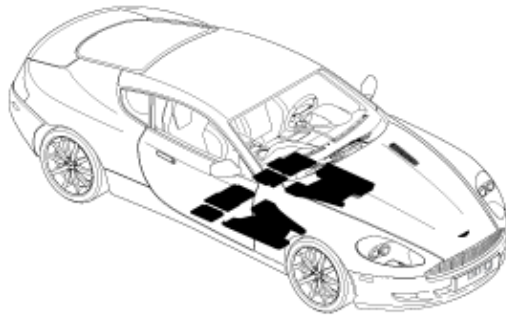
Item	Part Number	Description	Qty	Remarks
-	4G43-503N60-AA	Insulation Kit, Sound, RH	1	-
1	4G43-11454-BH	Insulation assy, floor, RH, RHD	1	-
2	4G43-11454-AH	Insulation assy, floor, LH, RHD	1	-

3	4G43-111C73-AD	Insulation, centre floor pan	1	-
-	4G43-114B26-AF	Insulation, tunnel	1	-

[Contents](#)

DB9 Body System

DB9
01 BODY SYSTEM



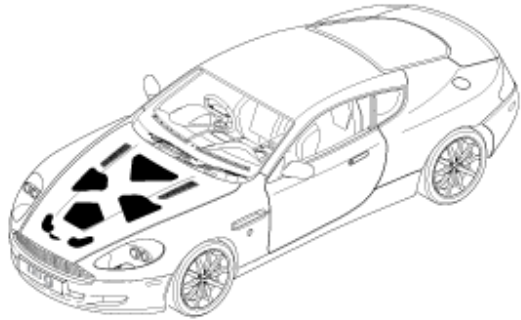
July 2007
010601-B3
Floor Sound Insulation LHD

Floor Sound Insulation LHD

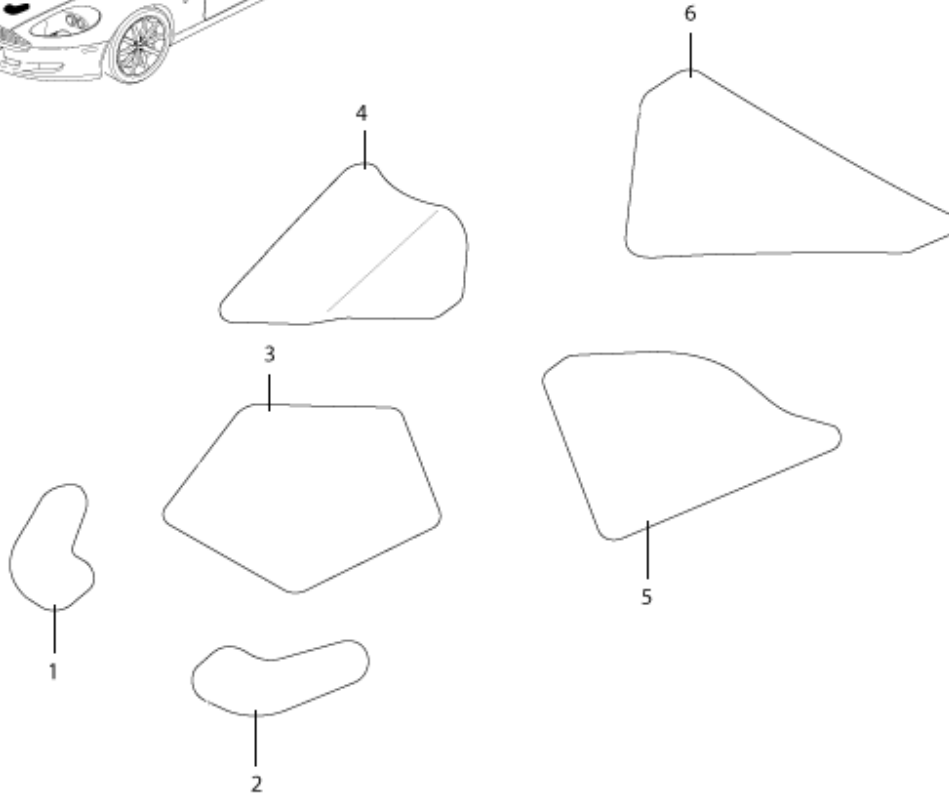
Item	Part Number	Description	Qty	Remarks
-	4G43-503N59-AA	Insulation Kit, Sound, LH	1	-
1	4G43-11455-BH	Insulation, front floor, RH, LHD	1	-
2	4G43-11455-AH	Insulation, front floor, LH, LHD	1	-
3	4G43-111C73-AD	Insulation, centre floor pan	1	-
-	4G43-114B26-AE	Insulation, tunnel	1	-

[Contents](#)

DB9 Body System



DB9
01 BODY SYSTEM



March 2008

010601-B4

Sound Insulation Engine Compartment

Sound Insulation Engine Compartment

Item	Part Number	Description	Qty	Remarks
-	4G43-16738-AD	Bonnet liners	1	07MY
-	8G43-16738-AA	Bonnet liners	1	08MY
-	9G43-16738-AB	Bonnet liners	1	09MY
1	4G43-16738-A-PIA06	Insulation, RH	1	-

2	4G43-16738-A-PIA05	Insulation, LH	1	-
3	4G43-16738-A-PIA02	Insulation	1	07MY
-	8G43-16738-A-PIA02	Insulation	1	08MY
4	4G43-16738-A-PIA03	Insulation, RH	1	07MY
-	8G43-16738-A-PIA03	Insulation, RH	1	08MY
5	4G43-16738-A-PIA04	Insulation, LH	1	07MY
-	8G43-16738-A-PIA04	Insulation, LH	1	08MY
6	4G43-16738-A-PIA01	Bonnet liners	1	07MY
-	8G43-16738-A-PIA01	Bonnet liners	1	08MY

[Contents](#)

DB9 - BODY SYSTEM



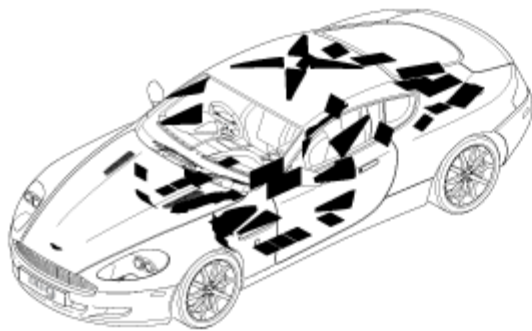
Body Anti-Can Sound Pad, LHD

Item	Part Number	Description	Qty	Remarks
1	4G43-111C72-AA	Damper Pad	1	-
2	4G43-01670-AA	Damper Pad	1	-
3	4G43-T10B34-AA	Damper Pad	1	-

4	4G43-111A30-AA	Damper Pad	1	-
---	--------------------------------	------------	---	---

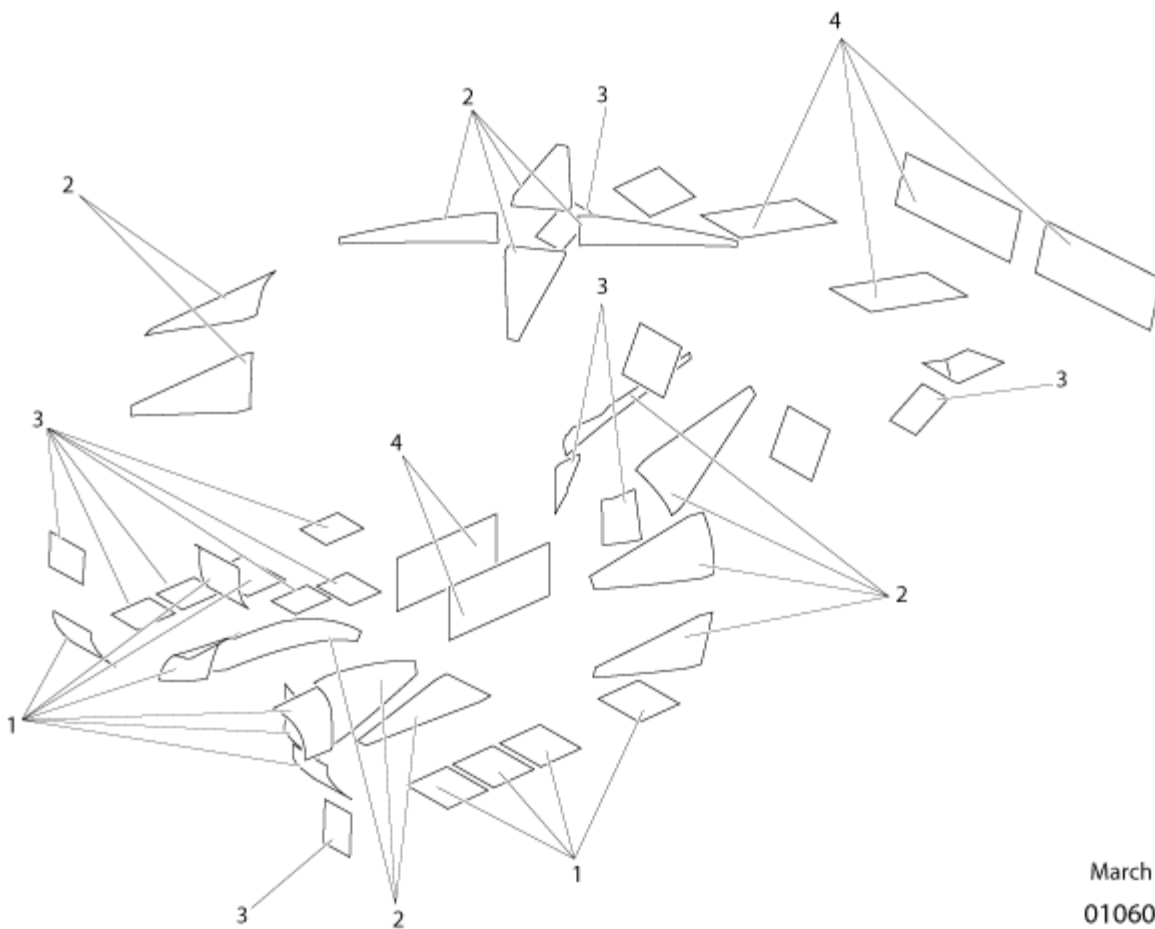
[Contents](#)

DB9 - BODY SYSTEM



DB9

01 BODY SYSTEM



March 2006

010601-B6

Body Anti-Can Sound Pad RHD

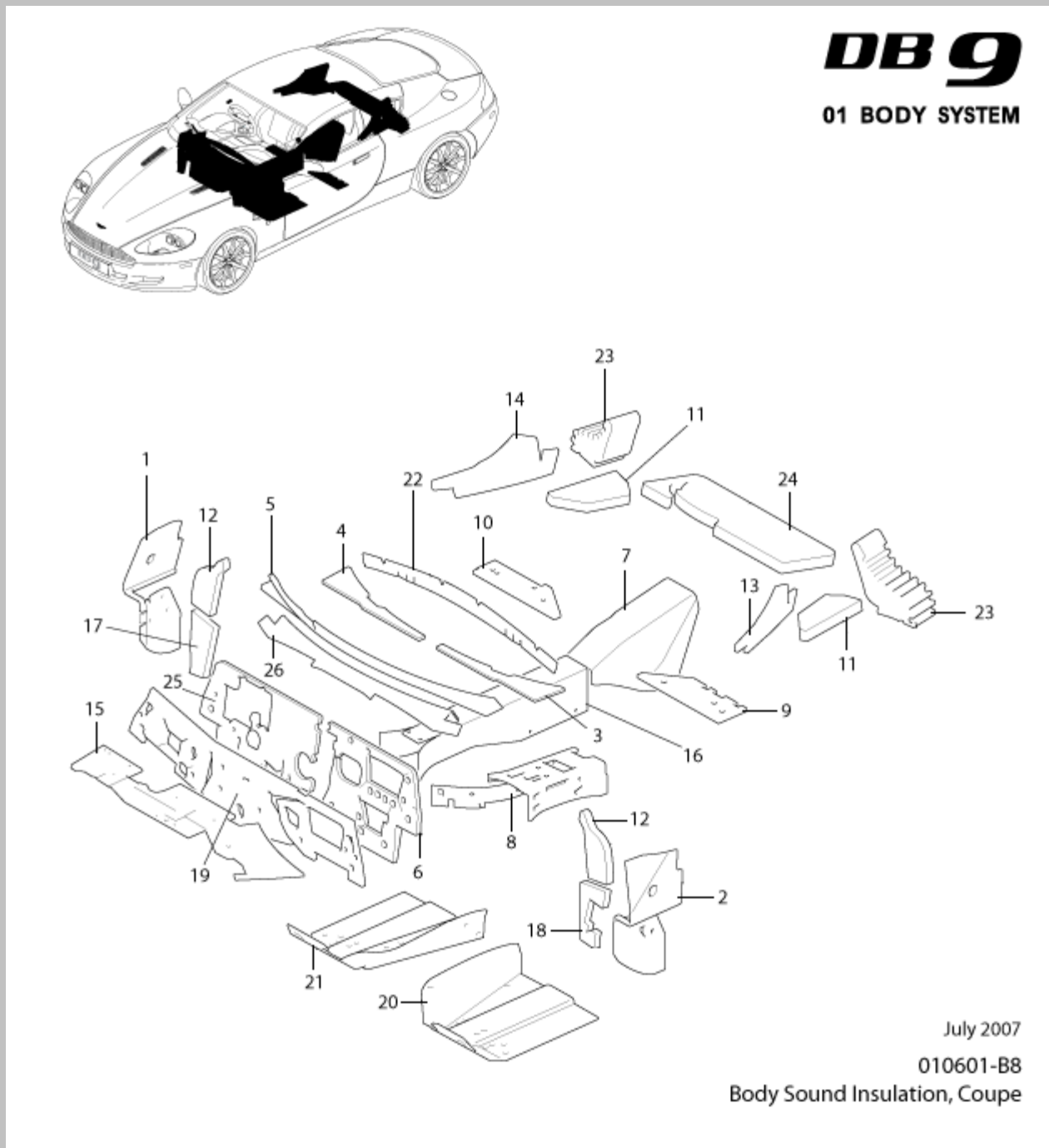
Body Anti-Can Sound Pad RHD

Item	Part Number	Description	Qty	Remarks
1	4G43-111C72-AA	Damper Pad	1	-
2	4G43-01670-AA	Damper Pad	1	-
3	4G43-T10B34-AA	Damper Pad	1	-

4	4G43-111A30-AA	Damper Pad	1	-
---	--------------------------------	------------	---	---

[Contents](#)

DB9 - BODY SYSTEM



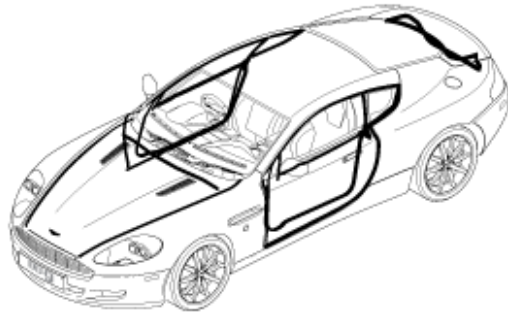
Body Sound Insulation, RHD, Coupe

Item	Part Number	Description	Qty	Remarks
1	4G43-310A58-AC	Insulation, A pillar lower, RH	1	07MY
-	8G43-310A58-AB	Insulation, A pillar lower, RH	1	08MY
2	4G43-310A57-AC	Insulation, A pillar lower, LH	1	07MY

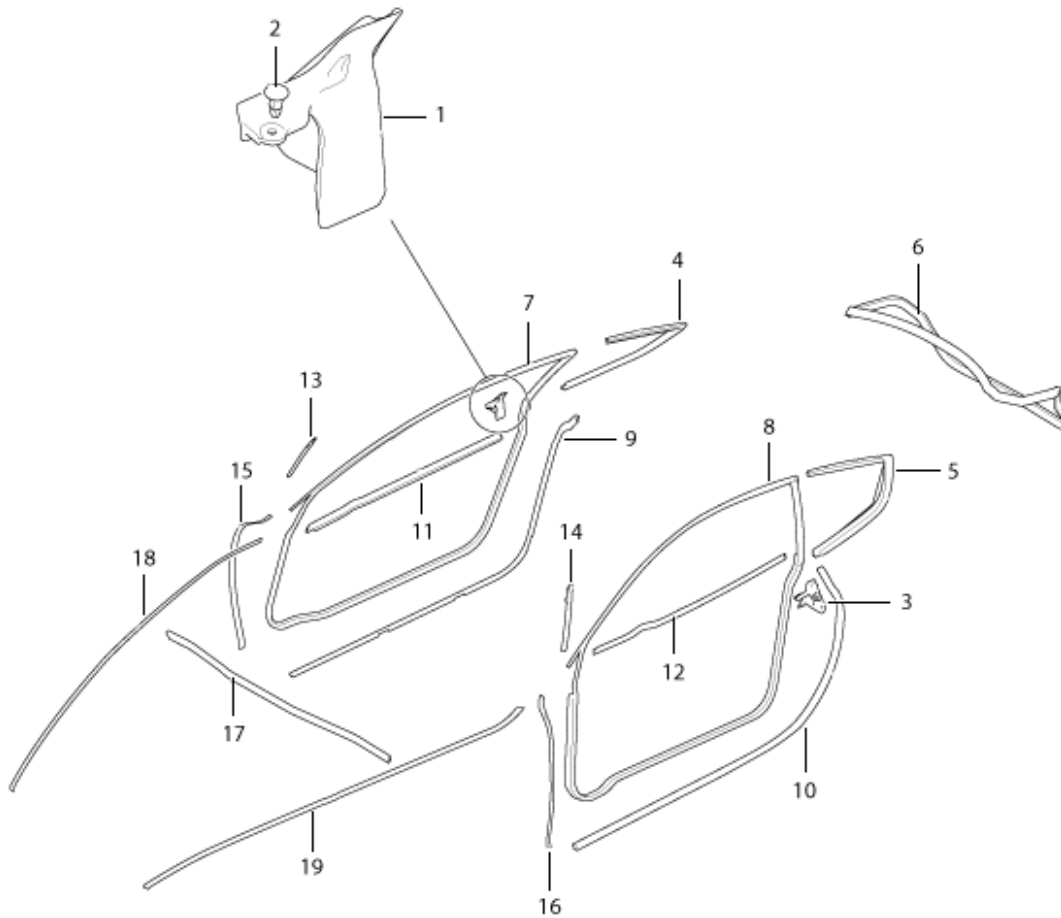
-	8G43-310A57-AB	Insulation, A pillar lower, LH	1	08MY
3	4G43-02293-AB	Insulation, cowl side panel lower sound LH	1	-
4	4G43-02292-AB	Insulation, cowl side panel lower sound RH	1	-
5	4G43-B1070-AB	Insulation, sound engine compartment	1	07MY
6	4G43-015A22-AC	Insulation, panel, body front, LH, RHD	1	07MY
-	4G43-015A23-AD	Insulation, panel, body front, LH, LHD	1	07MY
-	8G43-015A22-AB	Insulation, panel, body front, LH, RHD	1	08MY
-	8G43-015A23-AA	Insulation, panel, body front, LH, LHD	1	08MY
7	4G43-7Z309-AC	Insulation, transmission cover	1	-
8	4G43-11446-AE	Insulation, floor, pan, gearshift cover	1	07MY
-	8G43-11446-AB	Insulation, floor, pan, gearshift cover	1	08MY
9	4G43-11205-AC	Insulation, rear floor pan sound LH	1	07MY
-	8G43-11205-AA	Insulation, rear floor pan sound LH	1	08MY
10	4G43-11204-AA	Insulation, rear floor pan sound RH	1	-
11	4G43-F310A26-AA	Insulation, quarter panel sound	2	-
12	4G43-28112-AB	NVH foam pad fender upper	2	-
13	4G43-27747-AB	Insulation, rear quarter sound LH	1	-
14	4G43-27746-AB	Insulation, rear quarter sound RH	1	-
15	4G43-00152-BF	Insulation, body to front, RHD	1	-
-	4G43-00152-AG	Insulation, body to front, LHD	1	-
16	4G43-114B26-AG	Insulation, tunnel	1	-
17	4G43-28110-AB	NVH Foam Pad Assy Fender Right Lower	1	-
18	4G43-28111-AB	NVH Foam Pad Assy Fender Left Lower	1	-
19	6G33-102B00-BB	Insulation, Engine Sound RHD	1	-
-	6G33-102B00-AB	Insulation, Engine Sound LHD	1	-
20	4G43-54572-AE	Baffle Floor LH	1	-
21	4G43-54571-AF	Baffle Floor RH	1	-
22	4G43-02139-AB	Baffle Cowl Top End	1	-
23	4G43-C27746-AC	Insulation, rear quarter I/S Panel Sound	2	-
24	4G43-C56157-AB	Sheet Damping	1	07MY
-	8G43-C56157-AD	Sheet Damping	1	08MY
25	4G43-002K06-AD	Insulation, panel, body front, RH, RHD	1	07MY
-	4G43-002K05-AD	Insulation, panel, body front, RH, LHD	1	07MY
-	8G43-002K06-AA	Insulation, panel, body front, RH, RHD	1	08MY
-	8G43-002K05-AA	Insulation, panel, body front, RH, LHD	1	08MY
26	6G33-68066-AC	Foam, dash underside	1	-
-	697648	Fastener, Fir Tree	4	-
-	702212	Snapsac, 6.8	5	-
-	8G33-24926-AB	Pad tunnel side, RH	1	-

-	8G33-24927-AB	Pad tunnel side, LH	1	-
-	8G43-5416-AC	NVH tunnel rear inner	1	-

DB9 Body System



DB9
01 BODY SYSTEM



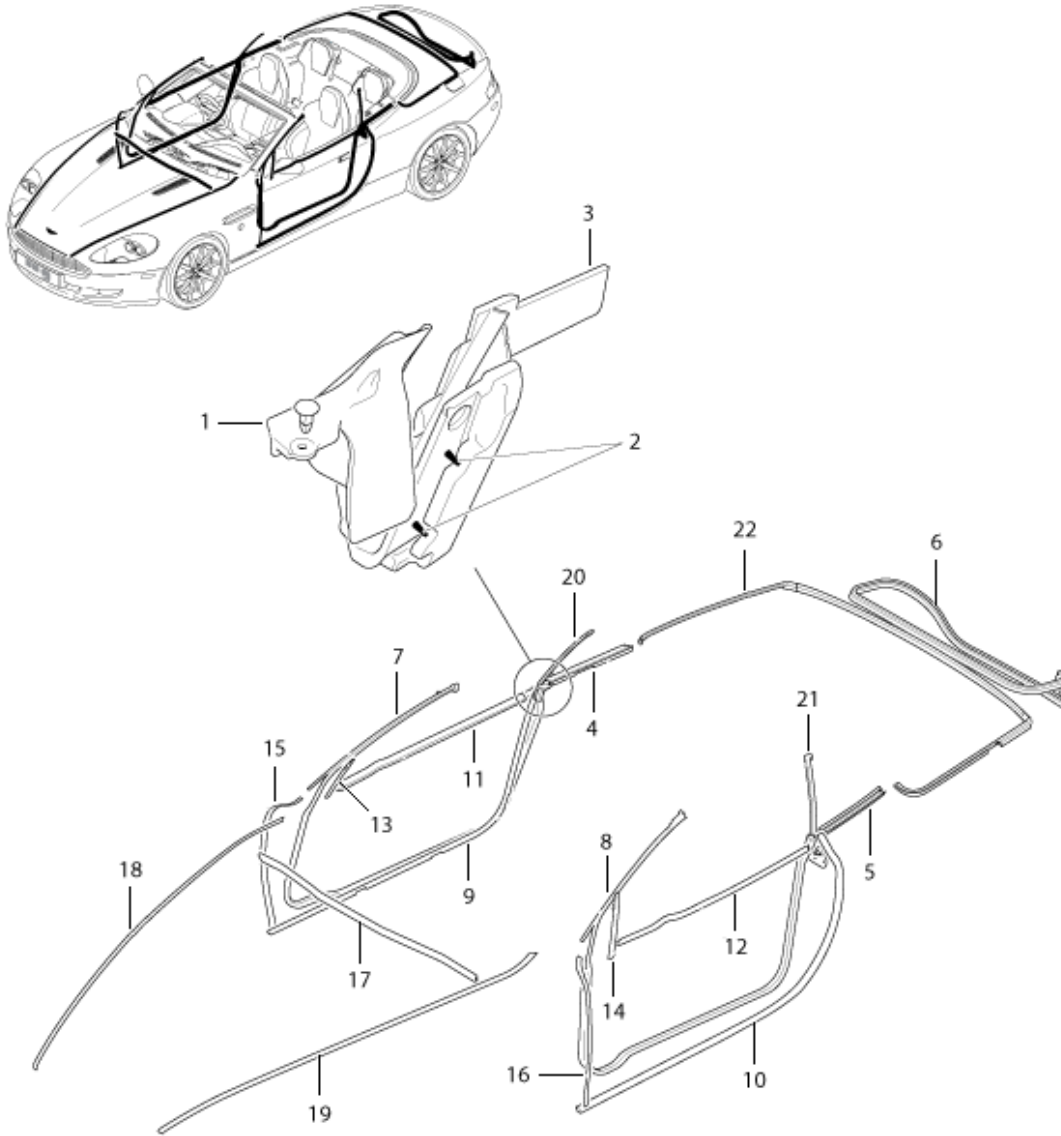
August 2007
010702-B1
Dynamic Weatherstrips

Dynamic Weather Strips

Item	Part Number	Description	Qty	Remarks
1	4G43-20920-AC	Moulding assy, front door rear, RH	1	-
2		Clip	2	-
3	4G43-20921-AC	Moulding assy, front door rear, LH	1	-
4	4G43-F29796-AD	Moulding, quarter window, RH	1	-

5	4G43-F29797-AD	Moulding, quarter window, LH	1	-
6	4G43-F43720-AH	Seal, trunk	1	-
7	4G43-F20708-AG	Seal, door aperture, primary, RH	1	-
8	4G43-F20709-AG	Seal, door aperture, primary, LH	1	-
9	4G43-F25324-AD	Seal, front door margin lower, RH	1	-
10	4G43-F25325-AD	Seal, front door margin lower, LH	1	-
11	4G43-F20570-AD	Weather strip, door waist inner, RH	1	-
12	4G43-F20571-AD	Weather strip, door waist inner, LH	1	-
13	4G43-F21510-AD	Weather strip, front door glass run channel, RH	1	Up to (V) B05151
-	4G43-F21510-BA	Weather strip, front door glass run channel, RH	1	From (V) B05152
14	4G43-F21511-AD	Weather strip, front door glass run channel, LH	1	Up to (V) B05151
-	4G43-F21511-BA	Weather strip, front door glass run channel, LH	1	From (V) B05152
15	4G43-F20556-AF	Seal, front door margin, RH	1	-
16	4G43-F20557-AF	Seal, front door margin, LH	1	-
17	4G43-16K816-AB	Weather strip, extrusion, hood	1	07MY
-	4G43-16K816-AC	Weather strip, extrusion, hood	1	08MY
18	4G43-16A014-AD	Seal, bonnet to fender, RH	1	-
19	4G43-16A015-AD	Seal, bonnet to fender, LH	1	-
-	4G43-20126-AA	Felt seal, door upper window	2	-
-	6G33-C47775-AA	Pad, foam, outer waist seal	2	-

DB9 - BODY SYSTEM



DB9
01 BODY SYSTEM

August 2007

010702-B2

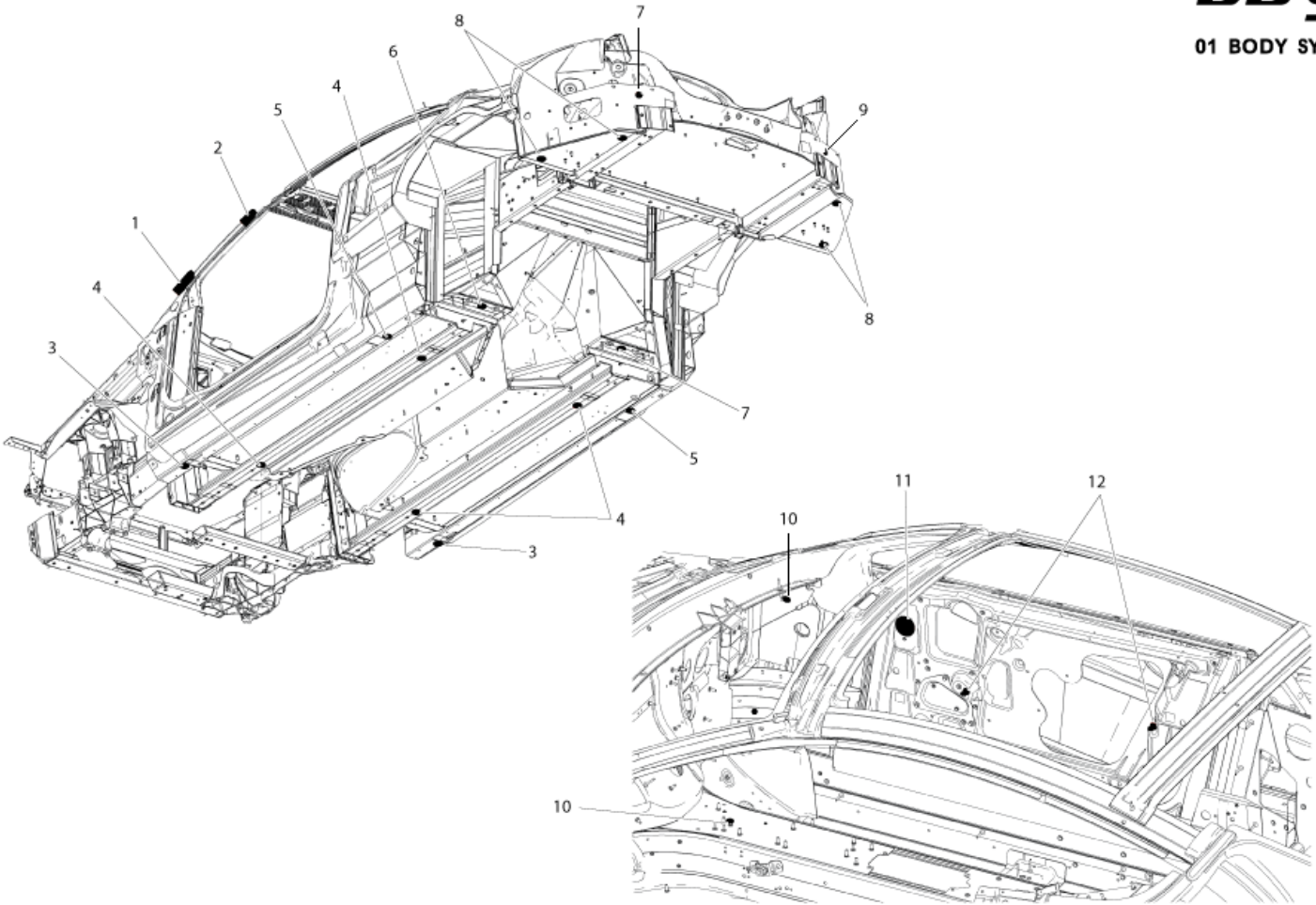
Dynamic Weatherstrips, Volante

Dynamic Weatherstrips, Volante

Item	Part Number	Description	Qty	Remarks
1	4G43-20920-AC	Moulding assy, front door rear, RH	1	-
-	4G43-20921-AC	Moulding assy, front door rear, LH	1	-
2	702213	Push in pin	2	-
3	4G43-L30254-AA	Weather strip assy, quarter window upper, RH	1	-

-	4G43-L30255-AA	Weather strip assy, quarter window upper, LH	1	-
4	4G43-L29730-AD	Weather strip assy, quarter window, RH	1	-
5	4G43-L29731-AD	Weather strip assy, quarter window, LH	1	-
6	4G43-L43720-AE	Weather strip, trunk - Volante	1	-
7	4G43-F20708-BE	Door primary seal, Volante, RH	1	-
8	4G43-F20709-BE	Door primary seal, Volante, LH	1	-
9	4G43-L25324-AA	Seal, front door margin lower, RH	1	-
10	4G43-L25325-AA	Seal, front door margin lower, LH	1	-
11	4G43-F20570-AD	Weather strip, door waist inner, RH	1	-
12	4G43-F20571-AD	Weather strip, door waist inner, LH	1	-
13	4G43-F21510-AD	Weather strip, front door glass run channel, RH	1	Up to (V) B05151
-	4G43-F21510-BA	Weather strip, front door glass run channel, RH	1	From (V) B05152
14	4G43-F21511-AD	Weather strip, front door glass run channel, LH	1	Up to (V) B05151
-	4G43-F21511-BA	Weather strip, front door glass run channel, LH	1	From (V) B05152
15	4G43-F20556-AF	Seal, front door margin, RH	1	-
16	4G43-F20557-AF	Seal, front door margin, LH	1	-
17	4G43-16K816-AB	Weather strip, extrusion, hood	1	07MY
-	4G43-16K816-AC	Weather strip, extrusion, hood	1	08MY
18	4G43-16A014-AD	Seal, bonnet to fender, RH	1	-
19	4G43-16A015-AD	Seal, bonnet to fender, LH	1	-
20	4G43-L20708-BB	Weather strip assy, B post, RH	1	-
21	4G43-L20709-BB	Weather strip assy, B post, LH	1	-
22	4G43-L51452-AE	Weather strip assy, tonneau to body	1	-
-	4G43-20126-AA	Felt seal, door upper window	2	-
-	4G43-L25324-BA	Clip, Weather strip retention	2	-
-	6G33-C47775-AA	Pad, foam, outer waist seal	2	-

DB9
01 BODY SYSTEM



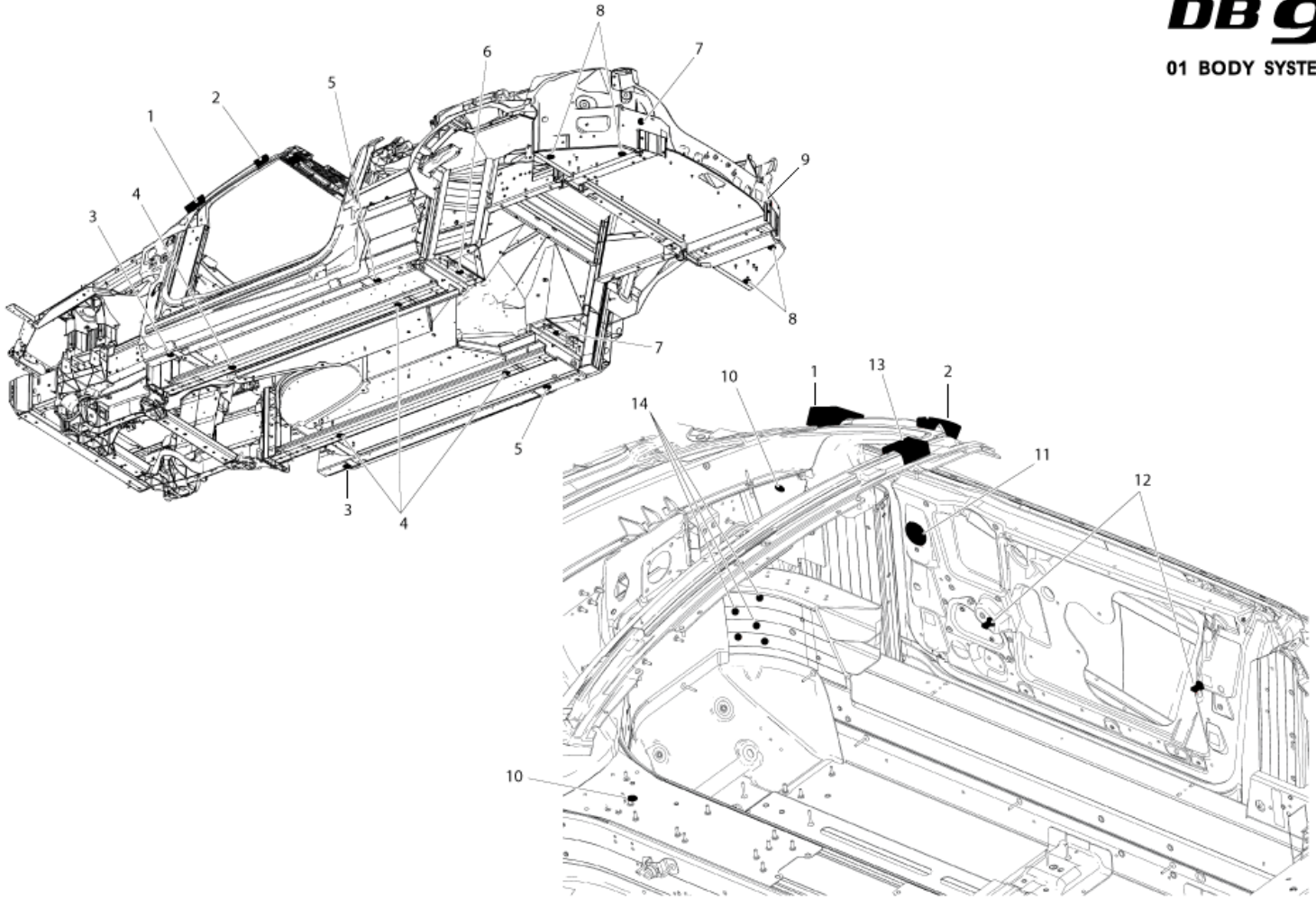
August 2007
010703-B1
Soft Sealing, Coupe, RHD, LHD

Soft Sealing, Coupe, RHD, LHD

Item	Part Number	Description	Qty	Remarks
1	4G43-F280C09-AA	Block, sealing, A pillar, foam	2	-
2	4G43-026A30-AB	Baf, front body pillar	2	-
3	6G33-N806457-AA	Bung, 20mm, rubber	2	-
4	4G43-2273-AA	Plug, 25mm, taper, black	4	-
5	6G33-N804814-AA	Bung, 24mm, rubber, black	2	-
6	6G33-N804263-AA	Bung, 22mm, rubber, black	1	-
7	4G43-N808070-AA	Bung, 19mm, rubber, black	2	-
8	702804	Plug, 20 x 0.6, rubber, push in	4	-
9	4G43-N804138-AA	Bung, 18mm, rubber	1	-
10	4G43-N800631-AA	Bung, 11mm, rubber	3	-
11	4G43-L20220-AA	Seal, patch inner large, door, RH	1	-

-	4G43-L20220-AA	Seal, patch inner large, door, LH	1	-
12	4G43-N805935-AA	Plug and grip 17mm	4	-

DB9
01 BODY SYSTEM



August 2007

010703-B3

Soft Sealing, VOLANTE- RHD, LHD

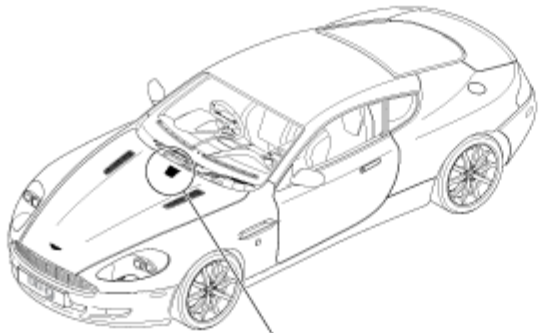
Soft Sealing, Volante, RHD, LHD

Item	Part Number	Description	Qty	Remarks
1	4G43-F280C09-AA	Block, sealing, A pillar, foam	2	-
2	4G43-026A30-AB	Baf, front body pillar	2	-
3	6G33-N806457-AA	Bung, 20mm, rubber	2	-
4	4G43-2273-AA	Plug, 25mm, taper, black	4	-
5	6G33-N804814-AA	Bung, 24mm, rubber, black	2	-
6	6G33-N804263-AA	Bung, 22mm, rubber, black	1	-
7	4G43-N808070-AA	Bung, 19mm, rubber, black	2	-
8	702804	Plug, 20 x 0.6, rubber, push in	4	-
9	4G43-N804138-AA	Bung, 18mm, rubber	1	-
10	4G43-N800631-AA	Bung, 11mm, rubber	3	-

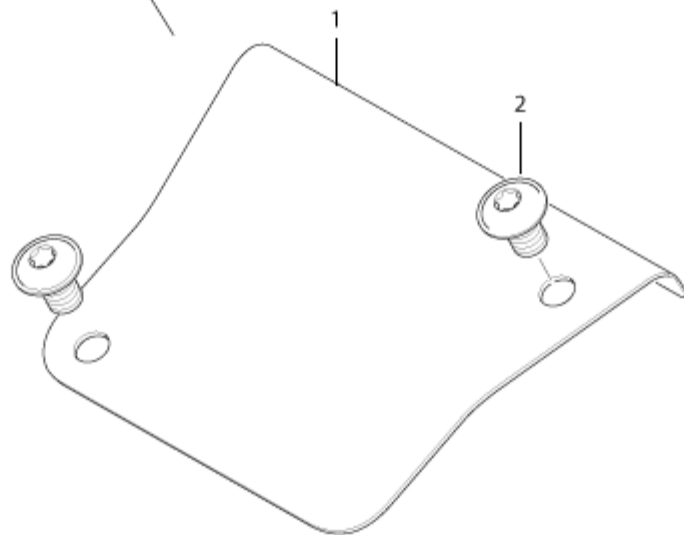
11	4G43-L20220-AA	Seal, patch inner large, door, RH	1	-
-	4G43-L20220-AA	Seal, patch inner large, door, LH	1	-
12	4G43-N805935-AA	Plug and grip, 17mm	4	-
13	4G43-58863-AA	Sealing pad, header rail	2	-
14	4G43-N811191-AA	Bung, 7mm, rubber	6	-

[Contents](#)

DB9 Body System



DB9
01 BODY SYSTEM



February 2005

010706-B1

Plenum Cover, LHD/RHD

Plenum Cover, LHD/RHD

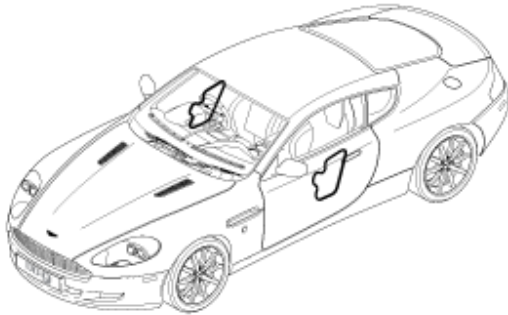
Item	Part Number	Description	Qty	Remarks
-	4G43-F02284-AC	Plenum cover, RHS	1	LHD
1	4G43-F02285-AC	Plenum cover, LHS	1	RHD
2	701158	Screw, btn head, M6 x 10 torx	2	-

[Contents](#)

DB9 Body System

DB9

01 BODY SYSTEM



August 2007

010707-B1

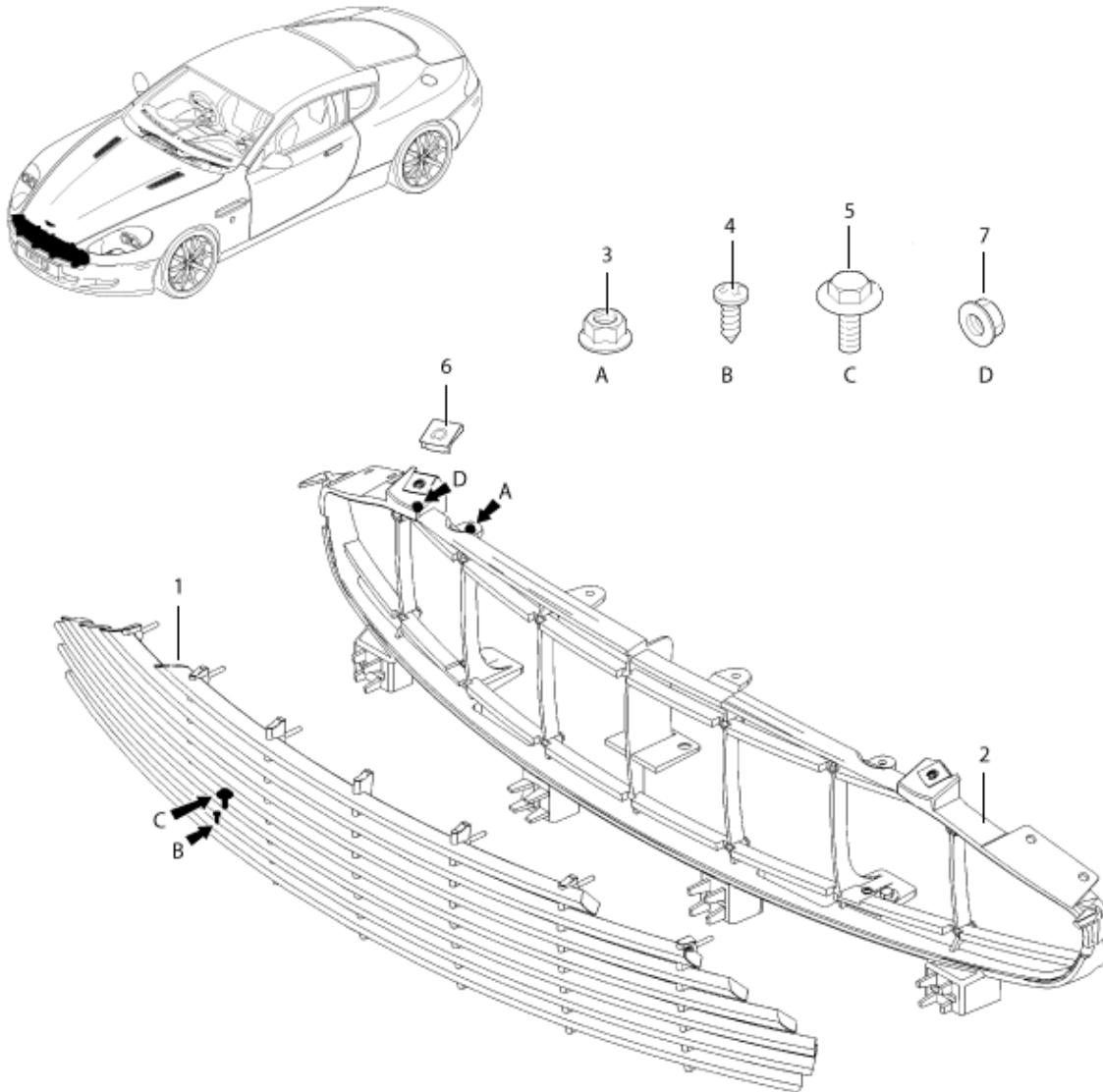
Door and Quarter Panel Watershields

Door and Quarter Panel Watershields

Item	Part Number	Description	Qty	Remarks
1	4G43-54237A04-AC	Weather strip, door inner trim	2	-

DB9

01 BODY SYSTEM



March 2008
010801-B1
Grille Radiator

Grille Radiator

Item	Part Number	Description	Qty	Remarks
1	4G43-8A100-AG	Grille, radiator - 7 bar design as illustrated	1	07MY
-	9G43-71-11098	Grille, radiator, shiny - 5 bar design as 09MY	1	08MY
-	4G43-71-10576	Endcap kit, chrome grille	1	-
2	4G43-8190-AC	Support assy, grille radiator	1	-
3	701170	Nut M6, grille opening to bmp stop	2	07MY

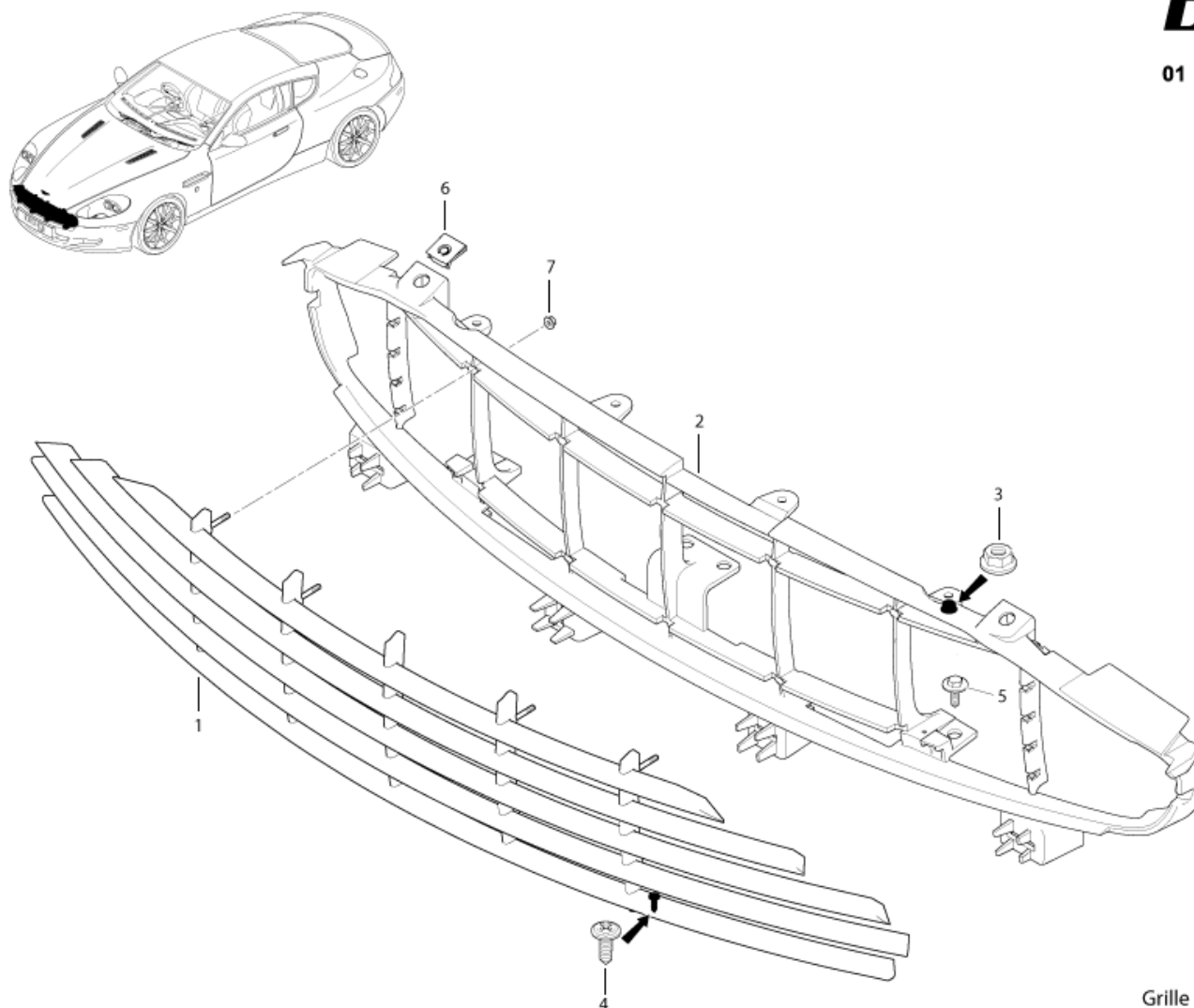
-	702944	Nut M6, grille opening to bmp stop	2	08MY
4	701443	Screw, M4 x 16, front grill to opening	2	-
5	701350	Screw, M6 x 20, grille to armature	4	07MY
-	703152	Screw, M6 x 20, grille to armature	4	08MY
6	703276	J nut	2	-
7	700986	Nut, flg, M4, upper front grille	10	-
-	697818	Screw, M5 x 12	3	-
-	697479	Nut, M5	3	-
-	701566	Nut, M4, front grille to opening	10	-

[Contents](#)

DB9 - BODY SYSTEM

DB9

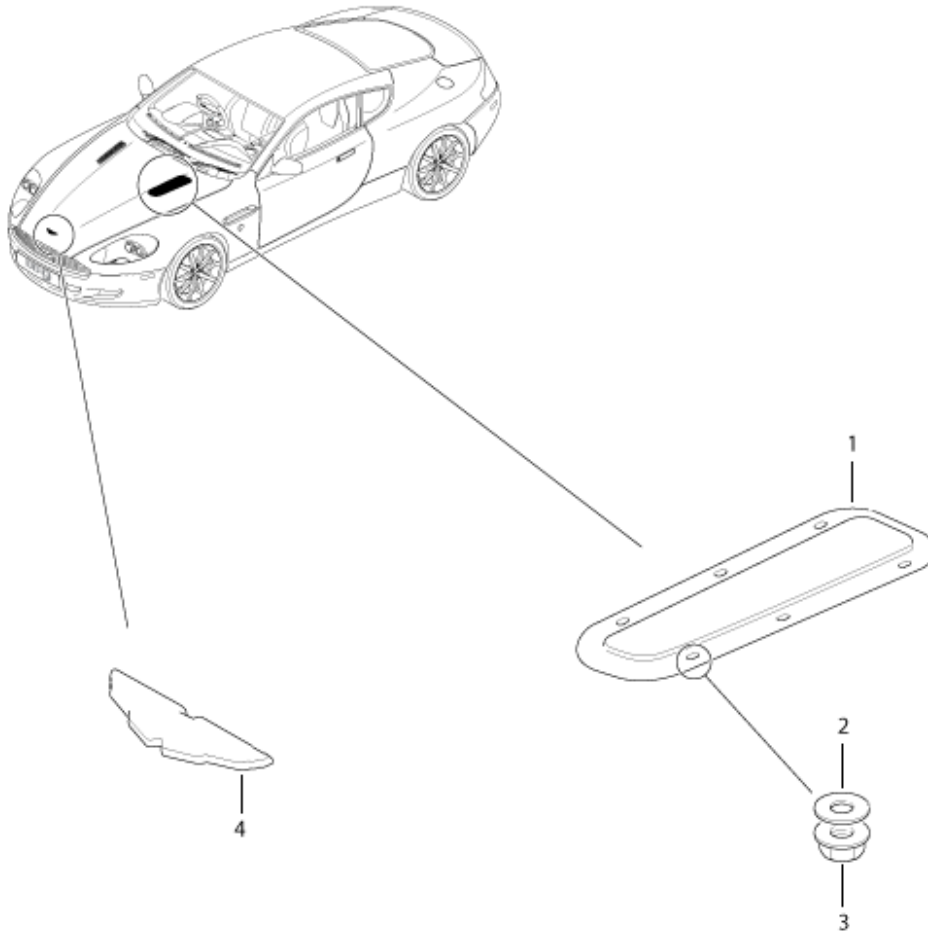
01 BODY SYSTEM



March 2008
010801-B2
Grille Radiator, 09MY

Grille Radiator, 09MY

Item	Part Number	Description	Qty	Remarks
1	9G43-71-11006	Grille assy, support standard	1	-
-	9G43-71-11007	Grille assy, support option	1	-
2	9G43-8190-AA	Support assy, grille radiator	1	-
3	702944	Nut M6, grille opening to bmp stop	2	-
4	4G43-51757-AA	Screw, front grille to opening	2	-
5	703152	Screw, M6 x 20, grille to armature	4	-
6	703276	Retainer	2	-
7	700986	Nut, flg, M4, upper front grille	10	-



DB9
01 BODY SYSTEM

August 2007

010802-B1

Front End Trim and Ornamentation

Front End Trim and Ornamentation

Item	Part Number	Description	Qty	Remarks
1	4G43-16C693-AF	Mesh assy, hood, LH	1	-
-	4G43-16C693-BA	Mesh assy, hood, LH	1	Le Mans - Magnum Silver
-	4G43-16C692-AF	Mesh assy, hood, RH	1	-
-	4G43-16C692-BA	Mesh assy, hood, RH	1	Le Mans - Magnum Silver
2	4G43-16C694-AB	Washer, nylon	12	-
3	4G43-16C695-AB	Nut, dome, M6, black nylon	12	-

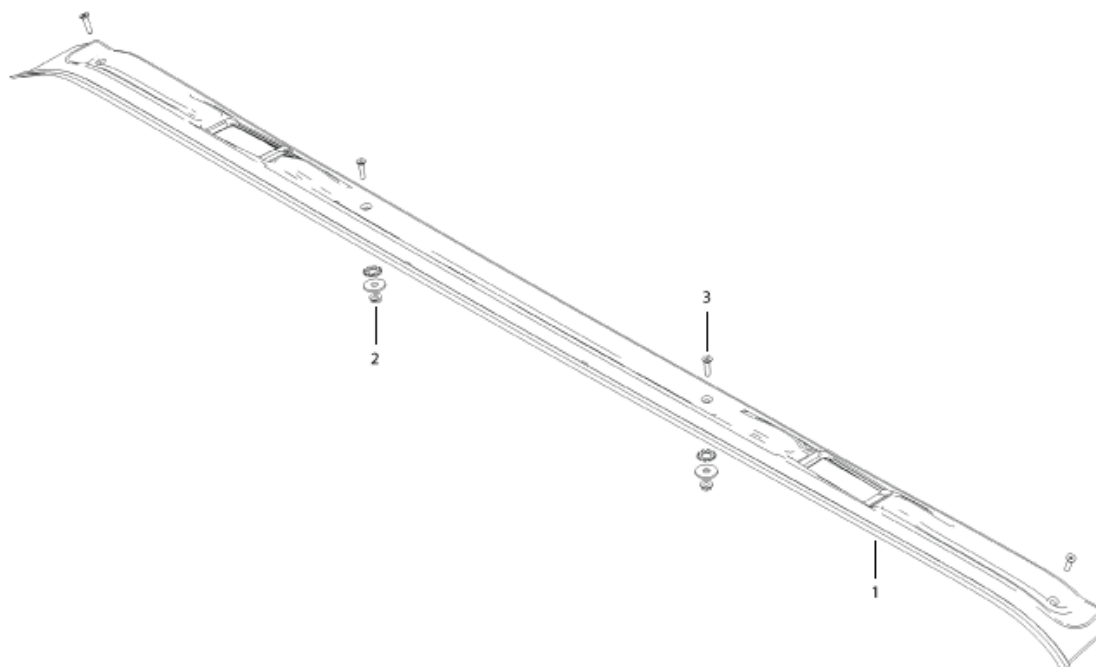
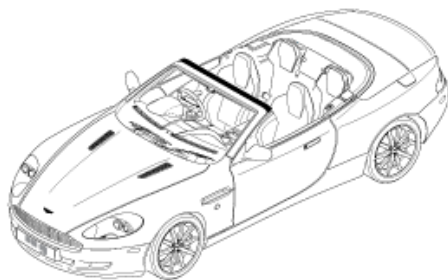
4	4G43-407A74-AC	Badge assy, Aston Martin	1	-
---	--------------------------------	--------------------------	---	---

[Contents](#)

DB9 - BODY SYSTEM

DB9

01 BODY SYSTEM

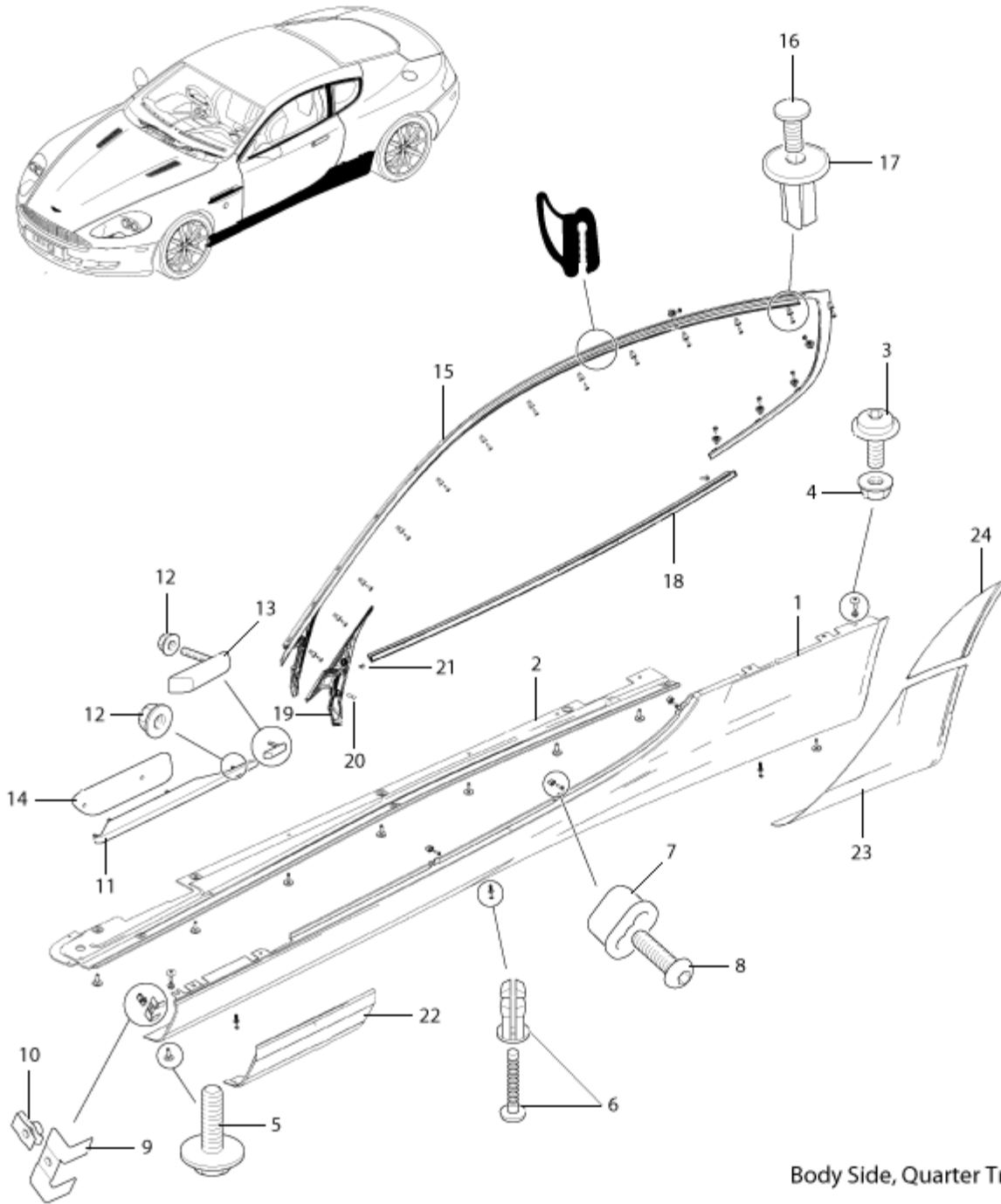


August 2007
010804-B2
Roof Trim & Ornamentation, Volante

Roof Trim & Ornamentation, Volante

Item	Part Number	Description	Qty	Remarks
1	4G43-L03065-AE	Finisher, front header windshield	1	-
2	701170	Nut, flg, M6	8	-
3	4G43-103081-AA	Screw M4 x 16, csk head	4	-
4	697226	Washer, shakeproof	2	-
5	697517	Washer, M6	2	-
-	4G43-105371-AA	Nut, captive U, M4	2	-
-	700986	Nut, flg, M4	2	-

DB9 - BODY SYSTEM



DB9
01 BODY SYSTEM

August 2007

010805-B1

Body Side, Quarter Trim and Ornamentation

Body Side, Quarter Trim and Ornamentation

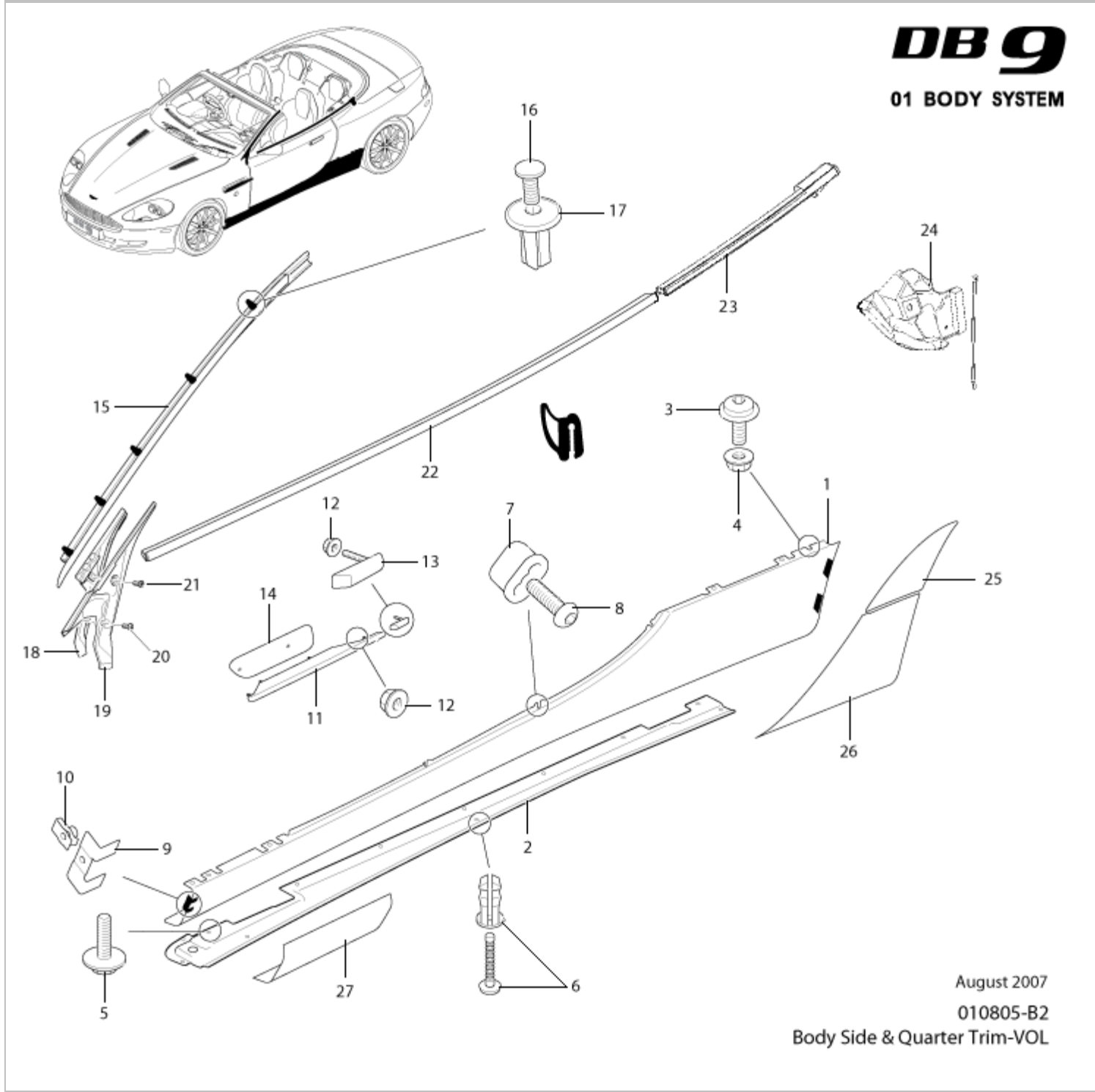
Item	Part Number	Description	Qty	Remarks
-	4G43-200B08-AD	Sill applique assy, RH	1	-
1	4G43-200B09-AD	Sill applique assy, LH	1	-

-	8G43-50897-BA	Spacer, sill	2	-
2	4G43-54991-AB	Reinforcement, side sill, LH	1	Up to 08MY
-	4G43-54990-AB	Reinforcement, side sill, RH	1	Up to 08MY
3	703156	Screw/washer, M6 x 18, sill to fender	4	-
4	702944	Nut, M6, sill to fender	4	-
5	701567	Screw/washer, M6 x 18, reinf to sill	14	-
6	701582-PK	Rivet, reinforcement to sill	6	-
7	4G43-48954-AA	Nut, lokut, applique to door seal	9	-
8	701441-PK	Screw ST4.2 x 13	9	-
9	NSS	Bracket, wheel arch liner	6	-
10	701145	Nut, M6 x 1, U type, wheel arch liner	6	-
11	4G43-280B63-AG	Side strake fender, LH	1	-
-	4G43-280B62-AG	Side strake fender, RH	1	-
12	700142	Nut, M6, side strake to fender/door	4	07MY
-	703163	Nut, M6, side strake to fender/door	4	08MY
13	4G43-018K29-AG	Side strake door, LH	1	-
-	4G43-018K28-AG	Side strake door, RH	1	-
14	4G43-280B84-AD	Mesh, side strake, LH	1	-
-	4G43-280B84-BA	Mesh, side strake, LH	1	Le Mans - Magnum Silver
-	4G43-280B83-AD	Mesh, side strake, RH	1	-
-	4G43-280B83-BA	Mesh, side strake, RH	1	Le Mans - Magnum Silver
15	4G43-519A36-AL	Roof finisher, side glass, LH, Coupe	1	-
-	4G43-519A37-AL	Roof finisher, side glass, RH, Coupe	1	-
16	4G43-51757-AA	Screw, M4, finisher to cantrail	36	-
17	701656-PK	Retainer, finisher to cantrail	38	-
18	4G43-F20563-AG	Waistseal, door outer, LH	1	-
-	4G43-F20562-AG	Waistseal, door outer, RH	1	-
19	4G43-C02565-BD	Cover, retainer assy, LH	1	-
-	4G43-C02564-BD	Cover, retainer assy, RH	1	-
20	702217	Screw, M5 x 16	2	-
21	4G43-51757-AA	Screw, M4, self tap	2	-
-	4G43-91-10346	Kit, paint protection	1	-
22	4G43-10627-AA	Tape, front sill, LH	1	-
-	4G43-10626-AA	Tape, front sill, RH	1	-
-	8G43-10627-AA	Tape, front sill, LH	1	-09MY
-	8G43-10626-AA	Tape, front sill, RH	1	-09MY
23	4G43-10625-AA	Tape, rear sill, LH	1	-
-	4G43-10624-AA	Tape, rear sill, RH	1	-
-	4G43-10628-AA	Tape, front bumper, lower	1	-

24	4G43-10631-AA	Tape, rear quarter, LH	1	-
-	4G43-10630-AA	Tape, rear quarter, RH	1	-
-	4G43-91-10347	Instructions		-

[Contents](#)

DB9 - BODY SYSTEM



DB9
01 BODY SYSTEM

August 2007

010805-B2

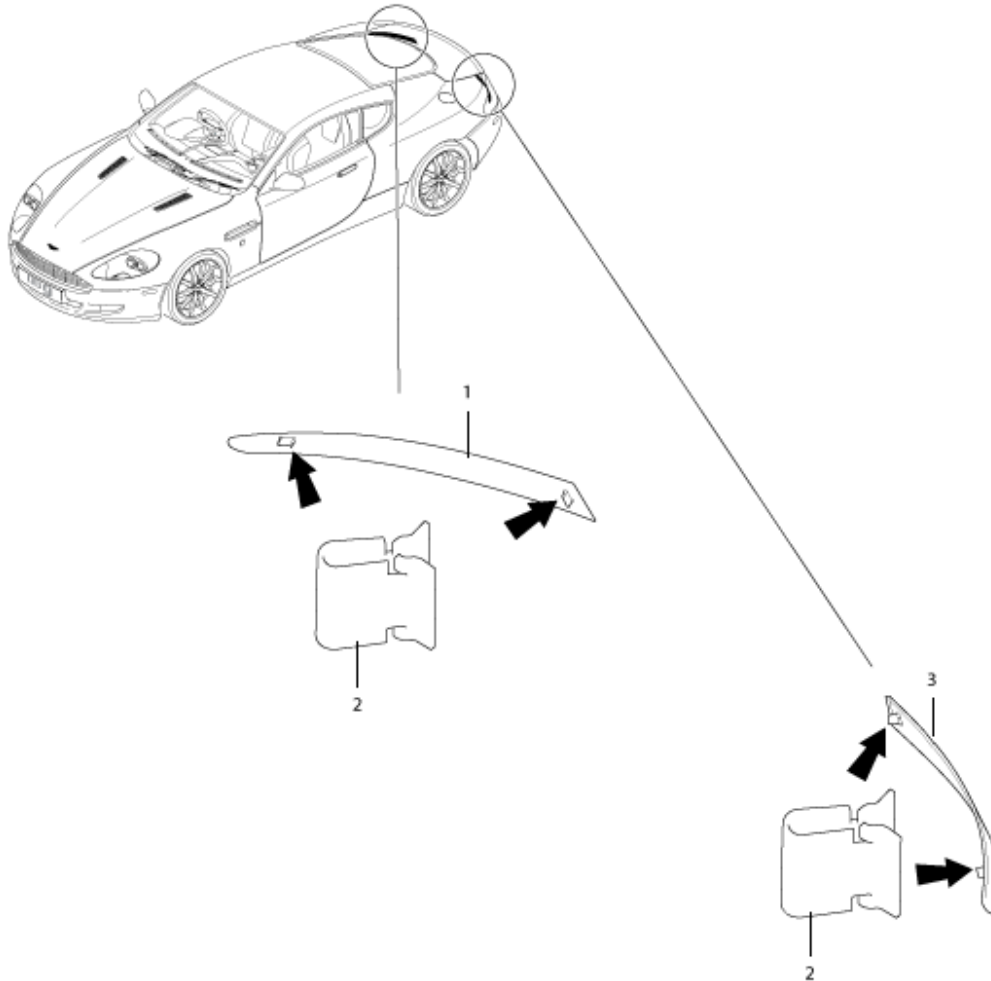
Body Side & Quarter Trim-VOL

Body Side & Quarter Trim - Volante

Item	Part Number	Description	Qty	Remarks
-	4G43-200B08-AD	Sill applique assy, RH	1	-

1	4G43-200B09-AD	Sill applique assy, LH	1	-
-	4G43-50897-BA	Spacer, sill	2	-
2	4G43-54991-AB	Reinforcement, side sill, LH	1	Up to 08MY
-	4G43-54990-AB	Reinforcement, side sill, RH	1	Up to 08MY
3	703156	Screw/washer, M6 x 18, sill to fender	4	-
4	702944	Nut, M6, sill to fender	4	-
5	701567	Screw/washer, M6 x 18, reinforcement to sill	14	-
6	701582-PK	Rivet, reinforcement to sill	6	-
7	4G43-48954-AA	Nut, lokut, applique to door seal	9	-
8	701441-PK	Screw ST4.2 x 13	9	-
9	NSS	Bracket, wheel arch liner	6	-
10	701145	Nut, M6 x 1, U type, wheel arch liner	6	-
11	4G43-280B63-AG	Side strake fender, LH	1	-
-	4G43-280B62-AG	Side strake fender, RH	1	-
12	700142	Nut, M6, side strake to fender/door	4	07MY
-	703163	Nut, M6, side strake to fender/door	4	08MY
13	4G43-018K29-AG	Side strake door, LH	1	-
-	4G43-018K28-AG	Side strake door, RH	1	-
14	4G43-280B84-AD	Mesh, side strake, LH	1	-
-	4G43-280B84-BA	Mesh, side strake, LH	1	-Magnum silver
-	4G43-280B83-AD	Mesh, side strake, RH	1	-
-	4G43-280B83-BA	Mesh, side strake, RH	1	-Magnum Silver
15	4G43-519A36-BH	Finisher, A pillar, LH	1	-
-	4G43-519A37-BH	Finisher, A pillar, RH	1	-
16	4G43-51757-AA	Screw, M4, finisher to cantrail	36	-
17	701656-PK	Retainer, finisher to cantrail	38	-
18	4G43-C02565-AC	Retainer assy, body pillar, LH	1	-
-	4G43-C02564-AC	Retainer assy, body pillar, RH	1	-
19	4G43-C02565-BD	Cover, retainer assy, body pillar, LH	1	-
-	4G43-C02564-BD	Cover, retainer assy, body pillar, RH	1	-
20	702217	Screw M5 x 12, button Head	2	-
21	700235	Screw, M4 x 9.5, small washer head	2	-
22	4G43-F20563-AG	Waistseal, door outer, LH	1	-
-	4G43-F20562-AG	Waistseal, door outer, RH	1	-
23	4G43-1228495-BH	Waistseal, quarter glass, LH	1	-
-	4G43-1228494-BH	Waistseal, quarter glass, RH	1	-
24	4G43-A410K25-BD	Bracket, closing panel, LH	1	-
-	4G43-A410K24-BD	Bracket, closing panel, RH	1	-
-	4G43-91-10346	Kit, paint protection	1	-

25	4G43-10631-AA	Tape, rear quarter, LH	1	-
-	4G43-10630-AA	Tape, rear quarter, RH	1	-
26	4G43-10625-AA	Tape, rear sill, LH	1	-
-	4G43-10624-AA	Tape, rear sill, RH	1	-
27	4G43-10627-AA	Tape, front sill, LH	1	-
-	4G43-10626-AA	Tape, front sill, RH	1	-
-	8G43-10627-AA	Tape, front sill, LH	1	-09MY
-	8G43-10626-AA	Tape, front sill, RH	1	-09MY
-	4G43-10628-AA	Tape, front bumper, lower	1	-
-	4G43-91-10347	Instructions	1	-



DB9

01 BODY SYSTEM

August 2007

010806-B1

Body Rear End Trim and Ornamentation

Body Rear End Trim and Ornamentation

Item	Part Number	Description	Qty	Remarks
1	4G43-13A538-AE	Finisher, rear lamp finisher, RH	1	07MY
-	4G43-13A538-BA	Finisher, rear lamp finisher, RH	1	Le Mans
2		Clip	4	-
3	4G43-13A539-AE	Finisher, rear lamp finisher, LH	1	07MY
-	4G43-13A539-BA	Finisher, rear lamp finisher, LH	1	Le Mans
-	4G43-13407-AA	Seal, rear lamp	2	-

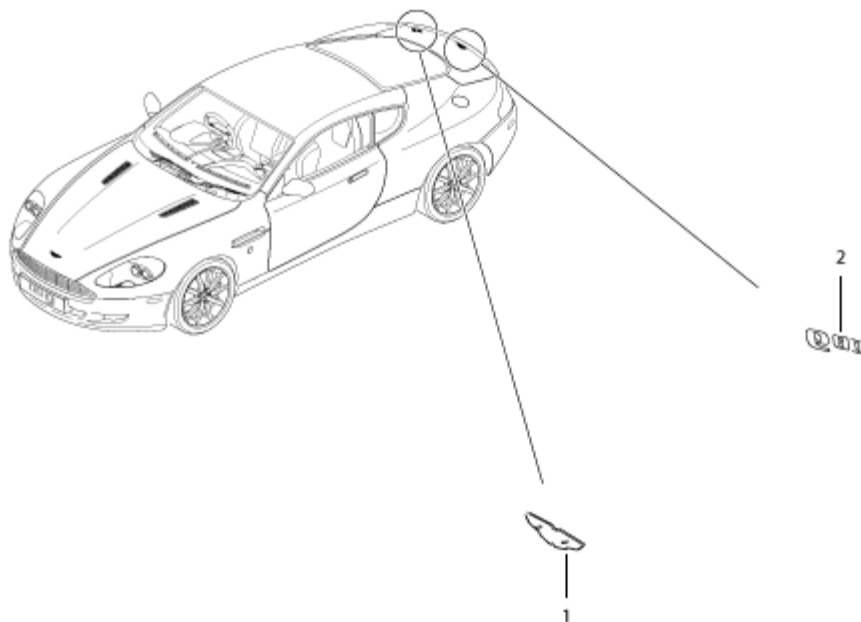


[Contents](#)

DB9 Body System

DB9

01 BODY SYSTEM



August 2007

010807-B1

Trunk Lid, External Trim and Ornamentation

Trunk Lid, External Trim and Ornamentation

Item	Part Number	Description	Qty	Remarks
1	4G43-407A74-AC	Badge, Aston Martin, trunk lid	1	-
2	4G43-001B40-AB	Badge DB9, trunk lid	1	-
-	8G43-404C24-AA	Badge DB9, LM boot	1	Le Mans

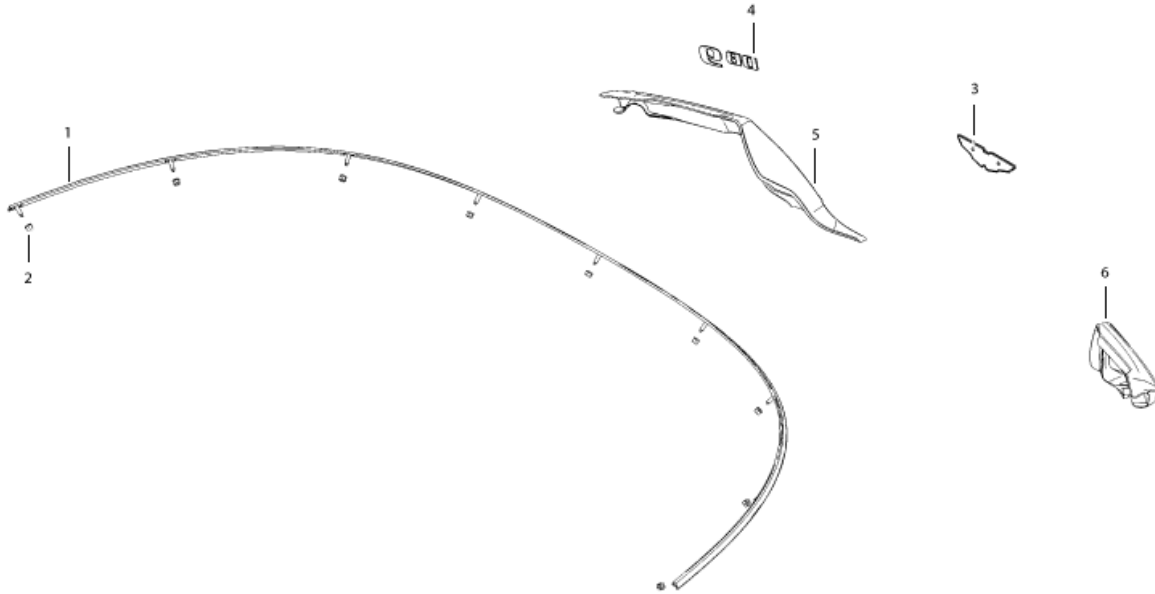
[Contents](#)

DB9 - BODY SYSTEM



DB9

01 BODY SYSTEM



August 2007

010807-B2

Trunk Lid, External Trim & Ornamentation, Volante

Trunk Lid, External Trim & Ornamentation, Volante

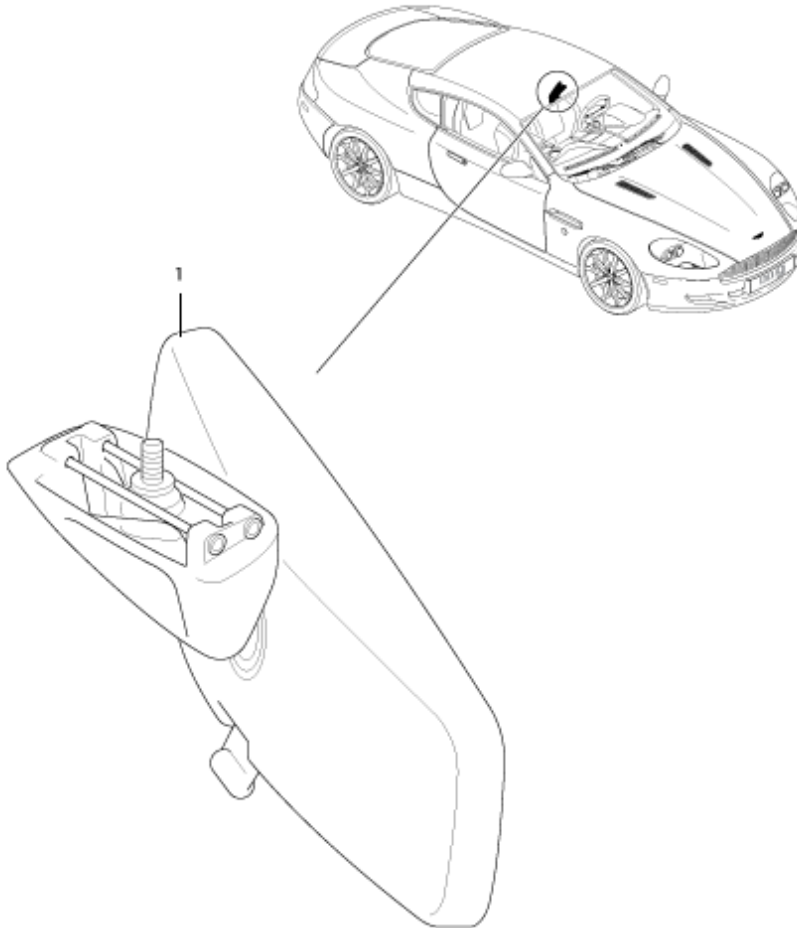
Item	Part Number	Description	Qty	Remarks
1	4G43-1228494-CG	Finisher, tonneau, bright trim, 5 studs	1	Up to (V) B05616
-	4G43-1228494-CH	Finisher, tonneau, bright trim, 9 studs	1	From (V) B05617
2	4G43-NTC7314-AA	Nut, plastic, tonneau finisher fixing	9	-
3	4G43-407A74-AC	Badge, Aston Martin, trunk lid	1	-
4	4G43-001B40-AB	Badge DB9, trunk lid	1	-
5	4G43-13413-AA	Seal, lamp, rear assy, Volante, RH	1	-
6	4G43-13414-AA	Seal, lamp, rear assy, Volante, LH	1	-

[Contents](#)

DB9 Body System

DB9

01 BODY SYSTEM



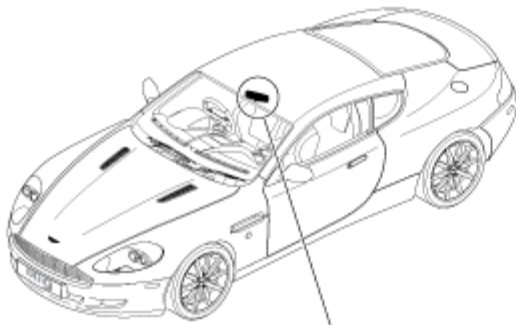
August 2007
010901-B1
Inside Mirror LHD

Inside Mirror LHD

Item	Part Number	Description	Qty	Remarks
1	4G43-17K695-AE	Mirror assy, rear view, IS dipping	1	-

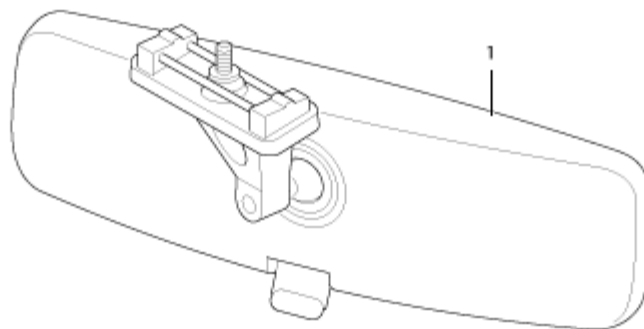
[Contents](#)

DB9 Body System



DB9

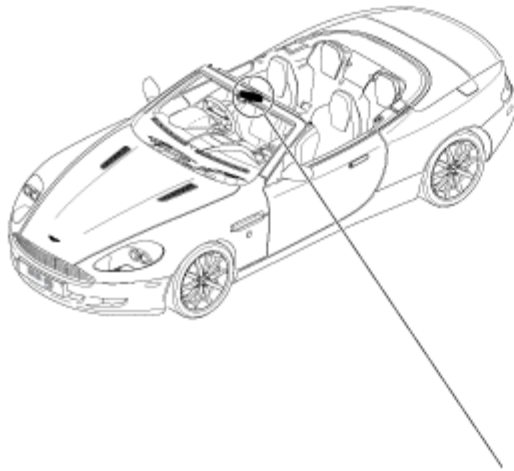
01 BODY SYSTEM



August 2007
010901-B2
Inside Mirror, RHD

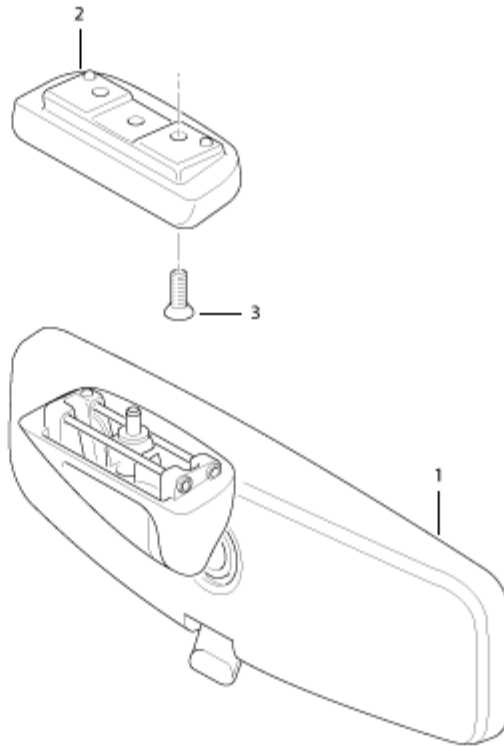
Inside Mirror, RHD

Item	Part Number	Description	Qty	Remarks
1	4G43-17K695-AE	Mirror assy, rear view, IS dipping	1	-



DB9

01 BODY SYSTEM



August 2007

010901-B3

Inside Mirror, Volante

Inside Mirror, Volante

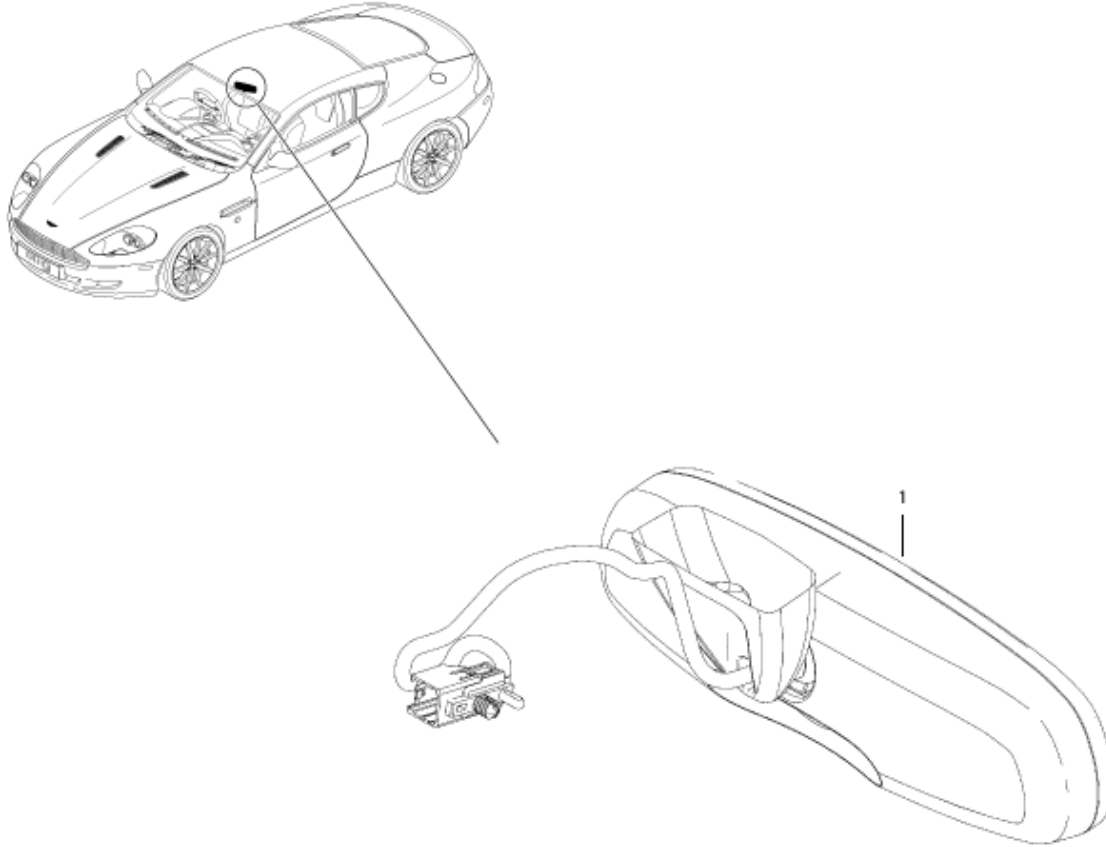
Item	Part Number	Description	Qty	Remarks
1	4G43-17K695-AE	Mirror assy, rear view, IS dipping	1	-
2	4G43-L17K698-A	Spacer, Interior Mirror	1	-
3	700153	Screw, flg, M6 x 16, Csk	2	-

[Contents](#)

DB9 - BODY SYSTEM

DB9

01 BODY SYSTEM



August 2007

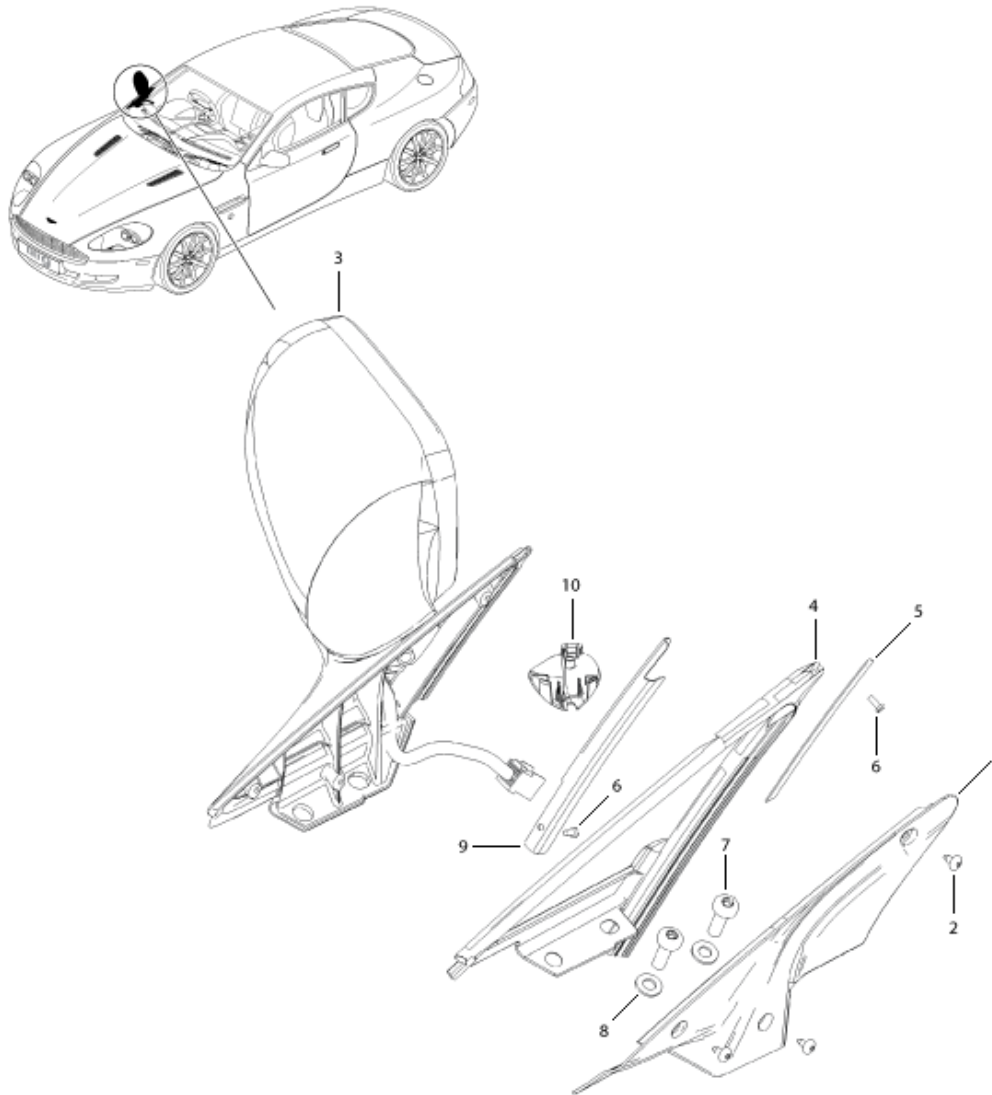
010901-D1

Inside Mirror, Electronic Chromatic and Garage Door Opener

Inside Mirror, Electronic Chromatic and Garage Door Opener

Item	Part Number	Description	Qty	Remarks
1	7G43-17700-AC	Mirror, EC	1	-
-	7G43-17700-CC	Mirror, EC with GDO assy	1	(UK/Euro)
-	7G43-17700-BC	Mirror, EC with GDO assy	1	(Federal)

DB9
01 BODY SYSTEM



October 2007

010904-B1

Rear View Mirrors, External

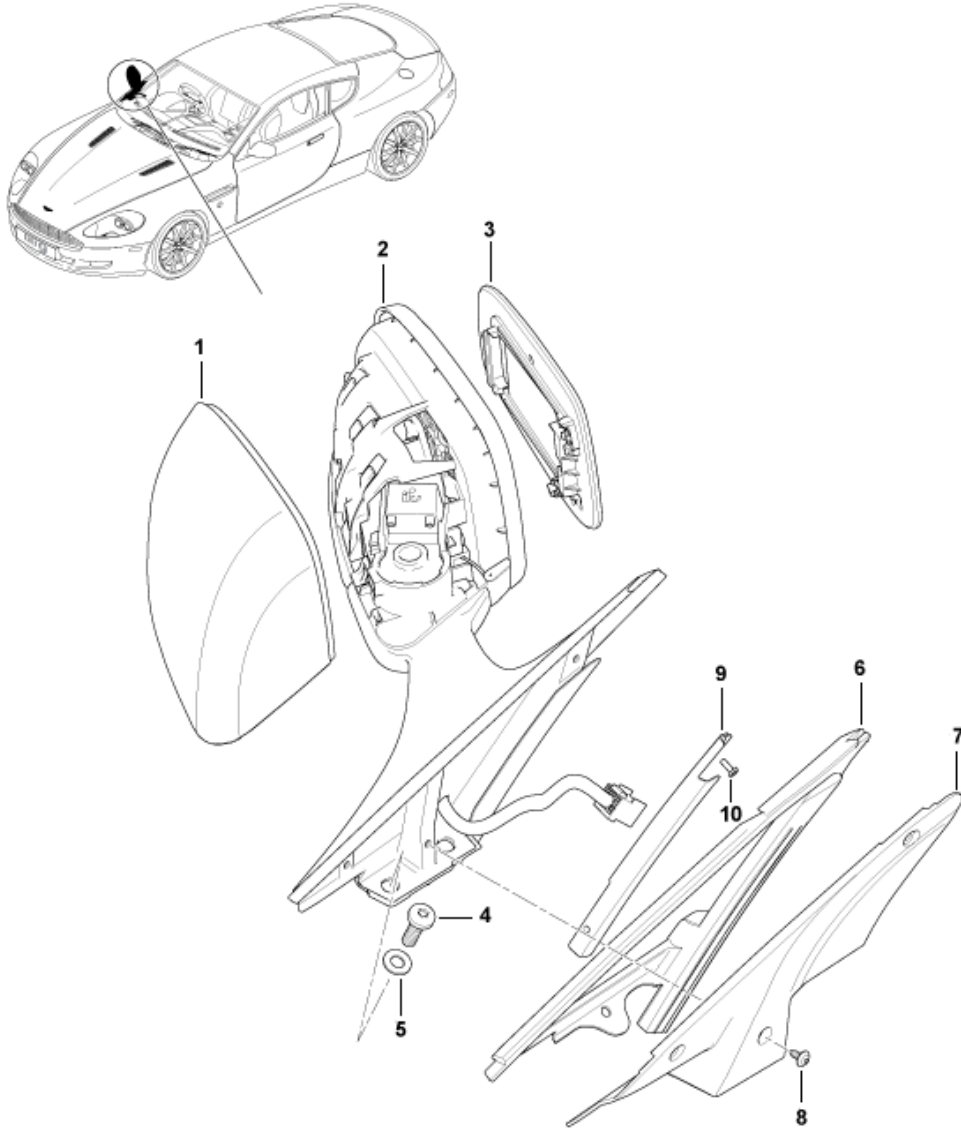
Rear View Mirrors, External

Item	Part Number	Description	Qty	Remarks
1	4G43-830912-ACW	Cover, interior door mirror, RH, dark grey	1	Up to (V) B05151
-	4G43-830912-AEW	Cover, interior door mirror, RH, dark grey	1	From (V) B05152
-	4G43-830913-ACW	Cover, interior door mirror, LH, dark grey	1	Up to (V) B05151
-	4G43-830913-AEW	Cover, interior door mirror, LH, dark grey	1	From (V) B05152
2	6G33-104101-AB	Screw, M4 x 10	6	07MY
3	4G43-17682-BC	Mirror assy, rear view, powered, RH	1	Up to (V) B05151

-	4G43-17682-BE	Mirror assy, rear view, powered, RH	1	From (V) B05152
-	4G43-17683-BC	Mirror assy, rear view, powered, LH	1	Up to (V) B05151
-	4G43-17683-BE	Mirror assy, rear view, powered, LH	1	From (V) B05152
-	4G43-17682-AC	Mirror assy, door, RH	1	Up to (V) B05151
-	4G43-17682-AD	Mirror assy, door, RH	1	From (V) B05152
-	4G43-17683-AC	Mirror assy, door, LH	1	Up to (V) B05151
-	4G43-17683-AD	Mirror assy, door, LH	1	From (V) B05152
-	37-85512	Glass, mirror, convex, RH, SAS	1	GCC spec
-	37-85513	Glass, mirror, convex, LH, SAS	1	GCC spec
-	37-85516	Glass, mirror, convex, passenger side	1	Federal
-	37-85515	Glass, mirror, convex	1	-
-	37-85514	Glass, mirror, flat, driver side	1	Federal
4	4G43-F21510-AD	Weather strip, front door glass, RH	1	Up to (V) B05151
-	4G43-F21510-BA	Weather strip, front door glass, RH	1	From (V) B05152
-	4G43-F21511-AD	Weather strip, front door glass, LH	1	Up to (V) B05151
-	4G43-F21511-BA	Weather strip, front door glass, LH	1	From (V) B05152
5	4G43-C47775-AA	Adhesive foam strip, mirror base	2	-
6	700611	Rivet	4	-
7	699840	Screw, M8 x 25, pan head	4	07MY
-	703172	Screw, M8 x 25, pan head	4	08MY
8	703131	Washer	4	-
9	4G43-F21512-BB	Channel, front door glass, RH	1	Up to (V) A05512
-	4G43-F21512-BD	Channel, front door glass, RH	1	From (V) A05513
-	4G43-F21513-BB	Channel, front door glass, LH	1	Up to (V) A05512
-	4G43-F21513-BD	Channel, front door glass, LH	1	From (V) A05513
10	37-85543	Mirror cap, door, RH	1	-
-	37-85544	Mirror cap, door, LH	1	-
-	37-86361	Motor, door mirror, non memory	2	-
-	4G43-37-10904	Motor, door mirror, memory	2	-

[Contents](#)

DB9 - BODY SYSTEM



DB9
01 BODY SYSTEM

April 2008
010904-B2
Rear View Mirrors, External, 09MY

Rear View Mirrors, External, 09MY

Item	Part Number	Description	Qty	Remarks
1	6G43-37-10129	Cover assy, rear view door mirror, RH	1	-
-	6G43-37-10128	Cover assy, rear view door mirror, LH	1	-
2	9G43-17682-DB	Mirror assy, RH	1	-
-	9G43-17683-DB	Mirror assy, LH	1	-
3	6G43-37-10124	Glass, mirror assy, convex, RH	1	EEC
-	6G43-37-10125	Glass, mirror assy, convex, LH	1	EEC
-	6G43-37-10126	Glass, mirror assy, convex, RH passenger side	1	Federal

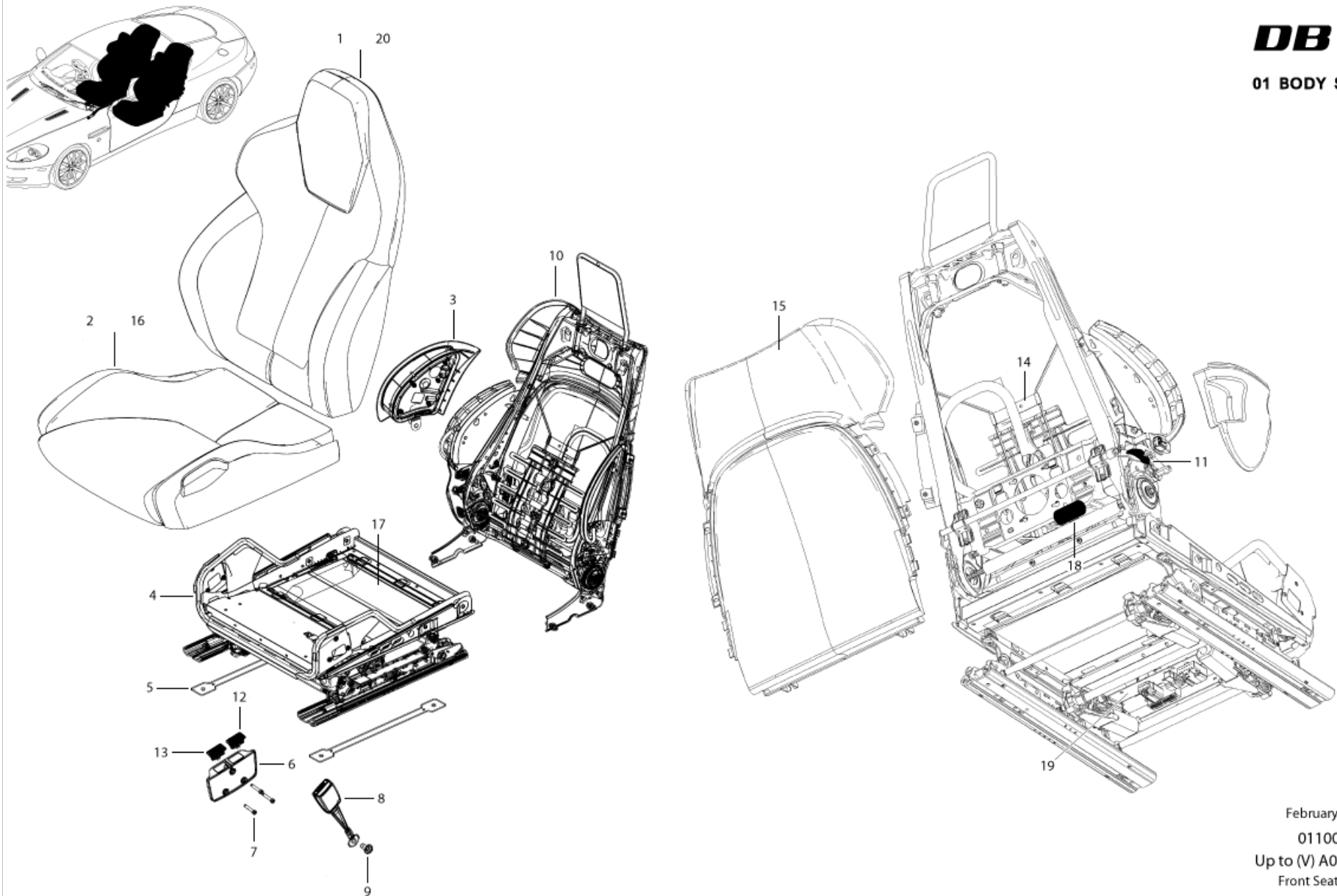
-	6G43-37-10127	Glass, mirror assy, flat, LH driver side	1	Federal
-	6G33-3063472-BA	Glass, mirror, convex, RH, SAS	1	GCC spec
-	6G33-3063373-BA	Glass, mirror, convex, LH, SAS	1	GCC spec
4	703172-PK	Screw, M8 x 25, pan head	4	-
5	703131	Washer, M8	4	-
6	8D33-F21510-BB	Weather strip, front door glass, RH	1	Up to 12/05/08
-	9G43-F21510-BB	Weather strip, front door glass, RH - Flocked finish	1	
-	8D33-F21511-BB	Weather strip, front door glass, LH	1	Up to 12/05/08
-	9G43-F21511-BB	Weather strip, front door glass, LH - Flocked finish	1	
7	4G43-830912-AEW	Cover, interior, door mirror, RH	1	-
-	4G43-830913-AEW	Cover, interior, door mirror, LH	1	-
8	6G33-104101-AB	Screw, M4 x 10	6	-
9	4G43-F21512-BD	Channel, front door glass, RH	1	-
-	4G43-F21513-BD	Channel, front door glass, LH	1	-
10	700611	Rivet	4	-
-	78-84681	Adhesive tape	A/R	-
-	77-84981	Foam strip, anti rattle	4	-
-	4G43-C47775-AA	Adhesive foam strip, mirror base	2	-
-	9G43-M3SB-AA	Butyl tape, 3mm	1	-
-	8D33-EM30L-AA	Grease, moly cote EM 30L	A/R	-

[Contents](#)

DB9 - BODY SYSTEM

DB9

01 BODY SYSTEM



February 2008
011000-B1
Up to (V) A09109
Front Seat Assy

Front Seat Assy - Up to (V)A09109

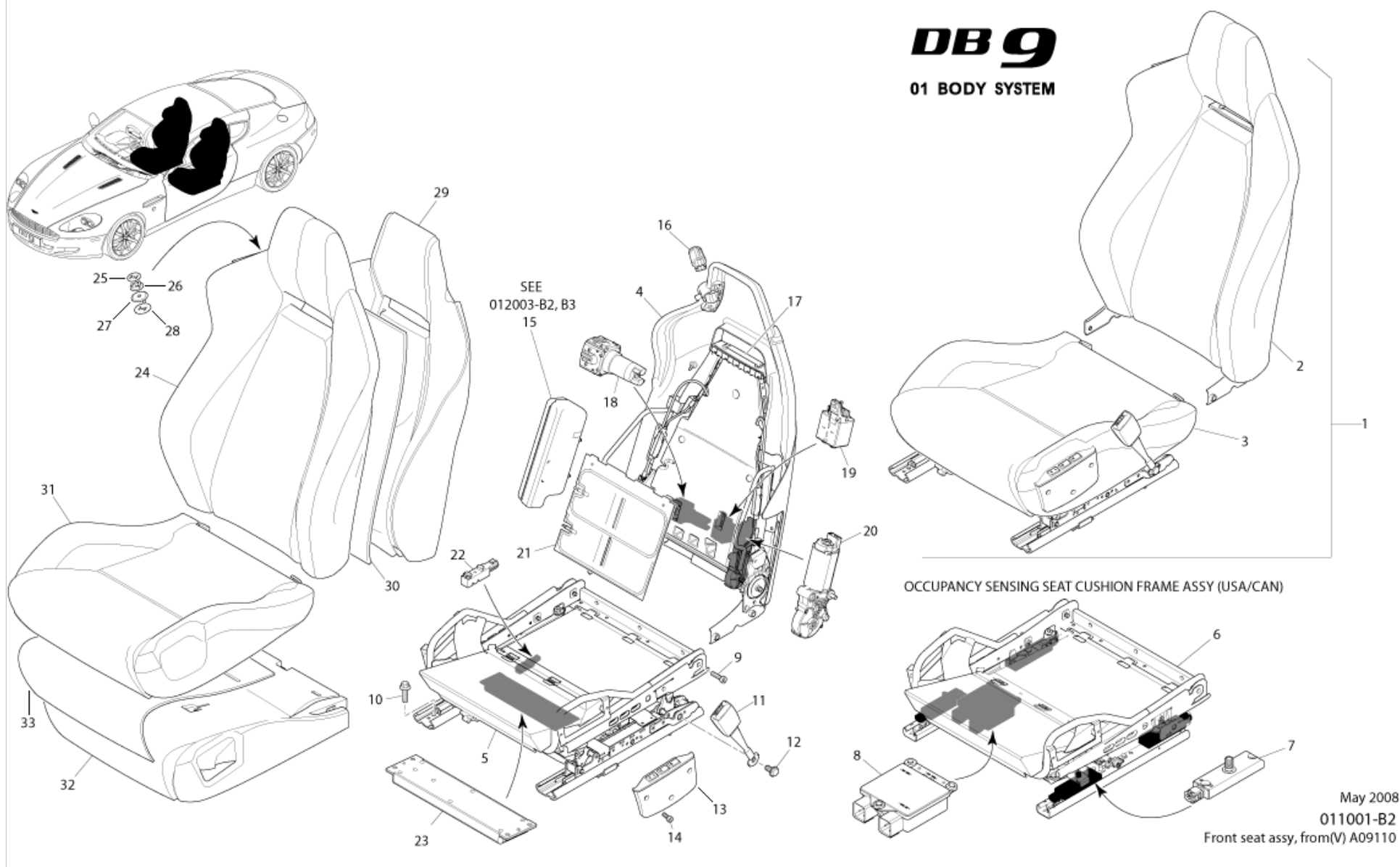
Item	Part Number	Description	Qty	Remarks
-	4G43-60008-ABW	Seat assy, front complete, RH	1	Up to (V) A06677
-	7G43-60008-ADW	Seat assy, front complete, RH	1	From (V) A06678
-	4G43-60009-ABW	Seat assy, front complete, LH	1	Up to (V) A06677
-	7G43-60009-ADW	Seat assy, front complete, LH	1	From (V) A06678
1	4G43-64572-ABW	Cover assy, front seat squab, RH	1	Up to (V) A06677
-	7G43-64572-ADW	Cover assy, front seat squab, RH	1	From (V) A06678
-	4G43-64573-ABW	Cover assy, front seat squab, LH	1	Up to (V) A06677
-	7G43-64573-ADW	Cover assy, front seat squab, LH	1	From (V) A06678
2	4G43-62900-AAW	Cover assy, front seat cushion, RH	1	Up to (V) A06677
-	7G43-62900-ADW	Cover assy, front seat cushion, RH	1	From (V) A06678
-	4G43-62901-AAW	Cover assy, front seat cushion, LH	1	Up to (V) A06677
-	7G43-62901-ADW	Cover assy, front seat cushion, LH	1	From (V) A06678
3	4G43-600B94-AAW	Side airbag, RH	1	Up to (V) A06677
-	4G43-74-10690	Side airbag, RH	1	From (V) A06678
-	4G43-600B95-AAW	Side airbag, LH	1	Up to (V) A06677
-	4G43-74-10689	Side airbag, LH	1	From (V) A06678
4	4G43-74-10116	6 Way height adjuster, including motors	2	Up to (V) A06677
-	4G43-L60344-AC	6 Way height adjuster, including cushion frame	2	Up to (V) A06677
-	7G43-L60344-AD	Front seat cushion frame, height adjusting, ROW	2	From (V) A06678
-	7G43-L60344-AD	Front seat cushion frame, height adjusting, USA/Can	1	From (V) A06678
-	7G43-L60344-CB	Front seat cushion frame, non height adjusting, USA/Can	1	From (V) A06678
-	702940	Screw, M8 x 30, seat front to body	8	-
5	4G43-61888-AC	Spacer, front seats	4	Up to (V) A06677
6	4G43-647K22-AA	Switch assy, valance heater and lumbar	1	Up to (V) A06677
-	7G43-647K22-AC	Switch assy, valance heater and lumbar	1	From (V) A06678
7	4G43-618A38-AB	Screw M6 x 35 socket head	3	Up to (V) A06677
8	4G43-613K22-BC	Buckle assy, front seat	2	07MY
9	NSS	Screw, part of buckle assy	2	-
10	4G43-64800-AB	Squab frame, front seat, RH	1	Up to (V) A06677
-	7G43-64800-AE	Squab frame, front seat, RH, memory	1	From (V) A06678
-	4G43-64801-AB	Squab frame, front seat, LH	1	Up to (V) A06677
-	7G43-64802-AD	Squab frame, front seat, LH, memory	1	From (V) A06678
11	4G43-61198-AA	Handle release lever, RH	1	Up to (V) A06677
-	4G43-61199-AA	Handle release lever, LH	1	Up to (V) A06677
12	4G43-647K22-AA	Switch assy, valance heater & lumbar	2	Up to (V) A06677
-	7G43-647K22-AC	Switch assy, valance heater & lumbar	2	From (V) A06678
-	4G43-14D693-AA	Seat switch assy, lumbar	1	Up to (V) A06677
-	7G43-14D693-AA	Seat switch assy, lumbar, upper	1	From (V) A06678

-	7G43-14D692-AA	Seat switch assy, lumbar, lower	1	From (V) A06678
13	4G43-14D694-AA	Switch, seat heating	2	Up to (V) A06677
-	7G43-14D694-AA	Switch, seat heating	2	From (V) A06678
14	4G43-74-10124	Kit, lumbar support	1	Up to (V) A06677
15	4G43-62293-AAW	Panel, upper back	2	Up to (V) A06677
16	4G43-60050-ABW	Cushion assy, front seat trimmed, RH	1	Up to (V) A06677
-	7G43-60050-ADW	Cushion assy, front seat trimmed, RH	1	From (V) A06678
-	4G43-60051-ABW	Cushion assy, front seat trimmed, LH	1	Up to (V) A06677
-	7G43-60051-ADW	Cushion assy, front seat trimmed, LH	1	From (V) A06678
-	4G43-9515-AA	Foam, cushion, RH	1	Up to (V) A06677
-	7G43-9515-AC	Foam, cushion, RH	1	From (V) A06678
-	4G43-9516-AA	Foam, cushion, LH	1	Up to (V) A06677
-	7G43-9516-AC	Foam, cushion, LH	1	From (V) A06678
17	4G43-74-10119	Suspension mat	2	-
18	4G43-74-10127	Kit, squab motor	2	For pre 07MY cars only
19	4G43-74-10118	Connector bracket	2	-
20	4G43-60136-AAW	Squab assy, front seat trimmed, RH	1	Up to (V) A06677
-	7G43-60136-ADW	Squab assy, front seat trimmed, RH	1	From (V) A06678
-	4G43-60137-AAW	Squab assy, front seat trimmed, LH	1	Up to (V) A06677
-	7G43-60137-ADW	Squab assy, front seat trimmed, LH	1	From (V) A06678
-	4G43-4D9513-AA	Foam, squab, RH	1	Up to (V) A06677
-	7G43-4D9514-AB	Foam, squab, RH	1	From (V) A06678
-	4G43-4D9514-AA	Foam, squab, LH	1	Up to (V) A06677
-	7G43-4D9513-AB	Foam, squab, LH	1	From (V) A06678
-	4G43-14D698-AA	Element, cushion heating	2	Up to (V) A06677
-	7G43-14D698-AB	Element, cushion heating	2	From (V) A06678
-	4G43-14D696-AA	Element, squab heating	2	Up to (V) A06677
-	7G43-14D696-AB	Element, squab heating	2	From (V) A06678
-	4G43-19K322-AA	Relays, heating	4	Up to (V) A06677
-	4G43-74-10125	Kit, back shell	1	-
-	4G43-74-10126	Kit, harness	1	Up to (V) A06677
-	4G43-74-10913	Seat harness, with memory	1	07MY
-	4G43-74-10914	Seat harness, non memory	1	07MY
-	7G43-74-11070	Cushion frame harness	1	From (V)A06678
-	4G43-74-10122	Valance, recliner, RH	1	-
-	4G43-74-10123	Valance, recliner, LH	1	-
-	4G43-14D719-BB	Front seat quadrant, rejection ECU module	2	Up to (V) A06677
-	7G43-14D715-AE	Module, front seat memory, driver	1	From (V) A06678
-	7G43-14D715-BE	Module, front seat memory, passenger	1	From (V) A06678

-	7G43-625B00-CC	Module, passenger seat weight	1	From (V) A06678
-	7G43-625B02-BA	Sensor, passenger seat weight	1	From (V) A06678
-	7G43-14B426-AB	Sensor, seat track position	2	From (V) A06678
-	7G43-605W00-ACW	Strap, squab release, manual override	2	From (V) A06678
-	6G33-062A00-AA	Switch assy, glovebox electronic open	2	From (V) A06678
-	7G43-061B53-AB	Switch, valance cover, 3 hole	2	From (V) A06678

[Contents](#)

DB9 - BODY SYSTEM



Front Seat Assy - From (V)A09110

Item	Part Number	Description	Qty	Remarks

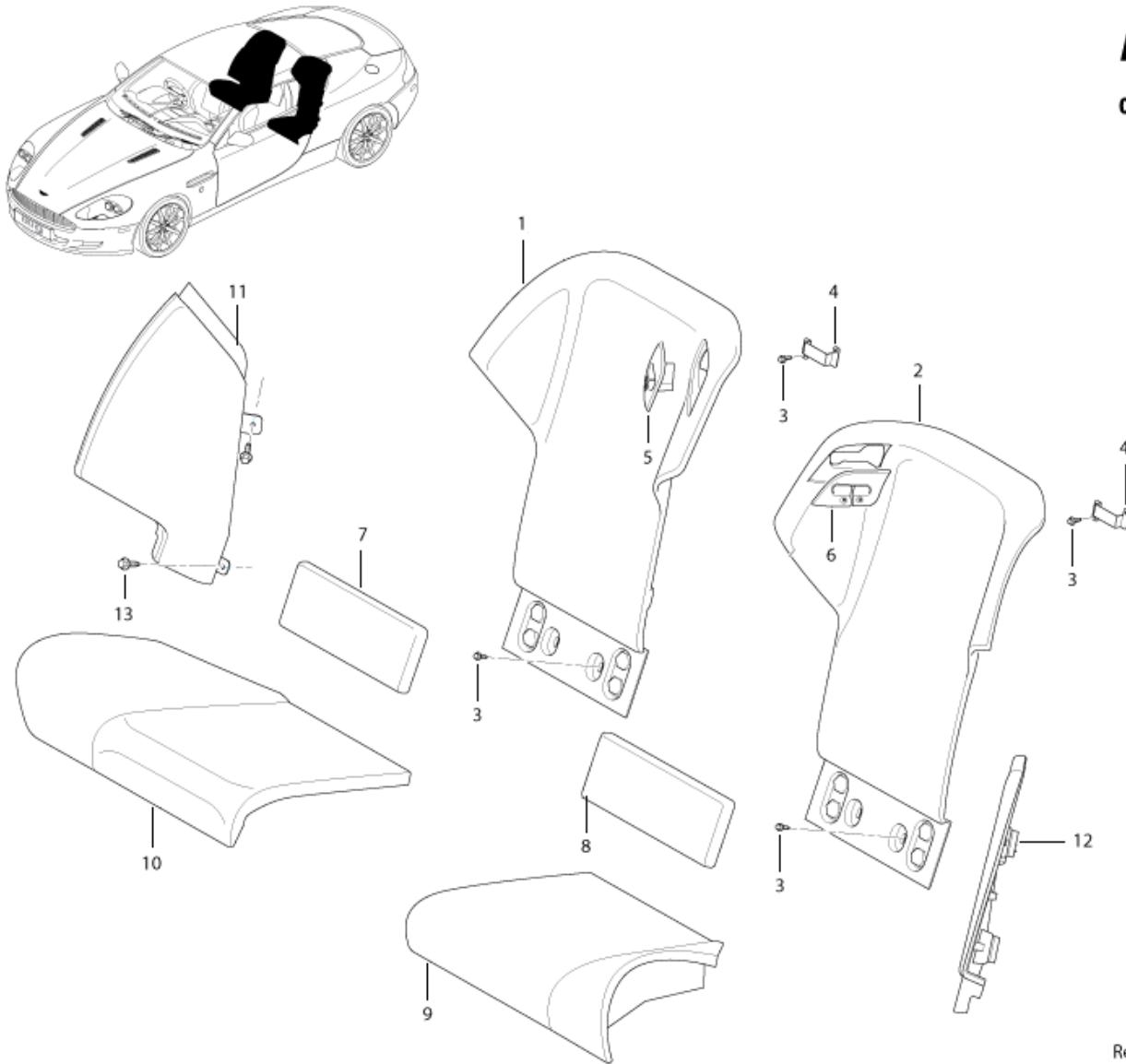
1	7G43-60008-AFW	Seat assy front, complete, RH	1	-
-	7G43-60009-AFW	Seat assy front, complete, LH	1	-
-		Seat assy front, complete, OCS, RH	1	USA/CAN
-		Seat assy front, complete, OCS, LH	1	USA/CAN
2	7G43-60136-AFW	Squab assy, front seat trimmed, RH	1	-
-	7G43-60137-AFW	Squab assy, front seat trimmed, LH	1	-
3	7G43-60050-AFW	Cushion assy, front seat trimmed, RH	1	-
-	7G43-60051-AFW	Cushion assy, front seat trimmed, LH	1	-
4	7G43-64800-AE	Squab frame assy, front seat, RH	1	-
-	7G43-64802-AD	Squab frame assy, front seat, LH	1	-
5	7G43-L60344-AD	Cushion frame assy, front seat, height adjusting	2	ROW
-	7G43-L60344-AD	Cushion frame assy, front seat, height adjusting	1	USA/Can
6	7G43-L60344-CB	Cushion frame assy, front seat, OCS	1	USA/Can
-	7G43-74-11070	Cushion frame harness	1	Not illustrated
7	7G43-625B02-BA	Sensor, passenger seat weight	1	-
8	7G43-625B00-CC	Module, passenger seat weight	1	-
9	4G43-61538-AB	Bolt, M8 x 30, socket head, squab to frame	4	-
10	703733	Screw, flg, M8 x 25	4	-
11	4G43-613K22-BD	Buckle assy, front seat belt	1	-
12	NSS	Screw, part of buckle assy	1	-
13	7G43-14E693-AA	Switch pack assy, front seat height lumbar, RH	1	-
-	7G43-14E693-CA	Switch pack assy, front seat height lumbar, LH	1	-
14	7G43-N014740-AA	Screw, M6 x 16, socket head	3	-
15	4G43-74-10690	Airbag, RH	1	-
-	4G43-74-10689	Airbag, LH	1	-
16	6G33-062A00-AA	Switch, seat tilt	1	-
17	7G43-605W00-ACW	Strap, squab release, manual override	1	-
18	8G33-65532-AA	Pump front seat lumbar	1	-
19	8G33-65524-AA	Valve front seat lumbar	1	-
20	4G43-74-10127	Kit, squab motor	1	-
21	8G33-65500-AA	Lumbar air bladder	1	-
22	7G43-14B426-AB	Sensor, seat track position	1	-
23	8G43-14D715-AB	Module, seat function control, RH	1	-
-	8G43-14D715-BB	Module, seat function control, LH	1	-
24	7G43-64572-AFW	Cover assy front seat squab, RH	1	-
-	7G43-64573-AFW	Cover assy front seat squab, LH	1	-
25	6G33-61L16-BA	Washer, small, magnetic	2	-

26	6G33-61L16-CA	Pin, small, magnetic	2	-
27	6G33-61L16-DA	Latch, large, magnetic	2	-
28	6G33-61L16-EA	Washer, large, magnetic	2	-
29	7G43-4D9514-AB	Foam, squab, RH	1	-
-	7G43-4D9513-AB	Foam, squab, LH	1	-
30	7G43-14D696-AB	Element, squab heating	1	-
31	7G43-62900-AFW	Cover assy front seat cushion, RH	1	-
-	7G43-62901-AFW	Cover assy front seat cushion, LH	1	-
32	7G43-9515-AD	Foam, cushion, RH	1	-
-	7G43-9516-AD	Foam, cushion, LH	1	-
33	7G43-14D698-AC	Element, cushion heating	1	-

[Contents](#)

DB9 - BODY SYSTEM

DB9
01 BODY SYSTEM



September 2007
011003-B3
Rear Seat Assy, Coupe

Rear Seat Assy - Coupe

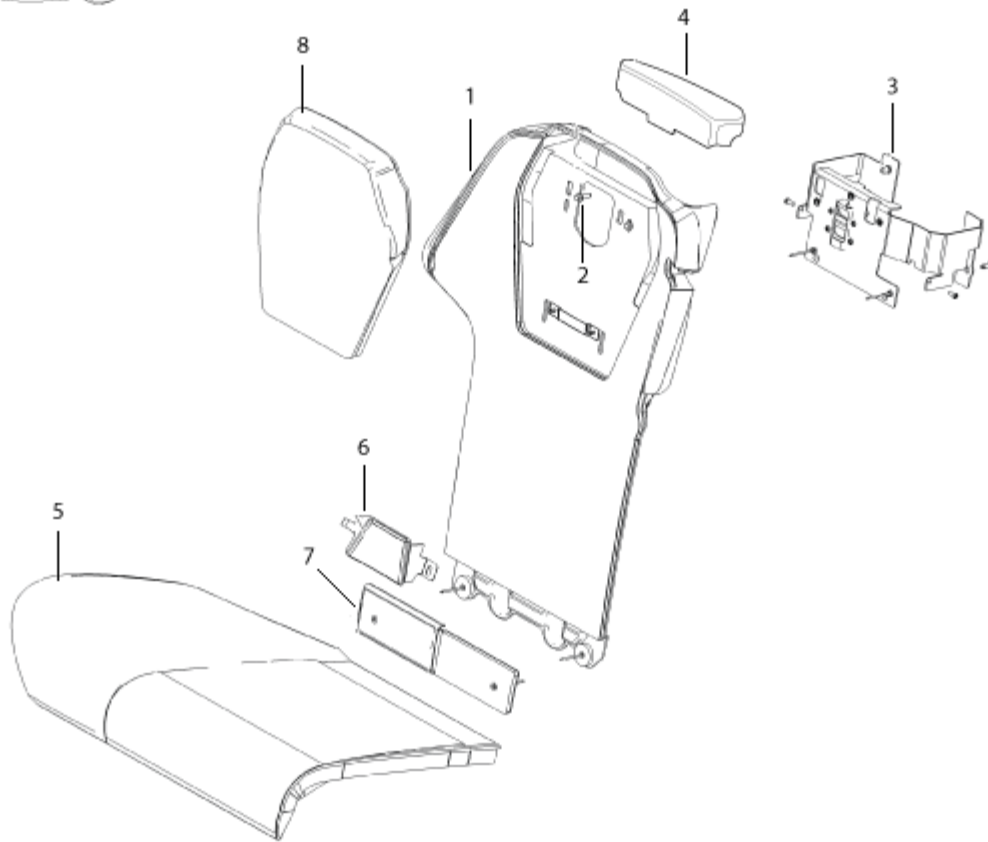
Item	Part Number	Description	Qty	Remarks
1	7G43-60032-ACW	Back assy, rear seat, coupe, RH	1	-
2	7G43-60033-ABW	Back assy, rear seat, coupe, LH	1	07MY
-	8G43-60033-ABW	Back assy, rear seat, coupe, LH	1	08MY
3	701437	Screw, flg, M5 x 16	8	07MY
-	703026	Screw, flg, M5 x 16	8	08MY
4	4G43-41171-AA	Bracket, fixing, rear squab	2	-
5	4G43-611B90-AD	Bezel, rear seatbelt, RH	1	-
6	4G43-611B91-AD	Bezel, rear seatbelt, LH	1	-

7	4G43-63846-ABW	Lumbar pad, rear seat, RH	1	-
8	4G43-63847-ABW	Lumbar pad, rear seat, LH	1	-
9	7G43-60081-ACW	Cushion assy, rear seat, LH	1	-
10	7G43-60080-ACW	Cushion assy, rear seat, RH	1	-
11	4G43-60594-ABW	Bolster panel, rear seat assy, RH	1	-
12	4G43-60595-ABW	Bolster panel, rear seat assy, LH	1	-
13	701437	Screw, flg, M5 x 16	8	07MY
-	703026	Screw, flg, M5 x 16	8	08MY

DB9 - BODY SYSTEM



DB9
01 BODY SYSTEM



September 2007
011003-B4
Rear Seat Assy, Volante

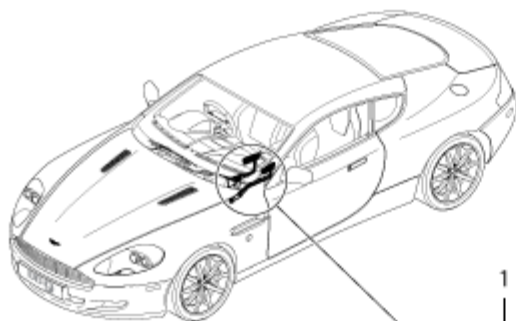
Rear Seat Assy, Volante

Item	Part Number	Description	Qty	Remarks
1	7G43-L60032-AAW	Back assy, rear seat, volante, RH	1	-
-	8G43-L60033-ABW	Back assy, rear seat, volante, LH	1	08MY
2	701437	Screw, flg, M5 x 16	8	07MY
-	703026	Screw, flg, M5 x 16	8	08MY

3	7G43-L64216-AB	Bracket, back support, RH	1	-
-	7G43-L64217-AB	Bracket, back support, LH	1	-
4	4G43-L465C00-AAW	Cover assy, ROPS, RH	1	06MY
-	7G43-L465C00-ABW	Cover assy, ROPS, RH	1	07MY on
-	4G43-L465C01-AAW	Cover assy, ROPS, LH	1	06MY
-	7G43-L465C01-ABW	Cover assy, ROPS, LH	1	07MY on
5	7G43-60080-ACW	Cushion assy, rear seat, RH	1	-
-	7G43-60081-ACW	Cushion assy, rear seat, LH	1	-
6	4G43-L672A20-ABW	Panel assy, RH	1	-
-	4G43-L672A21-ABW	Panel assy, LH	1	-
7	4G43-L63846-ACW	Pad assy, cushion lower, RH	1	-
-	4G43-L63847-ACW	Pad assy, cushion lower, LH	1	-
8	4G43-465T10-ABW	Headrest assy	2	-
-	701356	Blind rivet, pan head	8	-

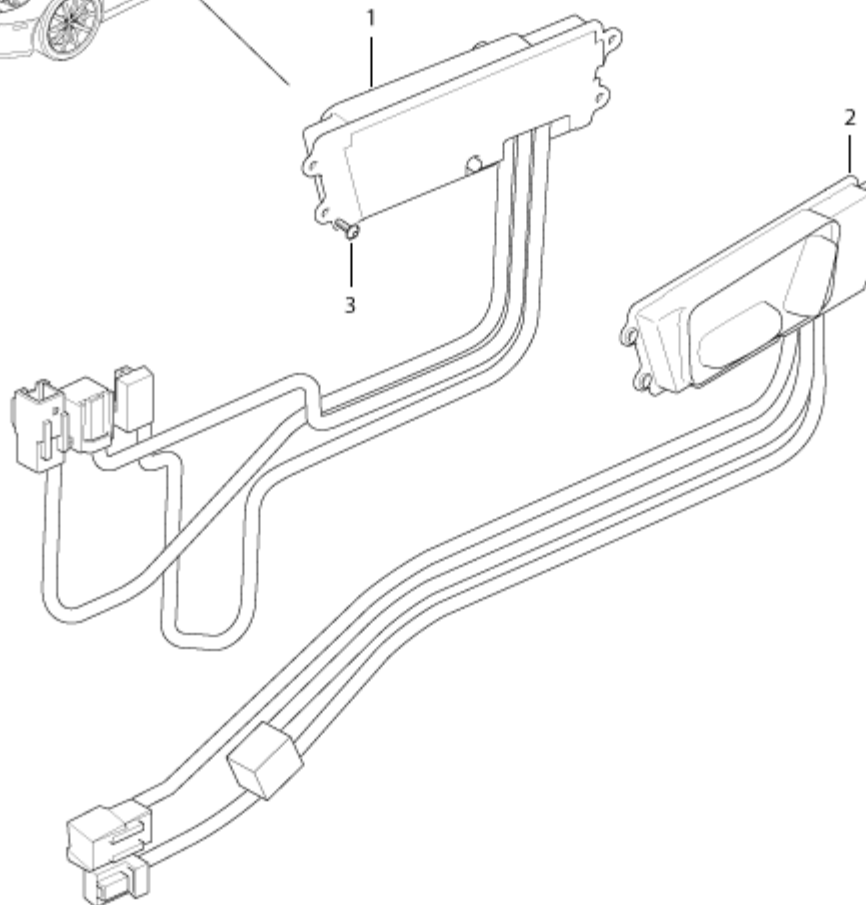
[Contents](#)

DB9 Body System



DB9

01 BODY SYSTEM



September 2007

011009-D1

Front Seat Adjustment

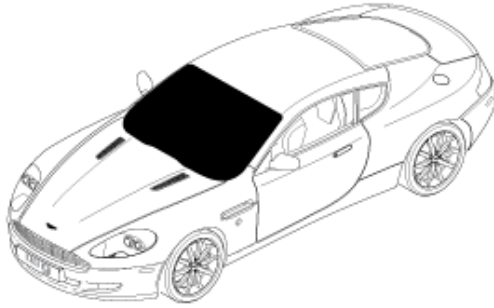
Front Seat Adjustment

Item	Part Number	Description	Qty	Remarks
1	4G43-14B566-BB	Switchpack assy, seat, RH	1	-
-	7G43-14A701-AC	Switchpack assy, seat, RH	1	07MY/08MY
-	7G33-14A701-AC	Switchpack assy, seat, RH, non height adj	1	07MY/08MY Fed only

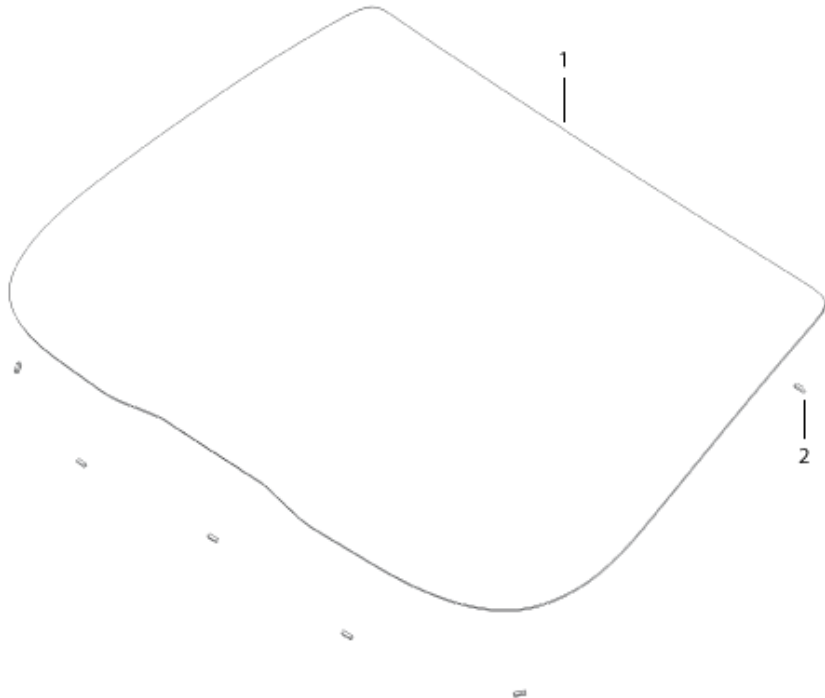
2	4G43-14B566-AB	Switchpack assy, seat, LH	1	-
-	7G43-14B709-AC	Switchpack assy, seat, LH	1	07MY/08MY
3	701447	Screw, 4 x 12 pan head, switch to trim	8	-

[Contents](#)

DB9 - BODY SYSTEM



DB9
01 BODY SYSTEM



August 2007
011101-B1
Non Heated Windshield

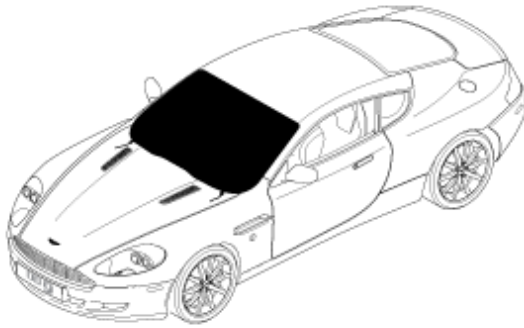
Non Heated Windshield

Item	Part Number	Description	Qty	Remarks
1	4G43-F03102-A-P1A01	Windshield, front, non heated	1	07MY
-	4G43-F03102-B-P1A03	Seal, front, windscreen	1	-
-	8G43-F03102-CB	Windshield, front, non heated	1	08MY
2	4G43-03836-AB	Bumpon black GTI	3	-
-	4G43-F03103-AA	Reflective pad	1	-
-	700782	Betaseal		-

-	700784	Betawipe VPO 4604	-
-	700779	Betaprime 5404	-
-	700786	Betaprime 5001	-
-	4G43-700785-AA	Betaseal 1882	(200l drum)

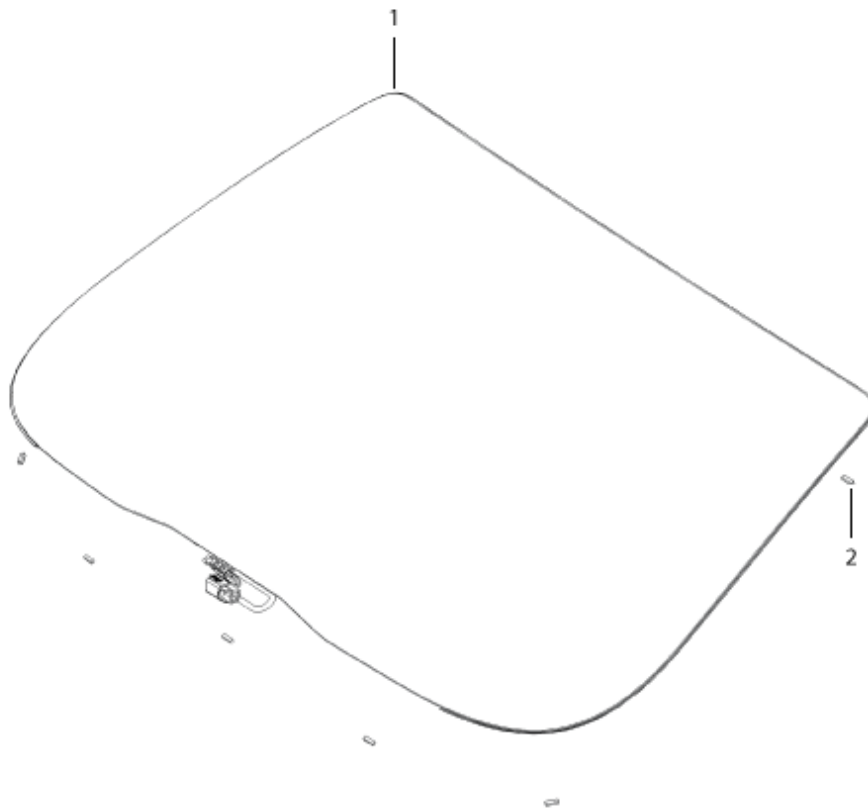
[Contents](#)

DB9 - BODY SYSTEM



DB9

01 BODY SYSTEM



August 2007

011102-B1

Heated Windshield

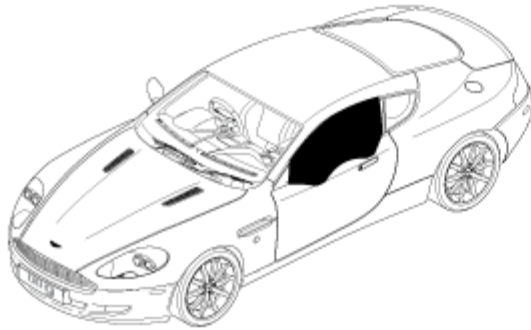
Heated Windshield

Item	Part Number	Description	Qty	Remarks
1	4G43-F03102-B-P1A01	Windshield front, heated	1	-
-	4G43-F03102-B-P1A03	Seal, front windscreen	1	-
2	4G43-03836-AB	Bumpon black GTI	3	-
-	4G43-F03103-AA	Reflective pad	1	-

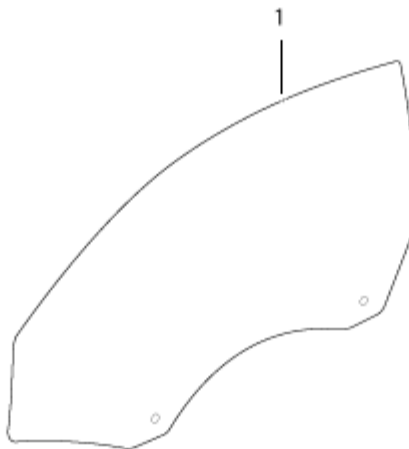
-	700782	Betaseal		-
-	700784	Betawipe VPO 4604		-
-	700779	Betaprime 5404		-
-	700786	Betaprime 5001		-
-	4G43-700785-AA	Betaseal 1882		(200l drum)

[Contents](#)

DB9 Body System



DB9
01 BODY SYSTEM



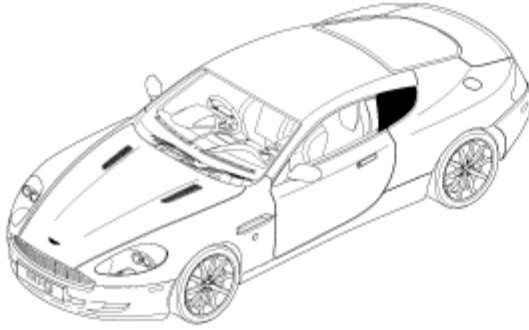
January 2006
011103-B1
Front Door Glass

Front Door Glass

Item	Part Number	Description	Qty	Remarks
1	4G43-F21411-AE	Glass, front door tinted, LH	1	Coupe
-	4G43-F21410-AE	Glass, front door tinted, RH	1	Coupe
-	4G43-L21411-AB	Glass, front door tinted, LH	1	Volante
-	4G43-L21410-AB	Glass, front door tinted, RH	1	Volante

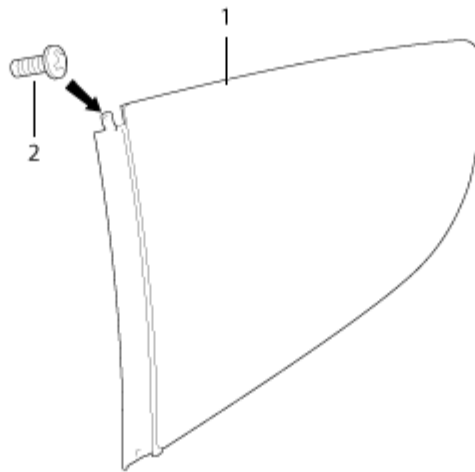
[Contents](#)

DB9 - BODY SYSTEM



DB9

01 BODY SYSTEM



January 2006

011104-B1

Glass Assembly Quarter Window

Glass Assembly Quarter Window

Item	Part Number	Description	Qty	Remarks
1	4G43-N29751-AE	Glass, quarter window, LH, Coupe	1	Gloss paint finish
-	4G43-N29750-AE	Glass, quarter window, RH, Coupe	1	Gloss paint finish
1	9G43-N29751-AA	Glass, quarter window, LH, Coupe	1	Satin paint finish
-	9G43-N29750-AA	Glass, quarter window, RH, Coupe	1	Satin paint finish

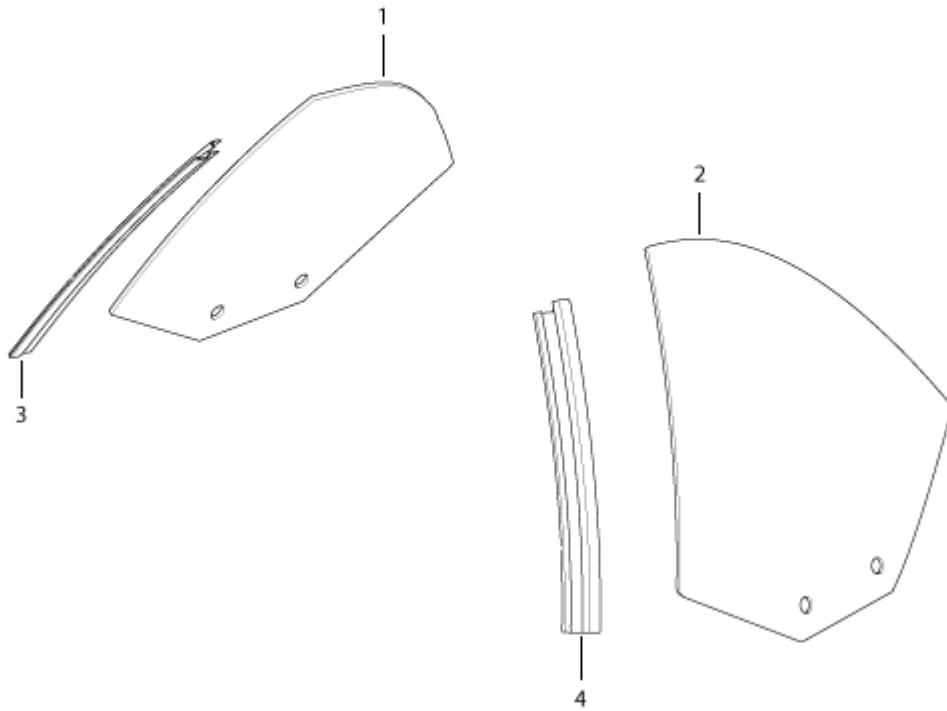
2	700242	Screw, M5 x 16	2	-
---	--------	----------------	---	---

[Contents](#)

DB9 Body System



DB9
01 BODY SYSTEM



January 2006

011104-B2

Glass Assembly Quarter Window, Volante

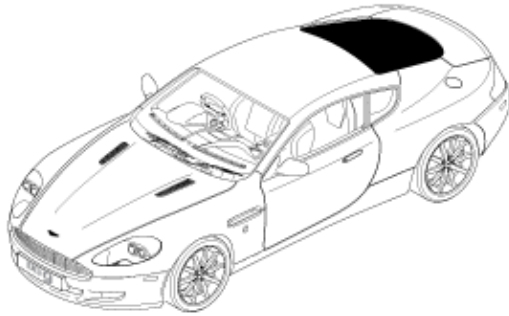
Glass Assembly Quarter Window, Volante

Item	Part Number	Description	Qty	Remarks
1	4G43-N29750-BA	Glass, quarter window, RH, Volante	1	-
2	4G43-N29751-BA	Glass, quarter window, LH, Volante	1	-
-	700242	Screw, M5 x 16	2	-
3	4G43-L30270-AA	Weatherstrip, B post, RH, retainer	1	-

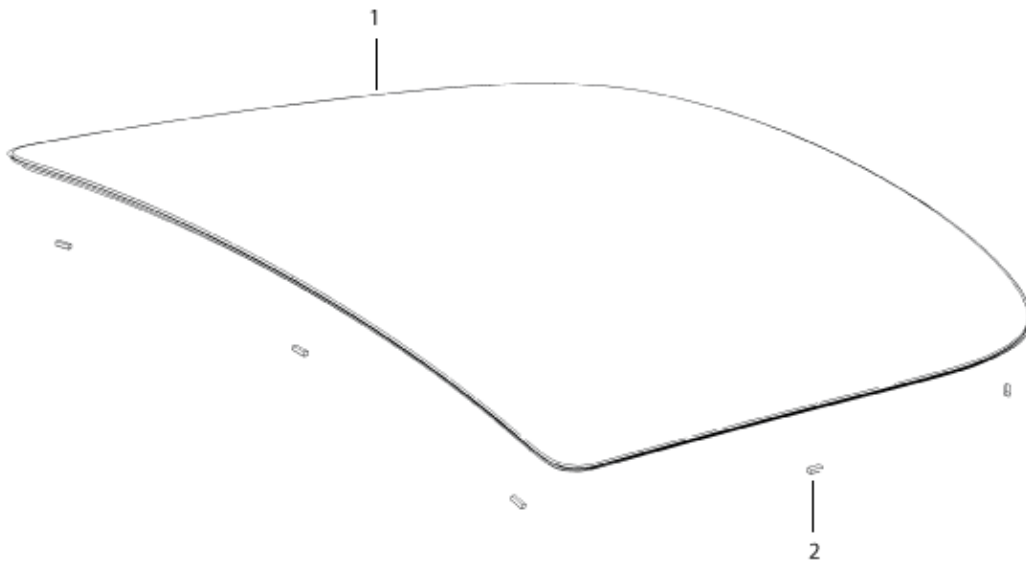
4	4G43-L30271-AA	Weatherstrip, B post, LH, retainer	1	-
-	4G43-51757-AA	Screw, M4, self tap	2	-

[Contents](#)

DB9 - BODY SYSTEM



DB9
01 BODY SYSTEM



August 2007
011106-B1
Heated Backlight

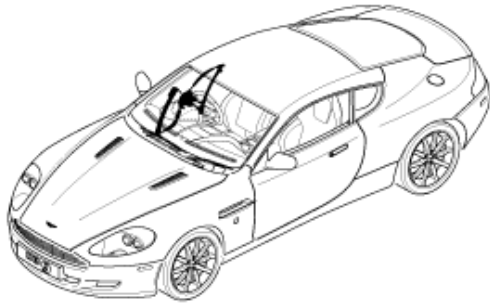
Heated Backlight

Item	Part Number	Description	Qty	Remarks
1	4G43-F42006-AE	Windshield, rear	1	Coupe
2	4G43-03836-AB	Bumpon black GTI	8	-
-	700782	Betaseal		-
-	700784	Betawipe VPO 4604		-
-	700779	Betaprime 5404		-

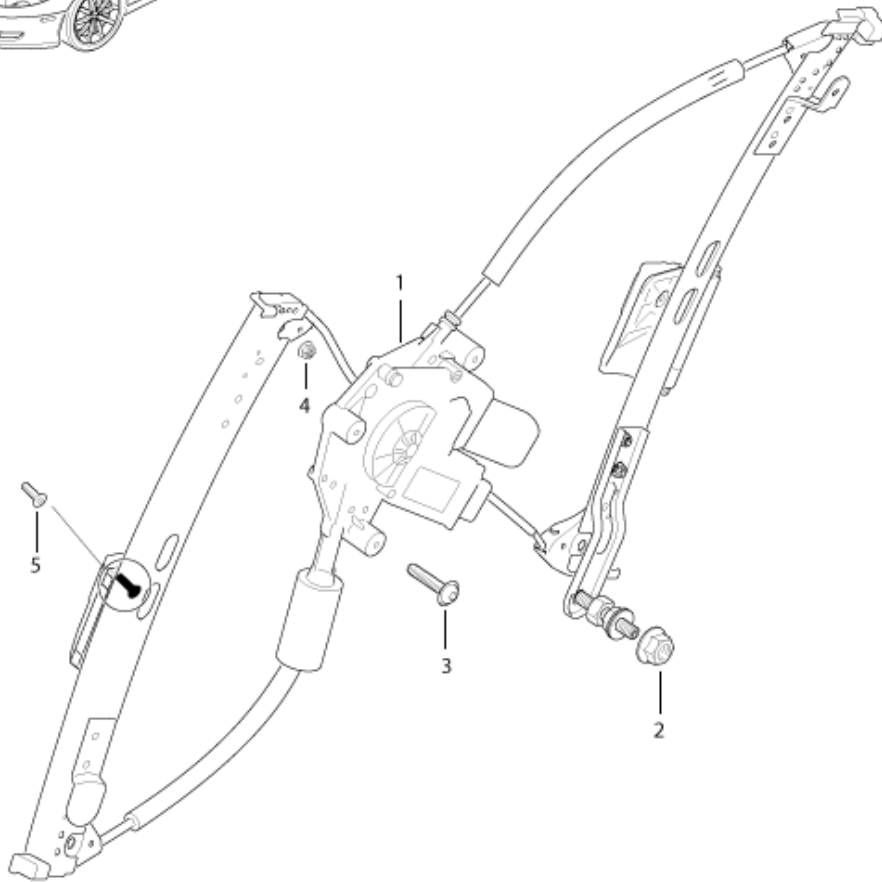
-	700786	Betaprime 5001	-
-	4G43-700785-AA	Betaseal 1882	(200l drum)

[Contents](#)

DB9 Body System



DB9
01 BODY SYSTEM



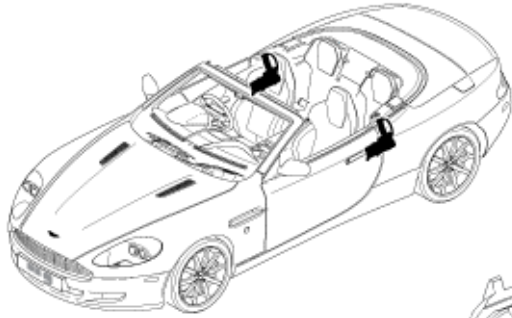
August 2007

011108-B1

Power Window Regulators

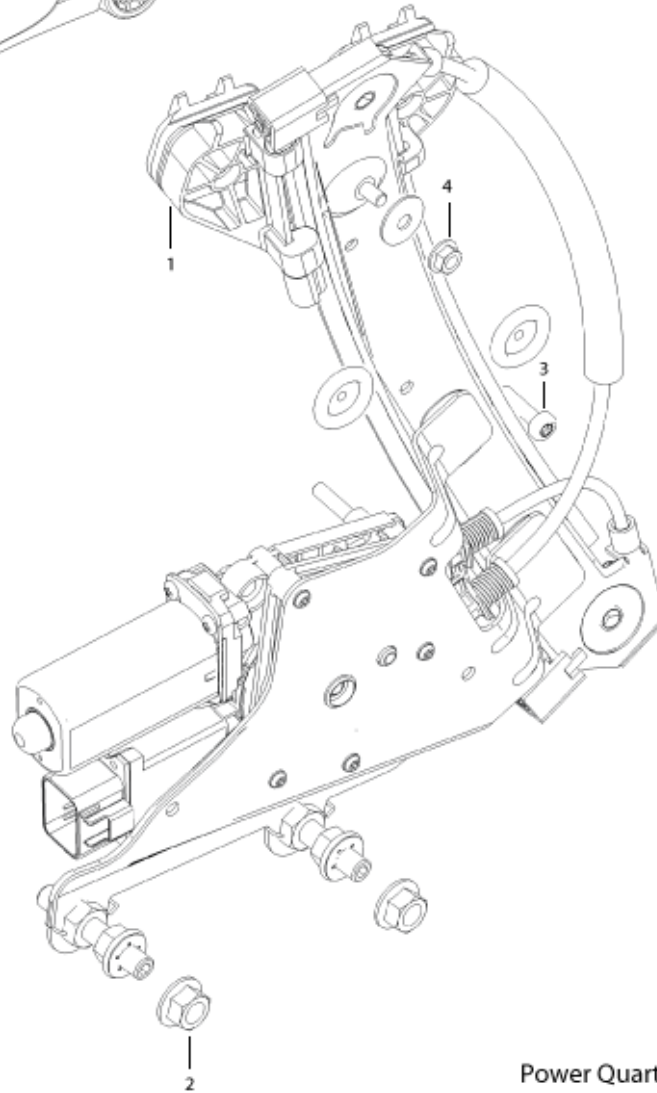
Power Window Regulators

Item	Part Number	Description	Qty	Remarks
1	4G43-F23200-AE	Regulator, door glass, RH	1	-
-	4G43-F23201-AE	Regulator, door glass, LH	1	-
2	703160	Nut, flg, M10	2	-
3	702085	Screw, self tap, torx head	6	-
4	702944	Nut, flg, M6	6	-
5	703134	Screw, M6 x 16	4	-



DB9

01 BODY SYSTEM



March 2006

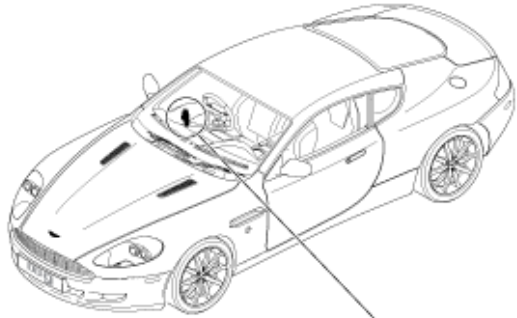
011108-B2

Power Quarter Window Regulator, VOLANTE

Power Quarter Window Regulator, Volante

Item	Part Number	Description	Qty	Remarks
-	4G43-F27001-AG	Regulator, rear quarter assy, LH, VOLANTE	1	-
1	4G43-F27000-AG	Regulator, rear quarter assy, RH, VOLANTE	1	-
2	699838	Nut, flg, M10, regulator to body	4	-
3	702085	Screw, self tap, torx, motor to body	6	-

4	701170	Nut, flg, M6, regulator to body	2	-
-	701454	Screw, M6 x 16, pan head, torx, glass to regulator	4	-



DB9
01 BODY SYSTEM



March 2008
011109-D1
Window Mirror Lock Controller

Window Mirror Lock Controller

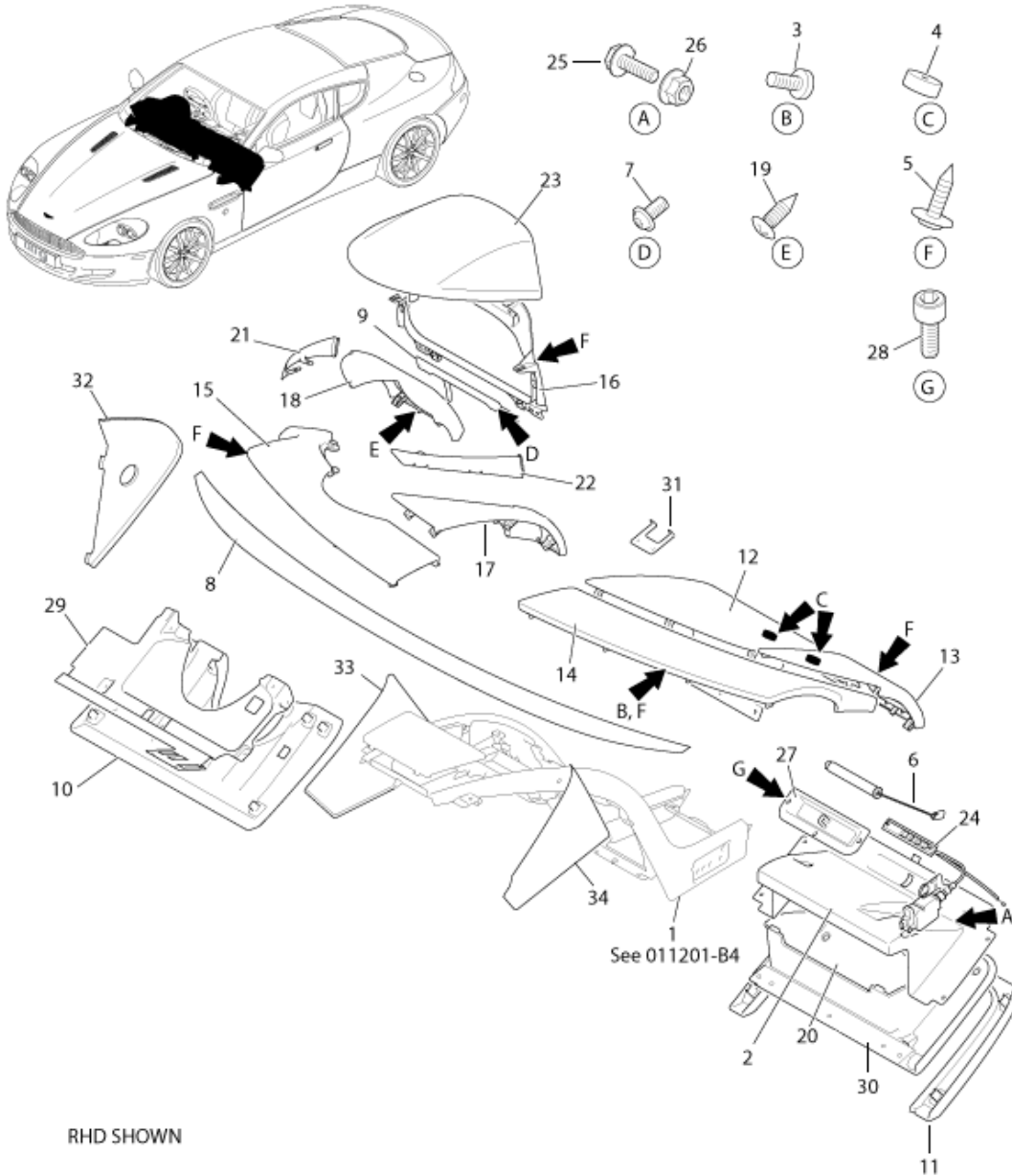
Item	Part Number	Description	Qty	Remarks
1	4G43-14550-AB	Switch, driver window lift	1	Platinum
-	4G43-14540-BB	Switch, driver window lift, with powerfold mirrors	1	Platinum

-	6G33-14540-AA	Switch, driver window lift	1	Anthracite
-	6G33-14540-BA	Switch, driver window lift, with powerfold mirrors	1	Anthracite
-	7G33-14540-AA	Window lift switch, driver side	1	07/08MY Graphite
-	7G33-14540-BA	Window lift switch, driver side with powerfold mirrors	1	07/08MY Graphite
-	9G43-14540-AA	Window lift switch, driver side, with powerfold mirrors	1	9.5MY Iridium
-	4G43-14717-AB	Window lift switch, passenger side	1	Platinum
-	6G33-14717-AA	Window lift switch, passenger side	1	Anthracite
-	7G33-14717-AA	Window lift switch, passenger side	1	07/08MY Graphite
-	9G43-14717-AA	Window lift switch, passenger side	1	9.5MY Iridium
2	701447	Screw, M4 x 10, torx	8	-

[Contents](#)

DB9 - BODY SYSTEM

DB9
01 BODY SYSTEM



November 2004

011201-B2

Instrument Panel Up to 09MY

Instrument Panel Up to 09MY

Item	Part Number	Description	Qty	Remarks
1	4G43-C04350-ACW	Panel, instrument centre	1	From 12-8-04 Up to 11-7-05
-	4G43-C04350-ADW	Panel, instrument centre	1	From 11-7-05 Up to 19-11-05
-	4G43-C04350-AEW	Panel, instrument centre	1	From 19-11-05 Up to 22-3-07

-	4G43-C04350-AFW	Panel, instrument centre	1	From 22-3-07
2	6G33-56241-AD	Shield, sight, glovebox assy	1	07MY
-	6G33-56241-AE	Shield, sight, glovebox assy	1	08MY From (V) A09110
3	701442	Screw, M6, pan head	7	-
4	4G43-C045F70-AB	Retainer, passenger air bag	4	-
5	701157	Screw, 4.2 x 16, self tap	63	-
6	4G43-C06102-AB	Damper	1	-
7	701445	Screw, M4 x 8, pan head	7	-
8	4G43-44643-AB	Panel, edge finisher	1	From 5-1-04 Up to 11-7-05
9	4G43-3T501-AAW	Cover, steering column	1	-
10	4G43-C04325-BEW	Panel assy, instrument lower, driver, RHD	1	Up to 21-4-06
-	4G43-C04325-BFW	Panel assy, instrument lower, driver, RHD	1	From 21-4-06 Up to 12-6-06
-	4G43-C04325-BGW	Panel assy, instrument lower, driver, RHD	1	From 12-6-06 Up to 22-12-06
-	4G43-C04325-BHW	Panel assy, instrument lower, driver, RHD	1	From 22-12-06
-	4G43-C04325-AEW	Panel assy, instrument lower, driver, LHD	1	Up to 21-4-06
-	4G43-C04325-AFW	Panel assy, instrument lower, driver, LHD	1	From 21-4-06 Up to 12-6-06
-	4G43-C04325-AGW	Panel assy, instrument lower, driver, LHD	1	From 12-6-06 Up to 22-12-06
-	4G43-C04325-AHW	Panel assy, instrument lower, driver, LHD	1	From 22-12-06
11	4G43-C043K93-BDW	Panel assy, lower passenger, RHD	1	-
-	4G43-C043K93-ADW	Panel assy, lower passenger, LHD	1	-
12	4G43-C044H58-BFW	Panel & door assy, airbag, RHD	1	-
-	4G43-C044H58-AFW	Panel & door assy, airbag, LHD	1	-
-	4G43-C043D48-BE	Panel assy, airbag, RHD	1	-
-	4G43-C043D48-AE	Panel assy, airbag, LHD	1	-
13	4G43-C04635-BDW	Panel assy, instrument, Upper, passenger, RHD	1	-
-	4G43-C04635-ADW	Panel assy, instrument, Upper, passenger, LHD	1	-
14	4G43-C043C54-DGW	Panel assy, passenger, RHD	1	-
-	4G43-C043C54-CGW	Panel assy, passenger, LHD	1	-

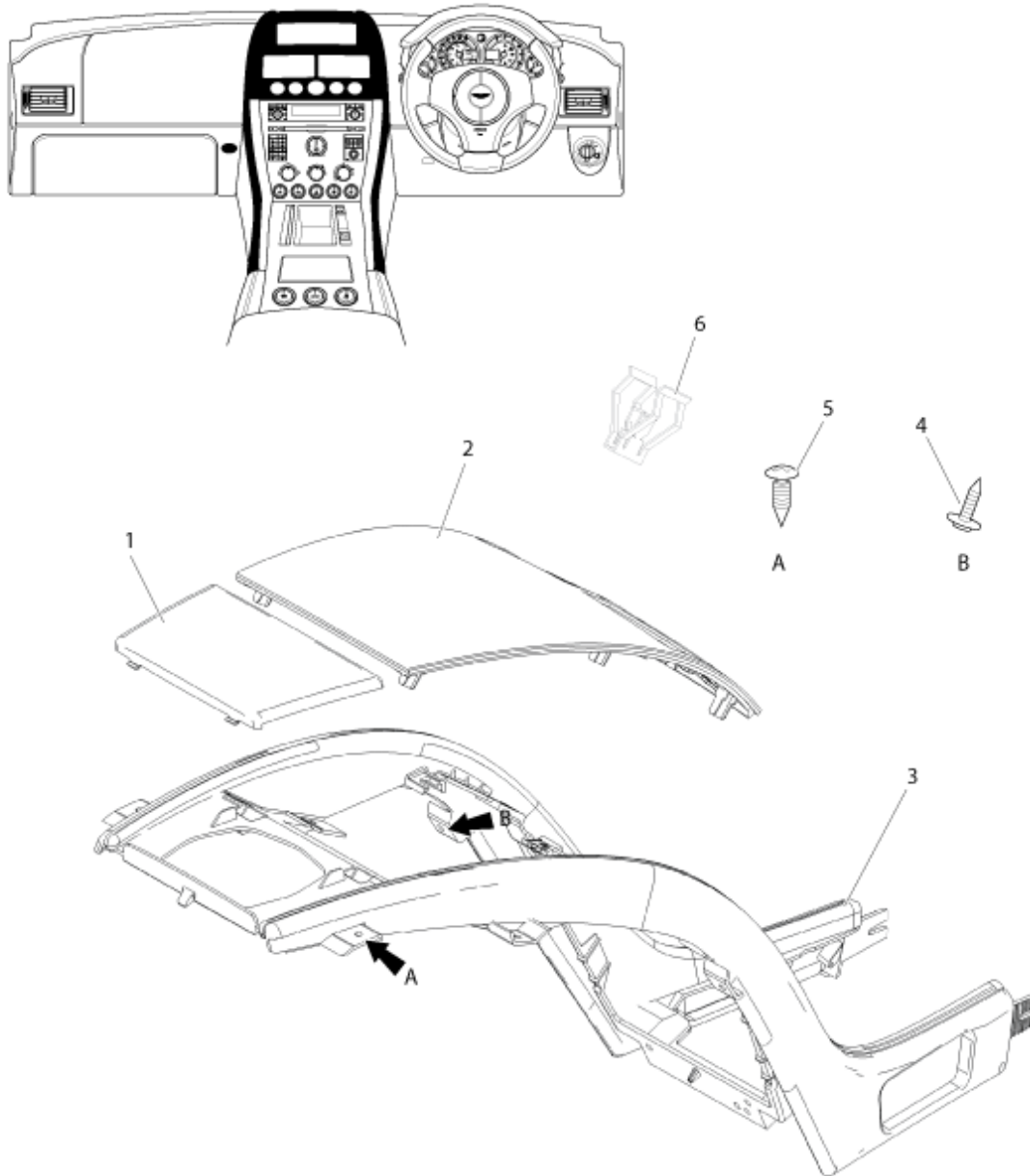
15	4G43-C043C54-BGW	Panel assy, driver, RHD	1	-
-	4G43-C043C54-AGW	Panel assy, driver, LHD	1	-
16	4G43-C04606-AD	Panel, bezel, cluster	1	-
17	4G43-C04634-DEW	Panel assy, instrument, Upper, driver, inner, RHD	1	-
-	4G43-C04634-BEW	Panel assy, instrument, Upper, driver, innr, LHD	1	-
18	4G43-C04634-CEW	Panel assy, instrument, Upper, driver, outer, RHD	1	-
-	4G43-C04634-AEW	Panel assy, instrument, Upper, driver, outer, LHD	1	-
19	702086	Screw	12	-
20	4G43-C06010-ADW	Complete assy, glovebox	1	-
21	4G43-C045C90-BC	Applique, instrument cluster bezel, RH	1	-
22	4G43-C045C90-AC	Applique, instrument cluster bezel, LH	1	-
23	4G43-10862-ADW	Hood assy, instrument cluster	1	-
-	701564	Clip, 8.5 x 16 x 1.7 trim	4	-
24	4G43-C044W04-AA	Latch housing, Upper	1	-
-	4G43-C044W04-BA	Latch housing, lower	1	-
-	4G43-37-10067	Actuator, glovebox	1	-
25	700250	Screw, M6	4	-
26	699854	Nut, M6	4	-
27	4G43-C06157-AD	Striker, glove compartment door	1	-
28	4G43-105104-AA	Screw, M4 x 8, caphead	3	07MY
29	4G43-60K51-BF	Protector, knee, RHD	1	07MY
-	4G43-60K51-BG	Protector, knee, RHD	1	08MY From (V) A09110
-	4G43-60K51-AF	Protector, knee, LHD	1	07MY
-	4G43-60K51-AG	Protector, knee, LHD	1	08MY From (V) A09110
30	1X4X-F06050-AB	Hinge, glovebox door	1	-
31	4G43-044K82-AB	Bracket, instrument Panel, energy absorbing	1	07MY
-	4G43-68-10703	Cable, fuel filler flap release	1	-
32	4G43-C042N54-BC	Cover, RH end	1	-
-	4G43-C042N54-AC	Cover, LH end	1	-
33	4G43-C042N54-FA	Cover, RH centre	1	-
34	4G43-C042N54-EA	Cover, RH centre	1	-

[Contents](#)

DB9 - BODY SYSTEM

DB9

01 BODY SYSTEM



July 2008
011201-B4
Instrument Panel-Centre Stack

Instrument Panel - Centre Stack



Item	Part Number	Description	Qty	Remarks
1	4G43-C046A26-ACW	Grille assy, radio speaker	1	-
2	4G43-047A04-ABW	Bezel assy, walnut, auto, Standard	1	Up to
-	4G43-045K18-GB	Bezel assy, walnut, auto, Standard	1	From DD100591
-	9G43-045K18-GA	Bezel assy, walnut, auto, Standard	1	09MY
-	4G43-047A04-DBW	Bezel assy, walnut, manual, Standard	1	Up to
-	4G43-045K18-KB	Bezel assy, walnut, manual, Standard	1	From
-	9G43-045K18-KA	Bezel assy, walnut, manual, Standard	1	09MY
-	4G43-047A04-BBW	Bezel assy, mahogany, auto, Standard	1	Up to
-	4G43-045K18-HB	Bezel assy, mahogany, auto, Standard	1	From
-	9G43-045K18-HA	Bezel assy, mahogany, auto, Standard	1	09MY
-	4G43-047A04-EBW	Bezel assy, mahogany, manual, Standard	1	Up to
-	4G43-045K18-LB	Bezel assy, mahogany, manual, Standard	1	From
-	9G43-045K18-LA	Bezel assy, mahogany, manual, Standard	1	09MY
-	4G43-047A04-CBW	Bezel assy, bamboo, auto, Standard	1	Up to
-	4G43-045K18-JB	Bezel assy, bamboo, auto, Standard	1	From
-	9G43-045K18-JA	Bezel assy, bamboo, auto, Standard	1	09MY
-	4G43-047A04-FBW	Bezel assy, bamboo, manual, Standard	1	Up to
-	4G43-045K18-MB	Bezel assy, bamboo, manual, Standard	1	From
-	9G43-045K18-MA	Bezel assy, bamboo, manual, Standard	1	09MY
-	4G43-047A04-NAW	Bezel assy, piano black, auto, Standard	1	Up to
-	4G43-045K18-QB	Bezel assy, piano black, auto, Standard	1	From

-	9G43-045K18-RA	Bezel assy, piano black, auto, Standard	1	09MY
-	4G43-047A04-OAW	Bezel assy, piano black, manual, Standard	1	Up to
-	4G43-045K18-RB	Bezel assy, piano black, manual, Standard	1	From
-	8D33-045K18-RA	Bezel assy, piano black, manual, Standard	1	09MY
-	6G33-047A04-ABW	Bezel assy, alloy, auto, Standard	1	07MY
-	9G43-047A05-CAW	Bezel assy, alloy, auto, Standard	1	09MY
-	6G33-047A04-BBW	Bezel assy, alloy, manual, Standard	1	07MY
-	9G43-047A05-DAW	Bezel assy, alloy, manual, Standard	1	09MY
-	9G43-045K18-VA	Bezel assy, tamo ash, auto, Standard	1	09MY
-	9G43-045K18-WA	Bezel assy, tamo ash, manual, Standard	1	09MY
-	4G43-045H43-ACW	Bezel assy, walnut, auto, plastic Sat Nav	1	Up to (V) B08133
-	4G43-045K18-AB	Bezel assy, walnut, auto, metal Sat Nav	1	From (V) B08134
-	9G43-045K18-AA	Bezel assy, walnut, auto, Sat Nav	1	09MY
-	4G43-045H43-DCW	Bezel assy, walnut, manual, plastic Sat Nav	1	Up to
-	4G43-045K18-DB	Bezel assy, walnut, manual, metal, Sat Nav	1	From
-	9G43-045K18-DA	Bezel assy, walnut, manual, Sat Nav	1	09MY
-	4G43-045H43-BCW	Bezel assy, mahogany, auto, plastic Sat Nav	1	Up to
-	4G43-045K18-BB	Bezel assy, mahogany, auto, metal Sat Nav	1	From
-	9G43-045K18-BA	Bezel assy, mahogany, auto, Sat Nav	1	09MY
-	4G43-045H43-ECW	Bezel assy, mahogany, manual, plastic Sat Nav	1	Up to (V) A08142
-	4G43-045K18-EB	Bezel assy, mahog, man, metal Sat Nav	1	From (V) A08143
-	9G43-045K18-EA	Bezel assy, mahogany, manual, Sat Nav	1	09MY

-	4G43-045H43-CCW	Bezel assy, bamboo, auto, plastic Sat Nav	1	Up to
-	4G43-045K18-CB	Bezel assy, bamboo, auto, metal Sat Nav	1	From
-	9G43-045K18-CA	Bezel assy, bamboo, auto, Sat Nav	1	09MY
-	4G43-045H43-FCW	Bezel assy, bamboo, manual, plastic Sat Nav	1	Up to
-	4G43-045K18-FB	Bezel assy, bamboo, manual, metal Sat Nav	1	From
-	9G43-045K18-FA	Bezel assy, bamboo, manual, Sat Nav	1	09MY
-	4G43-045H43-GBW	Bezel assy, piano black, auto, plastic Sat Nav	1	Up to (V) B08107
-	4G43-045K18-NB	Bezel assy, piano black, auto, metal Sat Nav	1	From (V) B08108
-	9G43-045K18-NA	Bezel assy, piano black, auto, Sat Nav	1	09MY
-	4G43-045H43-HBW	Bezel assy, piano black, manual, plastic Sat Nav	1	Up to (V) A08054
-	4G43-045K18-PB	Bezel assy, piano black, manual, metal Sat Nav	1	From (V) A08055
-	8D33-045K18-PA	Bezel assy, piano black, manual, Sat Nav	1	09MY
-	6G33-045H43-ABW	Bezel assy, alloy, auto, plastic Sat Nav	1	From DD101141
-	6G33-045H43-BBW	Bezel assy, alloy, manual, plastic Sat Nav	1	From
-	9G43-045K18-SA	Bezel assy, tamo ash, auto, Sat Nav	1	09MY
-	9G43-045K18-TA	Bezel assy, tamo ash, manual, Sat Nav	1	09MY
-	6G33-045G37-AAW	Door, Sat Nav, alloy Sat Nav	1	From
-	4G43-10E901-AB	Cover, RTI	1	For use with plastic sub surround
-	6G33-10E901-AB	Cover, RTI	1	For use with metal substrate/metal foil surround
3	4G43-C04350-AFW	Panel, instrument, centre	1	Standard
-	4G43-C04350-BCW	Panel, instrument, centre	1	Sat Nav
4	701441	Screw, 4.2 x 13 pan head	6	-
5	701157	Screw, 4.2 x 16, tap	14	-

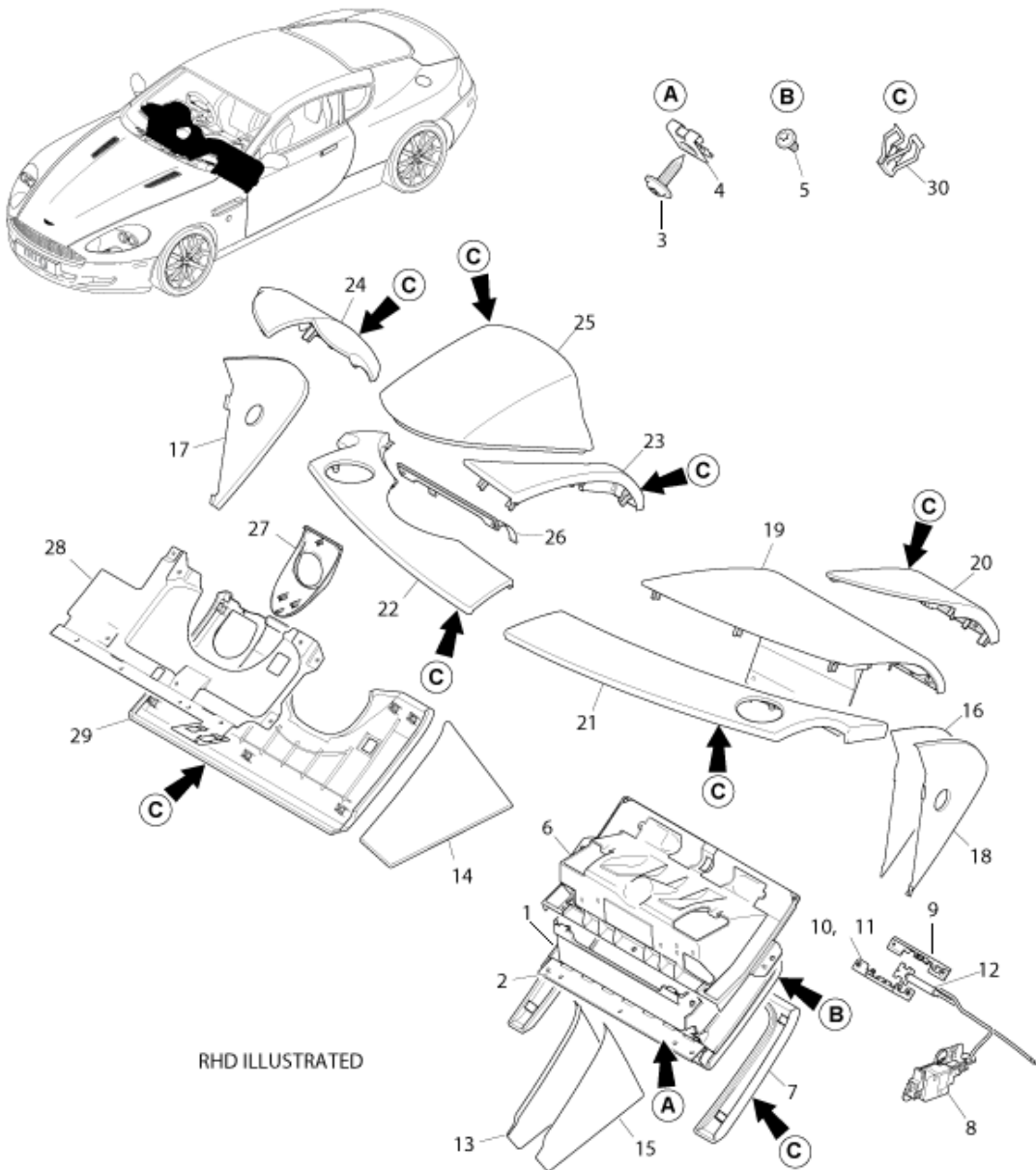
6	702520	Clip, 8.5 x 16 x 1.7	6	-
		Please note:- When ordering bezel assy for cars with		-
		wood door cappings, to ensure a match with door woods		-
		it is recommended that a complete interior kit is ordered.		-
		These contain two door woods and bezel assy.		-
		Part numbers listed below:-		-
-	4G43-87-10316	Interior kit, walnut, auto, with Sat Nav		-
-	4G43-87-10317	Interior kit, walnut, manual, with Sat Nav		-
-	4G43-87-10318	Interior kit, walnut, auto, non Sat Nav		-
-	4G43-87-10319	Interior kit, walnut, manual, non Sat Nav		-
-	4G43-87-10320	Interior kit, mahogany, auto, with Sat Nav		-
-	4G43-87-10321	Interior kit, mahogany, manual, with Sat Nav		-
-	4G43-87-10322	Interior kit, mahogany, auto, non Sat Nav		-
-	4G43-87-10323	Interior kit, mahogany, manual, non Sat Nav		-
-	4G43-87-10324	Interior kit, bamboo, auto, with Sat Nav		-
-	4G43-87-10325	Interior kit, bamboo, manual, with Sat Nav		-
-	4G43-87-10326	Interior kit, bamboo, auto, non Sat Nav		-
-	4G43-87-10327	Interior kit, bamboo, manual, non Sat Nav		-
-	4G43-87-10328	Interior kit, piano black, auto, with Sat Nav		-
-	4G43-87-10329	Interior kit, piano black, manual, with Sat Nav		-
-	4G43-87-10330	Interior kit, piano black, auto, non Sat Nav		-
-	4G43-87-10331	Interior kit, piano black, manual, non Sat Nav		-

[Contents](#)

DB9 - BODY SYSTEM

DB9

01 BODY SYSTEM



RHD ILLUSTRATED

August 2008
011201-B5
Instrument Panel - LHD, RHD, B&O 9.5MY

Instrument Panel - LHD, RHD, B&O 9.5MY

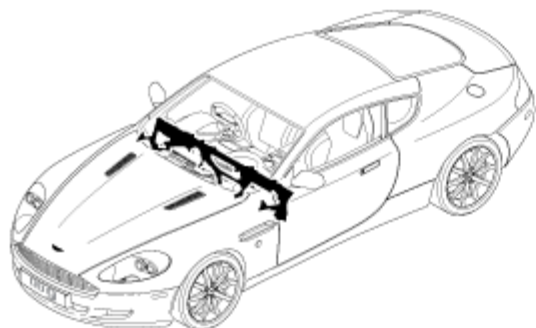
Item	Part Number	Description	Qty	Remarks
1	8D33-C06010-AAW	Door assy, glovebox	1	-
2	4G43-69-10058	Hinge, glove compartment door	1	-
3	701157	Screw, 4.2 x 16 large washer head	3	-
4	701448	Nut, U type	3	-

5	701445	Screw, M4 x 8	6	-
6	6G33-56240-AC	Sight shield, glovebox moulding	1	-
7	8D33-C043K93-BAW	Panel assy, passenger side, lower	1	RHD
-	8D33-C043K93-AAW	Panel assy, passenger side, lower	1	LHD
8	4G43-37-10067	Actuator assy, glovebox	1	-
9	4G43-C044W04-BA	Latch housing, lower	1	-
10	4G43-C044W04-AA	Latch housing, upper	1	-
11	701580	Rivet, blind	2	-
12	4G43-68-10703	Cable, fuel filler flap release	1	-
13	8D33-044H40-AAW	Cover, Instrument Panel, LH centre, leather	1	-
14	8D33-044H41-AAC	Cover, Instrument Panel, RH centre, leather	1	-
15	4G43-044B95-AA	Spacer, Cover	1	-
16	4G43-044B93-AA	Spacer, Cover	1	-
17	8D33-044B92-CAW	Cover, LH end, leather	1	-
18	8D33-044B92-AAW	Cover, Instrument Panel, RH end, leather	1	-
19	8D33-C044H58-BAW	Panel and door assy, airbag	1	RHD
-	8D33-C044H58-AAW	Panel and door assy, airbag	1	LHD
20	8D33-C04635-BAW	Panel assy, Instrument upper passenger side	1	RHD
-	8D33-C04635-AAW	Panel assy, Instrument upper passenger side	1	LHD
21	8D33-C043C54-DAW	Cover assy, Instrument Panel upper passenger side	1	RHD
-	8D33-C043C54-CAW	Cover assy, Instrument Panel upper passenger side	1	LHD
-	9D33-C043C54-DAW	Cover assy, Instrument Panel upper passenger side, B&O	1	RHD 9.5MY
-	9D33-C043C54-CAW	Cover assy, Instrument Panel upper passenger side, B&O	1	LHD 9.5MY
22	8D33-C043C54-BAW	Cover assy, Instrument Panel upper drivers side	1	RHD
-	8D33-C043C54-AAW	Cover assy, Instrument Panel upper drivers side	1	LHD
-	9D33-C043C54-BAW	Cover assy, Instrument Panel upper drivers side, B&O	1	RHD 9.5MY
-	9D33-C043C54-AAW	Cover assy, Instrument Panel upper drivers side, B&O	1	LHD 9.5MY
23	8D33-C04634-DAW	Panel assy, Instrument upper drivers side inner	1	RHD
-	8D33-C04634-BAW	Panel assy, Instrument upper drivers side inner	1	LHD
24	8D33-C04634-CAW	Panel assy, Instrument upper drivers side outer	1	RHD
-	8D33-C04634-AAW	Panel assy, Instrument upper drivers side outer	1	LHD
25	8D33-10862-AAW	Hood assy, instrument cluster	1	-
26	4G43-3T501-ACW	Cover, steering column, upper shroud	1	-
27	4G43-11A665-AC	Bezel, light switch	1	-

28	4G43-60K51-BG	Protector, knee	1	RHD
-	4G43-60K51-AG	Protector, knee	1	LHD
29	8D33-C04325-BAW	Panel assy, Instrument lower drivers side	1	RHD
-	8D33-C04325-AAW	Panel assy, Instrument lower drivers side	1	LHD
30	702520	Clip, trim push in	37	-

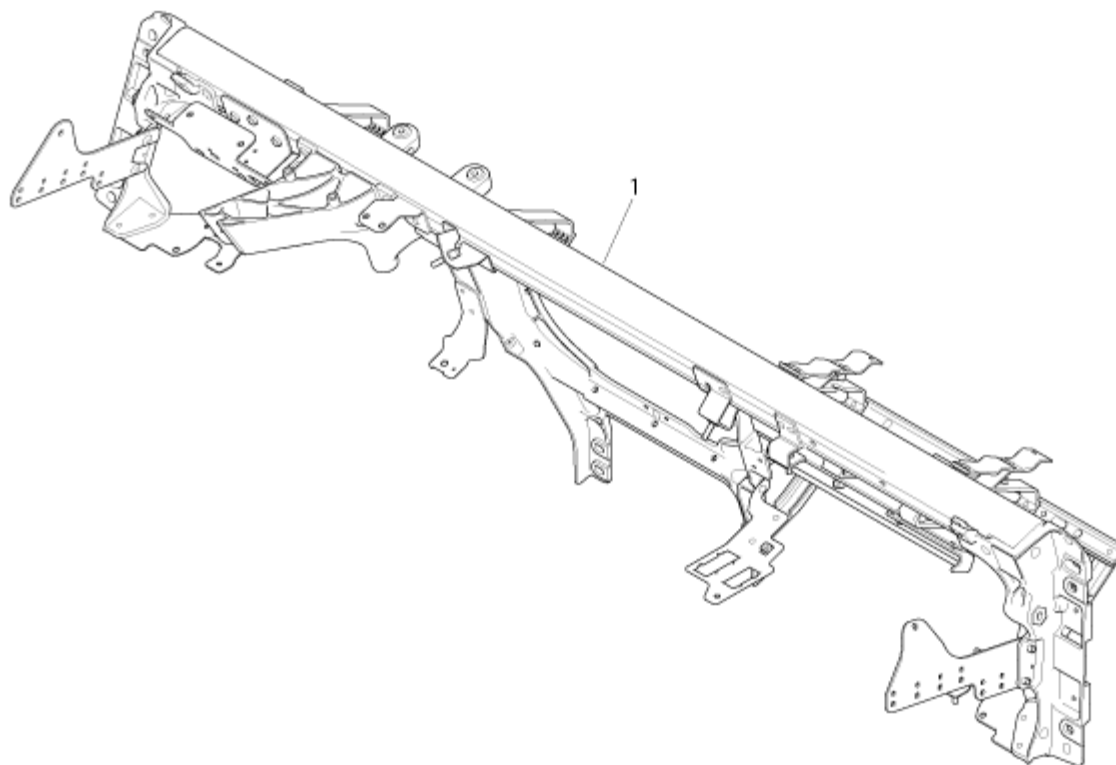
[Contents](#)

DB9 - BODY SYSTEM



DB9

01 BODY SYSTEM



RHD ILLUSTRATED

August 2008

011201-B6

Instrument Panel -X- Car Beam Assembly - LHD, RHD

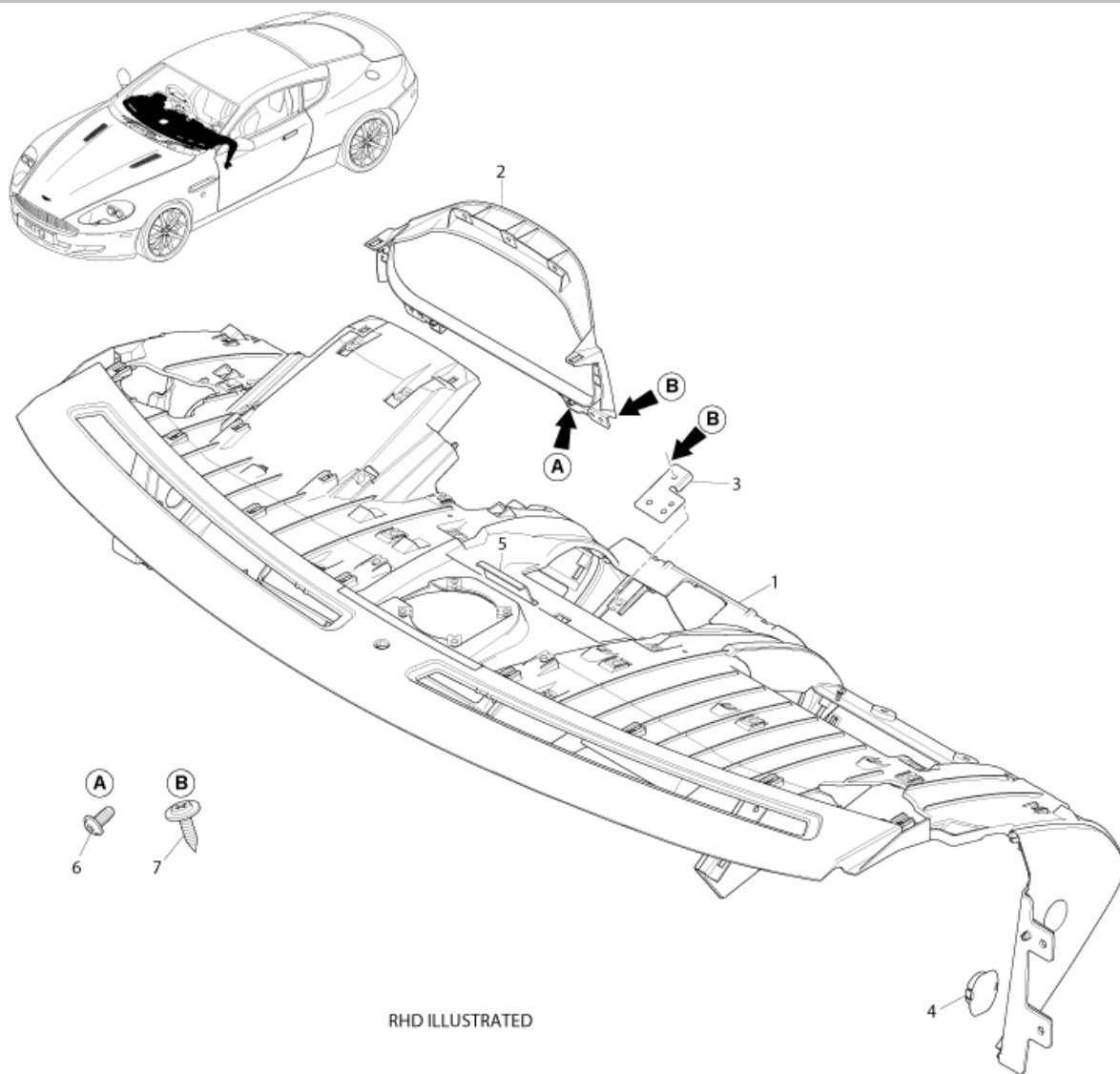
Instrument Panel - X - Car Beam Assembly- LHD, RHD

Item	Part Number	Description	Qty	Remarks
1	6G33-04545-BC	Reinforcement assy, cross car beam, RHD	1	07MY

-	8G43-044B52-AA	Reinforcement assy, cross car beam, RHD	1	08MY From (V) A09110
-	8G43-044B52-AD	Reinforcement assy, cross car beam, RHD	1	09MY From (V) D12067
-	6G33-04545-AC	Reinforcement assy, cross car beam, LHD	1	07MY
-	8G43-044B51-AA	Reinforcement assy, cross car beam, LHD	1	08MY From (V) A09110
-	8G43-044B51-AD	Reinforcement assy, cross car beam, LHD	1	09MY From (V) D12067

DB9

01 BODY SYSTEM



RHD ILLUSTRATED

August 2008

011201-B7

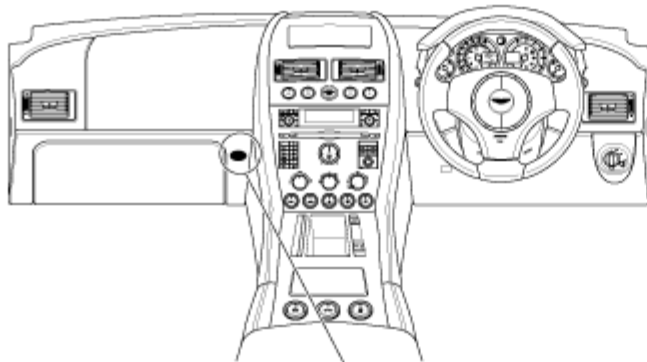
Instrument Panel Substructure - LHD, RHD

Instrument Panel Substructure - LHD, RHD

Item	Part Number	Description	Qty	Remarks
1	4G43-C04304-BEW	Panel assy, instrument, RHD	1	07MY
-	4G43-C04304-BFW	Panel assy, instrument, RHD	1	08MY from (V) A09110
-	4G43-C04304-AEW	Panel assy, instrument, LHD	1	07MY
-	4G43-C04304-AFW	Panel assy, instrument, LHD	1	08MY from (V) A09110
2	4G43-C04606-AD	Bezel, cluster opening,instrument panel	1	-
3	6G33-19A392-BB	Bracket, phone inline	1	9.5MY
4	6G33-41883-AA	Blanking plate	1	9.5MY
5	77-84981	Foam pad	1	-
6	701445	Screw, M4 x 8	2	-
7	701157	Screw, 4.2 x 16	40	-

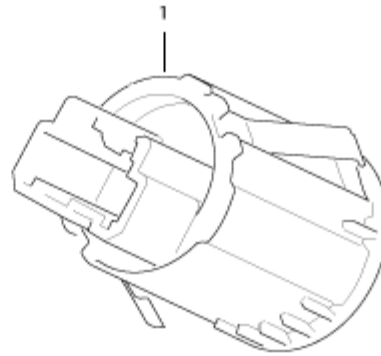
[Contents](#)

DB9 - BODY SYSTEM



DB9

01 BODY SYSTEM



July 2007

011201-D1

Glove Box Open Switch, RHD

Glove Box Open Switch, RHD

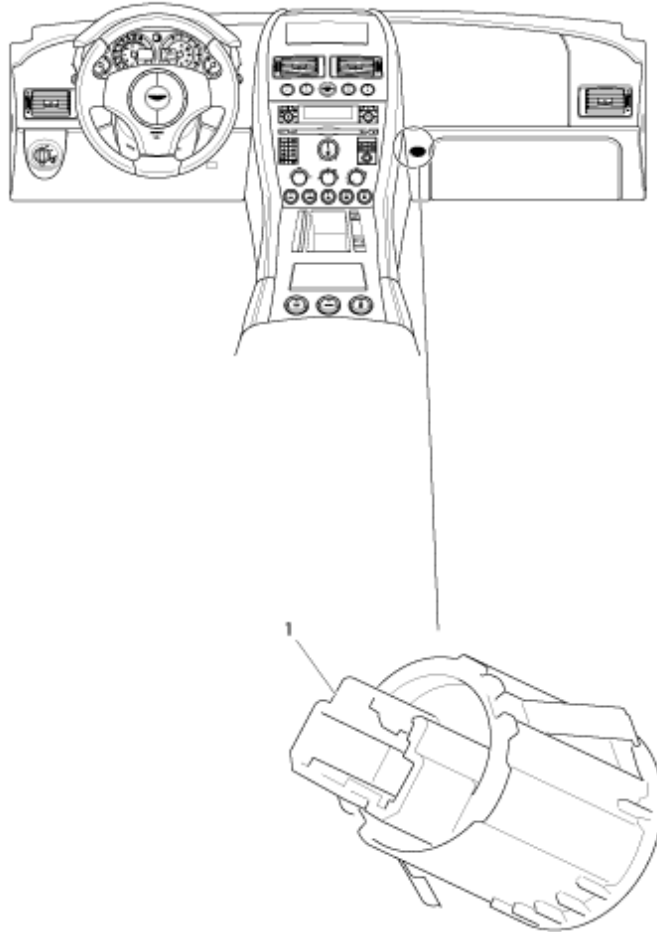
Item	Part Number	Description	Qty	Remarks
1	4G43-062A00-AF	Switch, glove box open	1	06MY
-	6G33-062A00-AA	Switch, glove box open	1	-

[Contents](#)

DB9 - BODY SYSTEM

DB9

01 BODY SYSTEM



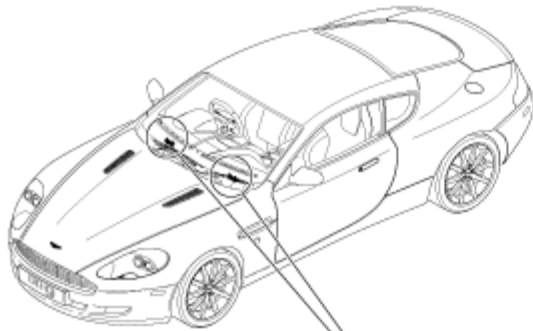
July 2007
011201-D2
Glove Box Open Switch, LHD

Glove Box Open Switch, LHD

Item	Part Number	Description	Qty	Remarks
1	4G43-062A00-AF	Switch, glove box open	1	06MY
-	6G33-062A00-AA	Switch, glove box open	1	-

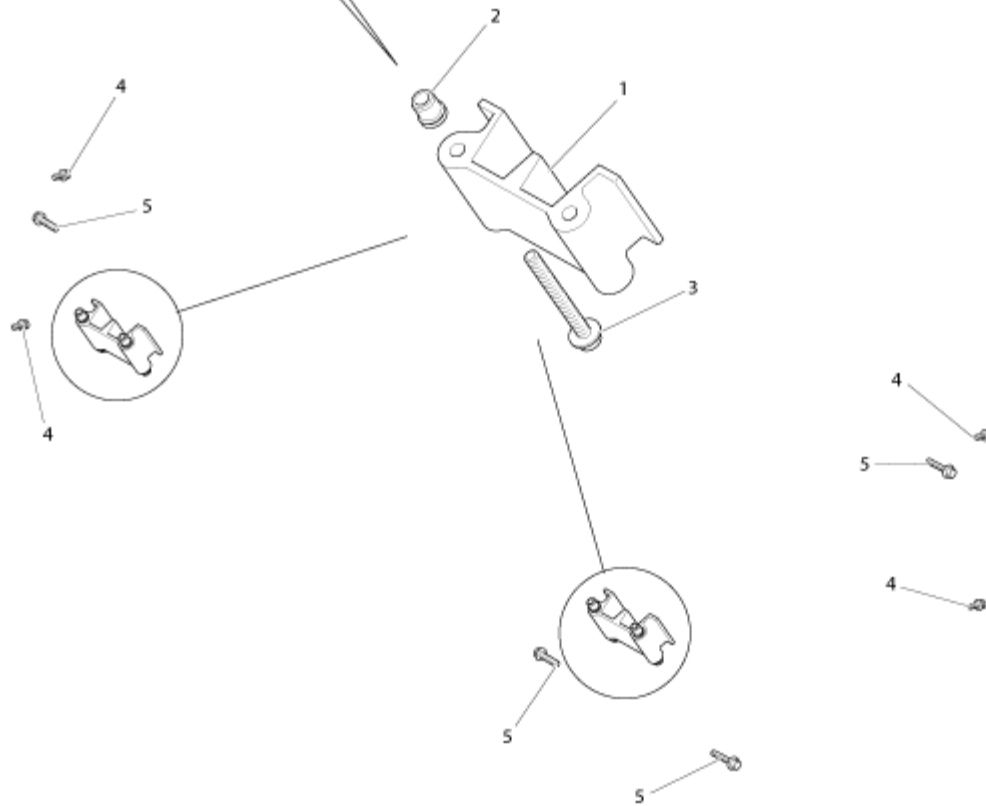
[Contents](#)

DB9 - BODY SYSTEM



DB9

01 BODY SYSTEM



June 2005
011201-E1
CCB to BIW Mounting Brackets

CCB to BIW Mounting Brackets

Item	Part Number	Description	Qty	Remarks
1	4G43-044C32-AA	Bracket assy, panel to cowl top	2	-
2	AKS961042	Nutsert, M6	4	-
3	701436	Bolt, M6 x 55	4	-
4	701612	Bolt, flg, M8 x 16	4	-

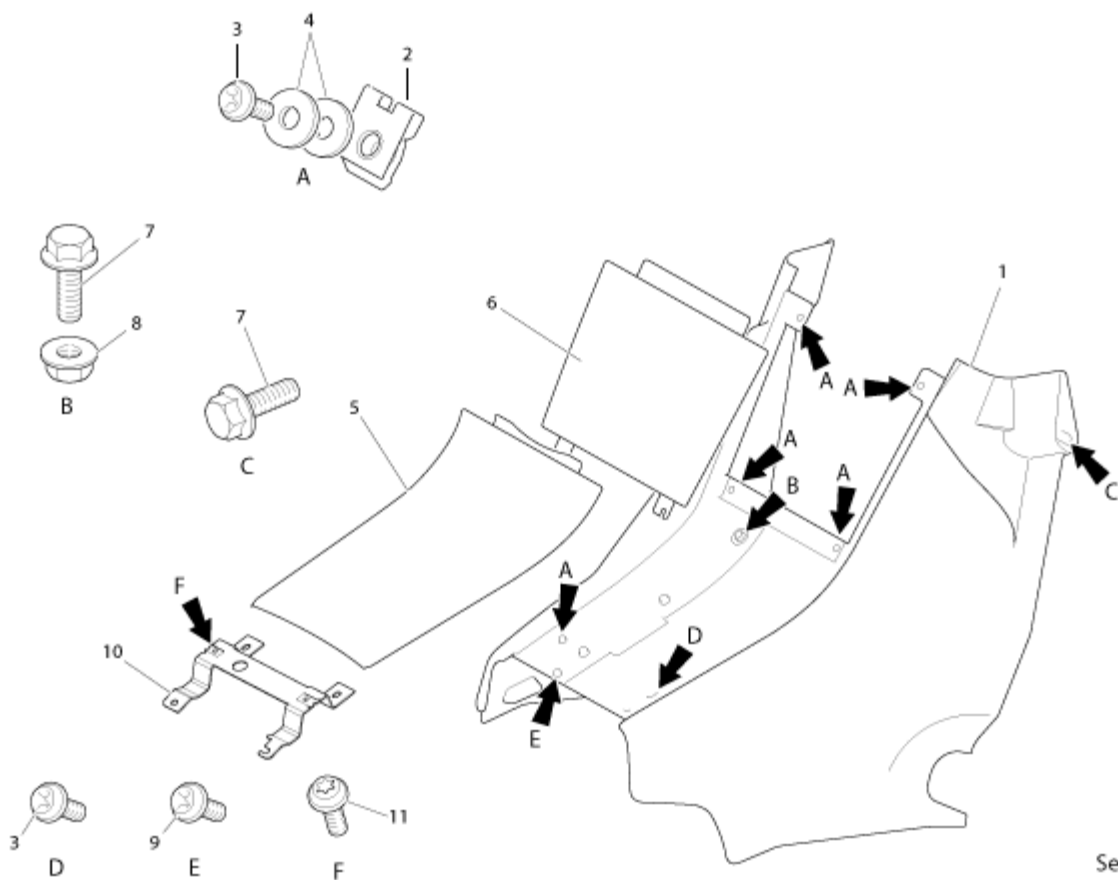
5	700229	Bolt M8	4	-
---	------------------------	---------	---	---

[Contents](#)

DB9 - BODY SYSTEM

DB9

01 BODY SYSTEM



September 2008
011202-B1
Console Panel Rear

Console Panel Rear

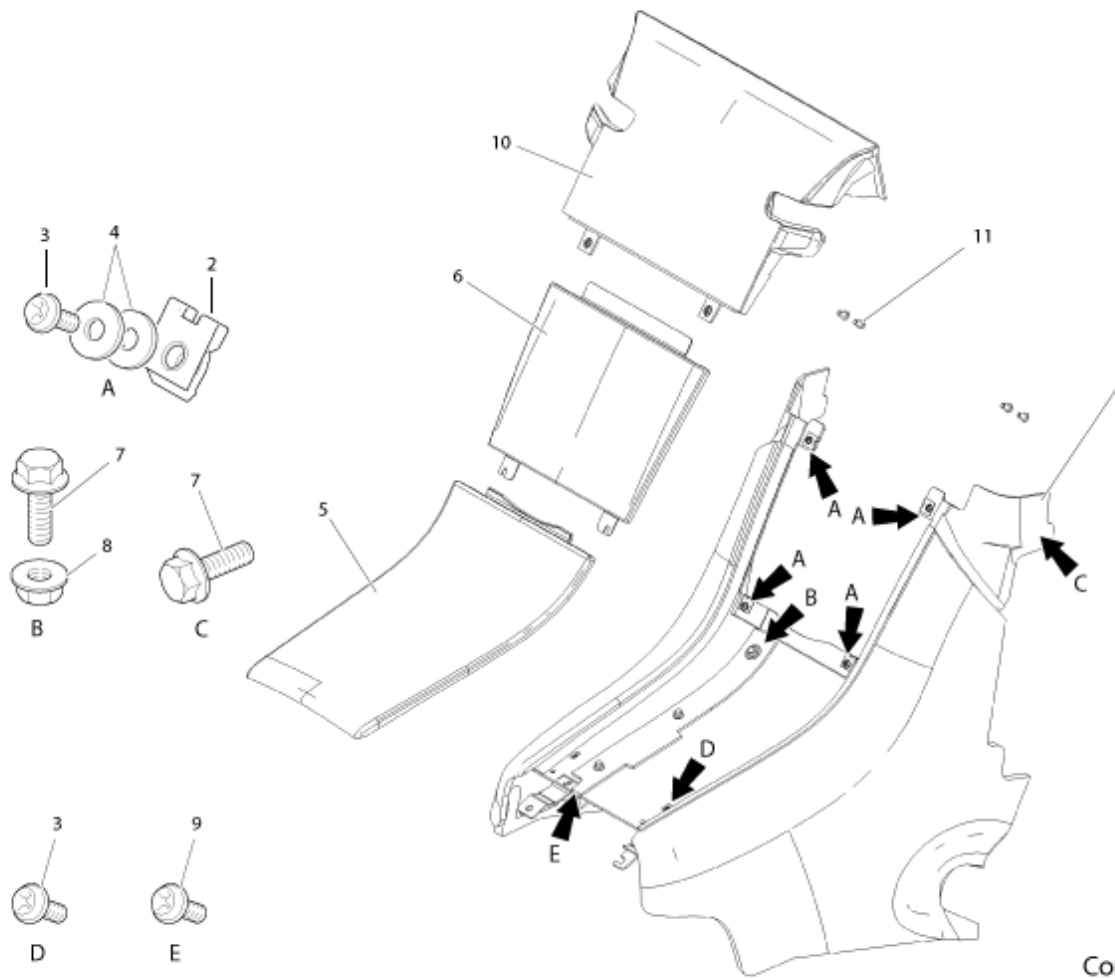
Item	Part Number	Description	Qty	Remarks
1	4G43-045A12-ABW	Panel assy, console, rear	1	06MY
	7G43-045A12-			

-	ACW	Panel assy, console, rear	1	-
-	7G43-045A12-ADW	Panel assy, console, rear, B & O	1	9.5MY
2	701448	Nut	4	-
3	701157	Screw, self tap	6	-
4		Washer, plastic	8	Fitted on line, no number
5	4G43-045E24-ADW	Panel assy, console finisher, rear	1	-
6	4G43-67482-ABW	Grille assy, speaker, console, rear	1	-
-	9G43-047A44-ABW	Panel assy, console finisher, rear, B & O	1	9.5MY
7	701437	Screw, M5 x 16	3	-
8	699847	Nut, M5	3	-
9	701550	Screw, M4 x 10, torx	1	-
10	4G43-672A42-AA	Bracket assy	1	-
11		Screw, 4.2 x 9	2	-

DB9 - BODY SYSTEM



DB9
01 BODY SYSTEM



September 2007
011202-B2
Console Panel Rear- Volante

Console Panel Rear - Volante

Item	Part Number	Description	Qty	Remarks
1	4G43-L045A12-ACW	Panel assy, console, rear	1	-
2	701448	Nut	4	-

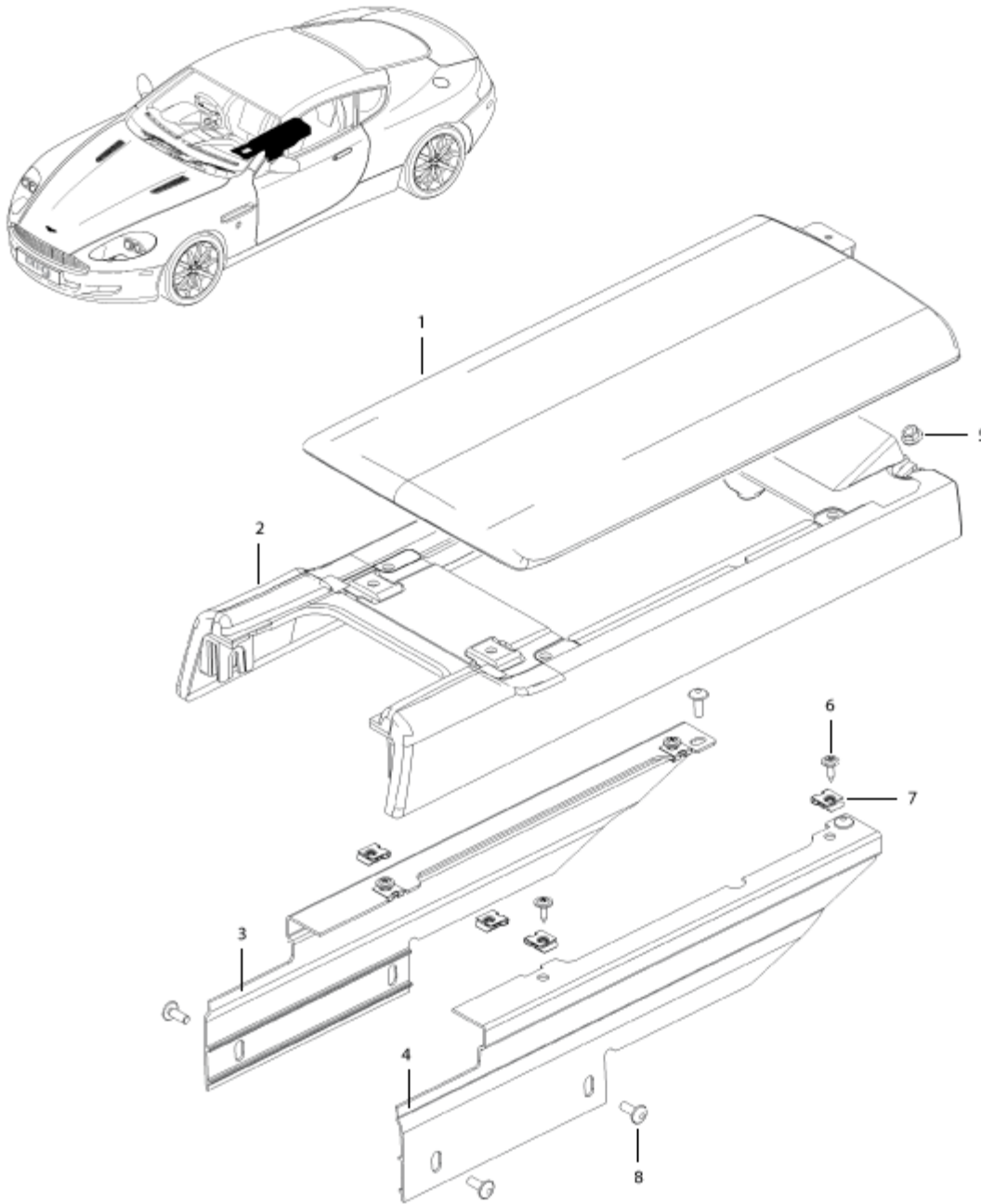
3	701157	Screw, self tap	6	-
4		Washer, plastic	8	Fitted on line, no number
5	4G43-045E24-AAW	Panel assy, console finisher, rear	1	-
6	4G43-67482-ABW	Grille assy, speaker, console, rear	1	-
7	701437	Screw, M5 x 16	3	-
8	699847	Nut, M5	3	-
9	701550	Screw, M4 x 10, torx	1	-
10	4G43-L047A44-AGW	Panel assy, Console top, rear	1	-
11	700259	Screw, M5 x 10, pan head	4	-

[Contents](#)

DB9 - BODY SYSTEM

DB9

01 BODY SYSTEM



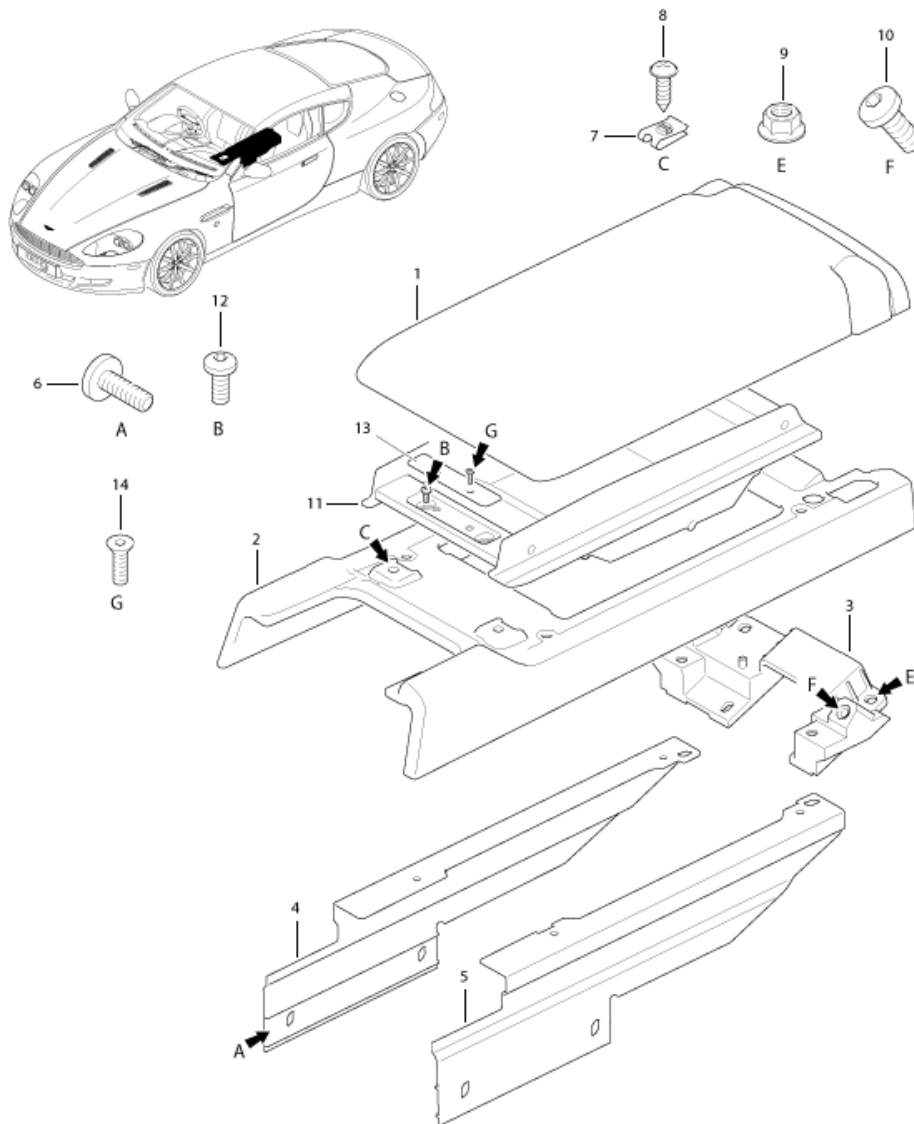
October 2006
011202-B3
Console Panel

Console Panel

Item	Part Number	Description	Qty	Remarks
1	4G43-045C76-ABW	Pad assy, armrest, non cupholder	1	-
-	4G43-045C76-BBW	Pad assy, armrest, with cupholder	1	6.5MY onwards

2	4G43-67446-ACW	Panel assy	1	-
3	4G43-043B04-AB	Reinforcement assy	1	-
4	4G43-043B05-AB	Reinforcement assy	1	-
5	701170	Nut, flg, M6	3	-
6	701157	Screw, 4.2 x 16	4	-
7	701448	Nut, U type	4	-
8	701454	Screw, M6 x 16	6	-

DB9
01 BODY SYSTEM



April 2008
011202-B4
Console Panel with Armrest Stowage, Manual

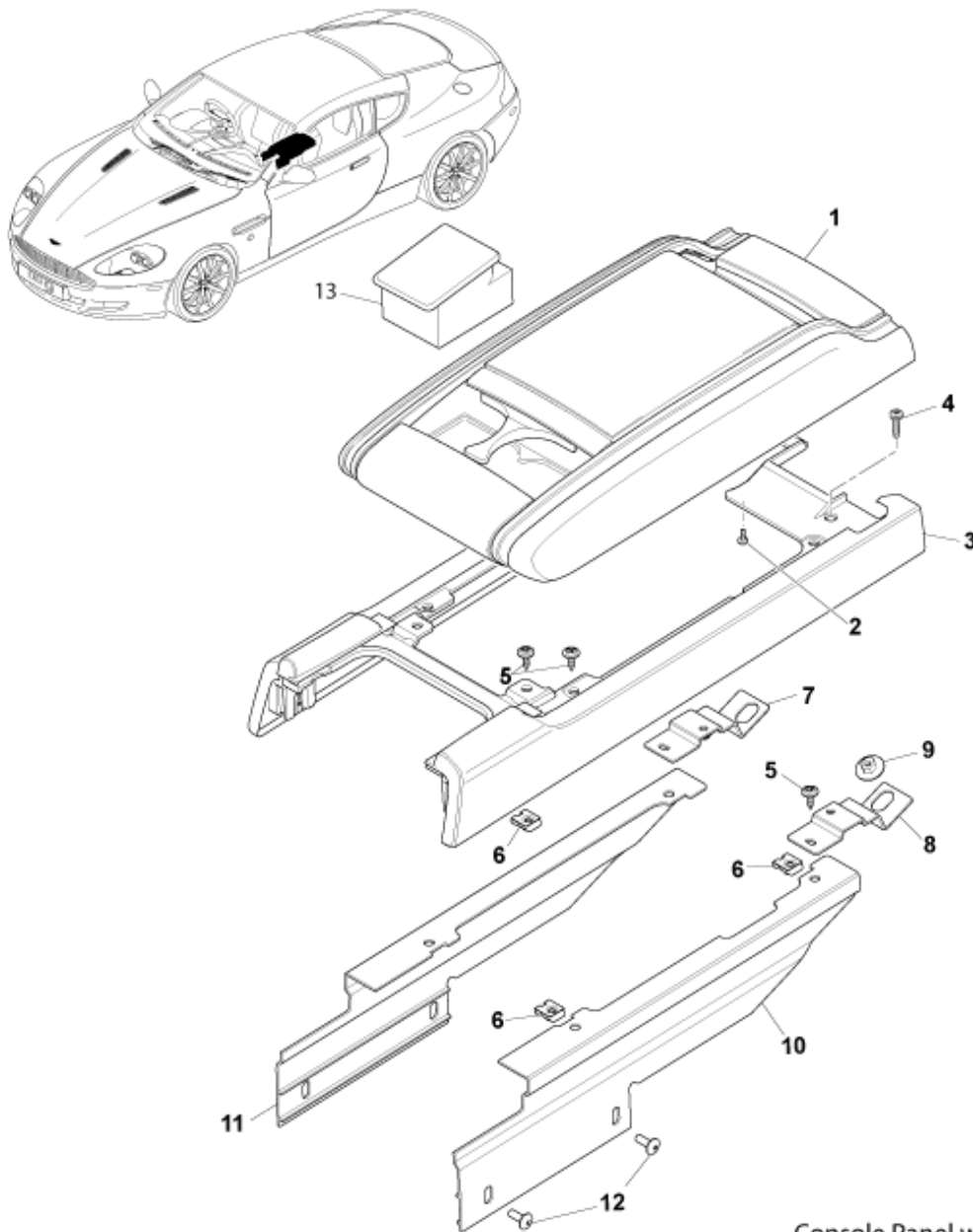
Console Panel with Armrest Stowage, Manual

Item	Part Number	Description	Qty	Remarks
1	4G43-045C76-ABW	Pad assy, armrest, non cupholder	1	-
-	4G43-045C76-BBW	Pad assy, armrest, with cupholder	1	6.5MY onwards
2	4G43-67446-ACW	Panel assy	1	-
3	4G43-045W34-AB	Bracket assy, mounting, rear	1	-
4	4G43-043B04-AB	Reinforcement assy	1	-
5	4G43-043B05-AB	Reinforcement assy	1	-
6	701454	Screw, M6 x 16	6	-
7	701448	Nut, U type	2	-
8	701157	Screw, 4.2 x 16	8	-
9	701170	Nut, M6	3	-

10	700102	Screw, M8, pan head	2	-
11	4G43-115A00-AA	Stowage compartment	1	-
12	701437	Screw, M5 x 16	2	-
13	4G43-061A36-AAW	Plate	1	-
14	700963	Screw, M4 x 8	2	-

DB9

01 BODY SYSTEM



March 2008

011202-B5

Console Panel with Armrest Stowage, +08my

Console Panel with Armrest stowage, 08MY+

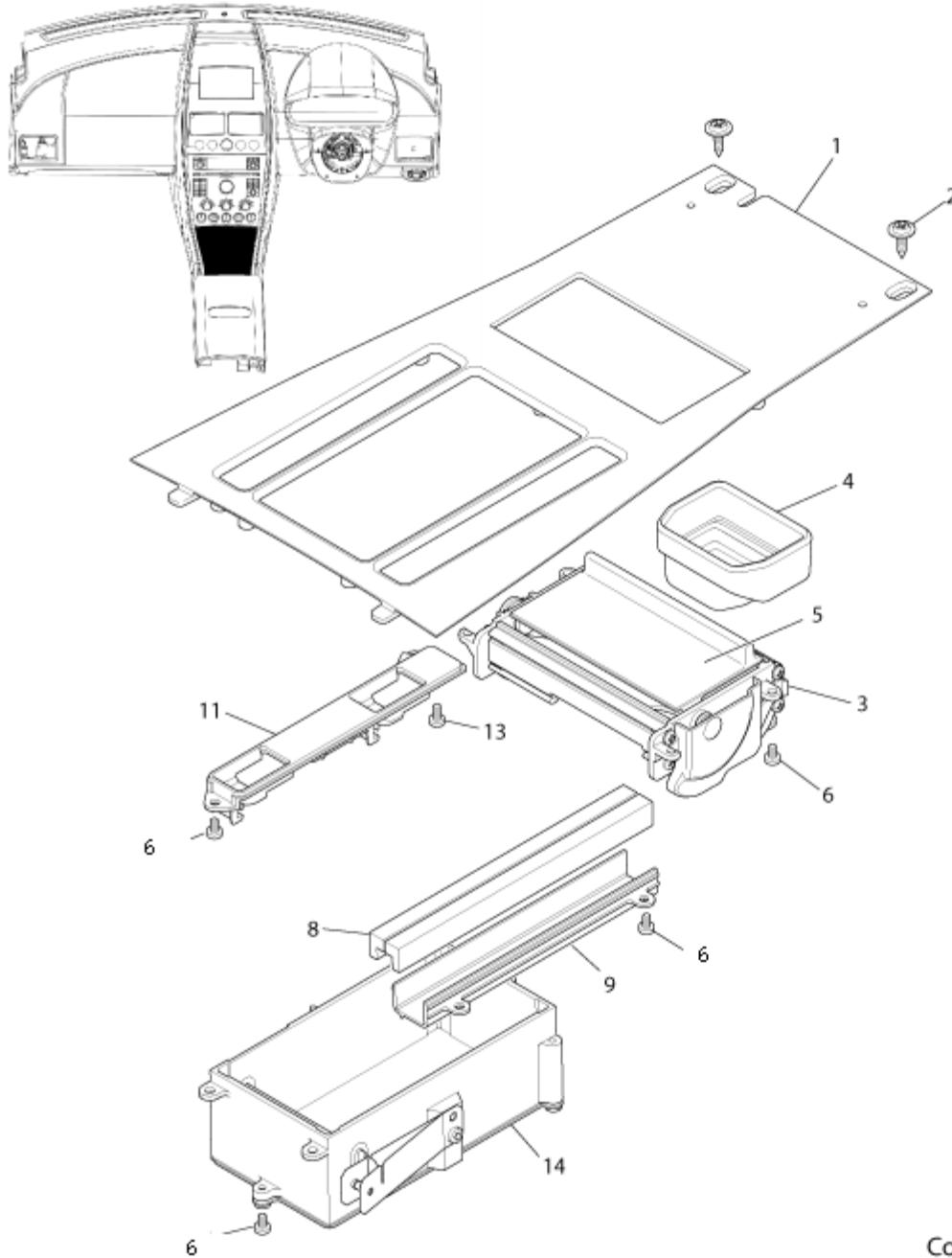
Item	Part Number	Description	Qty	Remarks
1	8G43-045C76-AAW	Pad assy, armrest, with cupholder	1	-
-	9G43-045C76-ABW	Pad assy, armrest, with cupholder	1	09MY
2	703178	Screw, M04 x 8	4	-

3	8G43-67446-AAW	Panel assy	1	-
4	701556	Screw, M05 x 16	2	-
5	701157	Screw, 4.2 x 16	6	-
6	701448	Nut, U type	6	-
7	8G43-13522-AA	Bracket	1	-
8	8G43-13523-AA	Bracket	1	-
9	701194	Nut & washer M6	2	-
10	4G43-043B05-AB	Reinforcement assy	1	-
11	4G43-043B04-AB	Reinforcement assy	1	-
12	703149	Screw, M06 x 16	4	-
13	9G43-044J16-AA	Support, elbow	1	09MY
-	8G43-23697-AA	Magnet and Bumpstop	1	-
-	8G43-040K60-AA	Mat phone shelf	1	-

DB9 - BODY SYSTEM

DB9

01 BODY SYSTEM



July 2008

011202-B6

Console Panel, Ashtray- AUTO, 09MY

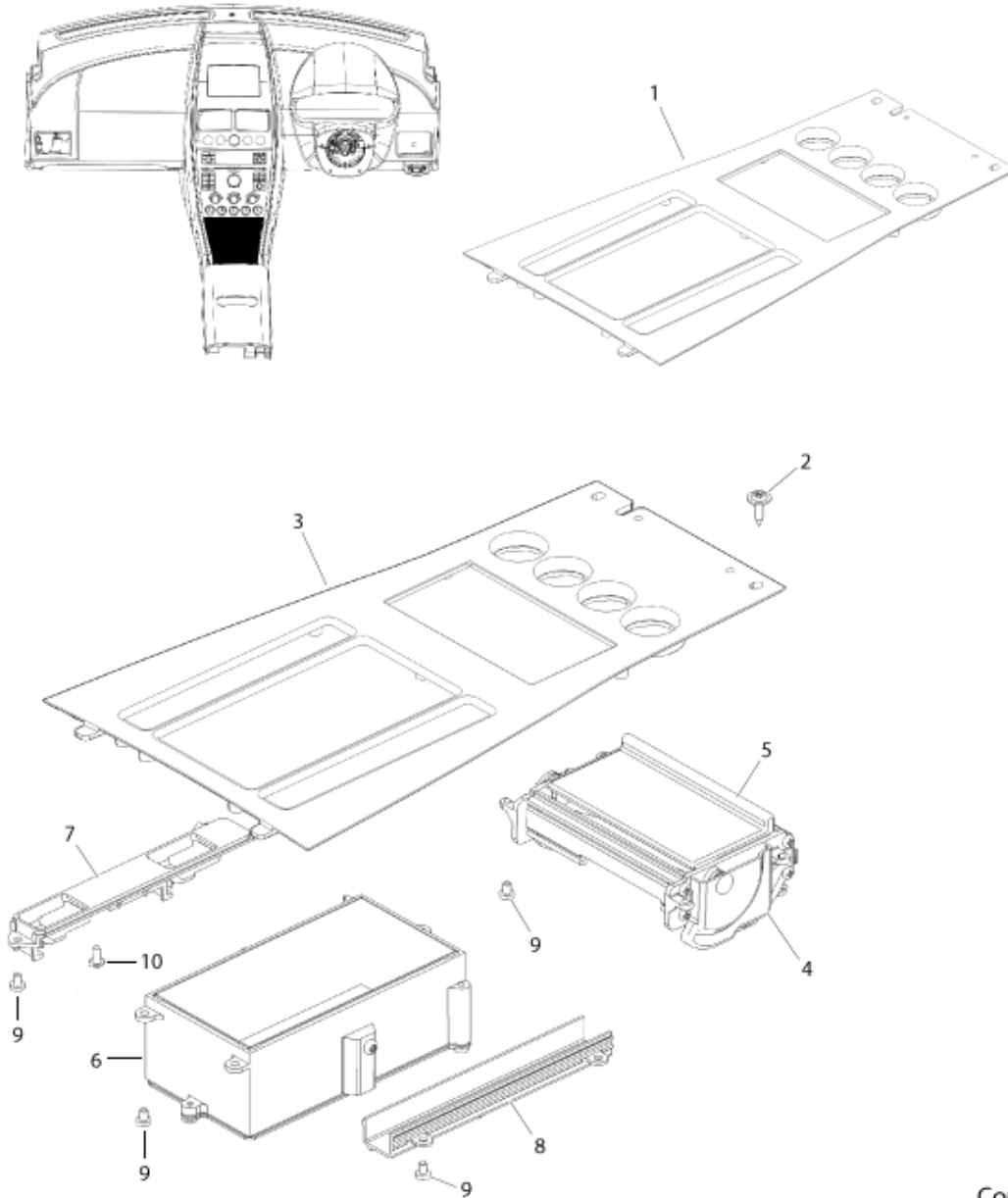
Console Panel, Ashtray - AUTO, 09MY

Item	Part Number	Description	Qty	Remarks
1	9G43-045A67-BA	Panel, centre console	1	-
2	701157-PK	Screw, st4 x 16	2	-

3	4G43-80-10993	Ashtray assy, Auto	1	Iridium Silver
-	4G43-80-10961	Utility tray assy	1	Iridium Silver
4	6G33-048A64-AA	Box, ash recepticle	1	-
5	9G43-043K78-AA	Door, utility tray	1	-
6	701429-PK	Screw, M4 x 6	4	-
8	4G43-8678-AA	Foam, coin holder	2	-
9	4G43-045J82-AA	Bracket, coin holder	1	-
11	4G43-13D720-AA	Bracket, switch console panel	1	-
13	703170-PK	Screw, M4 x 8	2	-
14	4G43-044J84-AA	Container assy	1	-

DB9 - BODY SYSTEM

DB9
01 BODY SYSTEM



April 2008
011202-B7
Console Panel, High, Ashtray- AUTO

Console Panel, High, Ashtray - AUTO

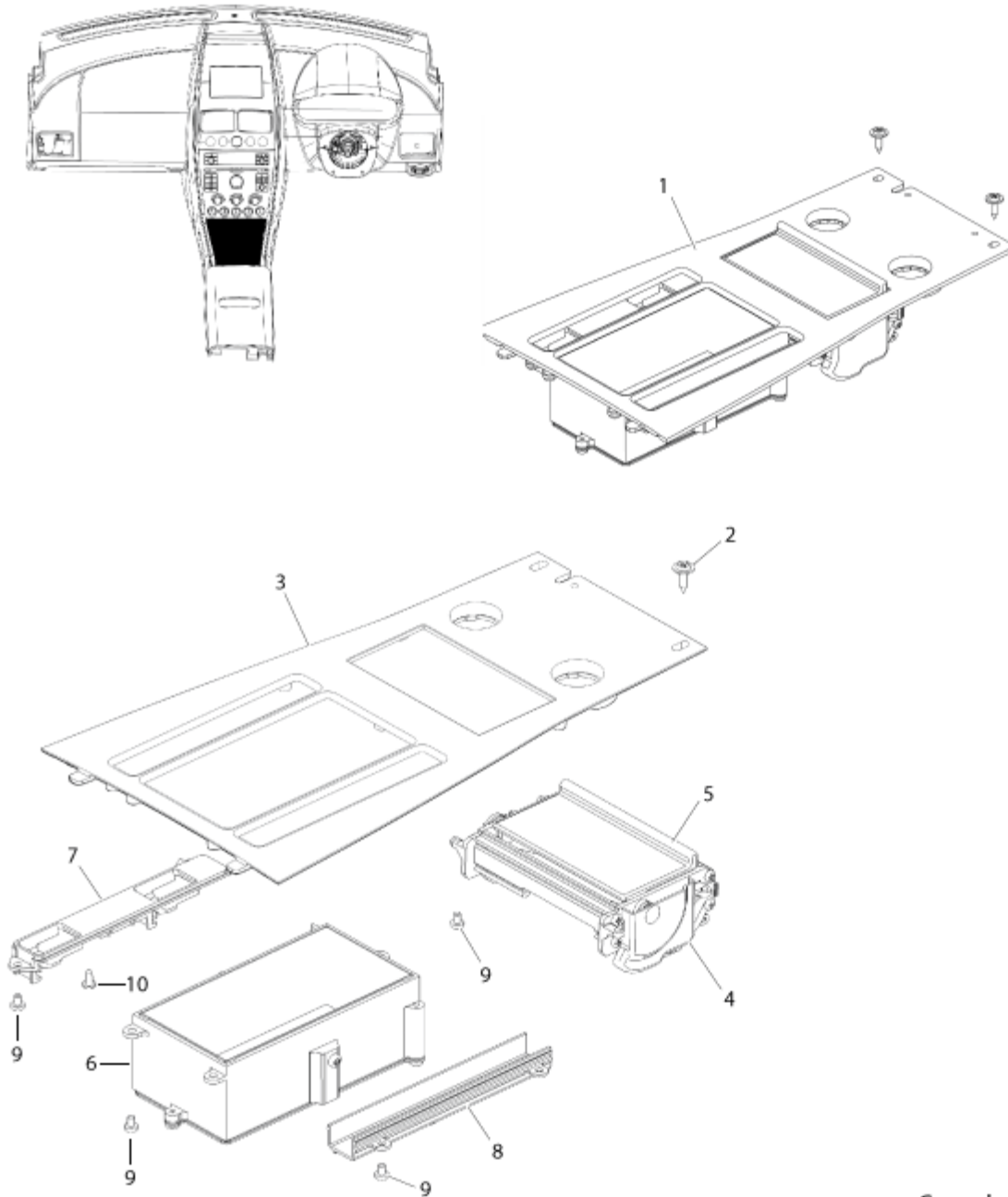
Item	Part Number	Description	Qty	Remarks
1		Panel assy, centre console	1	-
2	701157	Screw, st4 x 16	2	-
3	4G43-045A66-AF	Panel, console, high, AUTO	1	Platinum
-	4G43-045A66-HB	Panel, console, high, AUTO	1	Anthracite
-	4G43-045A67-AB	Panel, console, high, bluetooth, AUTO	1	Platinum

-	4G43-045A67-HB	Panel, console, high, bluetooth, AUTO	1	Anthracite
4	4G43-80-10594	Ashtray assy, AUTO	1	Platinum
-	4G43-80-10596	Ashtray assy, AUTO	1	Anthracite
-	4G43-80-10833	Ashtray assy, AUTO	1	Graphite
5	4G43-043K78-AC	Door, Ashtray	1	Platinum
-	6G33-043K78-AA	Door, Ashtray	1	Anthracite
-	6G33-043K78-BA	Door, Ashtray	1	Graphite
6	6G33-044J84-ABW	Container assy, centre console	1	-
7	4G43-13D720-AA	Bracket, switch console panel	1	-
8	4G43-045J82-AA	Bracket, coin holder	1	-
9	701429	Screw, M4 x 6 pan head lobe drive	15	-
10	701445	Screw, M4 x 8 pan collar	2	-

DB9 - BODY SYSTEM

DB9

01 BODY SYSTEM



April 2008
011202-B8
Console Panel, Mid, Ashtray- AUTO

Console Panel, Mid, Ashtray - AUTO

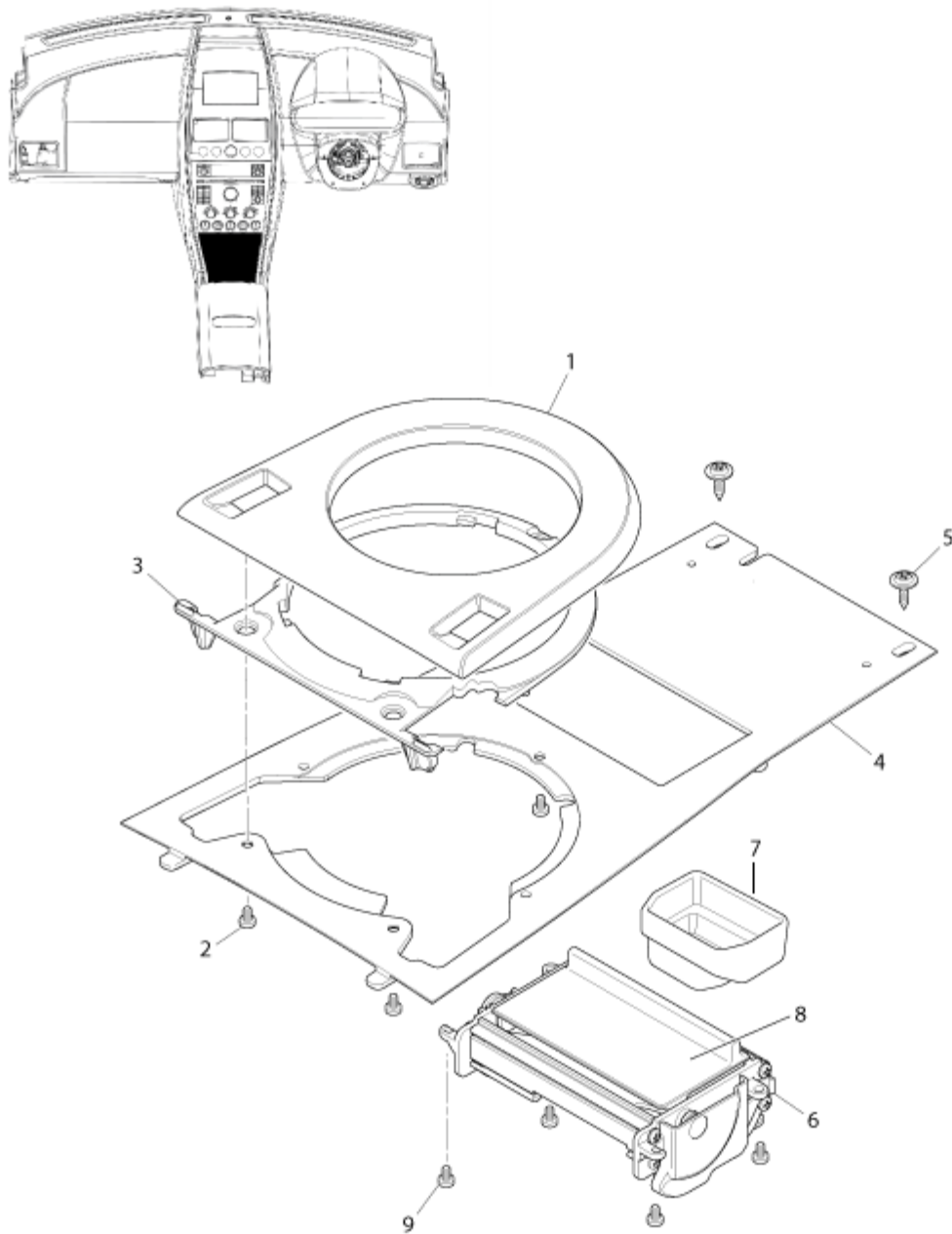
Item	Part Number	Description	Qty	Remarks
1		Panel Assy, centre console	1	-
2	701157	Screw, st 4 x 16	2	-

3	6G33-045A66-HB	Panel, console, mid, AUTO	1	Platinum
-	6G33-045A66-BB	Panel, console, mid, AUTO	1	Anthracite
-	6G33-045A67-HB	Panel, console, mid, bluetooth, AUTO	1	Platinum
-	6G33-045A67-BB	Panel, console, mid, bluetooth, AUTO	1	Anthracite
4	4G43-80-10594	Ashtray assy, AUTO	1	Platinum
-	4G43-80-10596	Ashtray assy, AUTO	1	Anthracite
-	4G43-80-10833	Ashtray assy, AUTO	1	Graphite
5	4G43-043K78-AC	Door, ashtray	1	Platinum
-	6G33-043K78-AA	Door, ashtray	1	Anthracite
-	6G33-043K78-BA	Door, ashtray	1	Graphite
6	6G33-044J84-ABW	Container assy, centre console	1	-
7	4G43-13D720-AA	Bracket, switch console panel	1	-
8	4G43-045J82-AA	Bracket, coin holder	1	-
9	701429	Screw, M4 x 6 Pan Head lobe drive	15	-
10	701445	Screw, M4 x 8 Pan Collar	2	-

[Contents](#)

DB9 - BODY SYSTEM

DB9
01 BODY SYSTEM



July 2008
011202-B9
Console Panel, - MANUAL, 09MY

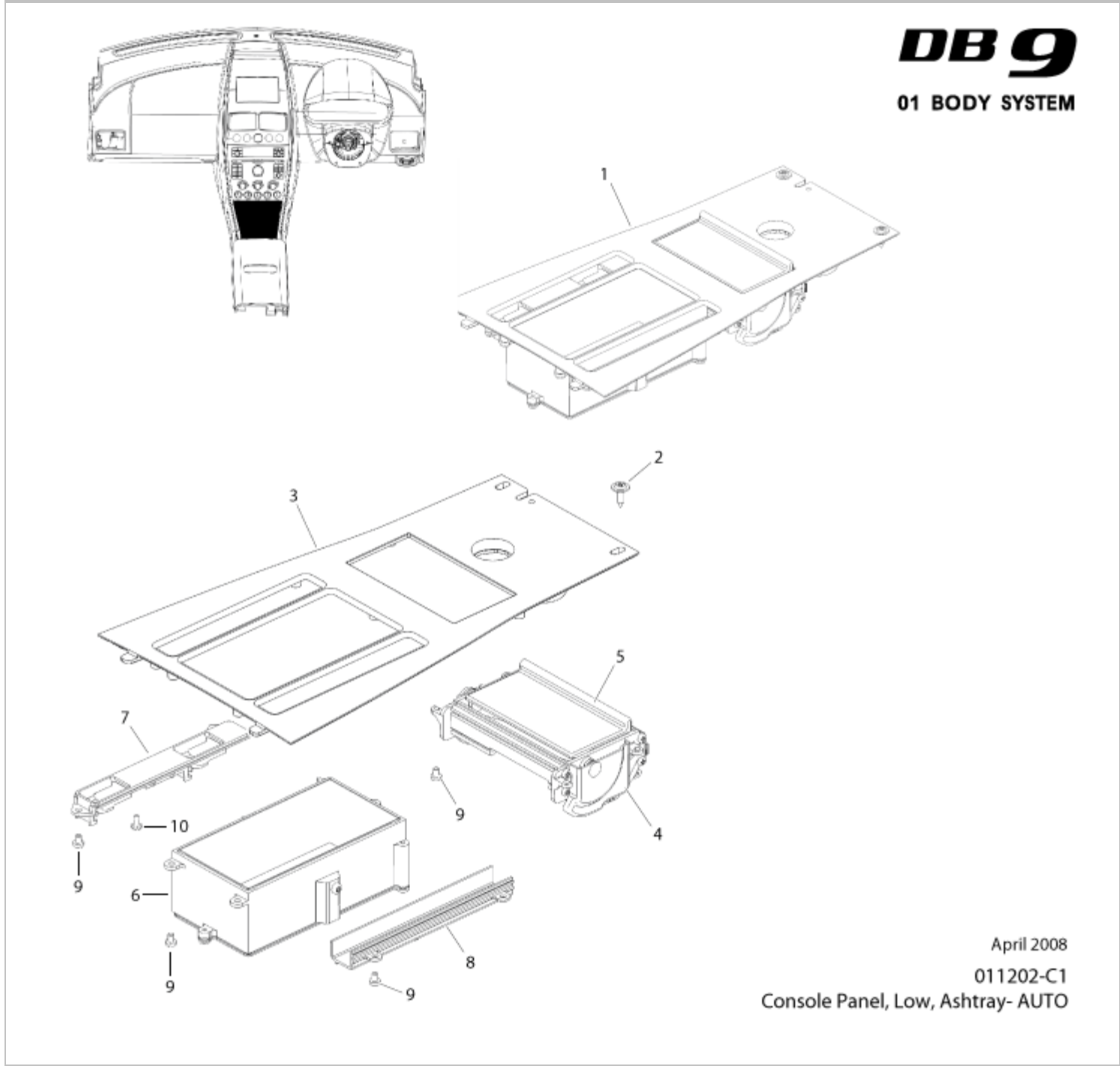
Console Panel - MANUAL, 09MY

Item	Part Number	Description	Qty	Remarks
1	8D33-7Z289-AE	Cover, transmission gear shift lever	1	-
2	703176-PK	Screw, M4 x 6 pan head	3	-

3	6G33-047A00-AA	Bracket, gear shift lever	1	-
4	8D33-045A67-AA	Panel, centre console	1	-
5	701157-PK	Screw, 4.2 x 16 large washer head	2	-
6	4G43-80-10960	Ashtray assy, Manual	1	Iridium Silver
-	4G43-80-10961	Utility tray assy	1	Iridium Silver
7	6G33-048A64-AA	Box, ash recepticle	1	-
8	9G43-043K78-AA	Door, utility tray	1	-
9	703176-PK	Screw, M4 x 6 pan head	4	-

[Contents](#)

DB9 - BODY SYSTEM



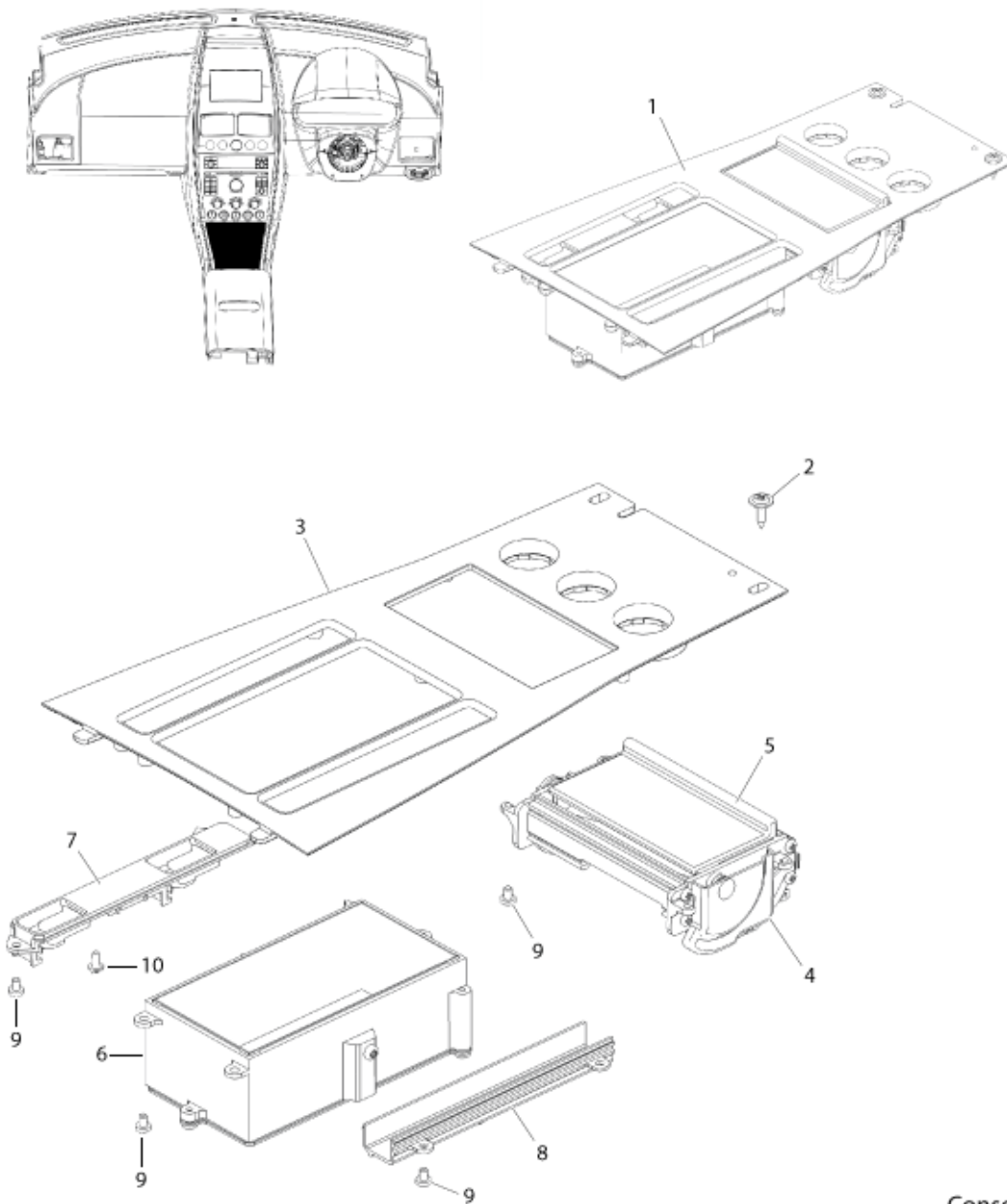
Console Panel, Low, Ashtray - AUTO

Item	Part Number	Description	Qty	Remarks
1		Panel Assy, centre console	1	-
2	701157	Screw, st4 x 16	2	-

3	6G33-045A66-JA	Panel, console, low, AUTO	1	Platinum
-	6G33-045A66-CA	Panel, console, low, AUTO	1	Anthracite
-	6G33-045A67-JA	Panel, console, low, bluetooth, AUTO	1	Platinum
-	6G33-045A67-CA	Panel, console, low, bluetooth, AUTO	1	Anthracite
4	4G43-80-10594	Ashtray Assy, AUTO	1	Platinum
-	4G43-80-10596	Ashtray Assy, AUTO	1	Anthracite
-	4G43-80-10833	Ashtray assy, AUTO	1	Graphite
5	4G43-043K78-AC	Door, Ashtray	1	Platinum
-	6G33-043K78-AA	Door, Ashtray	1	Anthracite
-	6G33-043K78-BA	Door, Ashtray	1	Graphite
6	6G33-044J84-ABW	Container Assy, Centre Console	1	-
7	4G43-13D720-AA	Bracket, Switch Console Panel	1	-
8	4G43-045J82-AA	Bracket, coin holder	1	-
9	701429	Screw, M4 x 6 Pan Head lobe drive	15	-
10	701445	Screw, M4 x 8 Pan Collar	2	-

DB9 - BODY SYSTEM

DB9
01 BODY SYSTEM



April 2008
011202-C2
Console Panel, High, Utility Tray- AUTO

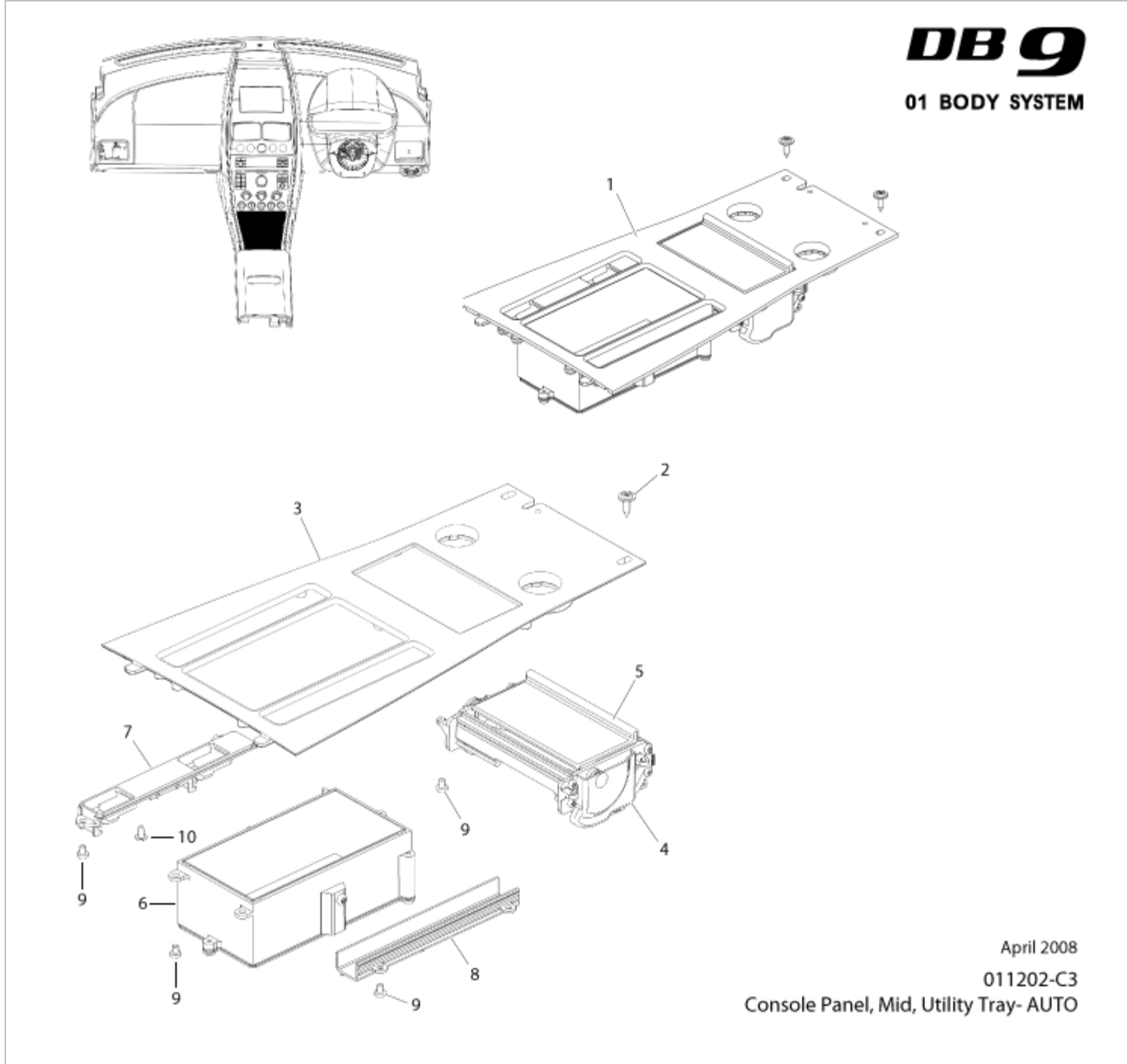
Console Panel, High, Utility Tray - AUTO

Item	Part Number	Description	Qty	Remarks
1		Panel Assy, centre console	1	-
2	701157	Screw, st 4 x 16	2	-
3	6G33-045A66-GB	Panel, console, high, AUTO	1	Platinum
-	6G33-045A66-AB	Panel, console, high, AUTO	1	Anthracite

-	6G33-045A67-GB	Panel, console, high, bluetooth, AUTO	1	Platinum
-	6G33-045A67-AB	Panel, console, high, bluetooth, AUTO	1	Anthracite
4	4G43-80-10598	Utility tray assy	1	Platinum
-	4G43-80-10599	Utility tray assy	1	Anthracite
-	4G43-80-10835	Utility tray assy	1	Graphite
5	4G43-043K78-AC	Door, utility	1	Platinum
-	6G33-043K78-AA	Door, utility	1	Anthracite
-	6G33-043K78-BA	Door, utility	1	Graphite
6	6G33-044J84-ABW	Container assy, centre console	1	-
7	4G43-13D720-AA	Bracket, switch console panel	1	-
8	4G43-045J82-AA	Bracket, coin holder	1	-
9	701429	Screw, M4 x 6 pan head lobe drive	15	-
10	701445	Screw, M4 x 8 pan collar	2	-

[Contents](#)

DB9 - BODY SYSTEM



April 2008
011202-C3
Console Panel, Mid, Utility Tray- AUTO

Console Panel, Mid, Utility Tray - AUTO

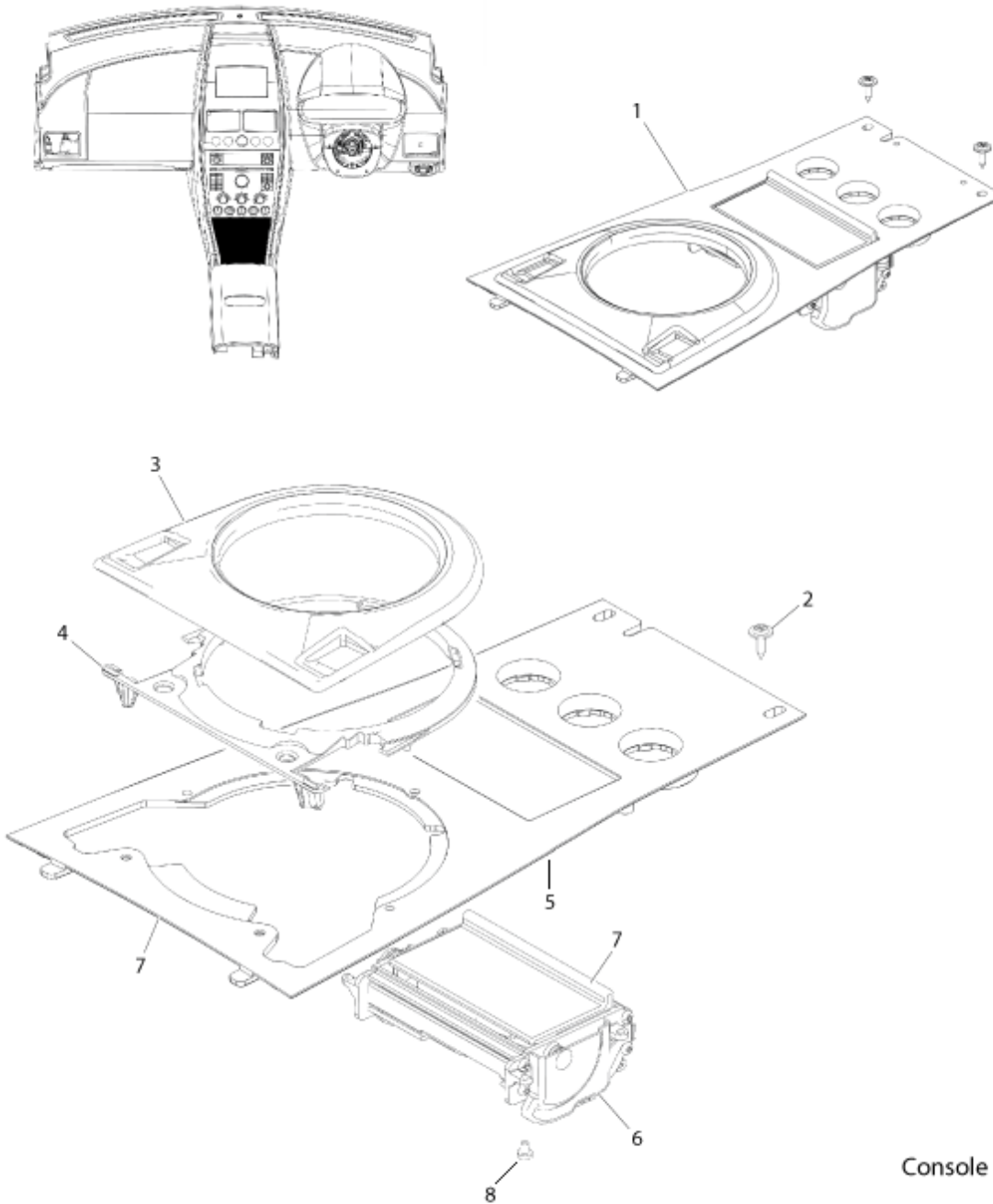
Item	Part Number	Description	Qty	Remarks
1		Panel Assy, centre console	1	-
2	701157	Screw, st4 x 16	2	-

3	6G33-045A66-HB	Panel, console, mid, AUTO	1	Platinum
-	6G33-045A66-BB	Panel, console, mid, AUTO	1	Anthracite
-	6G33-045A67-HB	Panel, console, mid, bluetooth, AUTO	1	Platinum
-	6G33-045A67-BB	Panel, console, mid, bluetooth, AUTO	1	Anthracite
4	4G43-80-10598	Utility tray assy	1	Platinum
-	4G43-80-10599	Utility tray assy	1	Anthracite
-	4G43-80-10835	Utility tray assy	1	Graphite
5	4G43-043K78-AC	Door, utility	1	Platinum
-	6G33-043K78-AA	Door, utility	1	Anthracite
-	6G33-043K78-BA	Door, utility	1	Graphite
6	6G33-044J84-ABW	Container assy, centre console	1	-
7	4G43-13D720-AA	Bracket, switch console panel	1	-
8	4G43-045J82-AA	Bracket, coin holder	1	-
9	701429	Screw, M4 x 6 pan head lobe drive	15	-
10	701445	Screw, M4 x 8 pan collar	2	-

DB9 - BODY SYSTEM

DB9

01 BODY SYSTEM



April 2008

011202-C4

Console Panel, High, Ashtray- MANUAL

Console Panel, High, Ashtray - MANUAL

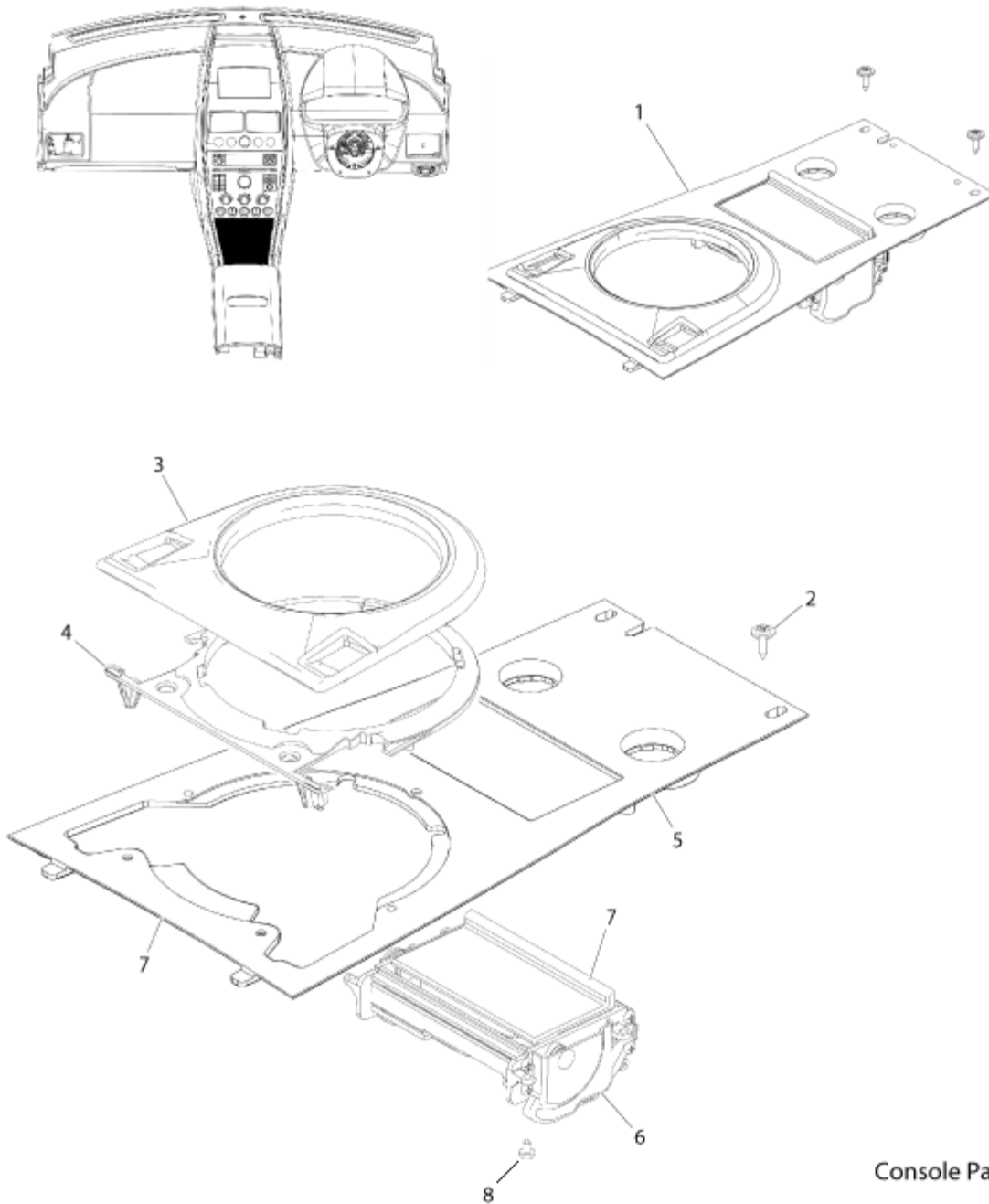
Item	Part Number	Description	Qty	Remarks
1		Panel Assy, centre console, MANUAL	1	-
2	701157	Screw, st4 x 16	2	-

3	6G33-7Z289-AB	Cover, trans gear shift lever	1	-
4	6G33-047A00-AA	Bracket, panel gear shift lever	1	-
5	6G33-045A66-LB	Panel, console, high, MANUAL	1	Platinum
-	6G33-045A66-EB	Panel, console, high, MANUAL	1	Anthracite
-	6G33-045A67-LB	Panel, console, high, bluetooth, MANUAL	1	Platinum
-	6G33-045A67-EB	Panel, console, high, bluetooth, MANUAL	1	Anthracite
6	4G43-80-10595	Ashtray assy, MANUAL	1	Platinum
-	4G43-80-10597	Ashtray assy, MANUAL	1	Anthracite
-	4G43-80-10834	Ashtray assy, MANUAL	1	Graphite
7	4G43-043K78-AC	Door, ashtray	1	Platinum
-	6G33-043K78-AA	Door, ashtray	1	Anthracite
-	6G33-043K78-BA	Door, ashtray	1	Graphite
8	701429	Screw, M4 x 6 Pan Head lobe drive	7	-

[Contents](#)

DB9 - BODY SYSTEM

DB9
01 BODY SYSTEM



April 2008
011202-C5
Console Panel, Mid, Ashtray- MANUAL

Console Panel, Mid, Ashtray - MANUAL

Item	Part Number	Description	Qty	Remarks
1		Panel Assy, centre console, MANUAL	1	-
2	701157	Screw, st4 x 16	2	-

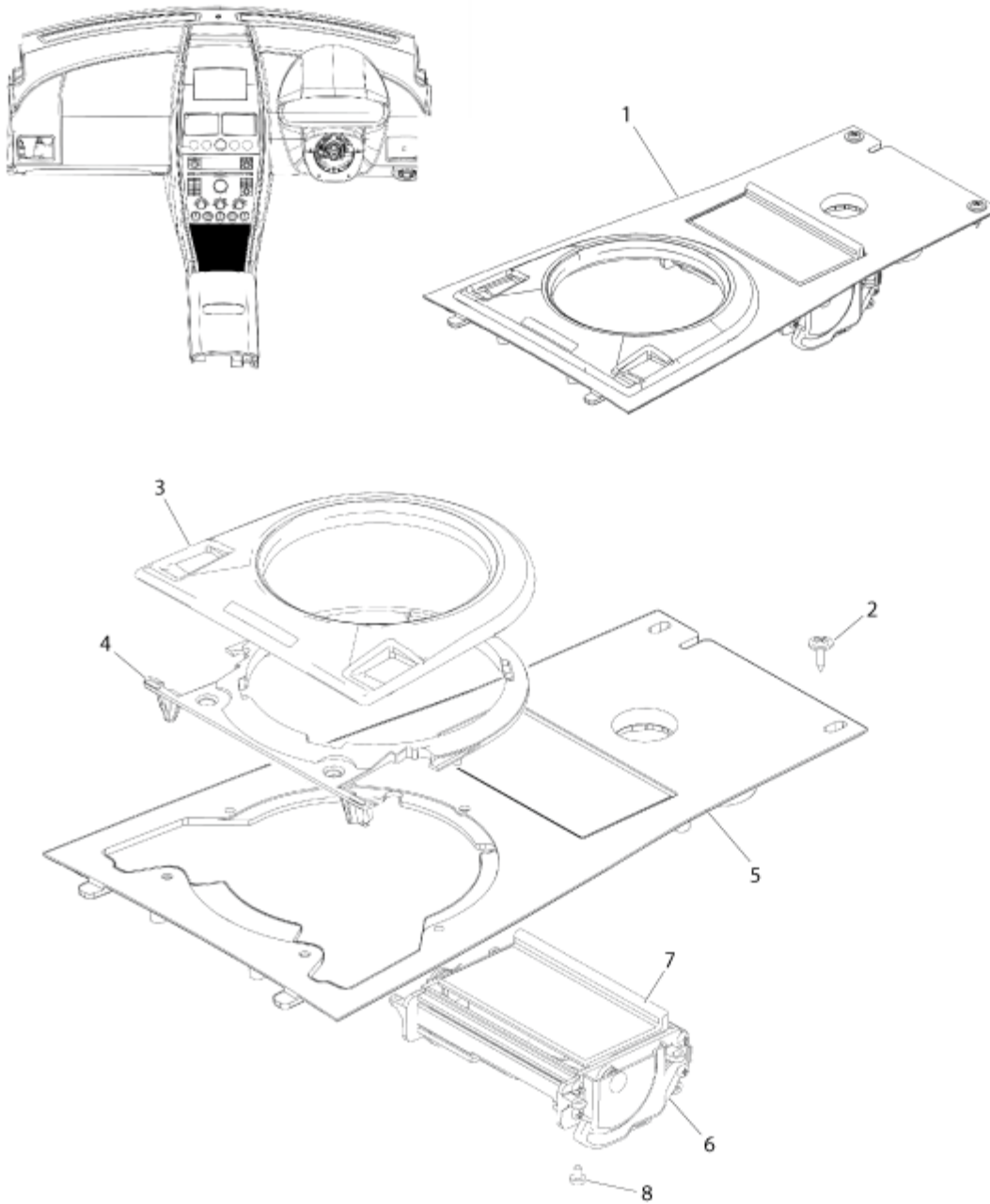
3	6G33-7Z289-AB	Cover, trans gear shift lever	1	-
4	6G33-047A00-AA	Bracket, panel gear shift lever	1	-
5	6G33-045A66-MB	Panel, console, mid, MANUAL	1	Platinum
-	6G33-045A66-FB	Panel, console, mid, MANUAL	1	Anthracite
-	6G33-045A67-MB	Panel, console, mid, bluetooth, MANUAL	1	Platinum
-	6G33-045A67-FB	Panel, console, mid, bluetooth, MANUAL	1	Anthracite
6	4G43-80-10595	Ashtray assy, MANUAL	1	Platinum
-	4G43-80-10597	Ashtray assy, MANUAL	1	Anthracite
-	4G43-80-10834	Ashtray assy, MANUAL	1	Graphite
7	4G43-043K78-AC	Door, ashtray	1	Platinum
-	6G33-043K78-AA	Door, ashtray	1	Anthracite
-	6G33-043K78-BA	Door, ashtray	1	Graphite
8	701429	Screw, M4 x 6 Pan Head lobe drive	7	-

[Contents](#)

DB9 - BODY SYSTEM

DB9

01 BODY SYSTEM



April 2008
011202-C6
Console Panel, Low, Ashtray- MANUAL

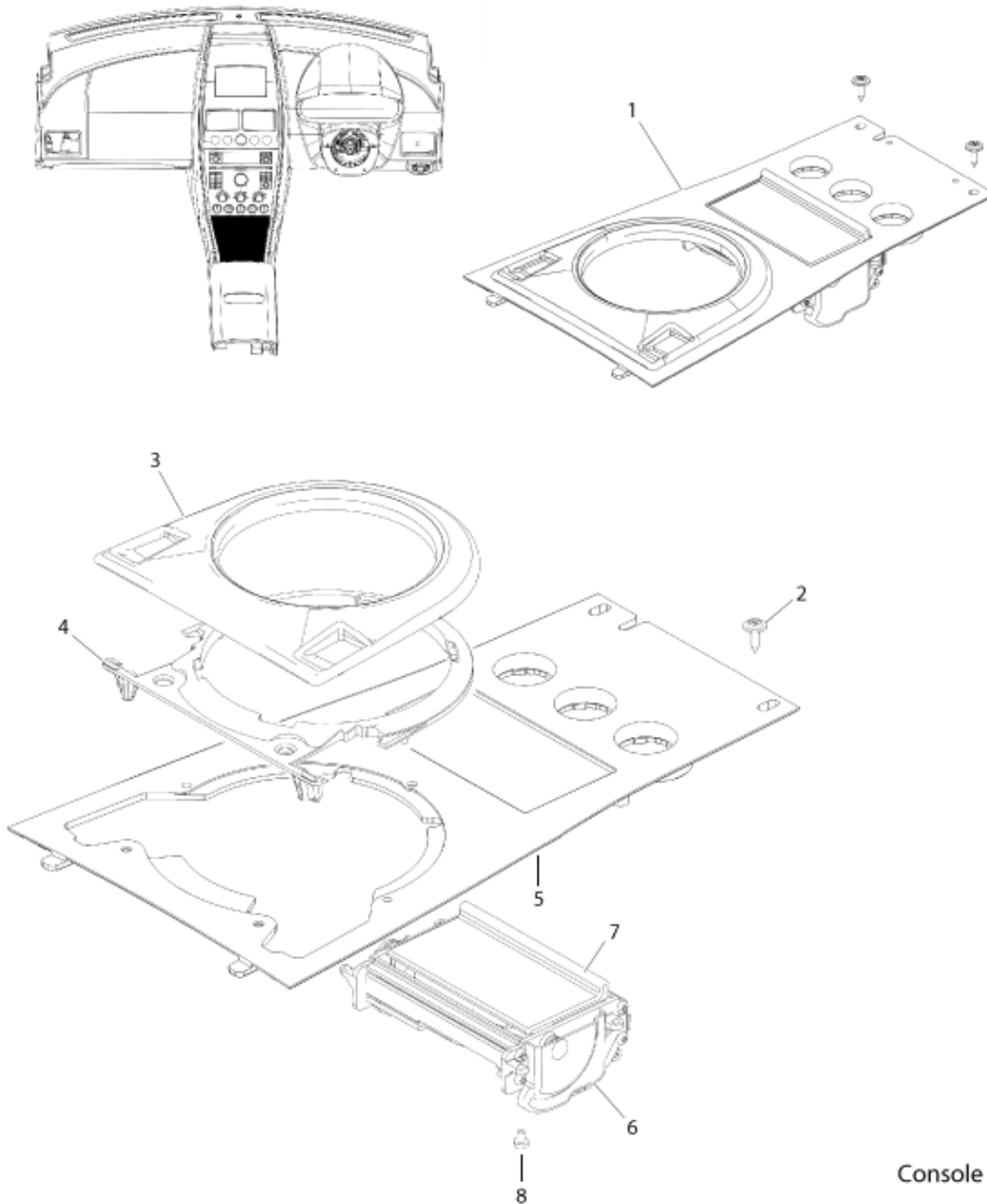
Console Panel, Low, Ashtray - MANUAL

Item	Part Number	Description	Qty	Remarks
1		Panel Assy, centre console, MANUAL	1	-
2	701157	Screw, st4 x 16	2	-

3	6G33-7Z289-AB	Cover, trans gear shift lever	1	-
4	6G33-047A00-AA	Bracket, panel gear shift lever	1	-
5	4G43-045A66-JA	Panel, console, low, MANUAL	1	Platinum
-	4G43-045A66-GA	Panel, console, low, MANUAL	1	Anthracite
-	4G43-045A67-JA	Panel, console, low, bluetooth, MANUAL	1	Platinum
-	4G43-045A67-GA	Panel, console, low, bluetooth, MANUAL	1	Anthracite
6	4G43-80-10595	Ashtray Assy, MANUAL	1	Platinum
-	4G43-80-10597	Ashtray Assy, MANUAL	1	Anthracite
-	4G43-80-10834	Ashtray Assy, MANUAL	1	Graphite
7	4G43-043K78-AC	Door, Ashtray	1	Platinum
-	6G33-043K78-AA	Door, Ashtray	1	Anthracite
-	6G33-043K78-BA	Door, Ashtray	1	Graphite
8	701429	Screw, M4 x 6 Pan Head lobe drive	7	-

DB9

01 BODY SYSTEM



April 2008
011202-C7
Console Panel, High, Utility Tray- MANUAL

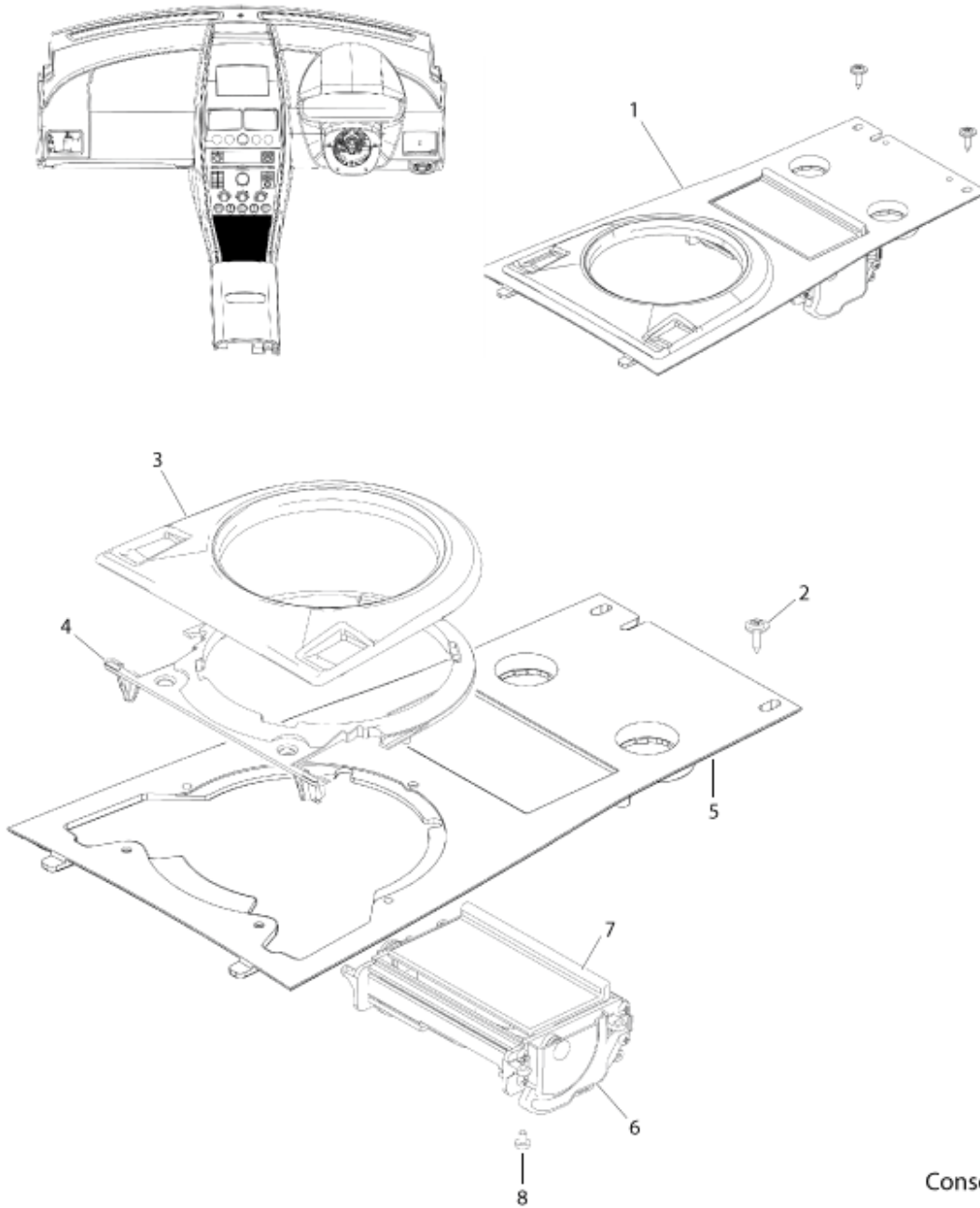
Console Panel, High, Utility Tray - MANUAL

Item	Part Number	Description	Qty	Remarks
1		Panel Assy, centre console, MANUAL	1	-
2	701157	Screw, st4 x 16	2	-
3	6G33-7Z289-AB	Cover, trans gear shift lever	1	-
4	6G33-047A00-AA	Bracket, panel gear shift lever	1	-

5	6G33-045A66-LB	Panel, console, high, MANUAL	1	Platinum
-	6G33-045A66-EB	Panel, console, high, MANUAL	1	Anthracite
-	6G33-045A67-LB	Panel, console, high, bluetooth, MANUAL	1	Platinum
-	6G33-045A67-EB	Panel, console, high, bluetooth, MANUAL	1	Anthracite
6	4G43-80-10598	Utility tray assy, MANUAL	1	Platinum
-	4G43-80-10599	Utility tray assy, MANUAL	1	Anthracite
-	4G43-80-10835	Utility tray assy	1	Graphite
7	4G43-043K78-AC	Door, utility	1	Platinum
-	6G33-043K78-AA	Door, utility	1	Anthracite
-	6G33-043K78-BA	Door, utility	1	Graphite
8	701429	Screw, M4 x 6 Pan Head lobe drive	7	-

DB9 - BODY SYSTEM

DB9
01 BODY SYSTEM



April 2008
011202-C8
Console Panel, Mid, Utility Tray- MANUAL

Console Panel, Mid, Utility Tray - MANUAL

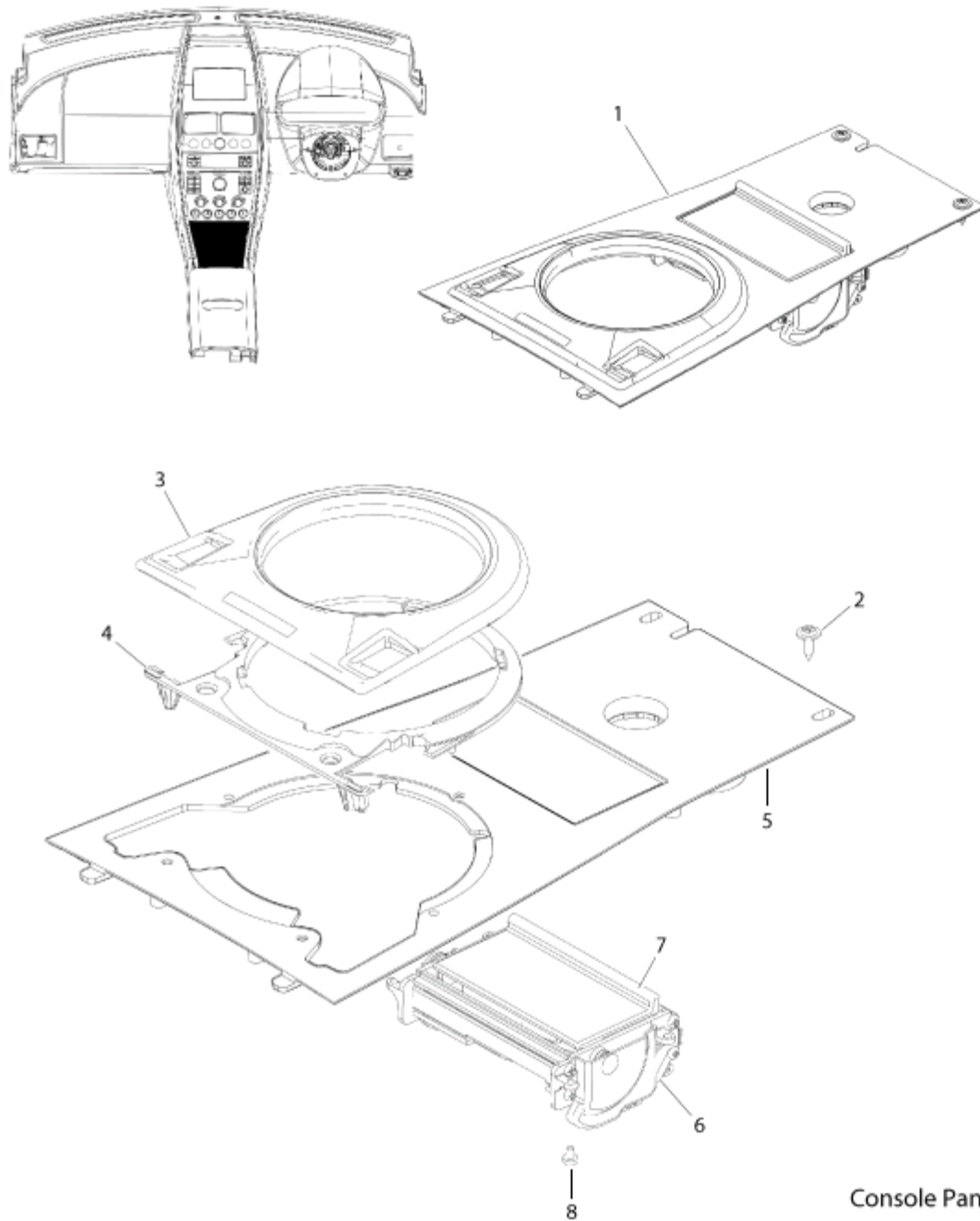
Item	Part Number	Description	Qty	Remarks
1		Panel Assy, centre console, MANUAL	1	-
2	701157	Screw, st4 x 16	2	-
3	6G33-7Z289-AB	Cover, trans gear shift lever	1	-

4	6G33-047A00-AA	Bracket, panel gear shift lever	1	-
5	6G33-045A66-MB	Panel, console, mid, MANUAL	1	Platinum
-	6G33-045A66-FB	Panel, console, mid, MANUAL	1	Anthracite
-	6G33-045A67-MB	Panel, console, mid, bluetooth, MANUAL	1	Platinum
-	6G33-045A67-FB	Panel, console, mid, bluetooth, MANUAL	1	Anthracite
6	4G43-80-10598	Utility tray assy, MANUAL	1	Platinum
-	4G43-80-10599	Utility tray assy, MANUAL	1	Anthracite
-	4G43-80-10835	Utility tray assy	1	Graphite
7	4G43-043K78-AC	Door, utility	1	Platinum
-	6G33-043K78-AA	Door, utility	1	Anthracite
-	6G33-043K78-BA	Door, utility	1	Graphite
8	701429	Screw, M4 x 6 Pan Head lobe drive	7	-

DB9 - BODY SYSTEM

DB9

01 BODY SYSTEM



April 2008

011202-C9

Console Panel, Low, Utility Tray- MANUAL

Console Panel, Low, Utility Tray - MANUAL

Item	Part Number	Description	Qty	Remarks
1		Panel Assy, centre console, MANUAL	1	-
2	701157	Screw, st4 x 16	2	-

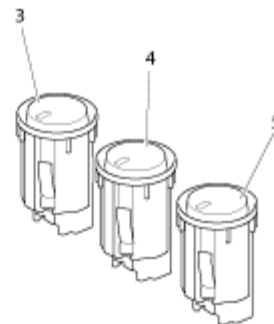
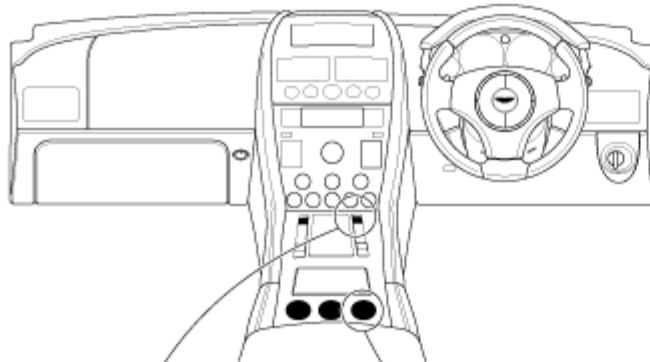
3	6G33-7Z289-AB	Cover, trans gear shift lever	1	-
4	6G33-047A00-AA	Bracket, panel gear shift lever	1	-
5	4G43-045A66-JA	Panel, console, low, MANUAL	1	Platinum
-	4G43-045A66-GA	Panel, console, low, MANUAL	1	Anthracite
-	4G43-045A67-JA	Panel, console, low, bluetooth, MANUAL	1	Platinum
-	4G43-045A67-GA	Panel, console, low, bluetooth, MANUAL	1	Anthracite
6	4G43-80-10598	Utility tray assy, MANUAL	1	Platinum
-	4G43-80-10599	Utility tray assy, MANUAL	1	Anthracite
-	4G43-80-10835	Utility tray assy	1	Graphite
7	4G43-043K78-AC	Door, utility	1	Platinum
-	6G33-043K78-AA	Door, utility	1	Anthracite
-	6G33-043K78-BA	Door, utility	1	Graphite
8	701429	Screw, M4 x 6 Pan Head lobe drive	7	-

[Contents](#)

DB9 - BODY SYSTEM

DB9

01 BODY SYSTEM



September 2007

011202-D1

Console Switches-RHD Manual-Coupe

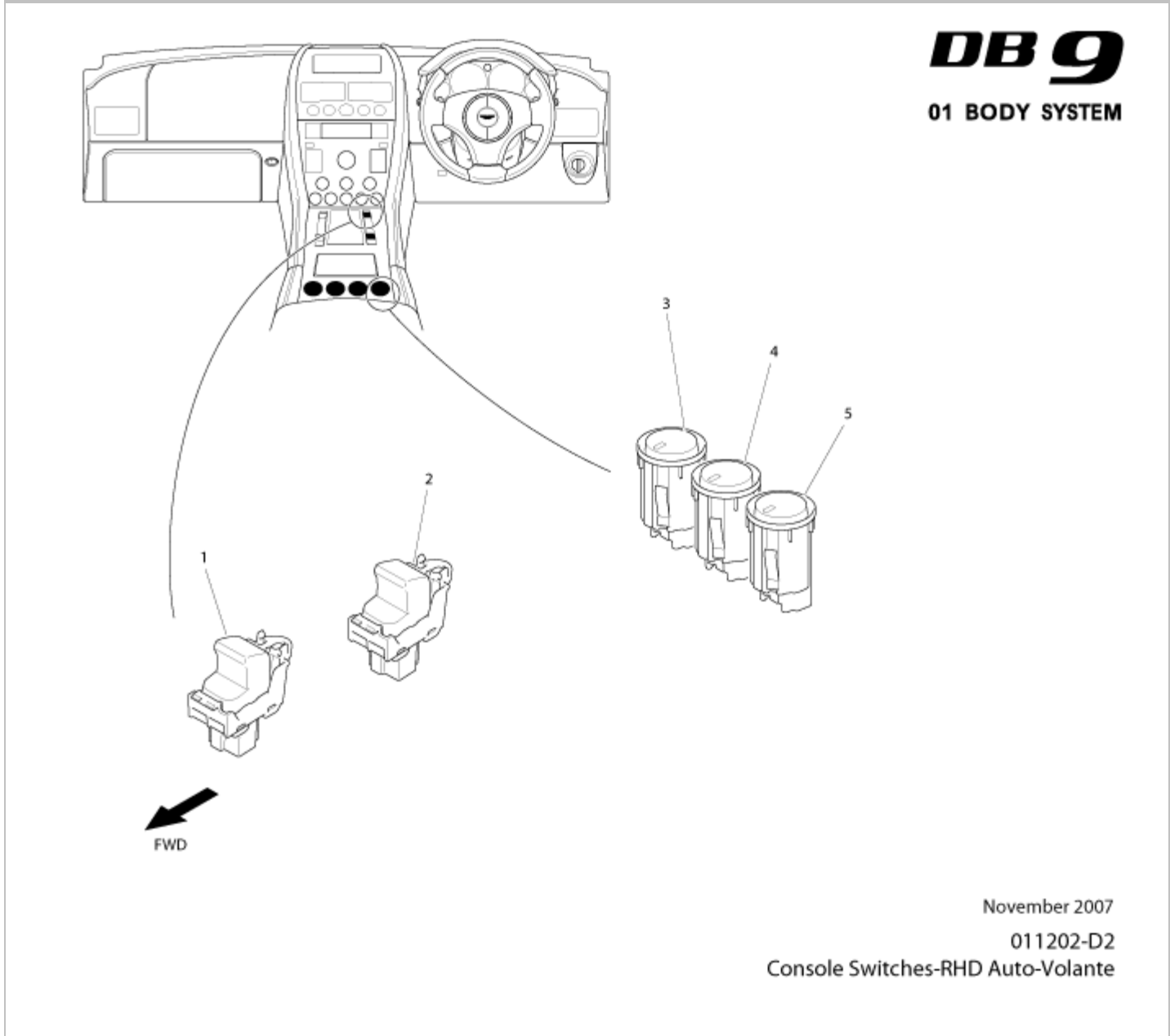
Console Switches - RHD Manual - Coupe

Item	Part Number	Description	Qty	Remarks
1	4G43-14963-AA	Switch, master lock	1	-
2	4G43-19B514-AA	Switch, boot release	1	-
-	701445	Screw, 4 x 8 pan 6 lob	2	-
3	4G43-18C621-AF	Switch, heated rear screen	1	Up to (V) A04018

-	6G33-18C621-AA	Switch, heated rear screen	1	From (V) A04019
4	4G43-18K574-AF	Switch assy, heated front screen	1	Up to (V) A04018
-	6G33-18K574-AA	Switch assy, heated front screen	1	From (V) A04019
5	4G43-15A860-AF	Switch assy, PDC off	1	Up to (V) A04018
-	6G33-15A860-AA	Switch assy, PDC off	1	From (V) A04019

[Contents](#)

DB9 - BODY SYSTEM



November 2007

011202-D2

Console Switches-RHD Auto-Volante

Console Switches - RHD Auto - Volante

Item	Part Number	Description	Qty	Remarks
1	4G43-14963-AA	Switch, master lock	1	-
2	4G43-15691-AA	Switch, convertible roof	1	-
-	701445	Screw, 4 x 8 pan 6 lob	2	-
3	4G43-14B626-AE	Switch, sports mode	1	Up to (V) A04018
-	6G33-14B626-AA	Switch, sports mode	1	From (V) A04019

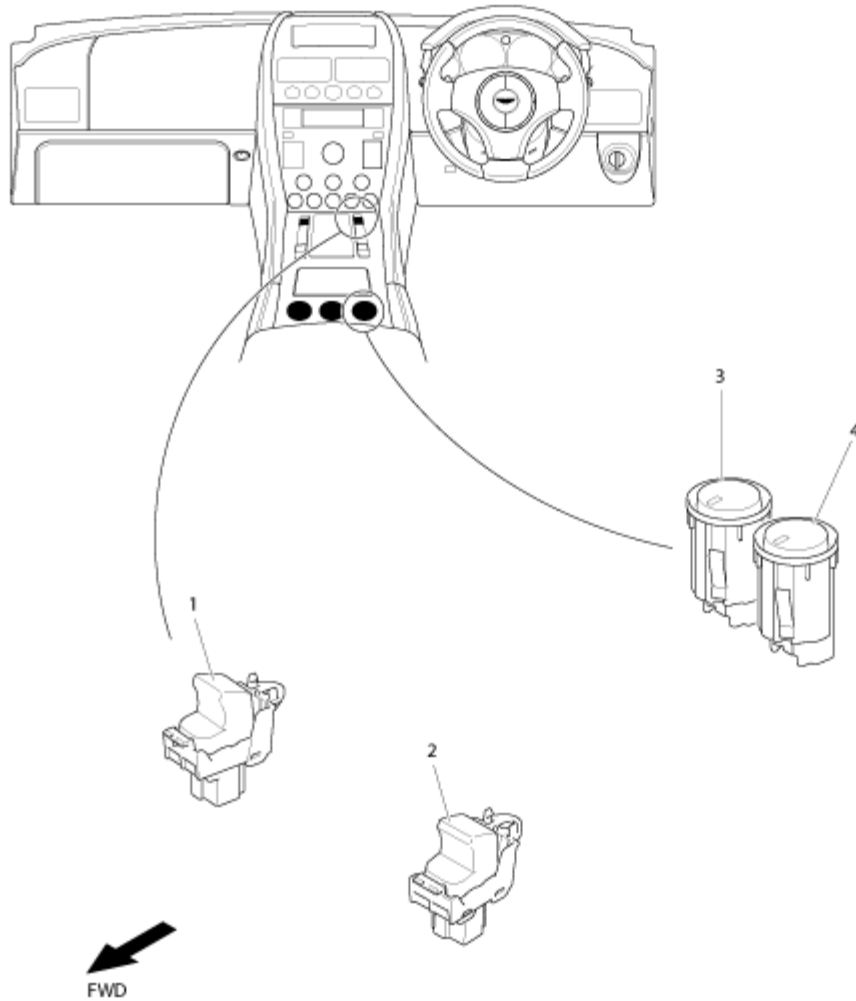
4	4G43-18K574-AF	Switch assy, heated front screen	1	Up to (V) A04018
-	6G33-18K574-AA	Switch assy, heated front screen	1	From (V) A04019
5	4G43-15A860-AF	Switch assy, PDC off	1	Up to (V) A04018
-	6G33-15A860-AA	Switch assy, PDC off	1	From (V) A04019

[Contents](#)

DB9 - BODY SYSTEM

DB9

01 BODY SYSTEM



November 2007

011202-D3

Console Switches-RHD Manual- Volante

Console Switches - RHD Manual - Volante

Item	Part Number	Description	Qty	Remarks
1	4G43-14963-AA	Switch, master lock	1	-
2	4G43-15691-AA	Switch, convertible roof	1	-
-	701445	Screw, 4 x 8 pan 6 lob	2	-
3	4G43-18K574-AF	Switch assy, heated front screen	1	Up to (V) A04018
-	6G33-18K574-AA	Switch assy, heated front screen	1	From (V) A04019

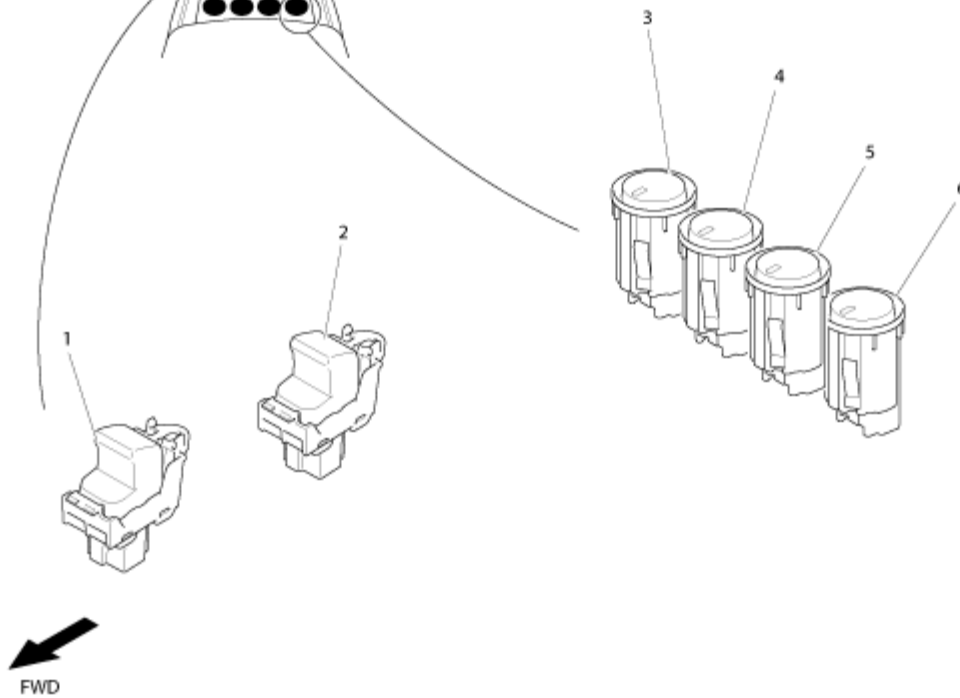
4	4G43-15A860-AF	Switch assy, PDC off	1	Up to (V) A04018
-	6G33-15A860-AA	Switch assy, PDC off	1	From (V) A04019

[Contents](#)

DB9 - BODY SYSTEM



DB9
01 BODY SYSTEM



November 2007
011202-D4
Console Switches-RHD Auto-Coupe

Console Switches - RHD Auto - Coupe

Item	Part Number	Description	Qty	Remarks
1	4G43-14963-AA	Switch, master lock	1	-
2	4G43-19B514-AA	Switch, boot release	1	-
-	701445	Screw, 4 x 8 pan 6 lob	2	-
3	4G43-18C621-AF	Switch, heated rear screen	1	Up to (V) A04018
-	6G33-18C621-AA	Switch, heated rear screen	1	From (V) A04019

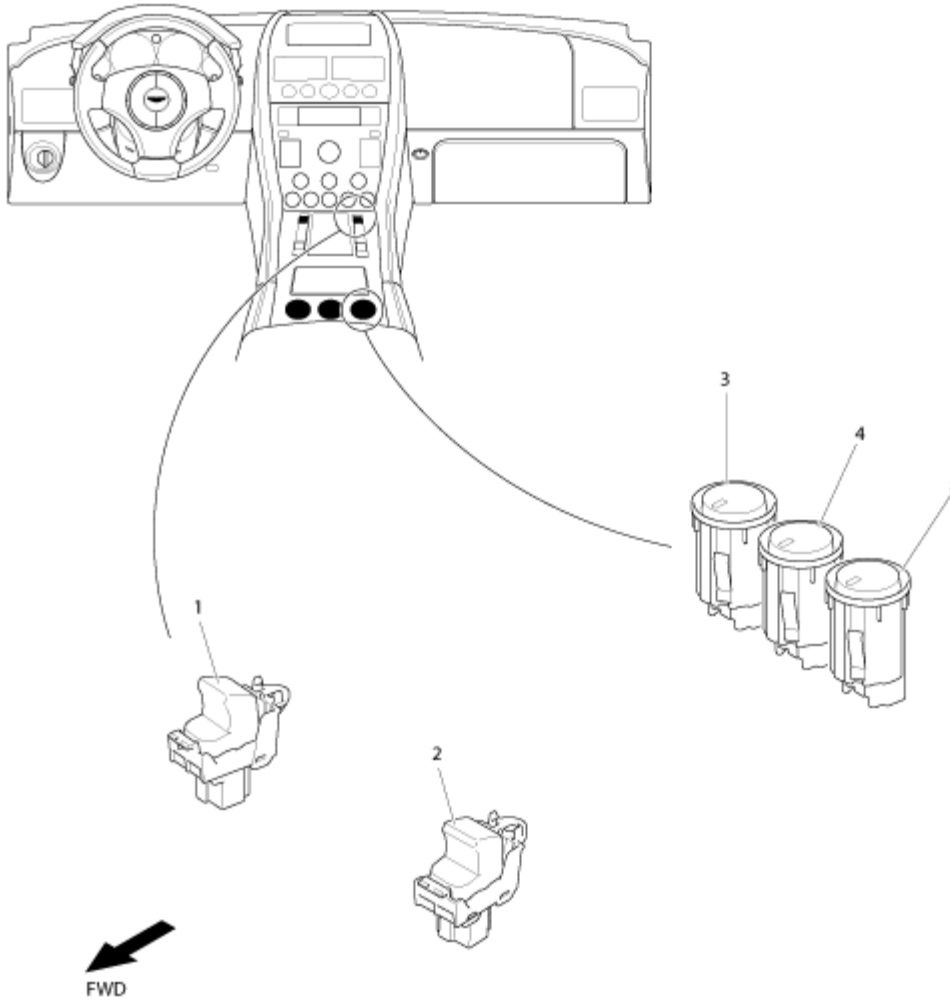
4	4G43-14B626-AF	Switch, sports mode	1	Up to (V) A04018
-	6G33-14B626-AA	Switch, sports mode	1	From (V) A04019
5	4G43-18K574-AF	Switch assy, heated front screen	1	Up to (V) A04018
-	6G33-18K574-AA	Switch assy, heated front screen	1	From (V) A04019
6	4G43-15A860-AF	Switch assy, PDC off	1	Up to (V) A04018
-	6G33-15A860-AA	Switch assy, PDC off	1	From (V) A04019

[Contents](#)

DB9 - BODY SYSTEM

DB9

01 BODY SYSTEM



November 2007

011202-D5

Console Switches-LHD Manual-Coupe

Console Switches - LHD Manual - Coupe

Item	Part Number	Description	Qty	Remarks
1	4G43-14963-AA	Switch, master lock	1	-
2	4G43-19B514-AA	Switch, boot release	1	-
-	701445	Screw, 4 x 8 pan 6 lob	2	-
3	4G43-18C621-AF	Switch, heated rear screen	1	Up to (V) A04018
-	6G33-18C621-AA	Switch, heated rear screen	1	From (V) A04019

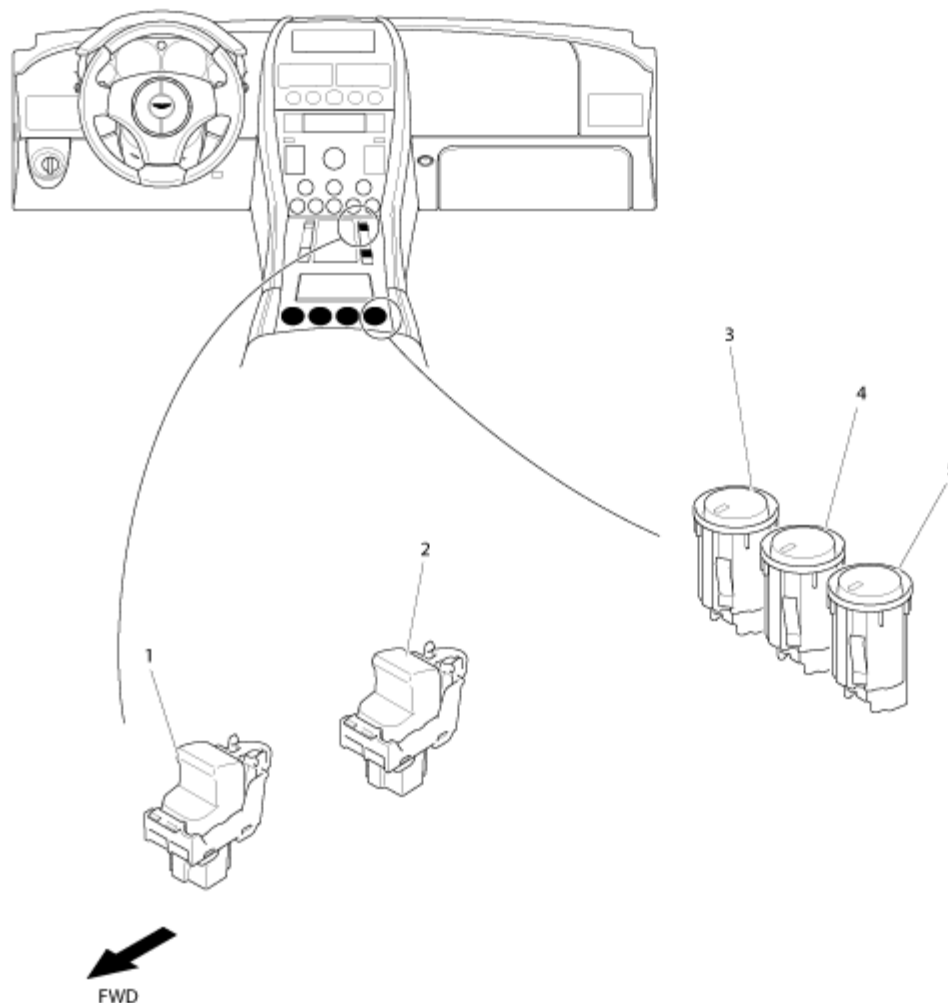
4	4G43-18K574-AF	Switch assy, heated front screen	1	Up to (V) A04018
-	6G33-18K574-AA	Switch assy, heated front screen	1	From (V) A04019
5	4G43-15A860-AF	Switch assy, PDC off	1	Up to (V) A04018
-	6G33-15A860-AA	Switch assy, PDC off	1	From (V) A04019

[Contents](#)

DB9 - BODY SYSTEM

DB9

01 BODY SYSTEM



November 2007

011202-D6

Console Switches-LHD Auto- Volante

Console Switches - LHD Auto - Volante

Item	Part Number	Description	Qty	Remarks
1	4G43-14963-AA	Switch, master lock	1	-
2	4G43-15691-AA	Switch, convertible roof	1	-
-	701445	Screw, 4 x 8 pan 6 lob	2	-
3	4G43-15A860-AF	Switch assy, PDC off	1	Up to (V) A04018

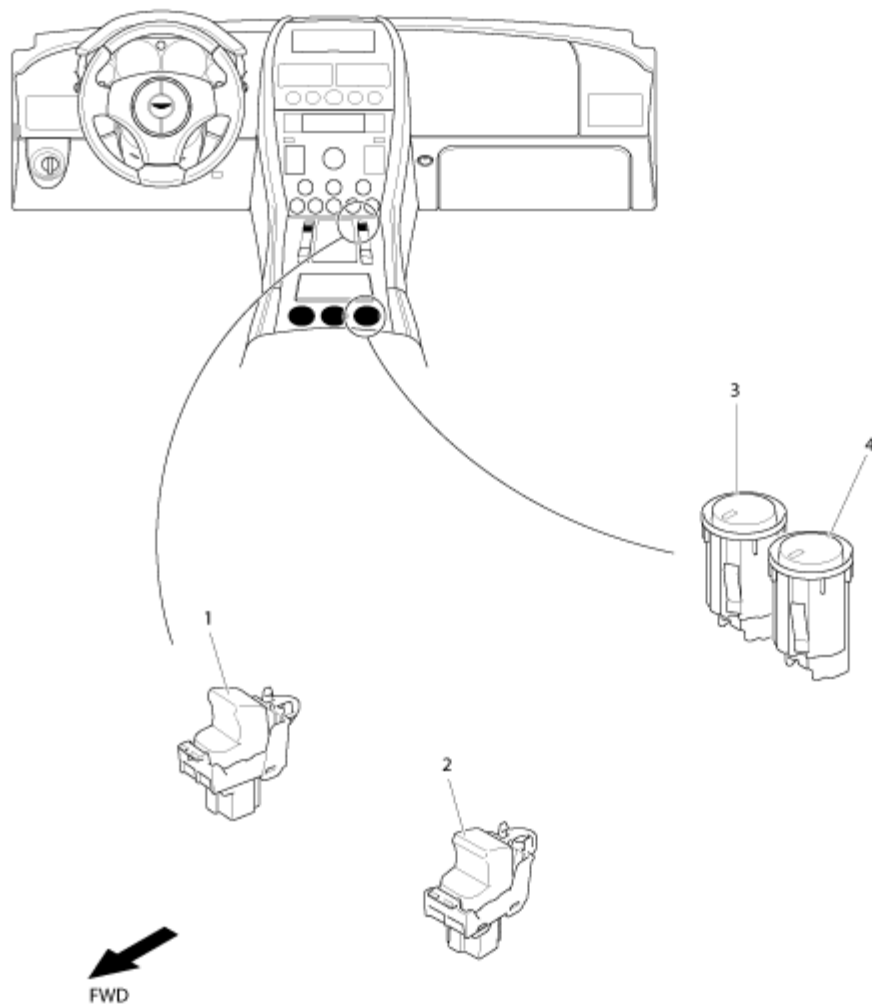
-	6G33-15A860-AA	Switch assy, PDC off	1	From (V) A04019
4	4G43-18K574-AF	Switch assy, heated front screen	1	Up to (V) A04018
-	6G33-18K574-AA	Switch assy, heated front screen	1	From (V) A04019
5	4G43-14B626-AF	Switch, sports mode	1	Up to (V) A04018
-	6G33-14B626-AA	Switch, sports mode	1	From (V) A04019

[Contents](#)

DB9 - BODY SYSTEM

DB9

01 BODY SYSTEM



November 2007

011202-D7

Console Switches-LHD Manual- Volante

Console Switches - LHD Manual - Volante

Item	Part Number	Description	Qty	Remarks
1	4G43-14963-AA	Switch, master lock	1	-
2	4G43-15691-AA	Switch, convertible roof	1	-
-	701445	Screw, 4 x 8 pan 6 lob	2	-
3	4G43-15A860-AF	Switch assy, PDC off	1	Up to (V) A04018

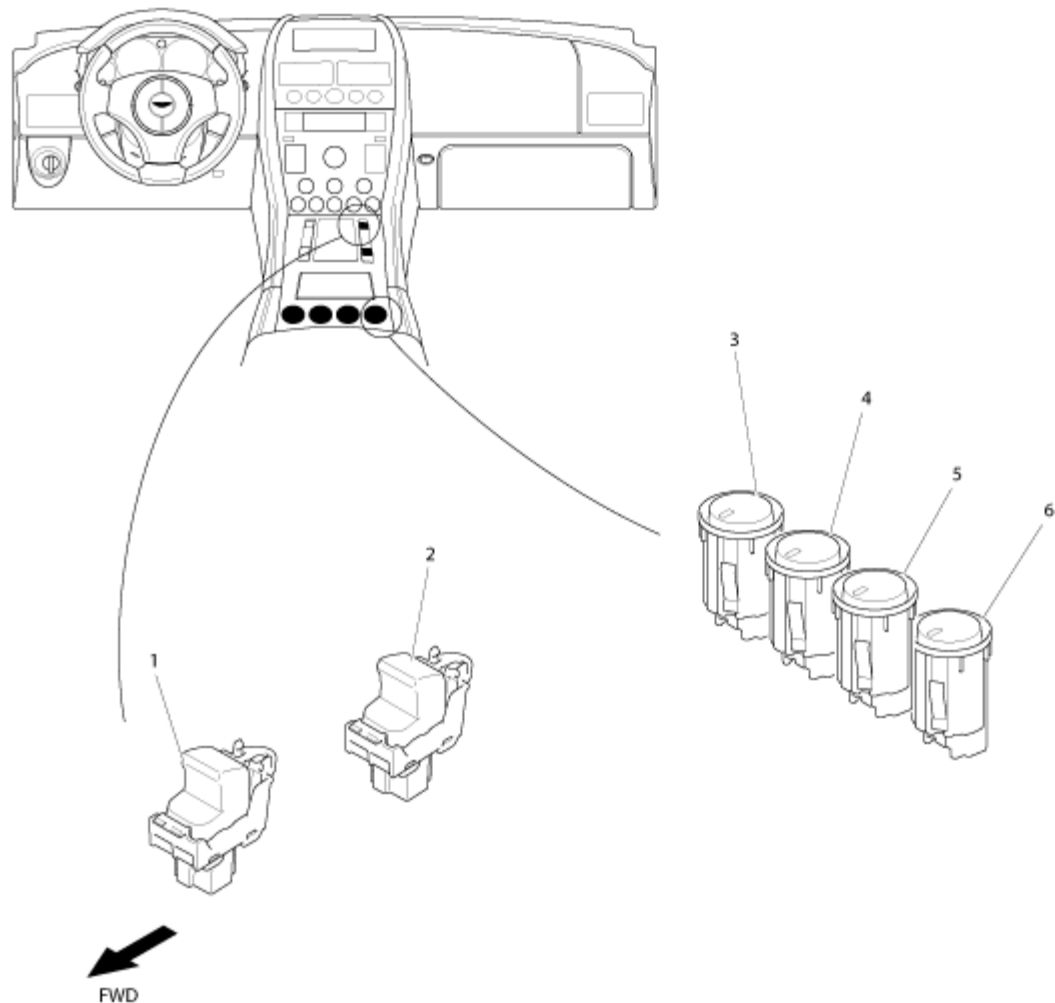
-	6G33-15A860-AA	Switch assy, PDC off	1	From (V) A04019
4	4G43-18K574-AF	Switch assy, heated front screen	1	Up to (V) A04018
-	6G33-18K574-AA	Switch assy, heated front screen	1	From (V) A04019

[Contents](#)

DB9 - BODY SYSTEM

DB9

01 BODY SYSTEM



November 2007

011202-D8

Console Switches-LHD Auto-Coupe

Console Switches - LHD Auto - Coupe

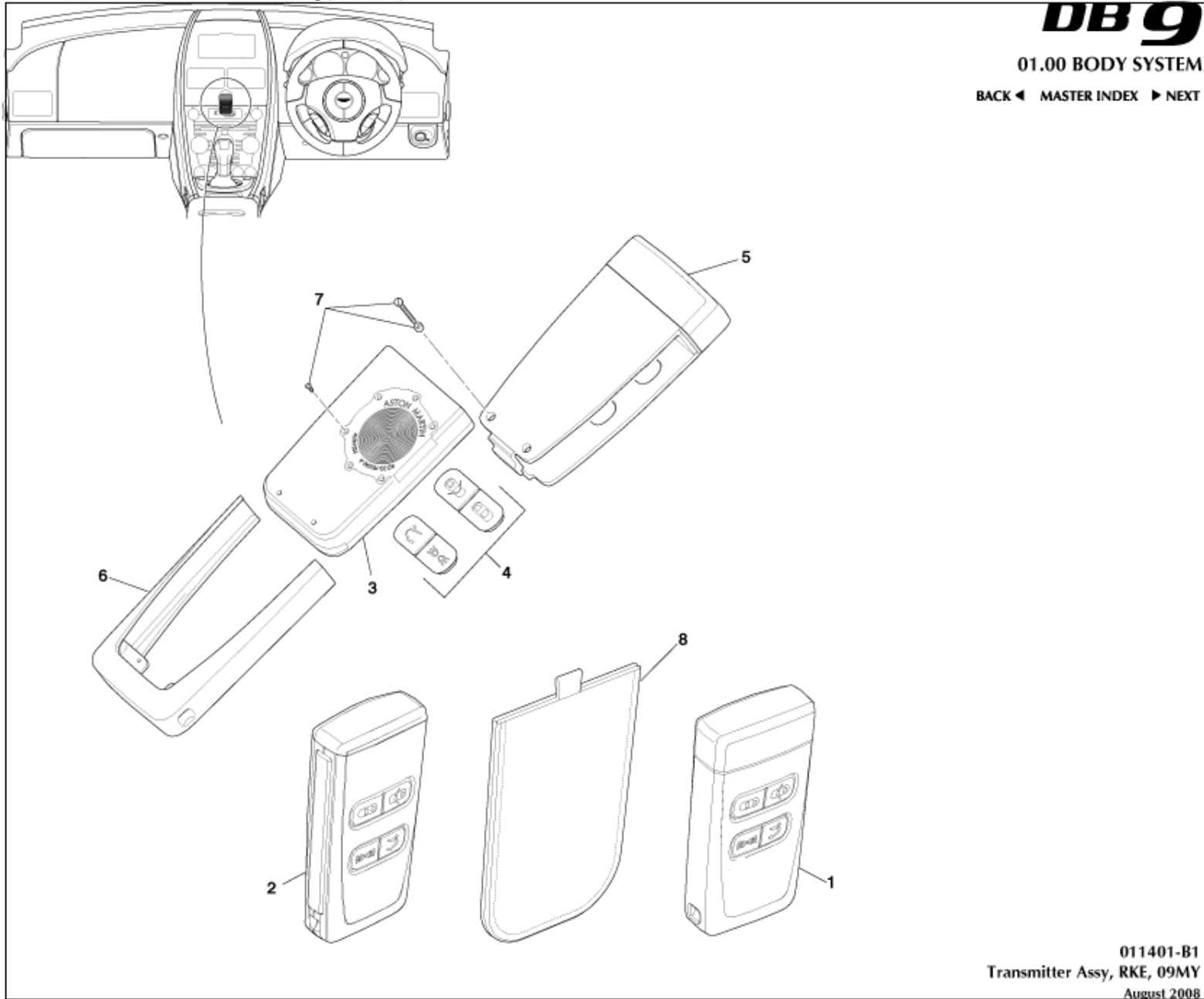
Item	Part Number	Description	Qty	Remarks
1	4G43-14963-AA	Switch, master lock	1	-
2	4G43-19B514-AA	Switch, boot release	1	-
-	701445	Screw, 4 x 8 pan 6 lob	2	-
3	4G43-15A860-AE	Switch assy, PDC off	1	Up to (V) A04018

-	6G33-15A860-AA	Switch assy, PDC off	1	From (V) A04019
4	4G43-18K574-AF	Switch assy, heated front screen	1	Up to (V) A04018
-	6G33-18K574-AA	Switch assy, heated front screen	1	From (V) A04019
5	4G43-14B626-AF	Switch, sports mode	1	Up to (V) A04018
-	6G33-14B626-AA	Switch, sports mode	1	From (V) A04019
6	4G43-18C621-AF	Switch, heated rear screen	1	Up to (V) A04018
-	6G33-18C621-AA	Switch, heated rear screen	1	From (V) A04019

[Contents](#)

DB9 - BODY SYSTEM

Transmitter Assy, RKE, 09MY



011401-B1
Transmitter Assy, RKE, 09MY
August 2008

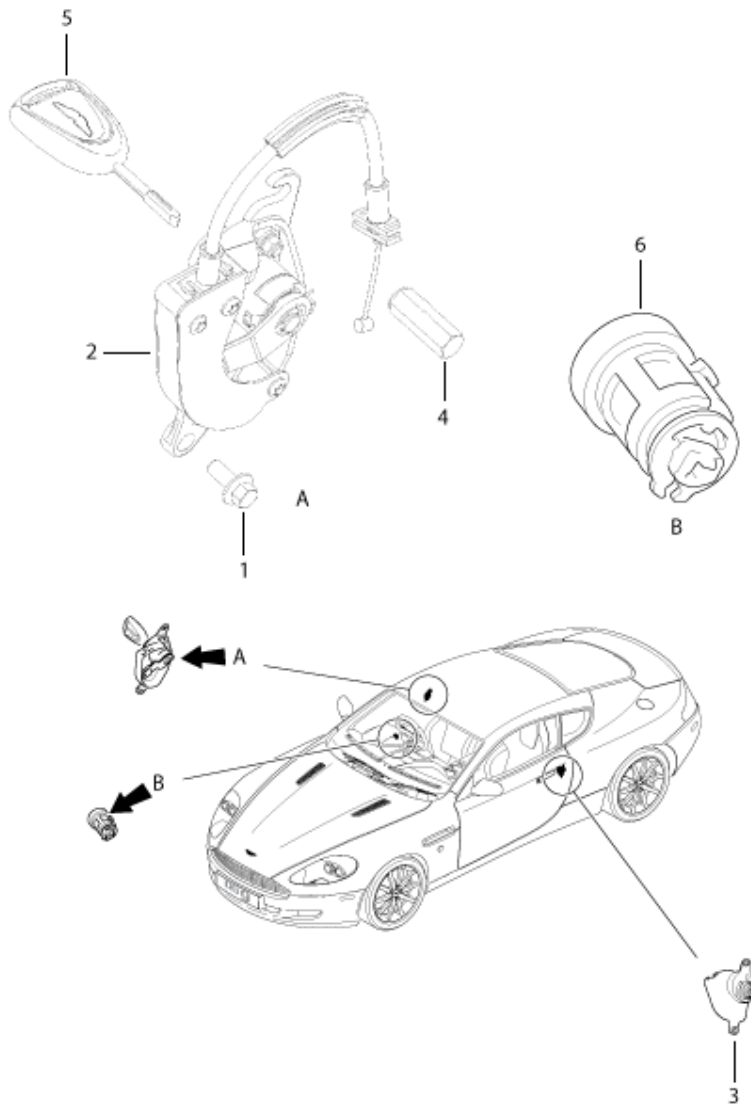
Item	Part Number	Description	Qty	Remarks
1	9G43-19H481-AA	Primary FOB assy - Federal/Japan, 315 MHz, glass black	1	-
-	9G43-19H481-BA	Primary FOB assy - ROW, 433 MHz, glass black	1	-
2	8D33-19H483-AA	Plastic FOB assy - Federal/Japan, 315 MHz	1	-
	8D33-19H483-			

-	BA	Plastic FOB assy - ROW, 433 MHz	1	-
3	9G43-19H479-BA	RKE sub assy - ROW, 433 MHz	1	-
-	9G43-19H479-AA	RKE sub assy - Federal/Japan, 315 MHz	1	-
4	8D33-19H478-AA	Button kit, lexan	1	Primary Fob assy only
5	9G43-19H477-AA	Fob lens assy ,Glass	1	Federal/Japan
-	9G43-19H477-BA	Fob lens assy ,Glass	1	ROW
6	8D33-19H484-AA	FOB body, stainless steel	1	-
7	8D33-19H480-AA	Screw kit, (battery cover and FOB lens)	1	-
8	9G43-19H419-AA	Cover, ECU locket	1	-

[Contents](#)

DB9 - BODY SYSTEM

DB9
01 BODY SYSTEM



March 2008
011401-B2
Lock Set and Keys

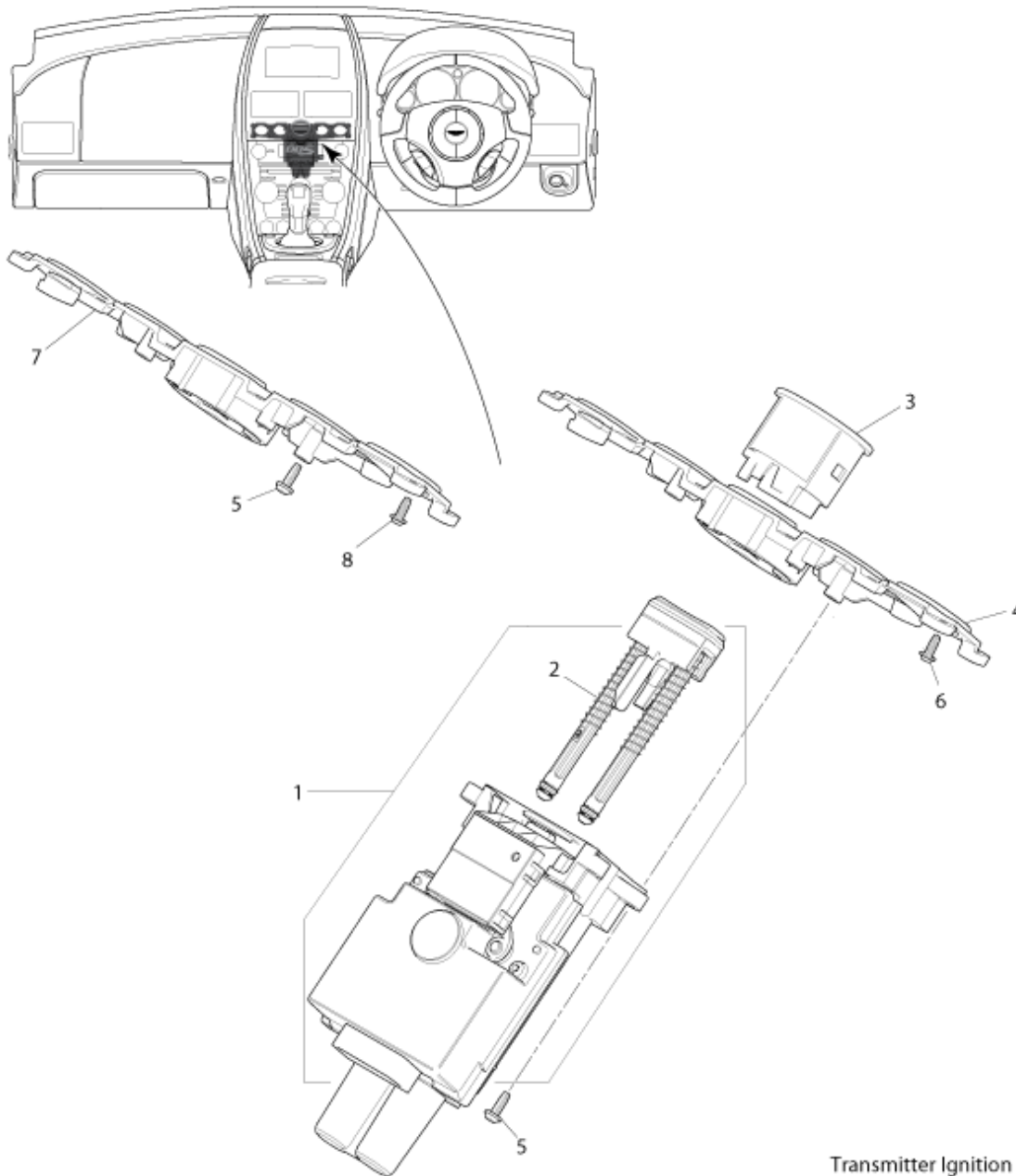
Lock Set and Keys

Item	Part Number	Description	Qty	Remarks
1	703264	Screw, flg, M6 x 14	4	-
-	4G43-F22050-BE	Lockset	1	-
-	8D33-F22050-AA	Lockset	1	09MY
2	4G43-F21990-BE	Cylinder, door lock, RH	1	-
3	4G43-F21991-BE	Cylinder, door lock, LH	1	-
4	4G43-43183-AB	Extended nut, key cylinder fastening	2	-

5	4G43-654024-AA/B	Key assy, blank	3	-
-	8D33-654024-AA	Key assy, blank	3	09MY
-	4G43-654024-AA/N	Key assy, cut to key number	3	-
6	1S71-F3677-AC	Cylinder, ignition lock	1	-

DB9 - BODY SYSTEM

DB9
01 BODY SYSTEM



August 2008

011401-B3

Transmitter Ignition Start/Stop Switch Module, 09MY

Transmitter Ignition Start/Stop Switch Module, 09MY

Item	Part Number	Description	Qty	Remarks
1	9G43-19H386-AG	Docking station assy, GLASS	1	-
2	9G43-19H421-A	Slider assy, GLASS	1	-
3	9G43-19H420-AG	Bezel assy, GLASS, transmitter ignition start/stop	1	-

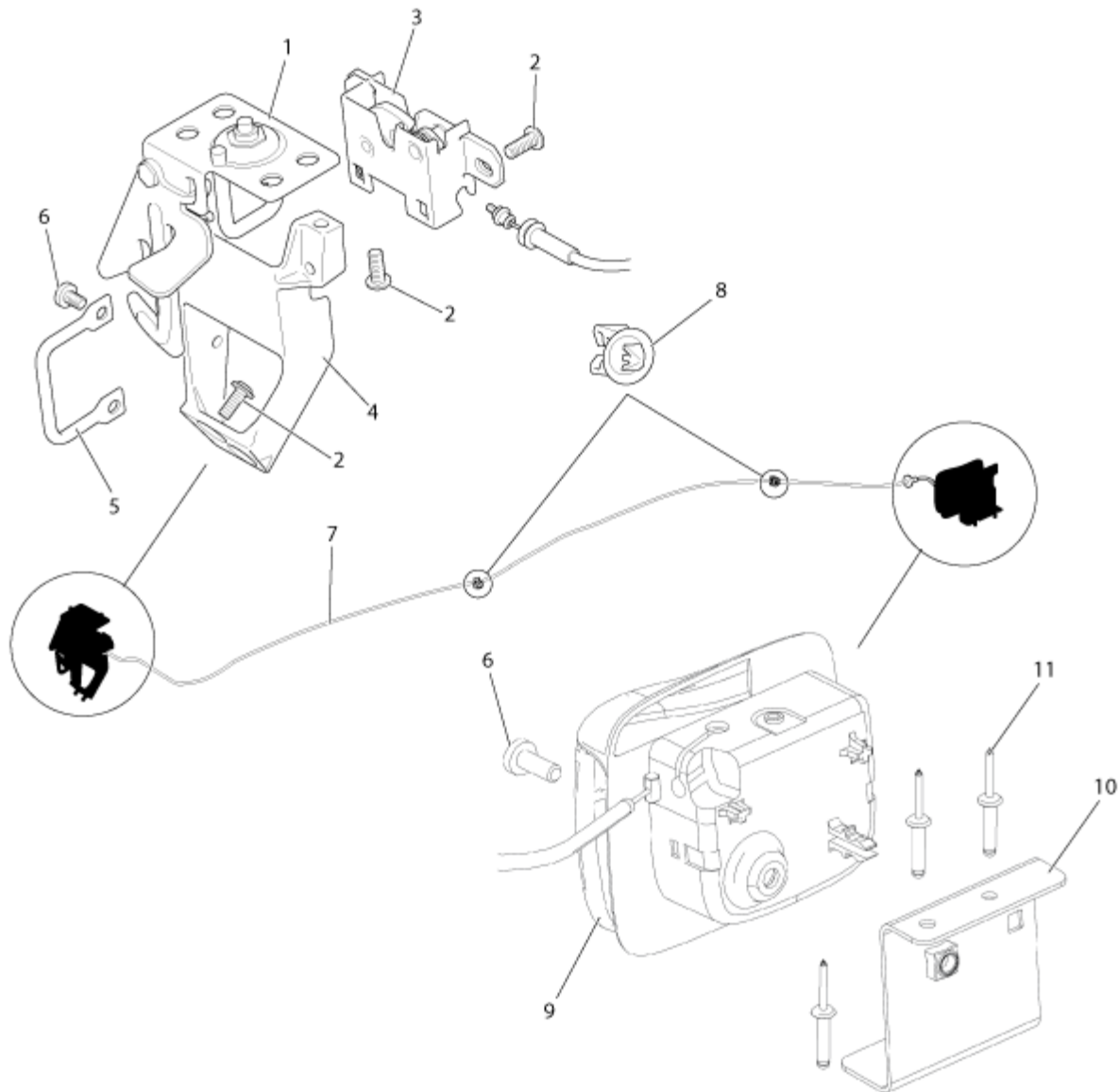
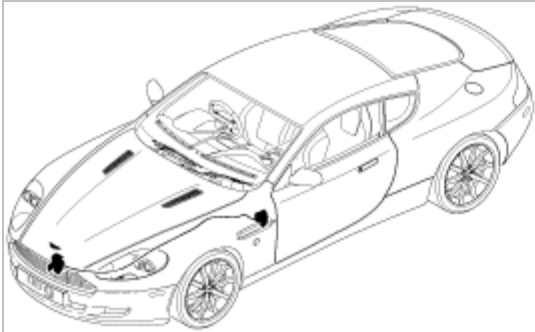
4	8D33-14A462-BG	Retainer, control switch, FOIL	1	-
5	701447	Screw, M4 x 12 torx pan	12	-
6	W504682-S437M	Screw, M4 x 8 torx pan	4	-
7	8D33-14A462-AG	Retainer, control switch, VENEER	1	-
8	W505510-S437	Screw, M4 x 12	12	-

[Contents](#)

DB9 - BODY SYSTEM

DB9

01.00 BODY SYSTEM

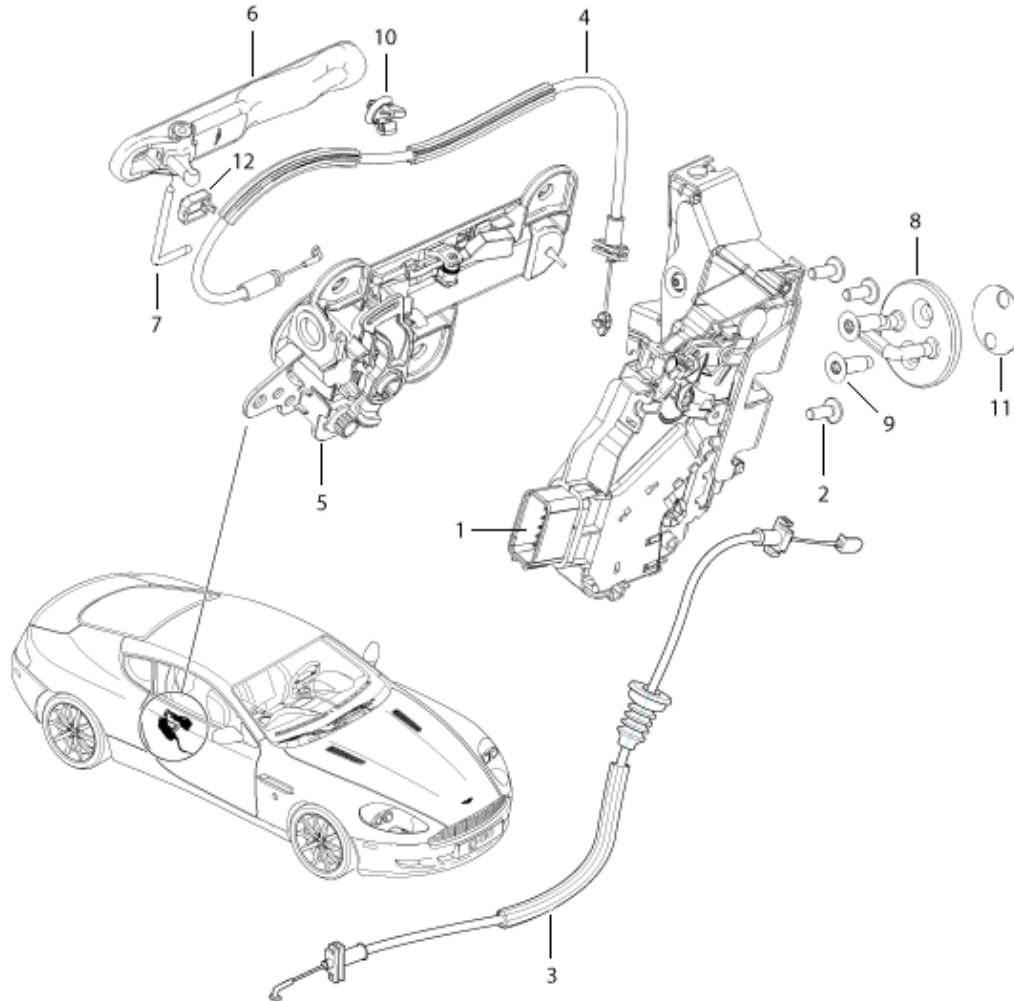


011403-B1
Hood Latching System
August 2007

Hood Latching System

Item	Part Number	Description	Qty	Remarks
1	4G43-16B768-AE	Latch assy, hood, secondary	1	-
2	701454	Screw, flg, M6 x 16 torx	6	07MY
-	703149	Screw, flg, M6 x 16 torx	6	08MY
3	4G43-64-10063	Latch assy	1	-
4	4G43-3804-AC	Bracket assy, hood lock	1	-
5	4G43-16A944-AB	Striker bar	1	-
6	700250	Screw, M6 x 16	4	07MY
-	703265	Screw, M6 x 16	4	08MY
7	4G43-16C656-AD	Cable assy, hood release	1	-
8	4G43-65-10059	Clip, firtree	4	-
9	9G43-64-11062	Lever, hood release	1	-
10	4G43-16C730-AB	Bracket, hood release handle	1	-
-	701553	Screw, M6 x 16 pan head, hood release handle to bracket	1	-
11	701580	Rivet, dome head, hood release mounting bracket to body	3	-

DB9
01 BODY SYSTEM



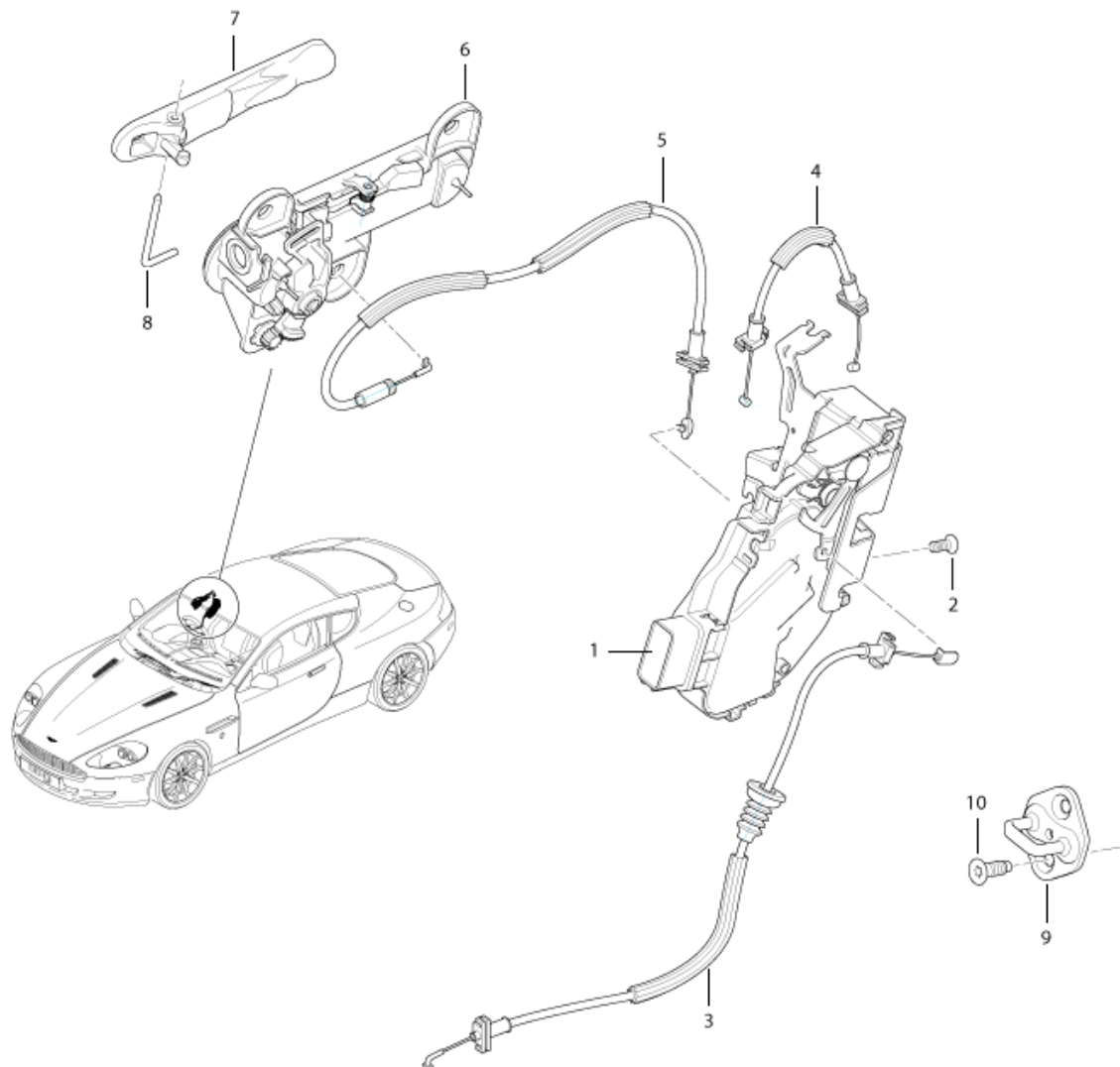
August 2007
011404-B1
Front Door Latch, LHD

Front Door Latch, LHD

Item	Part Number	Description	Qty	Remarks
1	4G43-21812-AC	Latch Assy, RH	1	07MY
-	8G43-21812-AA	Latch Assy, RH	1	08MY
-	4G43-21813-AC	Latch Assy, LH	1	07MY
-	8G43-21813-AA	Latch Assy, LH	1	08MY
-	703981	Screw, M4 x 10, torx pan tap	2	-

2	703149	Screw, flg, M6 x 16 torx	6	-
3	4G43-F218A01-CB	Cable Assy	2	-
4	4G43-221A00-CA	Cable Assy	2	-
5	4G43-226A28-AE	Door Handle	2	6.5MY
-	7G43-226A28-AD	Handle, door, external, front	2	-
6	4G43-22404-AE	Handle blade	2	-
7	4G43-224A68-AA	Pin	2	-
8	8D33-F21982-BA	Striker, door, offset	2	-
9	700610	Screw, M8 x 25	4	-
10	4G43-65-10059	Clip, plastic	1	-
11	4G43-22058-AB	Shim	2	-
12	4G43-224A72-AG	Lens, dummy light, door handle	2	-

DB9
01 BODY SYSTEM



August 2007
011404-B2
Front Door Latch, RHD

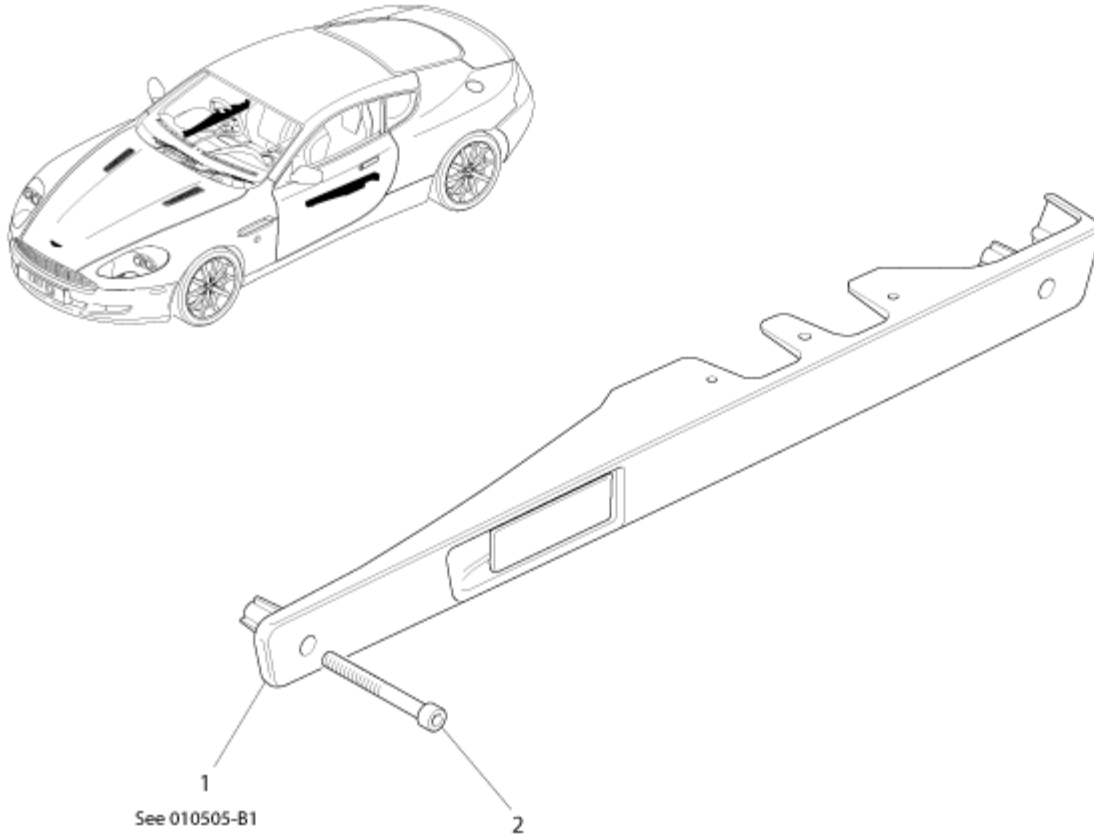
Front Door Latch, RHD

Item	Part Number	Description	Qty	Remarks
1	4G43-21812-AC	Latch Assy, RH	1	07MY
-	8G43-21812-AA	Latch Assy, RH	1	08MY
-	4G43-21813-AC	Latch Assy, LH	1	07MY
-	8G43-21813-AA	Latch Assy, LH	1	08MY
-	703981	Screw, M4 x 10, torx pan tap	2	-
2	703149	Screw, flg, M6 x 16 torx	6	-
3	4G43-F218A01-CB	Cable Assy	2	-
4	4G43-F218B24-AB	Cable Assy	2	-
-	4G43-F218B25-AB	Cable Assy	1	-

5	4G43-221A00-CA	Cable Assy	2	-
6	4G43-226A28-AE	Door Handle	2	6.5MY
-	7G43-226A28-AD	Handle, door, external, front	2	-
7	4G43-22404-AE	Handle blade	2	-
8	4G43-224A68-AA	Pin	2	-
9	8D33-F21982-BA	Striker, door, offset	2	-
10	700610	Screw, M8 x 25	4	-
-	703612	Nut/washer, M6, handles to door	6	-
-	4G43-22058-AB	Shim	2	-
-	4G43-224A72-AG	Lens, dummy light, door handle	2	-

DB9 - BODY SYSTEM

DB9
01 BODY SYSTEM



July 2008
011404-B3
Handle Assy

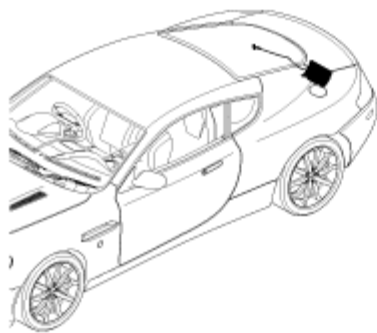
Handle Assy

Item	Part Number	Description	Qty	Remarks
1	4G43-22614-AD	Handle assy, front door, RH	1	Platinum 07MY
-	4G43-22614-AE	Handle assy, front door, RH	1	Platinum 08MY
-	4G43-22615-AD	Handle assy, front door, LH	1	Platinum 07MY
-	4G43-22615-AE	Handle assy, front door, LH	1	Platinum 08MY
-	6G33-22614-AB	Handle assy, front door, RH	1	Anthracite 07MY
-	6G33-22615-AB	Handle assy, front door, LH	1	Anthracite 07MY

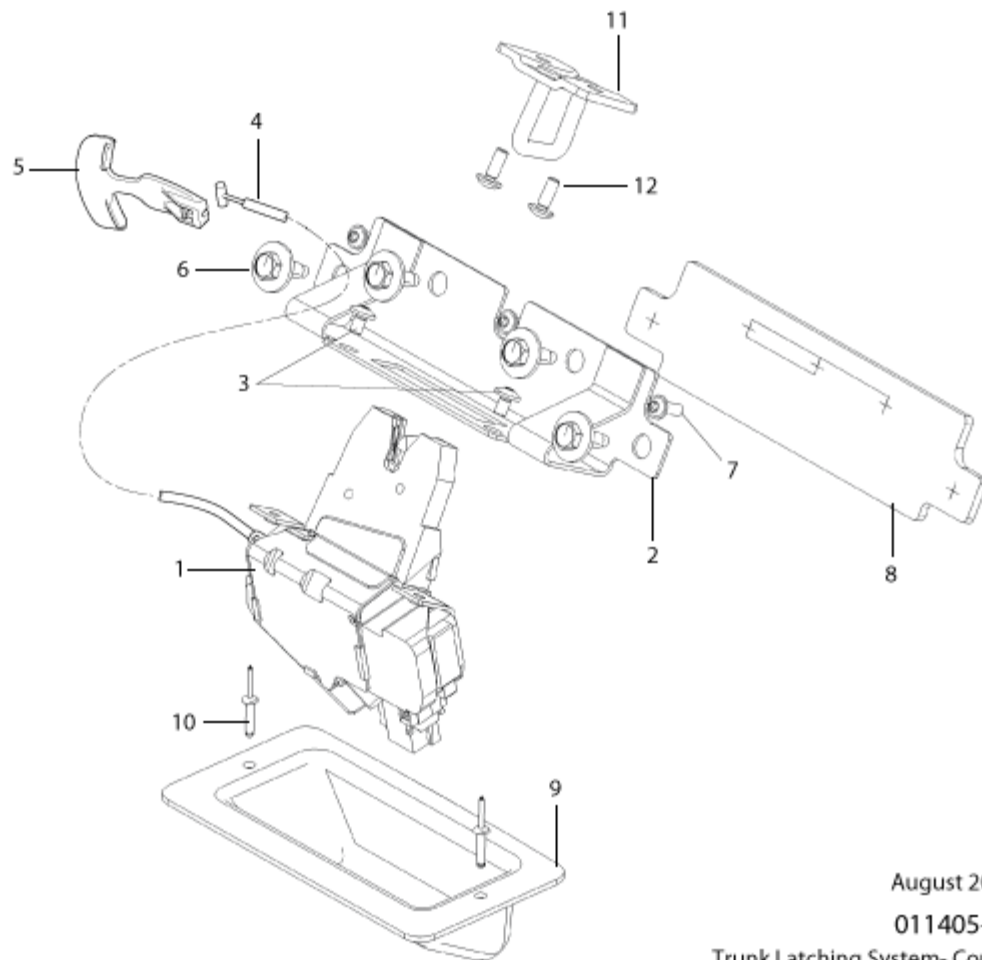
-	9G43-22614-AA	Handle assy, front door, RH	1	Iridium Silver
-	9G43-22615-AA	Handle assy, front door, LH	1	Iridium Silver
2	4G43-104081-BA	Screw, M4 x 12	2	-

[Contents](#)

DB9 - BODY SYSTEM



DB9
01 BODY SYSTEM



August 2007
011405-B1
Trunk Latching System- Coupe

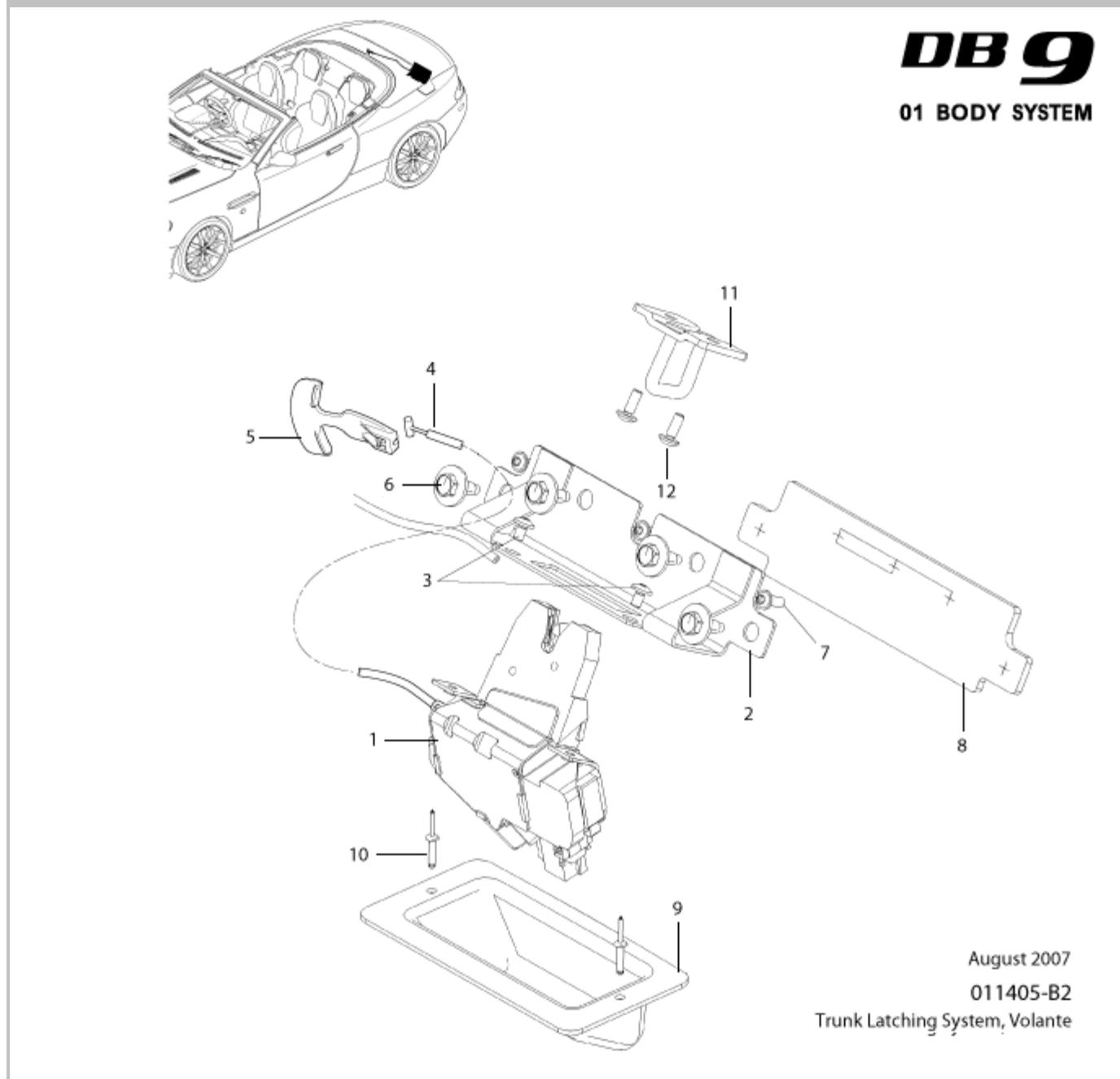
Trunk Latching System, Coupe

Item	Part Number	Description	Qty	Remarks
1	4G43-67-10813	Latch assy, trunk	1	-
-	4G43-434A28-AA	Gasket, latch assy	1	-
2	4G43-433A32-AD	Reinforcement, latch	1	-

3	703278	Bolt, flg, M6 x 10	2	-
4	NSS	Cable - Part of item 1	1	-
5	1R12-67-10146	Emergency handle	1	-
6	700123	Screw, flg, M8 x 20	4	07MY
-	703121	Screw, flg, M8 x 20	4	08MY
7	701454	Screw, M6 x 16	3	07MY
-	703149	Screw, M6 x 16	3	08MY
8	4G43-32366-AA	Gasket, trunk lock	1	-
9	4G43-432A30-AB	Cover	1	-
10	701580	Rivet dome head	2	07MY
11	4G43-404A42-AC	Striker assy, trunk	1	-
12	701454	Screw M6 pan head	2	07MY
-	703149	Screw, M6 x 16	2	08MY
-	1R12-37-10452	Switch, deck lid rel, exterior	1	Federal

[Contents](#)

DB9 - BODY SYSTEM



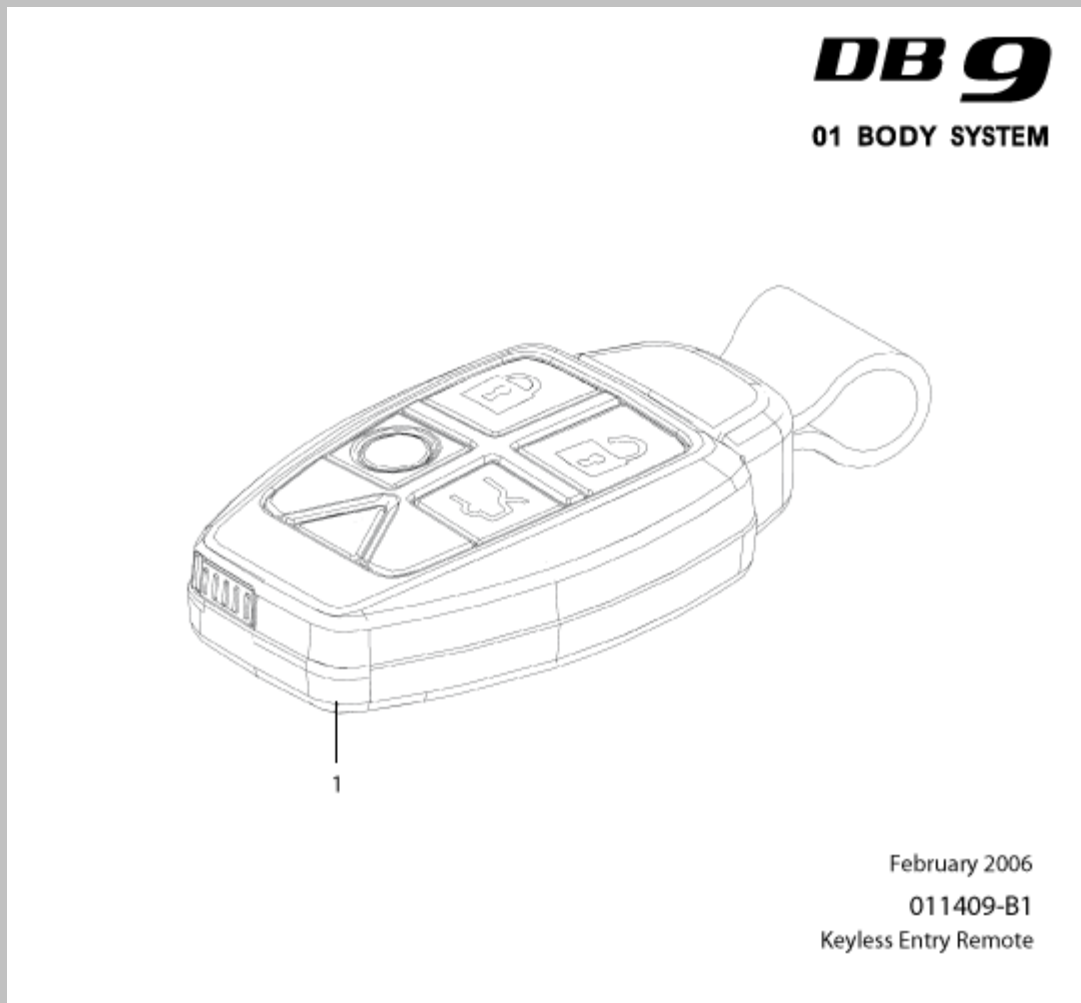
Trunk Latching System, Volante

Item	Part Number	Description	Qty	Remarks
1	4G43-67-10813	Latch assy, trunk	1	-
-	4G43-434A28-AA	Gasket, latch assy	1	-
2	4G43-433A32-AD	Reinforcement, latch	1	-
3	703278	Bolt, flg, M6 x 10	2	-

4	NSS	Cable - Part of item 1	1	-
5	1R12-67-10146	Emergency handle	1	-
6	700123	Screw, flg, M8 x 20	4	07MY
-	703121	Screw, flg, M8 x 20	4	08MY
7	701454	Screw, M6 x 16	3	07MY
-	703149	Screw, M6 x 16	3	08MY
8	4G43-32366-AA	Gasket, trunk lock	1	-
9	4G43-432A30-AB	Cover	1	-
10	701580	Rivet dome head	2	07MY
11	4G43-404A42-AC	Striker assy, trunk	1	-
12	701454	Screw M6 pan head	2	07MY
-	703149	Screw, M6 x 16	2	08MY
-	1R12-37-10452	Switch, deck lid rel, exterior	1	Federal

[Contents](#)

DB9 - BODY SYSTEM

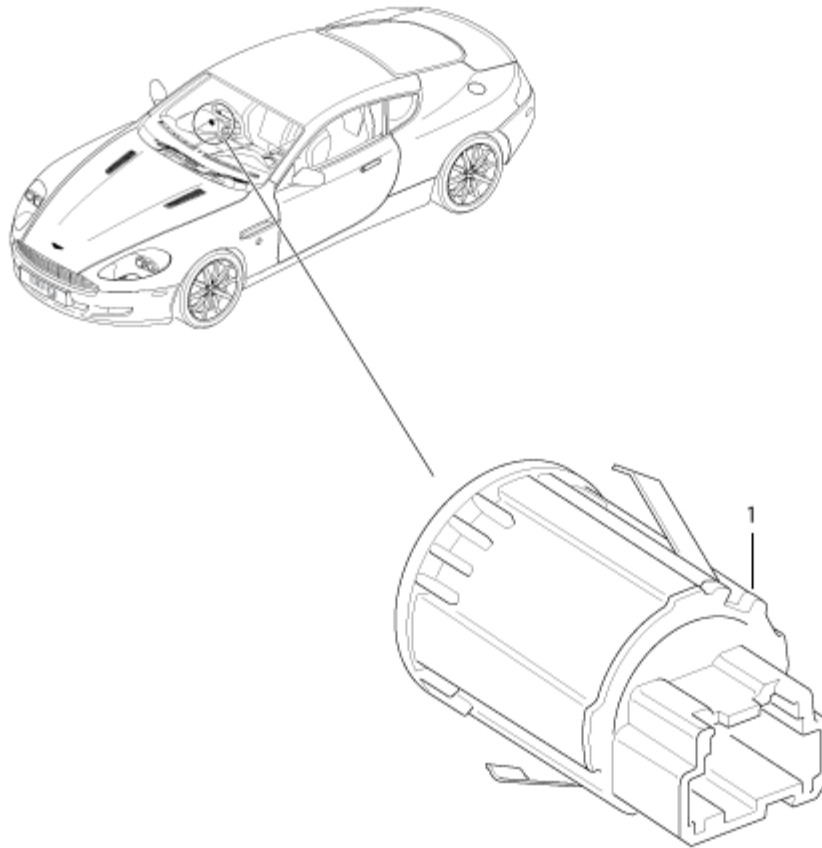


Keyless Entry Remote

Item	Part Number	Description	Qty	Remarks
1	4G43-70290-AD	Keyless Entry Remote	2	Europe, supplied as a pair
-	4G43-70290-BD	Keyless Entry Remote	2	USA, supplied as a pair
-	4G43-70290-CD	Keyless Entry Remote	2	Japan, supplied as a pair

[Contents](#)

DB9 Body System



DB9

01 BODY SYSTEM

January 2006

011409-D1

Reduced Guard Switch, RHD

Reduced Guard Switch, RHD

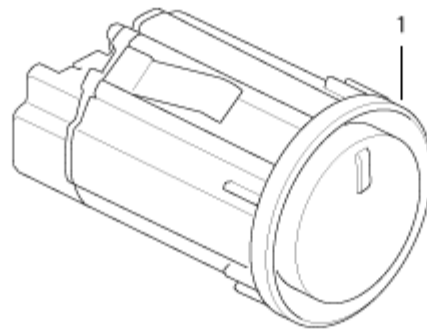
Item	Part Number	Description	Qty	Remarks
1	6G33-19L538-AA	Reduced Guard Switch	1	-

[Contents](#)

DB9 Body System

DB9

01 BODY SYSTEM



January 2006

011409-D2

Reduced Guard Switch, LHD

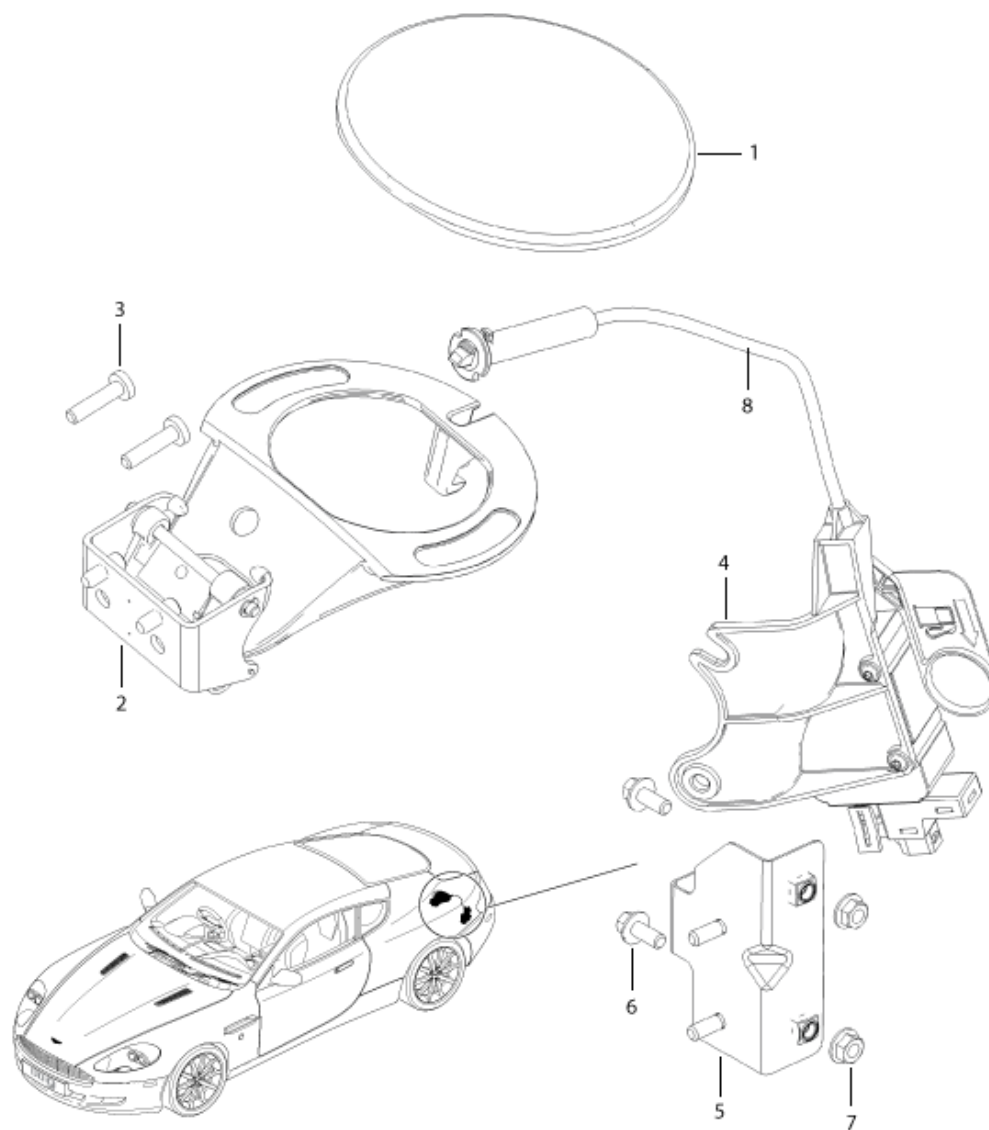
Reduced Guard Switch, LHD

Item	Part Number	Description	Qty	Remarks
1	6G33-19L538-AA	Reduced Guard Switch	1	-

[Contents](#)

DB9 - BODY SYSTEM

DB9
01 BODY SYSTEM



August 2007

011410-B1

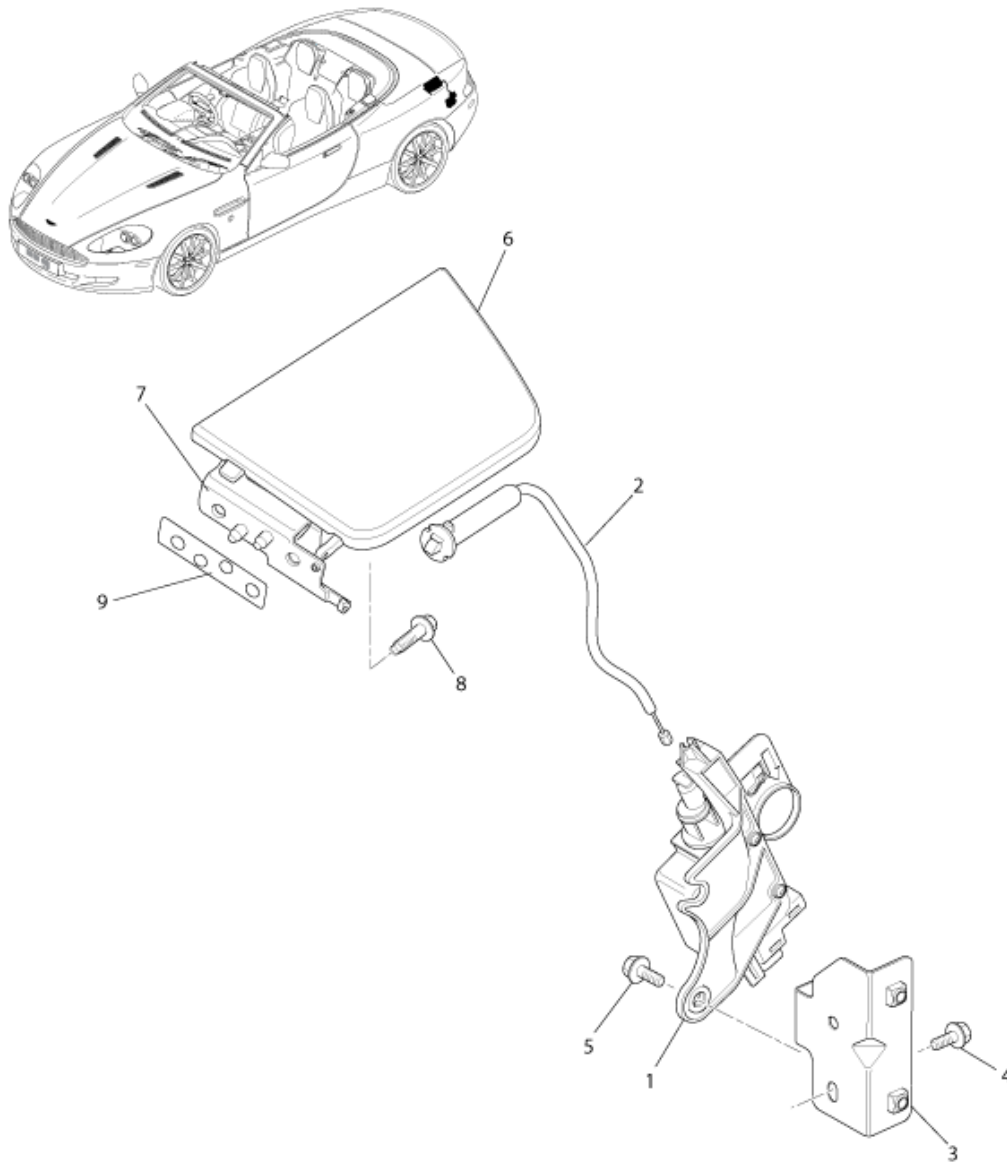
Fuel Filler Door Latches & Mechanisms, Coupe

Fuel Filler Door Latches & Mechanisms, Coupe

Item	Part Number	Description	Qty	Remarks
1	4G43-C405A02-AD	Fuel Filler Door Opening	1	-
2	4G43-C405B96-AC	Latch assy, fuel filler	2	-
3	699842	Screw, M6	2	07MY
-	703149	Screw, M6 x 16	2	08MY
4	4G43-37-10067	Actuator	1	-
5	4G43-9N447-AB	Bracket	1	-

6	700211	Screw, flg, M6 x 14	2	Solenoid to bracket 07MY
-	703264	Screw, flg, M6 x 14	2	Solenoid to bracket 08MY
7	701170	Nut, flg, M6	2	Solenoid to bracket 07MY
-	703163	Nut, flg, M6	2	Solenoid to bracket 08MY
8	4G43-68-10703	Cable	1	-
-	4G43-14605-AA	Grommet, rubber	1	-
-	4G43-46662-AA	Washer, spacing 2mm	2	-

DB9
01 BODY SYSTEM



September 2008

011410-B2

Fuel Filler Door Latches & Mechanisms, Volante

Fuel Filler Door Latches & Mechanisms, Volante

Item	Part Number	Description	Qty	Remarks
1	4G43-37-10067	Actuator	1	-
2	4G43-68-10703	Cable	1	-
3	4G43-9N447-AB	Bracket	1	-
4	700211	Screw, flg, M6 x 14	2	Solenoid bracket to body 07MY
-	703264	Screw, flg, M6 x 14	2	Solenoid bracket to body 08MY
-	701170	Nut, flg, M6	2	Solenoid bracket to body 07MY
-	703163	Nut, flg, M6	2	Solenoid bracket to body 08MY

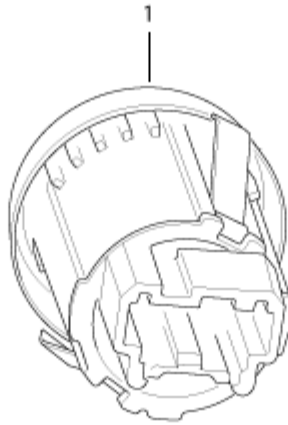
5	700211	Screw, flg, M6 x 14	2	Solenoid to bracket 07MY
-	703264	Screw, flg, M6 x 14	2	Solenoid to bracket 08MY
6	4G43-L405A02-AG	Door, fuel filler opening	1	Volante
7	4G43-L405B96-AC	Latch, fuel filler door	1	-
8	701454	Screw, flg, M6 x 16	2	07MY
-	703149	Screw, flg, M6 x 16	2	08MY
9	4G43-28630-AA	Gasket, fuel filler mount	1	Volante

[Contents](#)

DB9 Body System

DB9

01 BODY SYSTEM



January 2006

011410-D1

Fuel Flap Release Switch, LHD

Fuel Flap Release Switch, LHD

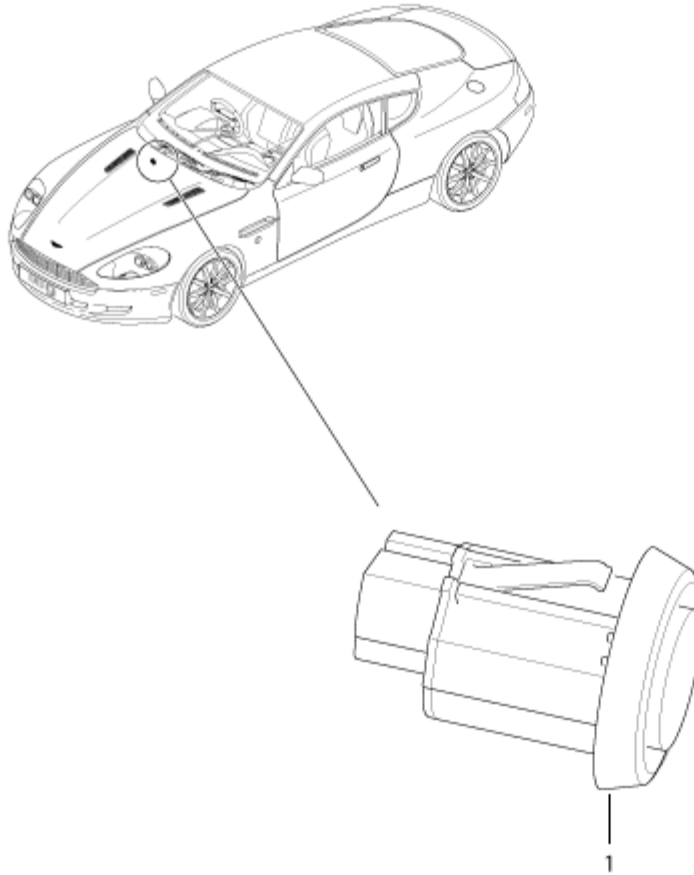
Item	Part Number	Description	Qty	Remarks
1	6G33-9B242-AA	Fuel Flap Release Switch	1	-

[Contents](#)

DB9 Body System

DB9

01 BODY SYSTEM



January 2006
011410-D2
Fuel Flap Release Switch RHD

Fuel Flap Release Switch, RHD

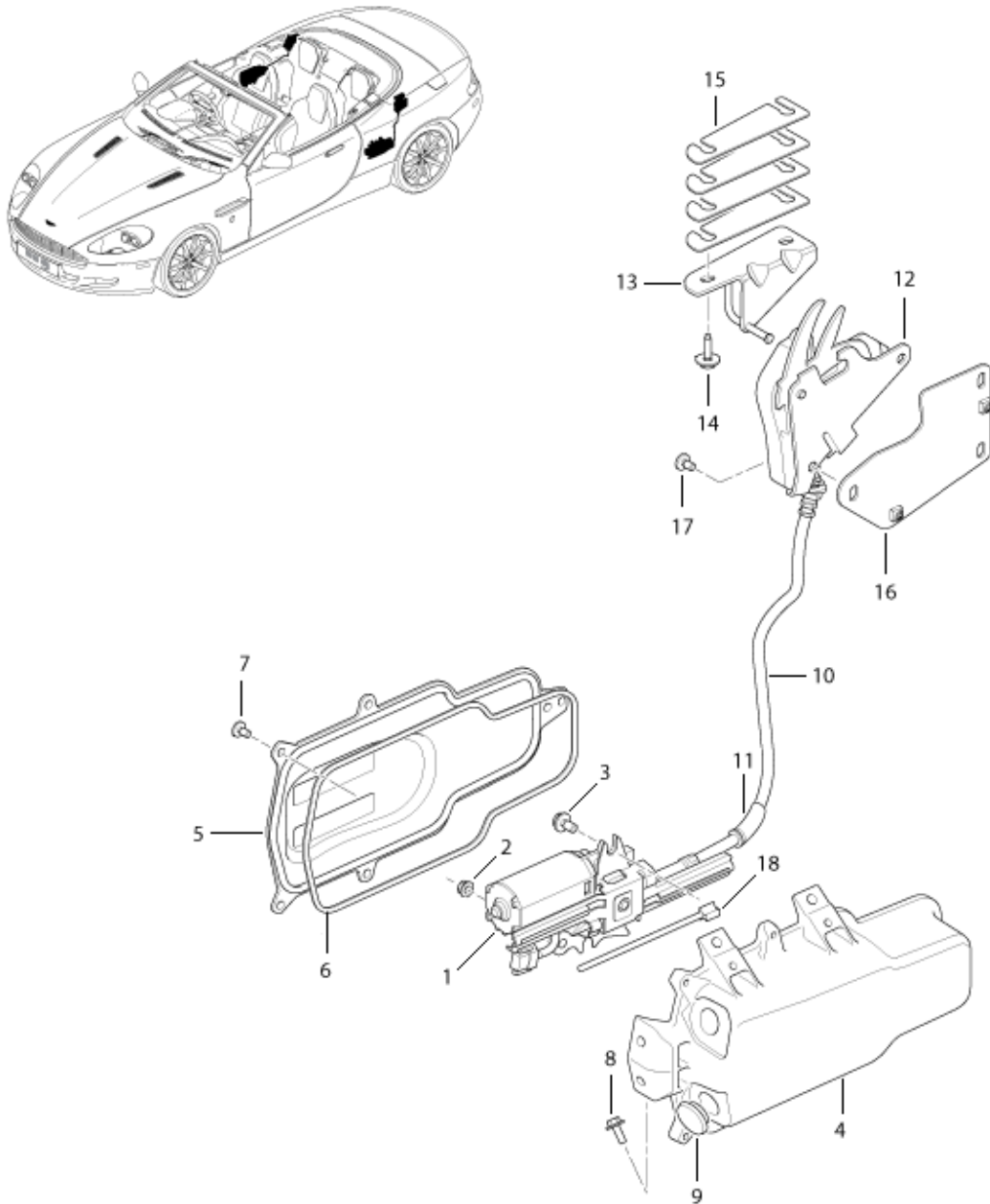
Item	Part Number	Description	Qty	Remarks
1	6G33-9B242-AA	Fuel Flap Release Switch	1	-

[Contents](#)

DB9 - BODY SYSTEM

DB9

01 BODY SYSTEM



August 2007

011411-B1

Tonneau Latching System, Volante

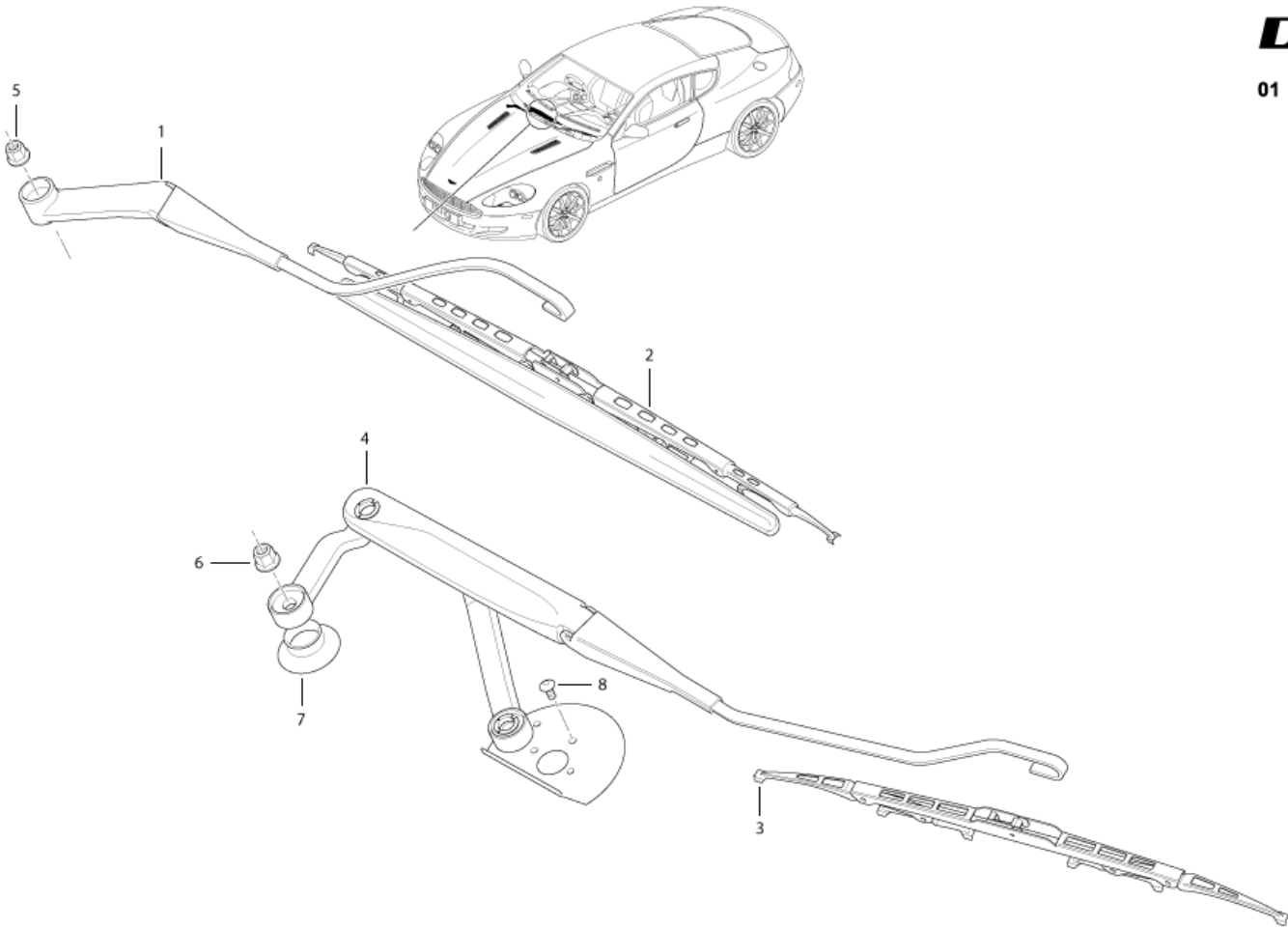
Tonneau Latching System, Volante

Item	Part Number	Description	Qty	Remarks
1	4G43-37-10477	Motor, tonneau, latch	2	-

2	701170	Nut, flg, M6	2	07MY
-	702944	Nut, flg, M6	2	08MY
3	701196	Screw / washer M6 x 16	6	07MY
3	703151	Screw / washer M6 x 16	6	08MY
4	4G43-68009-AD	Enclosure, tonneau latch motor	2	-
5	4G43-53548-AC	Lid, tonneau latch motor assy	2	-
6	4G43-3956-AB	Seal, tonneau latch motor	2	-
7	W505972-S424	Screw, M6 x 12, pan	7	-
8	702839	Screw / washer M6 x 16	6	-
9	4G43-301347-AA	Plug, tonneau latch box	2	-
10	4G43-53922-AB	Drive cable, tonneau latch	2	-
11	4G43-6C691-AD	Grommet sleeve, cable	2	-
12	4G43-54797-AB	Latch, tonneau, LH	1	-
-	4G43-54796-AB	Latch, tonneau, RH	1	-
13	4G43-53975-AD	Striker assy, tonneau cover, LH	1	-
-	4G43-53974-AD	Striker assy, tonneau cover, RH	1	-
14	701350	Screw, M6 x 20	6	07MY
-	703152	Screw, M6 x 20	6	08MY
15	4G43-431F59-AC	Shim, lower latch striker plate	A/R	-
16	4G43-L43161-AC	Mounting plate, tonneau latch, LH	1	-
-	4G43-L43160-AC	Mounting plate, tonneau latch, RH	1	-
-	700099	Screw, flg, M6 x 20 plate to body	6	07MY
-	703203	Screw, flg, M6 x 20 plate to body	6	08MY
17	700273	Button torx washer assy	4	07MY
-	703143	Button torx washer assy	4	08MY
-	8625471	Cable guide	2	-
18	4G43-53923-AA	Worm cable	2	-
-	4G43-4S018-AA	Mounting bracket, tonneau cover bump stop, RH	1	-
-	4G43-4S017-AA	Mounting bracket, tonneau cover bump stop, LH	1	-
-	701179	Screw flg, M6 x 12, bump stop bracket	6	07MY
-	700606	Screw flg, M6 x 12, bump stop bracket	6	08MY
-	4G43-501A14-AB	Mounting bracket, tonneau latch motor, RH	1	-
-	4G43-501A15-AB	Mounting bracket, tonneau latch motor, LH	1	-
-	4G43-239600-AA	Guide clip, tonneau motor cable	2	-
-	4G43-16K808-AA	Buffer assy, tonneau bump stop	2	-
-	701170	Nut, flg, M6, tonneau bump stop	2	07MY
-	702944	Nut, flg, M6, tonneau bump stop	2	08MY
-	4G43-49198-AA	Shim, 2mm, tonneau hinge	2	-
-	4G43-49199-AA	Shim, 1mm, tonneau hinge	4	-
-	4G43-49200-AA	Shim, 0.5mm, tonneau hinge	4	-

DB9

01 BODY SYSTEM



August 2007
011601-B2
Wiper Blade Assy

Wiper Blade Assy

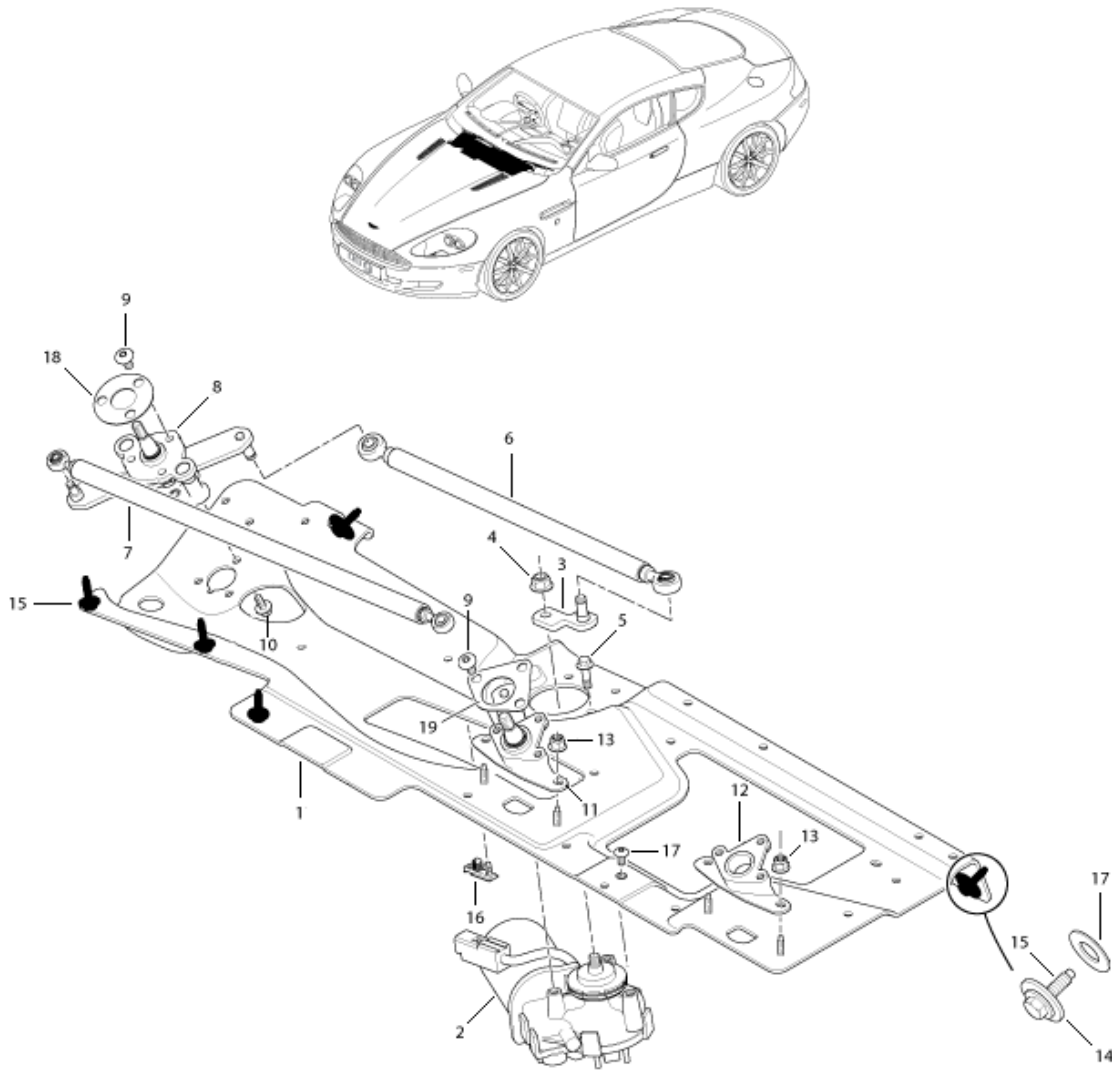
Item	Part Number	Description	Qty	Remarks
1	4G43-17526-DE	Arm assy, wiper, RH	1	RHD
-	4G43-17526-CE	Arm assy, wiper, RH	1	LHD
2	4G43-01-10300	Blade assy, RH	1	RHD
-	4G43-37-10104	Blade assy, LH	1	LHD
3	4G43-17B437-BC	Blade assy wiper, LH	1	RHD
-	4G43-17528-AC	Blade assy wiper, RH	1	LHD
4	4G43-17527-DE	Arm assy wiper, LH	1	RHD
-	4G43-17527-CE	Arm assy, wiper, LH	1	LHD
5	703161	Nut M8	1	-
6	699838	Nut, flg, M10	2	07MY
-	703160	Nut, flg, M10	2	08MY
7	4G43-17D559-AA	Seal, Windscreen wiper spindle	1	-
8	703085	Bolt, M6 x 12	4	-
		To ensure compatibility, wiper arms should be serviced in pairs		-

[Contents](#)

DB9 - BODY SYSTEM

DB9

01 BODY SYSTEM



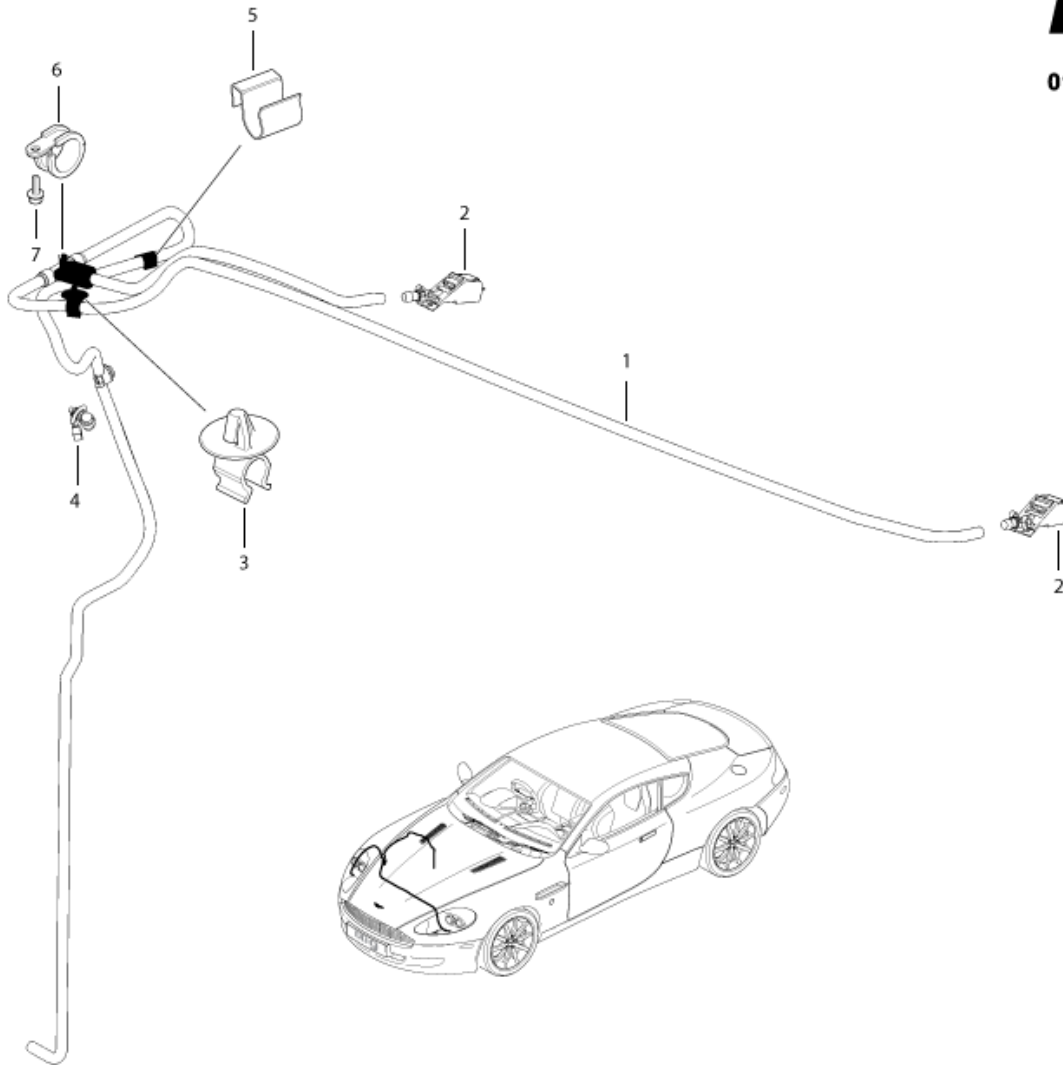
February 2008
011602-B2
Wiper Linkage Assy

Wiper Linkage Assy

Item	Part Number	Description	Qty	Remarks
-	4G43-17504-DG	Linkage Assy, Wiper, RHD	1	-
-	4G43-17504-CG	Linkage Assy, Wiper, LHD	1	-
1	4G43-F02030-BM	Cowl, Top Inner, RHD	1	-
-	4G43-F02030-AM	Cowl, Top Inner, LHD	1	-
2	1R12-372156-AA	Motor Assy	1	-
3	4G43-17504-AA-PIA050	Crank lever, Motor	1	-
4	703739	Nut, M8	1	-

5	700607	Screw, flg, M6 x 20	3	-
6	4G43-17504-AB PIA041	Link, RHD	1	-
7	4G43-17504-AB PIA061	Link, RHD	1	-
8	4G43-17504-BC PIA010	Pivot Assy	1	-
9	703085	Bolt, M6 x 12	7	-
10	702600	Screw, thread frm, M6 x 12	3	-
11	4G43-17504-AC PIA021	Pivot Assy, idler	1	-
12	4G43-17504-AC PIA031	Pivot Assy, driven	1	-
13	701340	Nut, M6	4	-
14		Washer	4	-
15	702839	Screw & Washer	7	-
16	6G43-01-10042	Connector retainer	1	-
17	8G33-6078574-AA	Washer, flat, 12.9 x 22.2 x 1.5 nylon	4	-
18	4G43-17C580-AA	Shim, wiper, driver pivot mount	A/R	-
19	4G43-17C580-BA	Shim, wiper passenger, pivot mount	A/R	-

DB9
01 BODY SYSTEM



August 2007
011603-B4
Washer Nozzle Assy

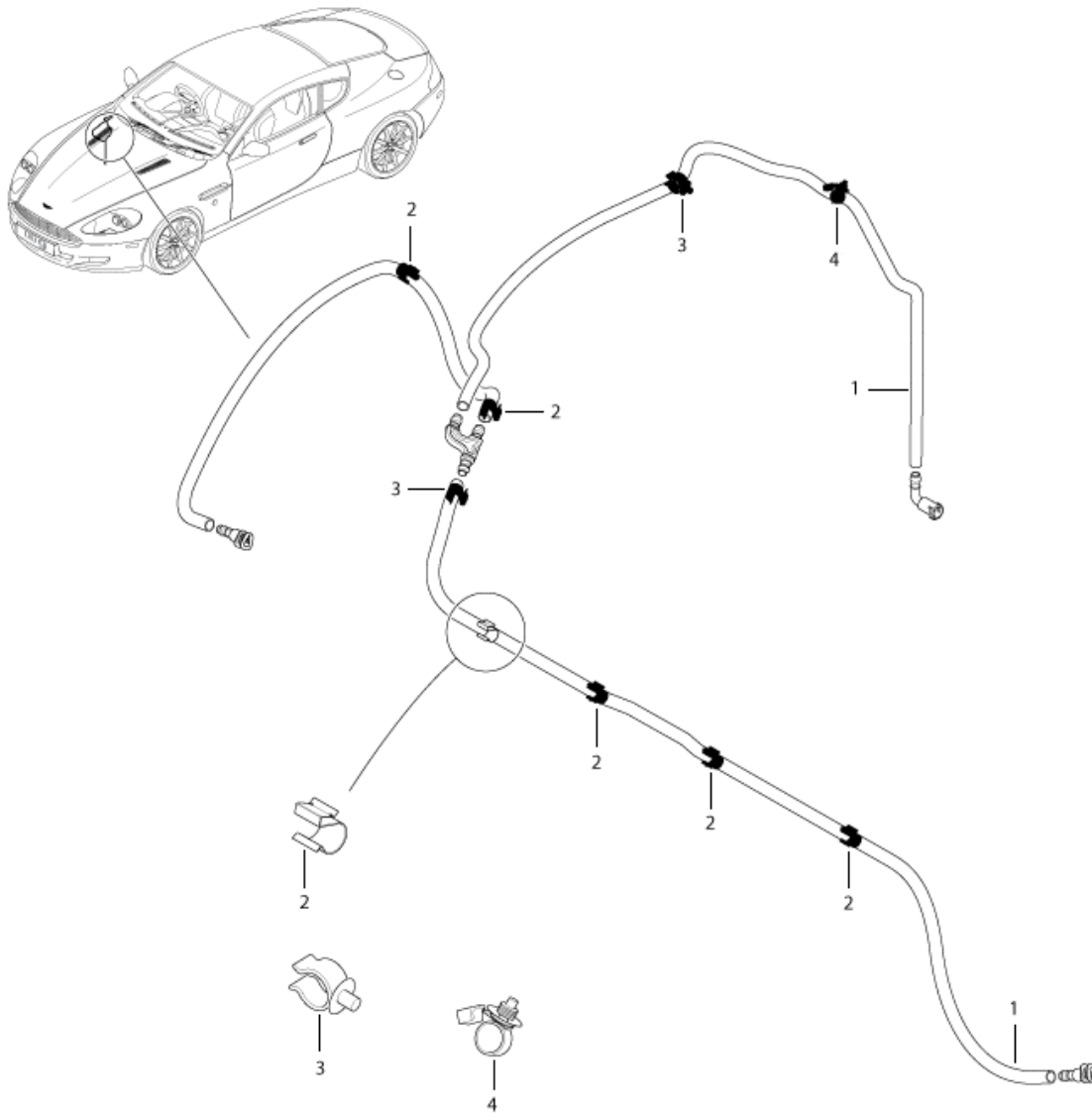
Washer Nozzle Assy

Item	Part Number	Description	Qty	Remarks
1	4G43-17Z605-AC	Tube windshield wash	1	-
2	4G43-17666-AA	Jet Assy	2	-
3	701617	Clip	1	-
4	4G43-65-10059-PK	Clip	1	-
5	4G43-17Z605-AB PIA10	Clip	1	-
6	694891	Clip P, 10mm	1	-
7	701454	Screw, M6 x 16 pan flg torx	1	07MY
-	703149	Screw, M6 x 16 pan flg torx	1	08MY

[Contents](#)

DB9 Body System

DB9
01 BODY SYSTEM



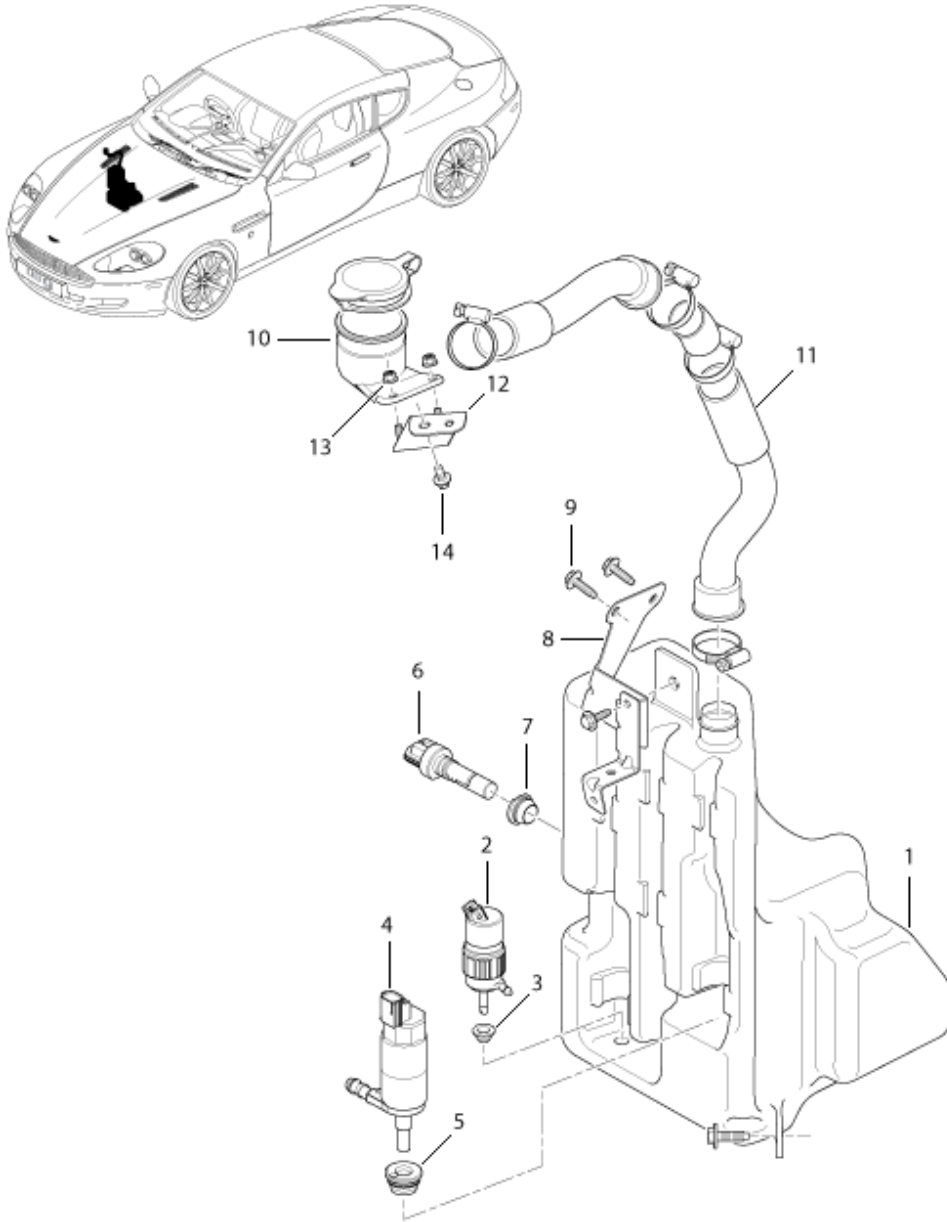
August 2007
011604-B1
Head Lamp Power Wash Assy

Head Lamp Power Wash Assy

Item	Part Number	Description	Qty	Remarks
1	4G43-13C100-AE	Tube, headlamp wash	1	-
2	4G43-13C100-A PIA005	Spring Clip	5	-
3	701572	Push-in Clip	2	-
4	4G43-65-10059	Strap Clip/Cable	1	-

[Contents](#)

DB9 - BODY SYSTEM



DB9
01 BODY SYSTEM

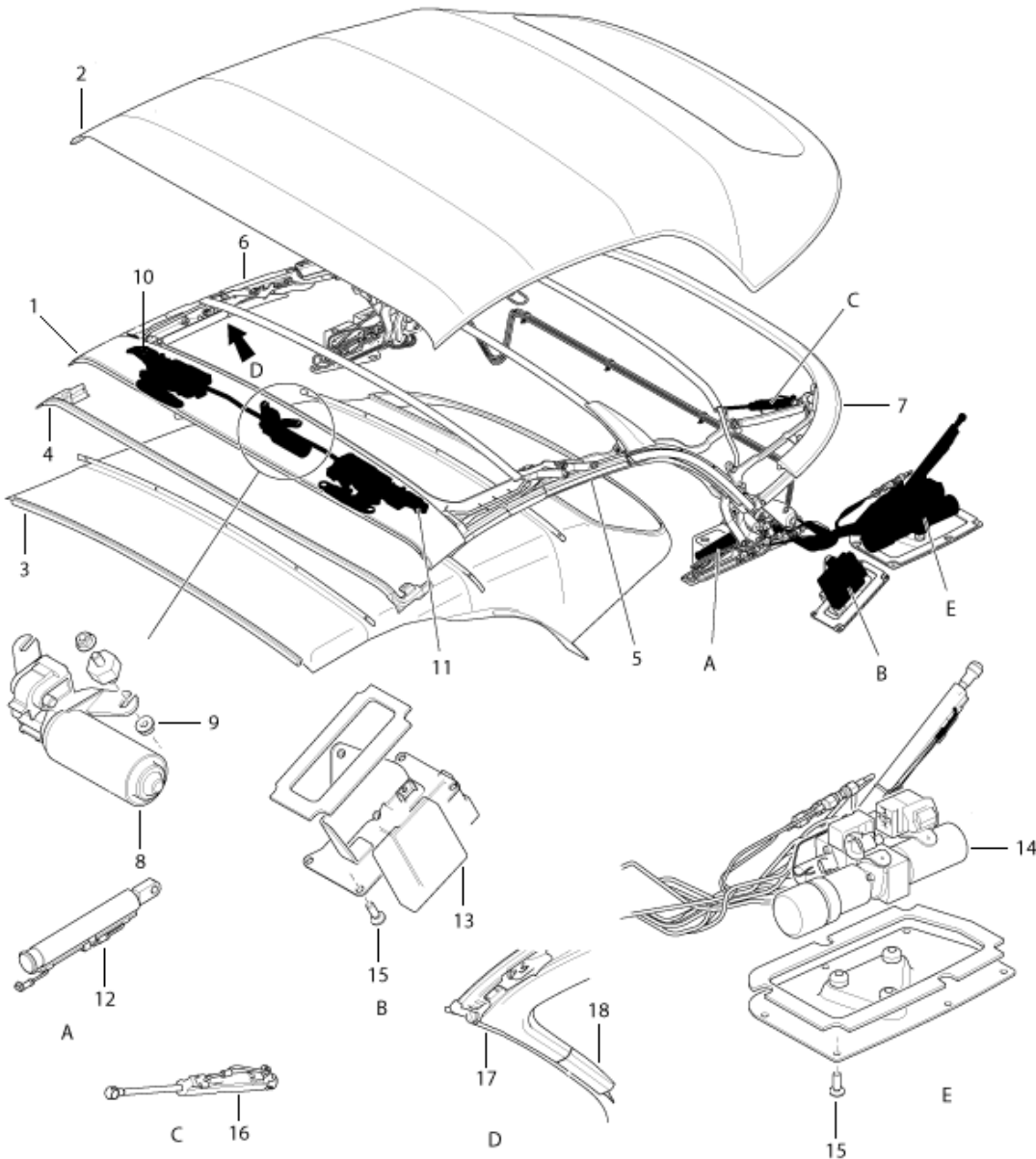
August 2007
011604-B2
Head Lamp Washer Assy

Head Lamp Washer Assy

Item	Part Number	Description	Qty	Remarks
1	4G43-17B613-AC	Reservoir & motor assy	1	-
2	4G43-01-10304	Motor & pump assy, Windscreen wash	1	-
3	NSS	Seal, mono pump	1	-

4	4G43-01-10305	Motor & Pump assy, Head Lamp wash	1	-
5	NSS	Grommet, Pump	1	-
6	4G43-01-10306	Sensor, Low Level Water	1	-
7	NSS	Grommet, L.W.L.S.	1	-
8	4G43-17614-AB	Bracket Assy	1	-
9	702839	Screw/ Washer, M6 x 20	5	-
10	4G43-13K175-AC	Filler neck assy, Windscreen washer reservior	1	-
11	4G43-13K175-AB PIA01	Filler Neck Tube	1	-
12	4G43-17C625-AC	Bracket, Filler Neck	1	-
13	702295	Nut, flg, M5	2	-
14	701620	Screw, M6 x 10 pan head torx	2	07MY
-	703266	Screw, M6 x 10 pan head torx	2	08MY
-	4G43-M8B17-BA	Fluid, windscreen wash, 1.0 Lr	A/R	-

DB9
01 BODY SYSTEM



March 2008
011702-B3
Volante Top Assy

Volante Top Assy

Item	Part Number	Description	Qty	Remarks
-	4G43-76501B00-AG	Top assy folding, complete	1	07MY
-	8G43-76501B00-AA	Top assy folding, complete	1	08MY
-	9G43-76501B00-AB	Top assy folding, complete	1	09MY
1	4G43-70355-AA	Frame, folding top	1	-
-	9G43-70355-AA	Frame, folding top	1	09MY
-	9G43-70351-AA	Kit, canopy cover	1	Black

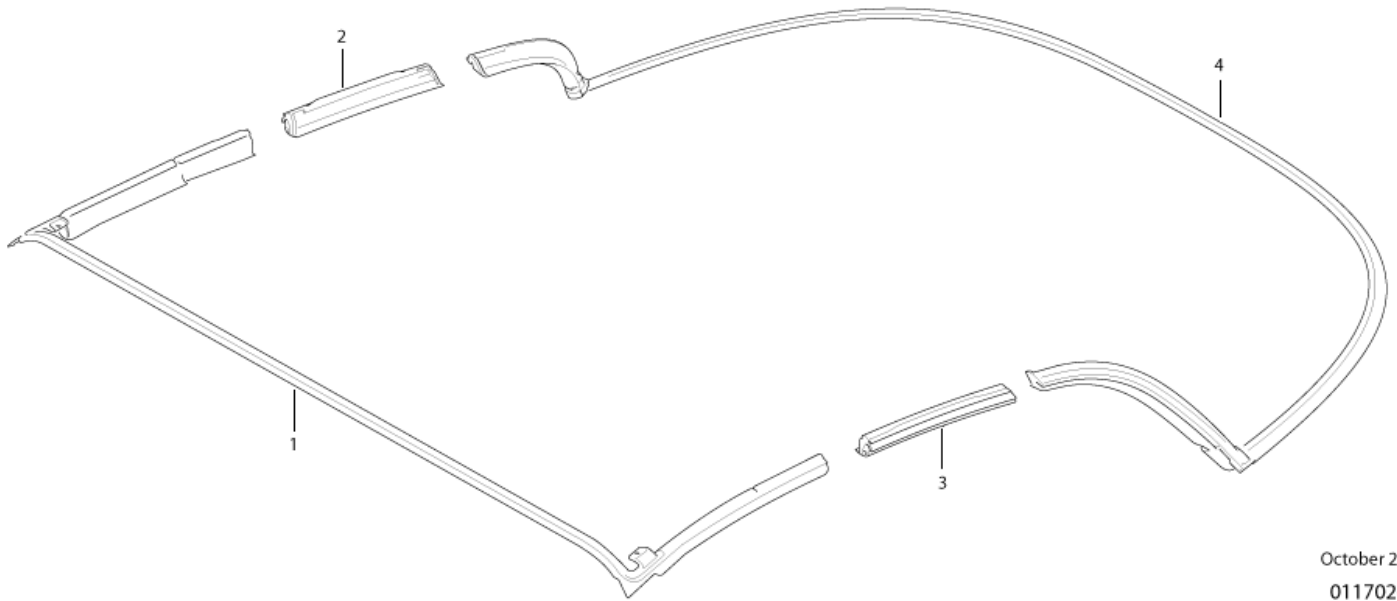
-	9G43-70351-BA	Kit, canopy cover	1	Atlantic blue
-	9G43-70351-CA	Kit, canopy cover	1	Java/ Sandstone
-	9G43-70351-DA	Kit, canopy cover	1	Westminster green
-	9G43-70351-EA	Kit, canopy cover	1	Titan grey
-	9G43-70351-FA	Kit, canopy cover	1	Burgundy
-	9G43-70351-GA	Kit, canopy cover	1	Singed brown
-	4G43-74480-AA	Blind rivet	8	Per canopy cover kit
-	4G43-1005038-AA	Spring clip	4	Per canopy cover kit
-		Butyl Strip	2	Per canopy cover kit
3	4G43-70352-AA	Inner lining	1	Obsidian black
-	9G43-70352-AB	Inner lining	1	Obsidian black 09MY
-	4G43-70352-BA	Inner lining	1	Ivory
-	9G43-70352-BB	Inner lining	1	Ivory 09MY
-	4G43-70352-CA	Inner lining	1	Moon shadow
-	9G43-70352-CB	Inner lining	1	Moon shadow 09MY
-	4G43-70352-DA	Inner lining	1	Tailors grey
-	9G43-70352-DB	Inner lining	1	Tailors grey 09MY
-	9G43-70352-EB	Inner lining	1	Tan 09MY
4	4G43-L51210-AA	Seal, front kit assy	1	-
-	4G43-L51338-AA	Weatherstrip f/top hdr front cantrail	1	Per kit
-	4G43-78380-AA	Screw, self cutting FH	2	Per kit
-	4G43-1004355-AA	Screw, self cutting FH	8	Per kit
-	4G43-1001991-AA	Nut/washer M5	4	Per kit
-	4G43-75999-AA	Washer, shim	6	Per kit
-		Seal Holder 1, LH	1	Per kit
-		Seal Holder 1, RH	1	Per kit
-		Butyl Strip	2	Part of 4G43-L51210-AA
5	4G43-L51220-AA	Seal, kit assy, middle, LH	1	-
-	4G43-L51339-BA	Seal, F/Top cantrail No 2 LH	1	Per ki
-	4G43-75999-AA	Washer, shim	6	Per kit
-	4G43-1001991-AA	Nut, washer M5	4	Per kit
-		Seal Holder 2, LH	1	Per kit
6	4G43-L51221-AA	Seal, kit assy, middle RH	1	-
-	4G43-L51338-BA	Seal, f/top cantrail No 2 RH	1	Per kit
-	4G43-75999-AA	Washer, shim	6	Per kit
-	4G43-1001991-AA	Nut/washer, M5	4	Per kit
-		Seal Holder 2, RH	1	Per kit
7	4G43-L51230-AA	Seal kit assy, rear	1	-
-	4G43-L51338-CC	Weather Strip f/top mainpost	1	Tension Bow
-	4G43-74480-AA	Rivet, blind	8	Part of 4G43-L51230-AA
-		Seal Holder 3, LH	1	Per kit
-		Seal Holder 3, RH	1	Per kit

-		Seal Holder, Tension bow	1	Per kit
-		Self Cutting Screw, Tension Bow	23	Per kit
-		Bracket Seal, Tension bow	2	Per kit
8	4G43-L51240-AA	Motor assy,latch CG kit	1	-
9	4G43-69832-AA	Nut, M6 Hex Head	8	Per kit
-		Rubber Bumper	2	Per kit
-		Bracket, Motor	1	Per kit
-		Vibration Isolator	1	Per kit
-		Cable Tie	1	Per kit
-		Motor Comp GRP	1	Per kit
10	4G43-L51270-AA	Latching Kit, Automatic, RH	1	-
-		Latch Base Plate, RH	1	Per kit
-		Hook Catch Lock, RH	1	Per kit
-		Location Pin	1	Per kit
-		O-Ring	1	Per kit
-		Guide Arm AG, RH	1	Per kit
-		Link Lever AG, RH	1	Per kit
-		Locking Cam CG, RH	1	Per kit
-		Slider CG, RH	1	Per kit
-		OVR CTR Hook, RH	1	Per kit
-		Tie Rod CG, RH	1	Per kit
-		Spindle Assy	1	Per kit
11	4G43-L51260-AA	Latching Kit, Automatic, LH	1	-
-		Latch Base Plate, LH	1	Per kit
-		Hook Catch Lock, LH	1	Per kit
-		Location Pin	1	Per kit
-		O-Ring	1	Per kit
-		Guide Arm AG, LH	1	Per kit
-		Link Lever AG, LH	1	Per kit
-		Locking Cam CG, LH	1	Per kit
-		Slider CG, LH	1	Per kit
-		OVR CTR Hook, LH	1	Per kit
-		Tie Rod CG, LH	1	Per kit
-		Spindle Assy	1	Per kit
-		Latch Wiring Harness	1	Per kit
12	4G43-50638-AA	Cylinder, Hydraulic, RH	2	Main Actuator
-	4G43-50639-AA	Cylinder, Hydraulic, LH	2	Main Actuator
13	9G43-L53085-AD	ECU folding top	1	08MY
14	4G43-9G803-AD	Pump Assy, Hydraulic	1	-
15	702637	Screw, M6 x 20 button head	9	-
16	4G43-539A78-AA	Cylinder & Hose assy, RH	1	Main Tensbow
-	4G43-539A79-AA	Cylinder & Hose assy LH	1	Main Tensbow

17	4G43-03508-AA	Cover, trim front	1	Black
-	4G43-03508-BA	Cover, trim front	1	Ivory
-	4G43-03508-CA	Cover, trim front	1	Moon shadow
-	4G43-03508-DA	Cover, trim front	1	Tailor grey
18	4G43-03514-AA	Cover, trim cantrail 2, RH	1	Black
-	4G43-03515-AA	Cover, trim cantrail 2, LH	1	Black
-	4G43-03514-BA	Cover, trim cantrail 2, RH	1	Ivory
-	4G43-03515-BA	Cover, trim cantrail 2, LH	1	Ivory
-	4G43-03514-CA	Cover, trim cantrail 2, RH	1	Moon shadow
-	4G43-03515-CA	Cover, trim cantrail 2, LH	1	Moon shadow
-	4G43-03514-DA	Cover, trim cantrail 2, RH	1	Tailor grey
-	4G43-03515-DA	Cover, trim cantrail 2, LH	1	Tailor grey
-	4G43-1003889-AA	Screw, trim cover bracket	16	-
-	4G43-515A50-AA	Cover, bracket trim	8	-
-	4G43-68326-AA	Screw, M5 trim cover	4	-
-	4G43-F502D41-AA	Belt, Tension CG, LH	1	-
-	9G43-F502D41-AA	Belt, Tension CG, LH	1	09MY
-	4G43-F502D42-AA	Belt, Tension CG, RH	1	-
-	9G43-F502D42-AA	Belt, Tension CG, RH	1	09MY
-	4G43-A502D41-AA	Cable, Tension CG	2	-
-	4G43-10D916-AA	Control Strap	2	-
-	4G43-1012525-AA	Shaft, Flex, LH	1	-
-	4G43-1012524-AA	Shaft, Flex, RH	1	-
-	4G43-69832-AA	Nut, M6 Hex	6	-
-	4G43-1004048-AA	Screw, M6 Pan Head	2	-
-	4G43-1013271-AA	Screw, Pivot Hook	2	-
-	4G43-50641-AA	Pin, Over Centre	1	-
-	4G43-1013272-AA	Clips, White	6	-
-	4G43-1016033-AA	Screw, Self Cutting	8	-
-	4G43-1003920-AA	Screw, Self Cutting	2	-
-	4G43-1005038-AA	Clip, Spring	4	-
-	4G43-75999-AA	Washer, Shim	6	-
-	4G43-78380-AA	Screw, Self Cutting FH	2	-
-	4G43-1004355-AA	Screw, Self Cutting FH	8	-
-	4G43-1001991-AA	Nut, Washer, M5	4	-
-	4G43-74480-AA	Rivet, Blind	8	-
-	4G43-765010-AD	Striker, header, RH	1	-
-	4G43-765011-AC	Striker, header, LH	1	-
-	4G43-765013-AD	Harness kit, latch bracket	1	-
-	4G43-93-10614	Kit, header trim, ivory	1	-
-	4G43-93-10615	Kit, header trm, moonshadow	1	-
-	4G43-93-10616	Kit, header trim, grey	1	-

-	4G43-93-10617	Kit, header trim, black	1	-
-	4G43-37-10685	Harness, roof hydraulics, LH	1	-
-	4G43-37-10686	Harness, roof hydraulics, RH	1	-
-	4G43-93-10506	Oil, hood, 1L bottle		-

DB9
01 BODY SYSTEM



October 2005
011702-B6
Top Seal Moulds

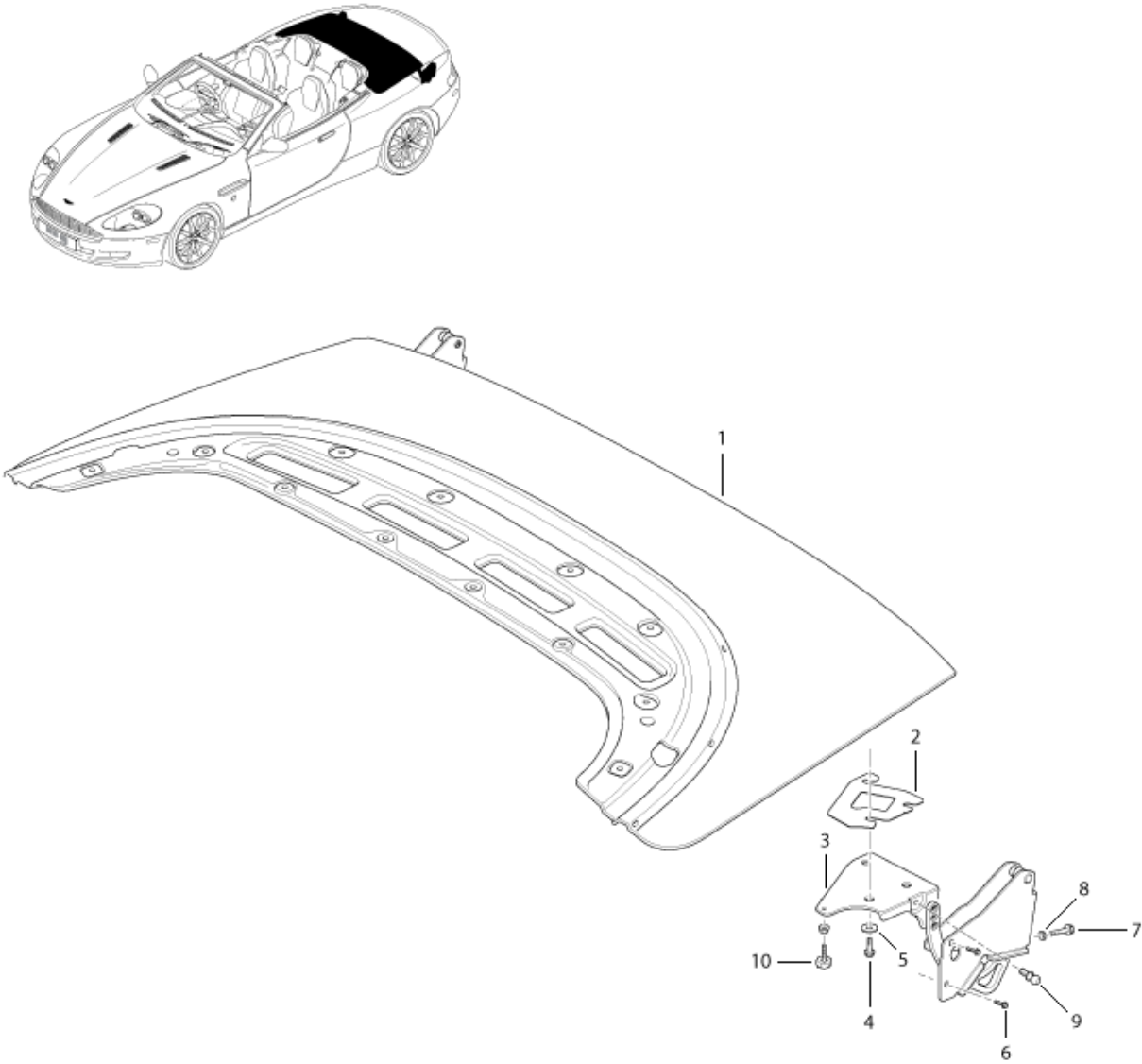
Top Seal Moulds

Item	Part Number	Description	Qty	Remarks
1	4G43-L51338-AA	Weatherstrip assy, front top	1	Also shown on 011702-B3
2	4G43-L51338-BA	Weatherstrip assy, RH	1	Also shown on 011702-B3
3	4G43-L51339-BA	Weatherstrip assy, LH	1	Also shown on 011702-B3
4	4G43-L51338-CC	Weatherstrip assy, tonneau to body	1	Also shown on 011702-B3

[Contents](#)

DB9 Body System

DB9
01 BODY SYSTEM



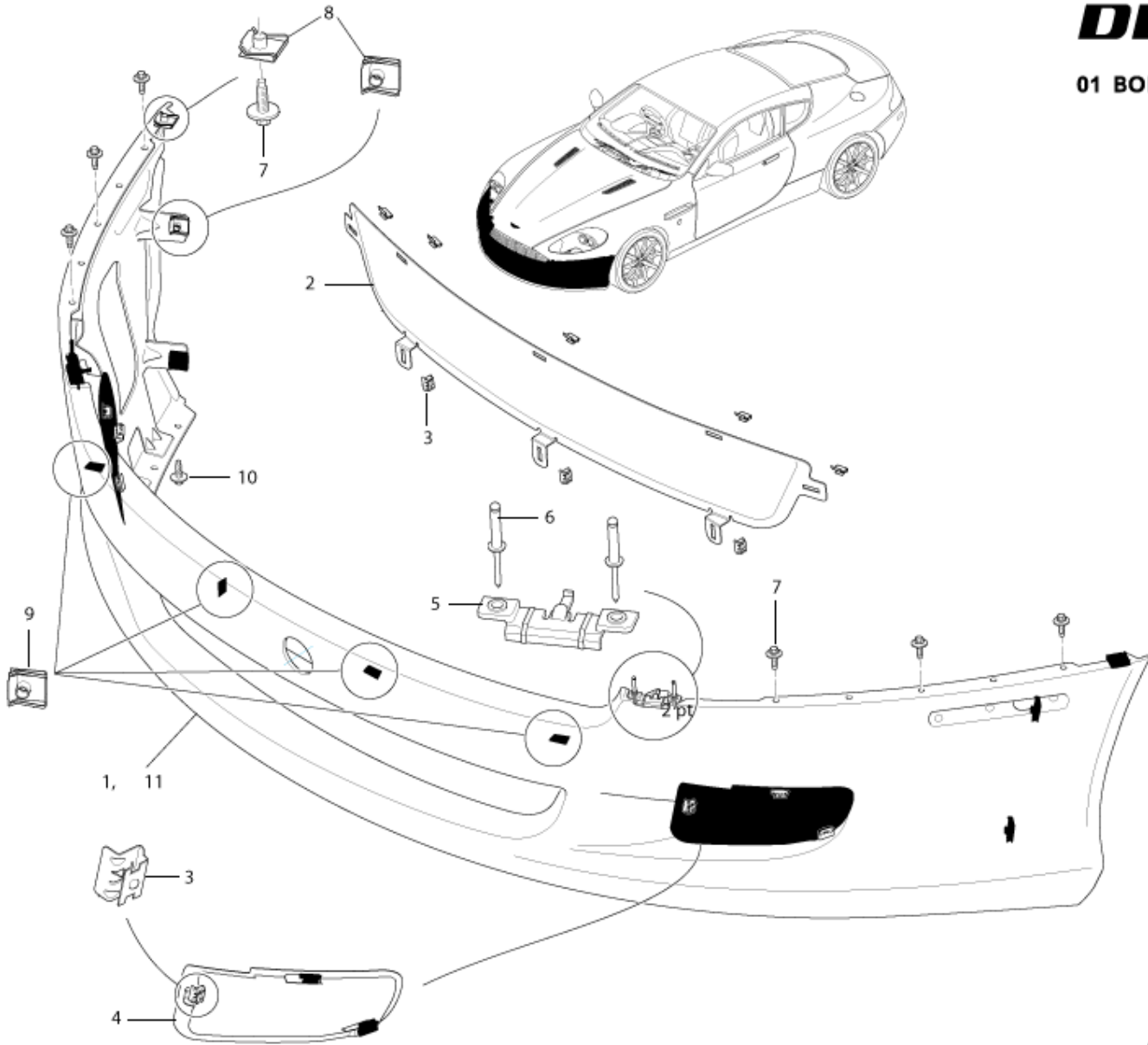
August 2007
011703-B1
Roof Opening Panel

Roof Opening Panel

Item	Part Number	Description	Qty	Remarks
1	4G43-501A00-AJ	Cover, Tonneau	1	-
2	4G43-49200-AA	Shim, 0.5mm Tonneau	A/R	-
-	4G43-49199-AA	Shim, 1.0mm Tonneau	A/R	-
-	4G43-49198-AA	Shim, 2.0mm Tonneau	A/R	-
3	4G43-42931-AL	Hinge, leaf bracket, LH	1	-
-	4G43-43029-AE	Reinforcement, hinge, LH	1	-
-	4G43-42930-AL	Hinge, leaf bracket, RH	1	-

-	4G43-43028-AE	Reinforcement, hinge, RH	1	-
4	703121	Screw, flg, M8 x 20	10	08MY
5	703757	Washer, large OD, M8	10	08MY
6	700607	Screw, flg, M6 x 20	8	-
7	W702503-S301	Screw, flg, M8 x 35	2	-
8	702549	Nut, M8, thin	2	-
9	4G43-5867827-AA	Ball stud	4	-
10	4G43-16K808-AA	Hood bumper support assy	2	-

DB9
01 BODY SYSTEM



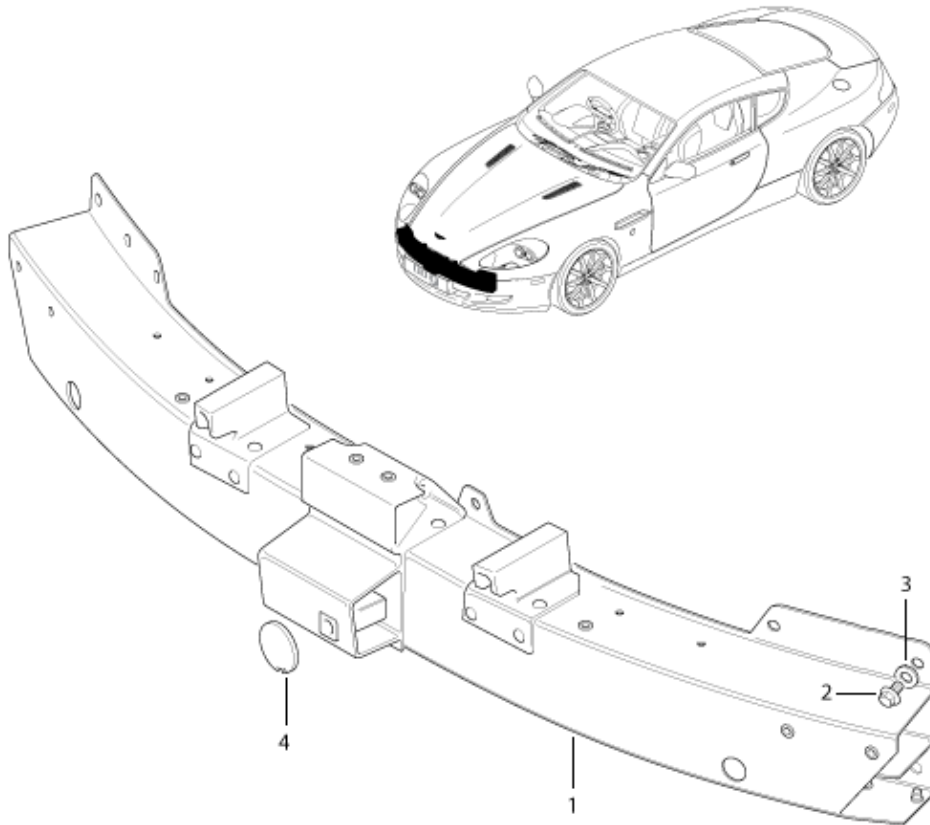
August 2007
011901-B1
Front Bumper

Front Bumper

Item	Part Number	Description	Qty	Remarks
-	4G43-17D957-AK	Cover assy, front bumper, ROW	1	07MY From 06-10-06
-	6G43-17D957-AB	Cover assy, front bumper, PDC, ROW	1	07MY From 06-10-06
-	4G43-17D957-BK	Cover assy, front bumper, Federal	1	07MY From 06-10-06
-	6G43-17D957-BB	Cover assy, front bumper, PDC, Federal	1	07MY From 06-10-06
2	4G43-8156-AB	Mesh Lower Grille	1	-

-	6G43-8156-AA	Mesh Lower Grille, PDC	1	07MY From (V) TBA
3	4G43-17F773-AB-PK	Retainer Clip	14	-
4	4G43-17E811-AB	Cover, LH front bumper	1	-
-	6G43-17E811-AB	Cover, LH front bumper	1	07MY From (V) TBA
-	6G43-17E810-AB	Cover, RH front bumper	1	-
-	6G43-17E810-AB	Cover, RH front bumper	1	07MY From (V)
5	4G43-023A50-AC-PK	Exteriors fender clip	2	-
6	701580-PK	Rivet	4	-
7	703152-PK	Bolt, M6	8	-
8	7G43-10609E-AA-PK	Clip spring, M6 U type	4	-
9	4G43-8191-AA-PK	Clip, bumper, radiator	4	-
10	702839-PK	Screen/washer, M6 x 20, bumper attach	14	-
11	4G43-10628-AA	Tape, front bumper, lower	1	-
-	697452	Washer, M8, large OD	4	-

DB9
01 BODY SYSTEM



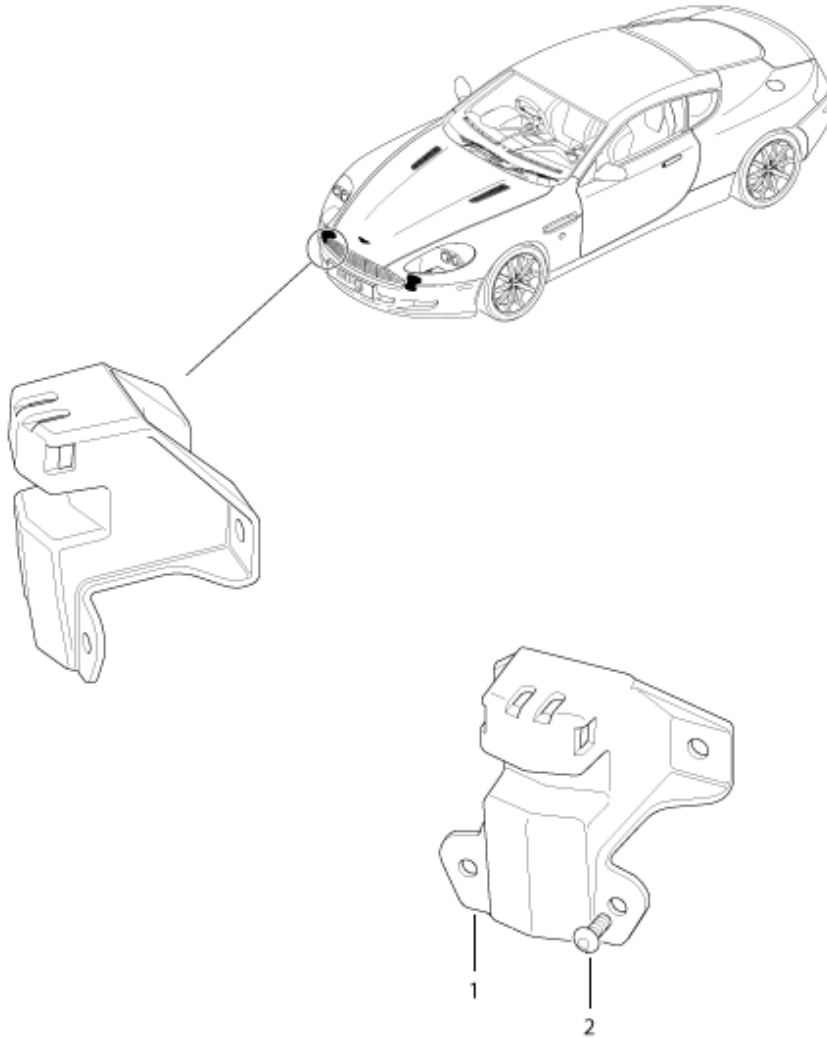
August 2007
011901-B2
Front Bumper Armature

Front Bumper Armature

Item	Part Number	Description	Qty	Remarks
1	4G43-17757-AE	Bumper beam, front	1	-
2	699849	Screw, M8 x 30 arm to crush can	8	07MY
-	703201	Screw, M8 x 30 arm to crush can	8	08MY
3	697452	Washer, large OD, M8	6	-
4	4G43-17C832-BA	Cap assy, front bumper	1	-
-	4G43-17C832-CB	Cap assy, front bumper	1	Velcro back

DB9 Body System

DB9
01 BODY SYSTEM



August 2007
011901-B3
Front Bumper Isolator

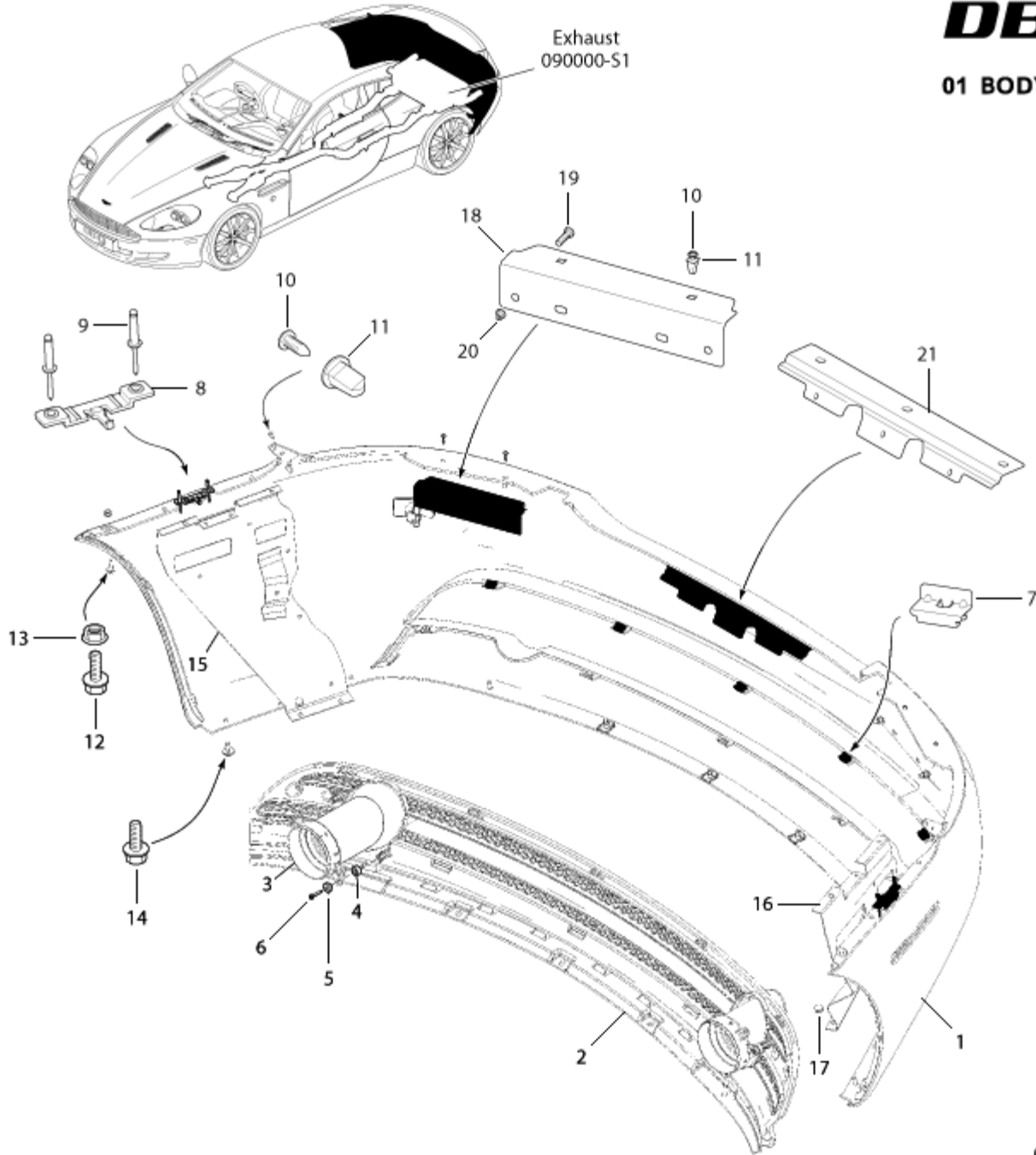
Front Bumper Isolator

Item	Part Number	Description	Qty	Remarks
1	4G43-17E936-AB	Insert front bumper isolator	2	-
2	701454	Screw, flg, M6 x 16 isolator to arm	4	07MY
-	703149	Screw, flg, M6 x 16 isolator to arm	4	08MY

[Contents](#)

DB9 - BODY SYSTEM

DB9
01 BODY SYSTEM



May 2006
011902-B1
Rear Bumper

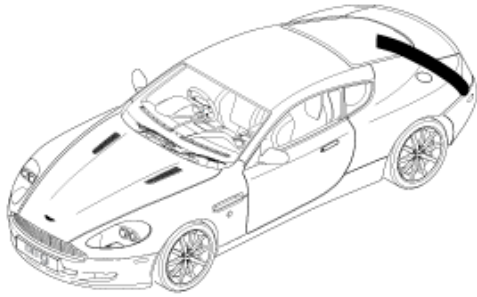
Rear Bumper, (non PDC)

Item	Part Number	Description	Qty	Remarks
1	4G43-17K835-AE	Cover assy, rear bumper, ROW	1	Up to 22-11-04

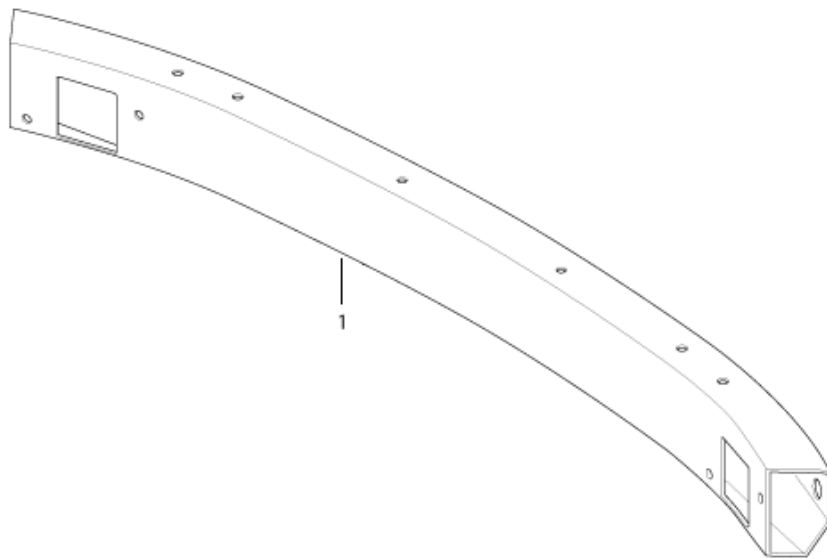
-	4G43-17K835-AF	Cover assy, rear bumper, ROW	1	From 22-11-04
-	4G43-17K835-AG	Cover assy, rear bumper, ROW	1	From 13-05-05
-	4G43-17K835-AJ	Cover assy, rear bumper, ROW	1	From 06-09-05
-	4G43-17K835-BE	Cover assy, rear bumper, Federal	1	Up to 22-11-04
-	4G43-17K835-BF	Cover assy, rear bumper, Federal	1	From 22-11-04
-	4G43-17K835-BG	Cover assy, rear bumper, Federal	1	From 13-05-05
-	4G43-17K835-BJ	Cover assy, rear bumper, Federal	1	From 06-09-05
2	4G43-01948-AE	Panel assy, rear air vent	1	Non PDC
2	4G43-01948-BF	Panel assy, rear air vent	1	PDC
2	4G43-01948-CA	Panel assy, rear air vent	1	PDC - Magnum Silver mesh
3		Finisher, exhaust	2	Part of item 2
4	6G33-5K239-CA	Isolator, tailpipe mounting	4	-
5	6G33-5K239-BA	Isolator, tailpipe mounting	4	-
6	4G43-JPT10425-AA	Screw, M4 x 23.5 hex head	4	-
7	4G43-17F773-AA	Retainer	10	-
8	4G43-023A50-AB	Exteriors fender clip	2	-
9	701661	Rivet	2	-
10	701559	Screw M4 x 16 pan head	8	-
11	701656	Retainer	8	-
12	700126	Screw, flg, M6 x 20	4	-
13	699829	Nut, M6	4	-
14	6G33-FA0115-AB	Screw and washer	9	-
15	4G43-17A881-AG	Bracket, rear bumper, RH	1	-
16	4G43-17A882-AG	Bracket, rear bumper, LH	1	-
17		Rivet	6	-
18	4G43-17B930-AA	Side Bracket, rear bumper, RH	2	-
19	70145	Screw, M6 x 16	4	-
20	699829	Nut, flg, nylon, M6	4	-
21	4G43-17B681-AF	Bracket, rear bumper	1	-
-	702838	Clip, retaining clip	2	-

[Contents](#)

DB9 Body System



DB9
01 BODY SYSTEM



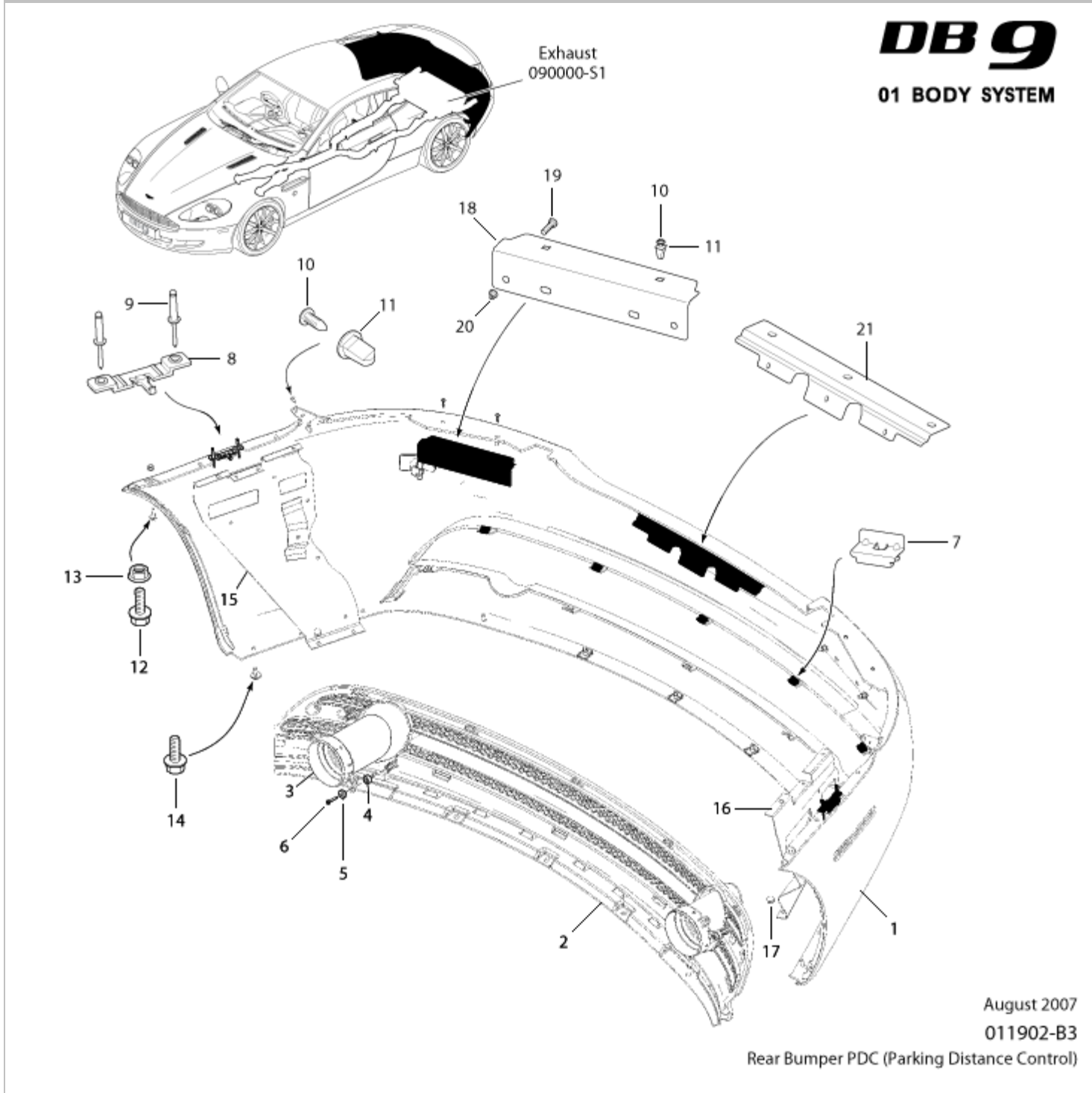
August 2007
011902-B2
Rear Bumper Armature

Rear Bumper Armature

Item	Part Number	Description	Qty	Remarks
1	4G43-17758-AA	Armature, Rear Bumper	1	-
-	701664	Screw, flg, M8 x 25 armature to body	4	07MY
-	703120	Screw, flg, M8 x 25 armature to body	4	08MY

[Contents](#)

DB9 - BODY SYSTEM



Rear Bumper PDC (Parking Distance Control)

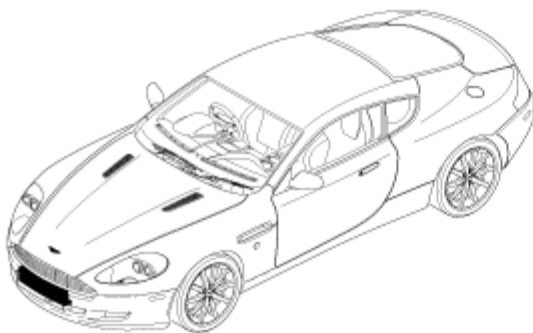
Item	Part Number	Description	Qty	Remarks
1	4G43-17K835-CE	Bumper assy, rear, park	1	ROW Up to 22-11-04

		sensors		
-	4G43-17K835-CF	Bumper assy, rear, park sensors	1	ROW From 22-11-04
-	4G43-17K835-CG	Bumper assy, rear, park sensors	1	ROW From 13-05-05 up to (V) TBA
-	4G43-17K835-CK	Bumper assy, rear, park sensors	1	ROW From 16-03-06
-	4G43-17K835-CL	Bumper assy, rear, park sensors	1	ROW From (V) TBA
-	4G43-17K835-DE	Bumper assy, rear, park sensors	1	Federal Up to 22-11-04
-	4G43-17K835-DF	Bumper assy, rear, park sensors	1	Federal From 22-11-04
-	4G43-17K835-DG	Bumper assy, rear, park sensors	1	Federal From 13-05-05 up to (V) TBA
-	4G43-17K835-DK	Bumper assy, rear, park sensors	1	Federal From 16-03-06
-	4G43-17K835-DL	Bumper assy, rear, park sensors	1	Federal From (V) TBA
2	4G43-01948-BF	Panel assy, vent air rear, PDC	1	-
-	4G43-01948-CA	Panel assy, vent air rear, PDC	1	Le Mans
3		Finisher, exhaust	2	Part of item 2
4	6G33-5K239-CA	Isolator, tailpipe mounting	4	-
5	6G33-5K239-BA	Isolator, tailpipe mounting	4	-
6	4G43-JPT10425-AA	Screw, M4 x 23.5 hex head	4	-
7	4G43-17F773-AB	Retainer	10	-
8	4G43-023A50-AB	Exteriors fender clip	2	-
9	701580	Rivet	2	-
10	701559	Screw M4 x 16 pan head	8	-
11	701656	Retainer	8	-
12	701664	Screw, flg, M8 x 25	4	07MY
-	703120	Screw, flg, M8 x 25	4	08MY
13	699829	Nut, M6	4	07MY
-	703164	Nut, M6	4	08MY
14	6G33-FA0115-AB	Screw and washer	9	-
15	4G43-17A881-AH	Bracket, rear bumper, RH	1	-
16	4G43-17A882-AH	Bracket, rear bumper, LH	1	-
17		Rivet	6	-
18	4G43-17B930-AA	Side bracket, rear bumper	2	-

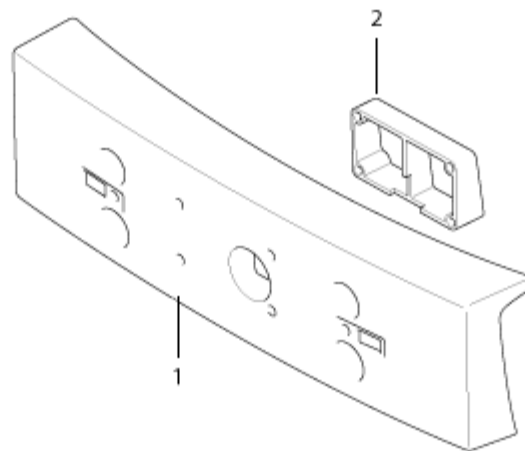
19	703151	Screw, M6 x 16	4	-
20	699829	Nut, flg, nylon, M6	4	07MY
-	703164	Nut, M6	4	08MY
21	4G43-17B681-AF	Bracket, rear bumper	1	-
-	702838	Clip, retaining clip	2	-

[Contents](#)

DB9 - BODY SYSTEM



DB9
01 BODY SYSTEM



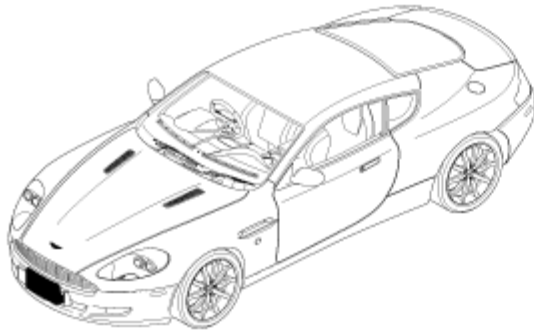
March 2006
011904-B1
License Plate Brackets

License Plate Brackets

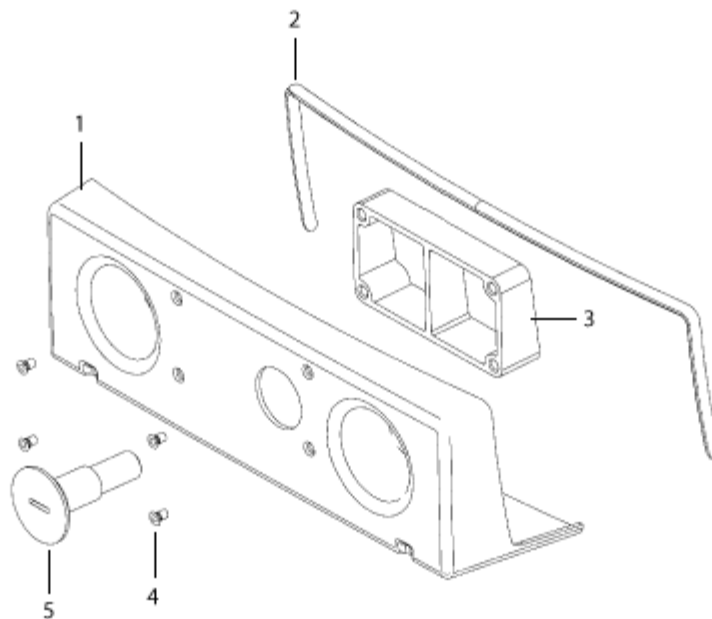
Item	Part Number	Description	Qty	Remarks
1	4G43-17A835-DC	Number plate plinth, Swiss small	1	-
-	4G43-17A835-AD	Number plate plinth, EC, less Swiss	1	-
-	697479	Nut, flg, M5	4	-
-	700633	Nut, flg, M6, (Swiss)	2	-
2	4G43-16E146-AE	Bumper front bolster block	1	-

[Contents](#)

DB9 - BODY SYSTEM



DB9
01 BODY SYSTEM



August 2007
011904-B2
License Plate Bracket Assy, NAS

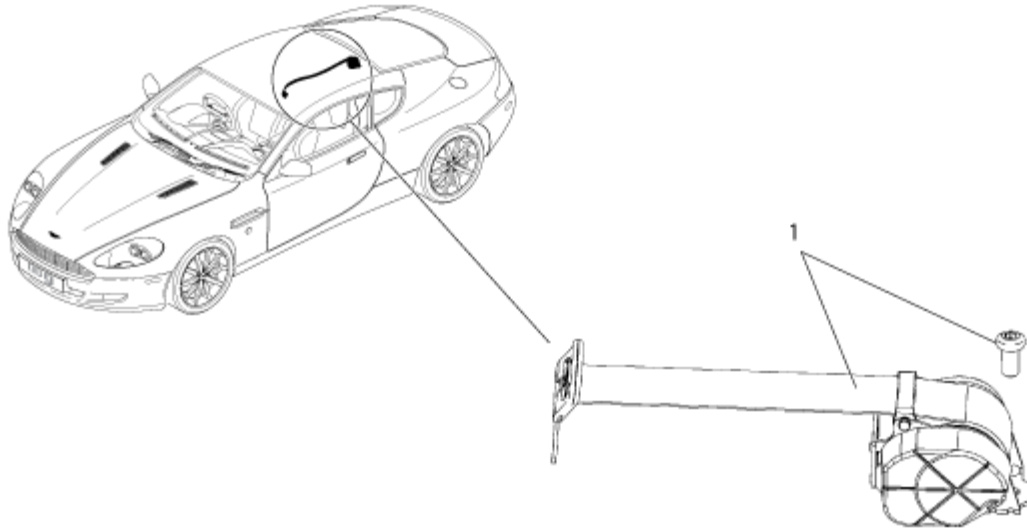
Licence Plate Bracket Assy, NAS

Item	Part Number	Description	Qty	Remarks
1	4G43-17A835-DC	Licence plate bracket, Federal, small	1	-
-	4G43-17A835-BD	Licence plate bracket, Federal	1	-
2	4G43-46661-AA	Seal housing, registration plate, Swiss	1	-

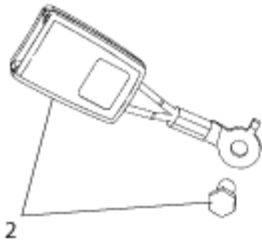
3	4G43-16E146-AE	Bumper front bolster block	1	-
4		Rivet, dome head	4	-
5	4G43-13364-CB	Plinth bolt, NAS vehicles	1	-
-	4G43-17C832-BA	Cover, front bumper, (NAS plinth)	1	-
-	4G43-17B388-AB	Plinth, licence plate NAS rear, RH	1	-
-	4G43-17B389-AB	Plinth, licence plate NAS rear, LH	1	-
-	4G43-17B389-BC	Plinth, licence plate NAS rear	1	-
-	700614	Screw, M6 x 35 pan head black, NAS decklids plinth	4	-
-	700614	Screw, M6 x 35 pan head black, NAS decklid light pod R/LH	6	-
-	4G43-01-10303	Support plate assy, rear No plate, Japan decklid light pod	2	-
-	701354	Screw, M3.5 x 13 pan flg + washer, Japan decklid light pod	4	-
-	4G43-17A835-EB	Plinth, front number plate, Japan, loose in boot	1	-
-	4G43-13364-BA	Mounting, front number plate, Japan	1	-

[Contents](#)

DB9 - BODY SYSTEM



DB9
01 BODY SYSTEM



September 2007

012001-B2

Rear Seatbelts Assy- COUPE

Rear Seatbelts Assy - Coupe

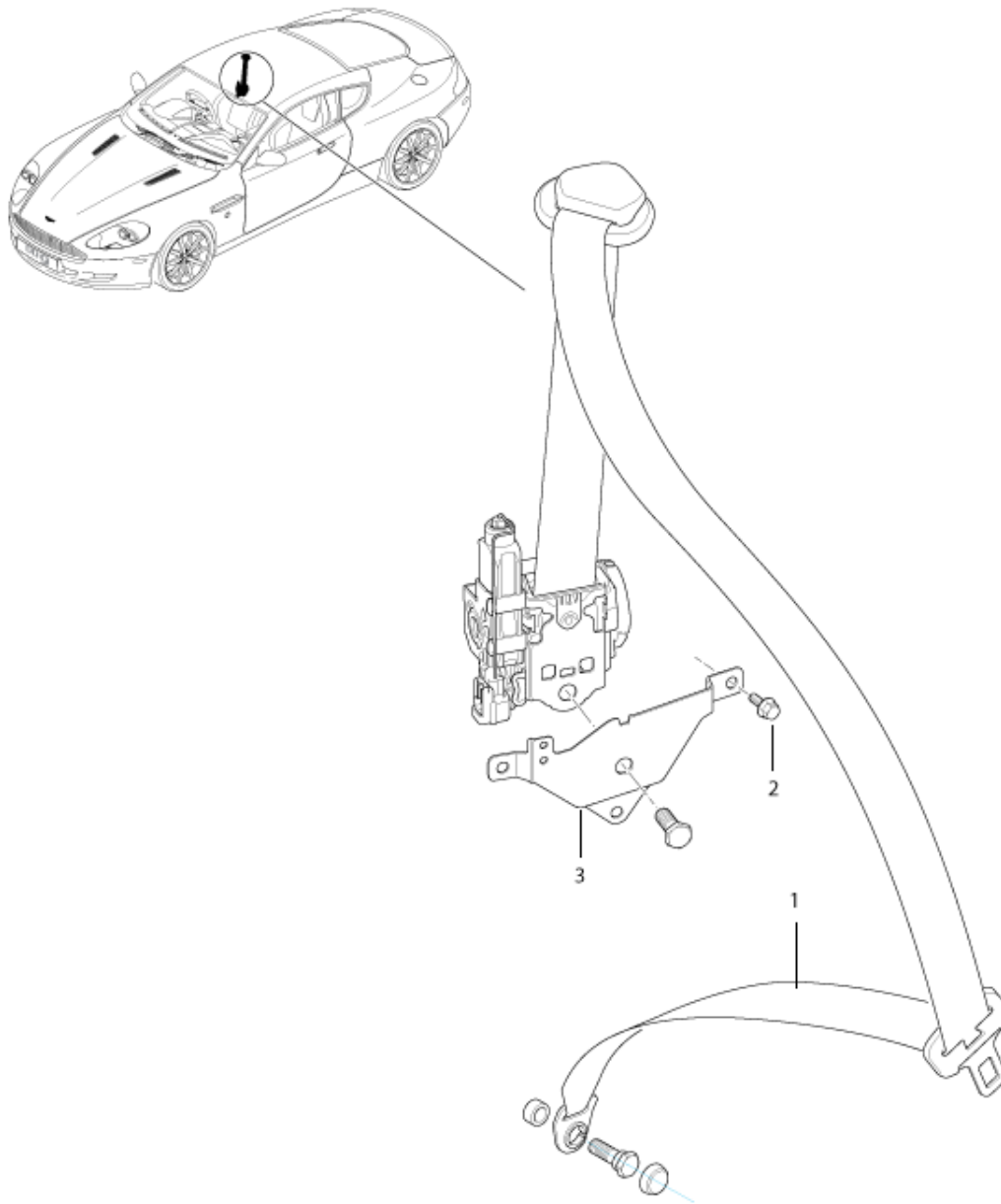
Item	Part Number	Description	Qty	Remarks
1	4G43-611B68-CEW	Seatbelt assy, rear, warm charcoal	2	07MY
-	4G43-611B68-CFW	Seatbelt assy, rear, warm charcoal	2	08MY From (V) A09110
-	4G43-611B68-BEW	Seatbelt assy, rear, flint	2	07MY

-	4G43-611B68-BFW	Seatbelt assy, rear, flint	2	08MY From (V) A09110
2	4G43-613K23-BC	Buckle, Seat Belt, RH	2	07MY
-	4G43-613K23-BD	Buckle, Seat Belt, RH	2	08MY From (V) A09110
-	4G43-613K21-BC	Buckle, Seat Belt, LH	2	07MY
-	4G43-613K21-BD	Buckle, Seat Belt, LH	2	08MY From (V) A09110

[Contents](#)

DB9 - BODY SYSTEM

DB9
01 BODY SYSTEM



September 2007
012001-B5
Front Seatbelts - COUPE

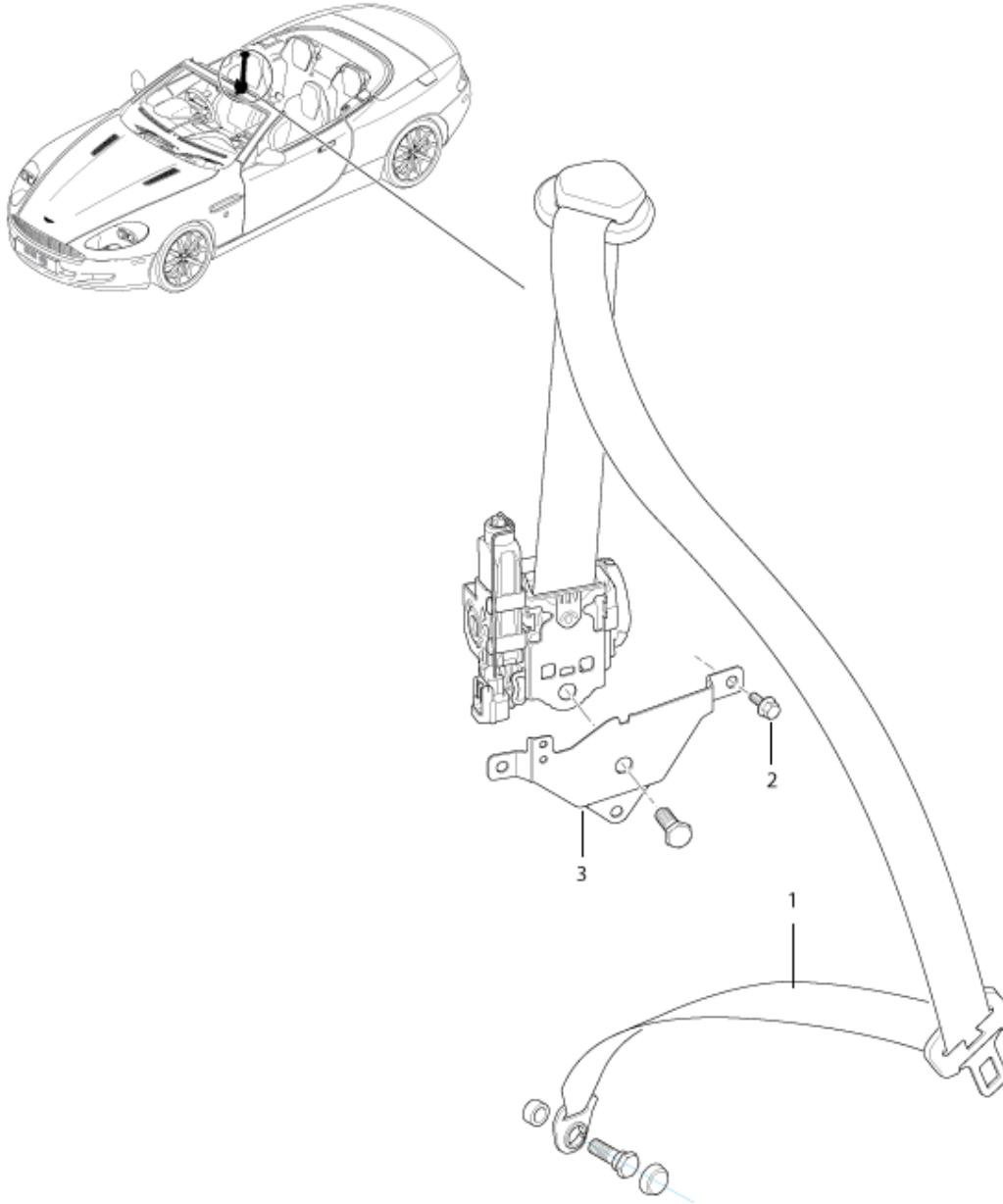
Front Seatbelts - Coupe

Item	Part Number	Description	Qty	Remarks
1	4G43-611B70-DCW	Seatbelt assy, front, Drivers - warm charcoal	1	07MY
-	8G43-611B70-DCW	Seatbelt assy, front, Drivers - warm charcoal	1	08MY From (V) A09110
-	4G43-611B69-DCW	Seatbelt assy, front, Passengers - warm charcoal	1	07MY

-	8G43-611B69-DCW	Seatbelt assy, front, Passengers - warm charcoal	1	08MY From (V) A09110
-	4G43-611B70-BDW	Seatbelt assy, front, Drivers - flint	1	07MY
-	8G43-611B70-BCW	Seatbelt assy, front, Drivers - flint	1	08MY From (V) A09110
-	4G43-611B69-BDW	Seatbelt assy, front, Passengers - flint	1	07MY
-	4G43-611B69-BCW	Seatbelt assy, front, Passengers - flint	1	08MY From (V) A09110
2	700123	Bolt flg, M8 x 20	8	07MY
-	703121	Bolt flg, M8 x 20	8	08MY From (V) A09110
-	4G43-613K22-BC	Buckle Assy front, See 011000	2	07MY
-	4G43-613K22-BD	Buckle Assy front, See 011000	2	08MY From (V) A09110
3	4G43-60258-AB	Mounting bracket, front seat belt, RH	1	-
-	4G43-60259-AB	Mounting bracket, front seat belt, LH	1	-

[Contents](#)

DB9 - BODY SYSTEM



DB9
01 BODY SYSTEM

September 2007
012001-B6
Front Seatbelts, VOLANTE

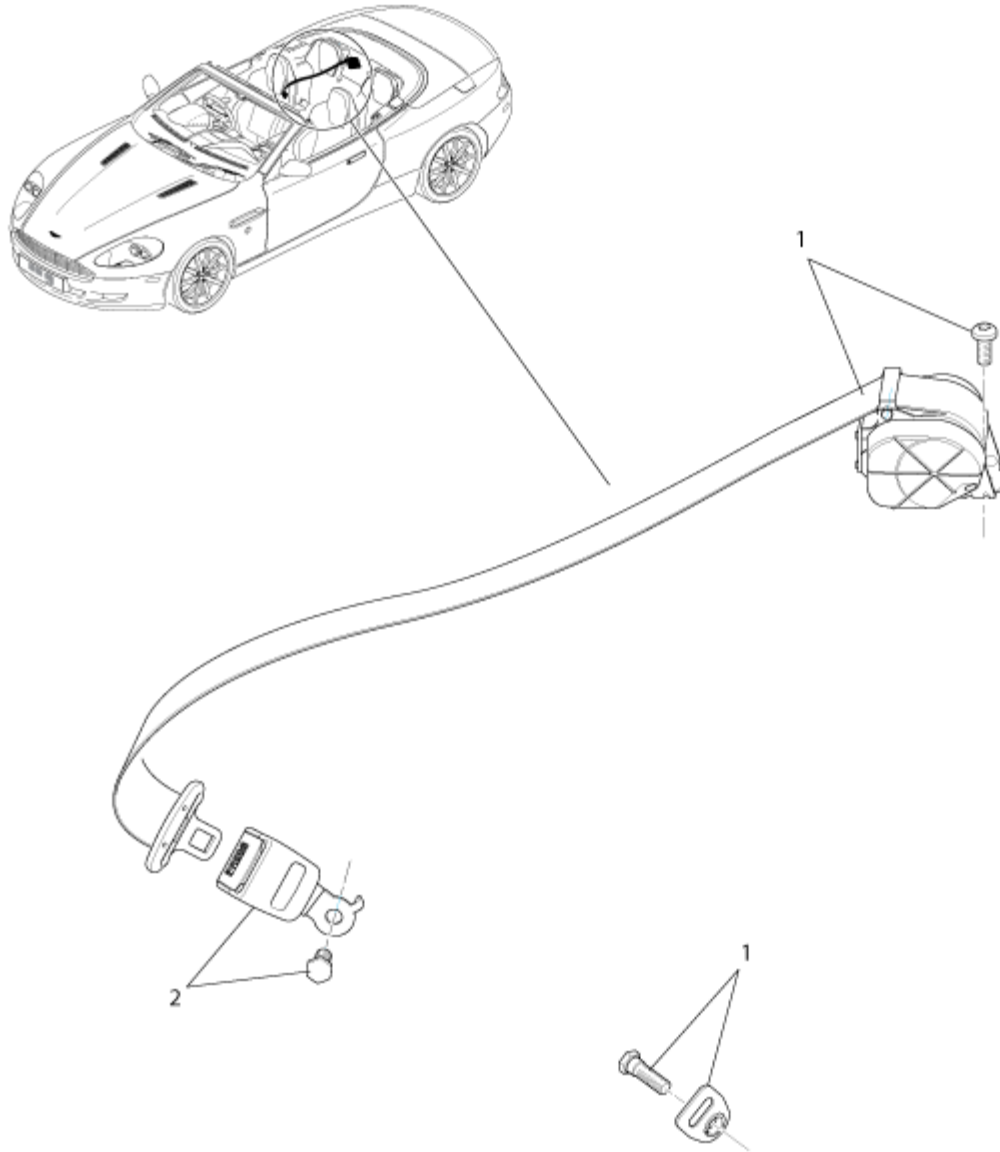
Front Seatbelts, Volante

Item	Part Number	Description	Qty	Remarks
1	4G43-611B70-DCW	Seatbelt assy, front, Drivers - warm charcoal	1	07MY
-	8G43-611B70-DCW	Seatbelt assy, front, Drivers - warm charcoal	1	08MY From (V) A09110
-	4G43-611B69-DCW	Seatbelt assy, front, Passengers- warm charcoal	1	07MY

-	8G43-611B69-DCW	Seatbelt assy, front, Passengers- warm charcoal	1	08MY From (V) A09110
-	4G43-611B70-BDW	Seatbelt assy, front, Drivers - flint	1	07MY
-	8G43-611B70-BCW	Seatbelt assy, front, Drivers - flint	1	08MY From (V) A09110
-	4G43-611B69-BDW	Seatbelt assy, front, Passengers - flint	1	07MY
-	4G43-611B69-BCW	Seatbelt assy, front, Passengers - flint	1	08MY From (V) A09110
2	700123	Bolt flg, M8 x 20	8	07MY
-	703121	Bolt flg, M8 x 20	8	08MY From (V) A09110
-	4G43-613K22-BC	Buckle Assy front, See 011000	2	07MY
-	4G43-613K22-BD	Buckle Assy front, See 011000	2	08MY From (V) A09110
3	4G43-60258-AB	Mounting bracket, front seat belt, RH	1	-
-	4G43-60259-AB	Mounting bracket, front seat belt, LH	1	-

[Contents](#)

DB9 - BODY SYSTEM



DB9
01 BODY SYSTEM

September 2007

012001-B7

Rear Seatbelt Assy, VOLANTE

Rear Seat Belt Assy, VOLANTE

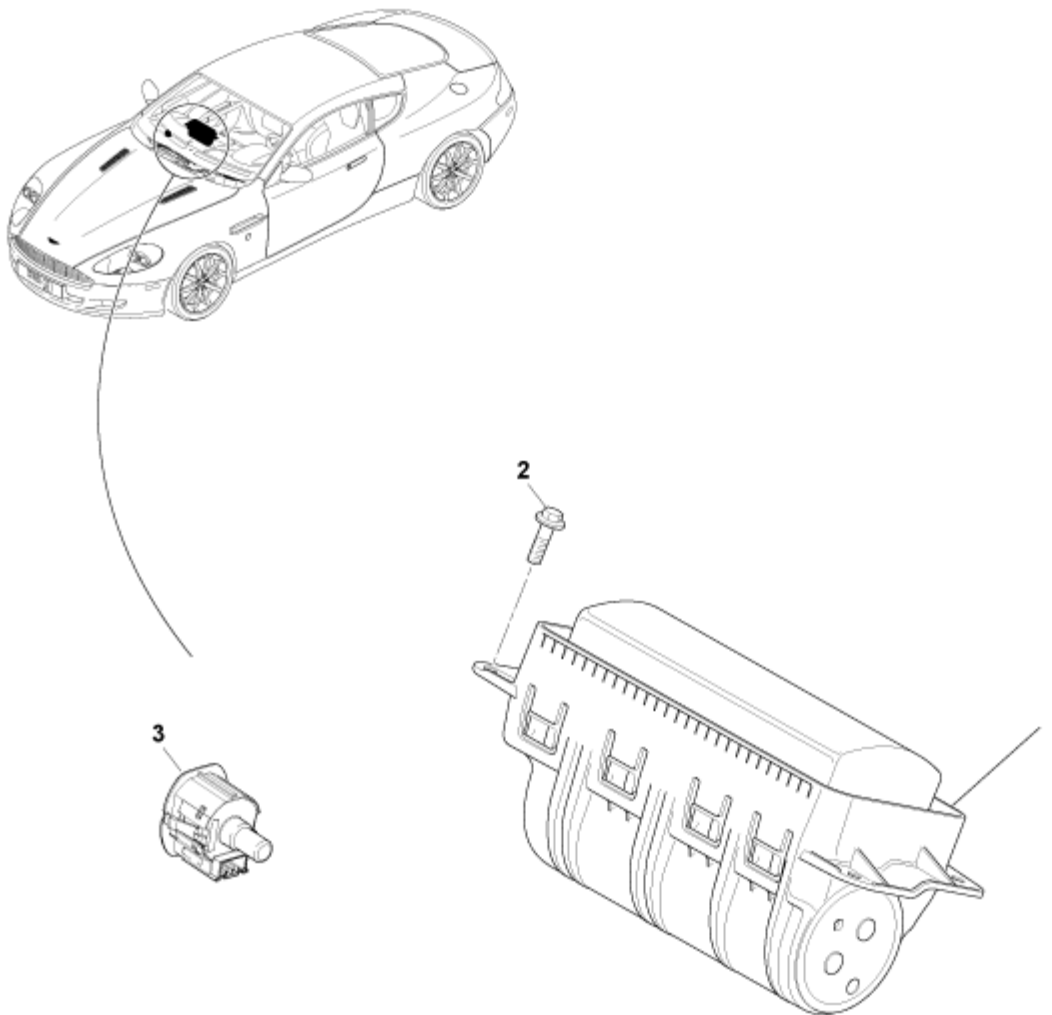
Item	Part Number	Description	Qty	Remarks
1	4G43-611B68-CEW	Seatbelt assy, rear, warm charcoal	2	07MY
-	4G43-611B68-CFW	Seatbelt assy, rear, warm charcoal	2	08MY From (V) A09110
-	4G43-611B68-BEW	Seatbelt assy, rear, flint	2	07MY

-	4G43-611B68-BFW	Seatbelt assy, rear, flint	2	08MY From (V) A09110
2	4G43-613K23-BC	Buckle, Seat Belt, RH	2	07MY
-	4G43-613K23-BD	Buckle, Seat Belt, RH	2	08MY From (V) A09110
-	4G43-613K21-BC	Buckle, Seat Belt, LH	2	07MY
-	4G43-613K21-BD	Buckle, Seat Belt, LH	2	08MY From (V) A09110

[Contents](#)

DB9 Body System

DB9
01 BODY SYSTEM



October 2008
012003-B1
Passenger Air Bag, LHD

Passengers Air Bag - LHD

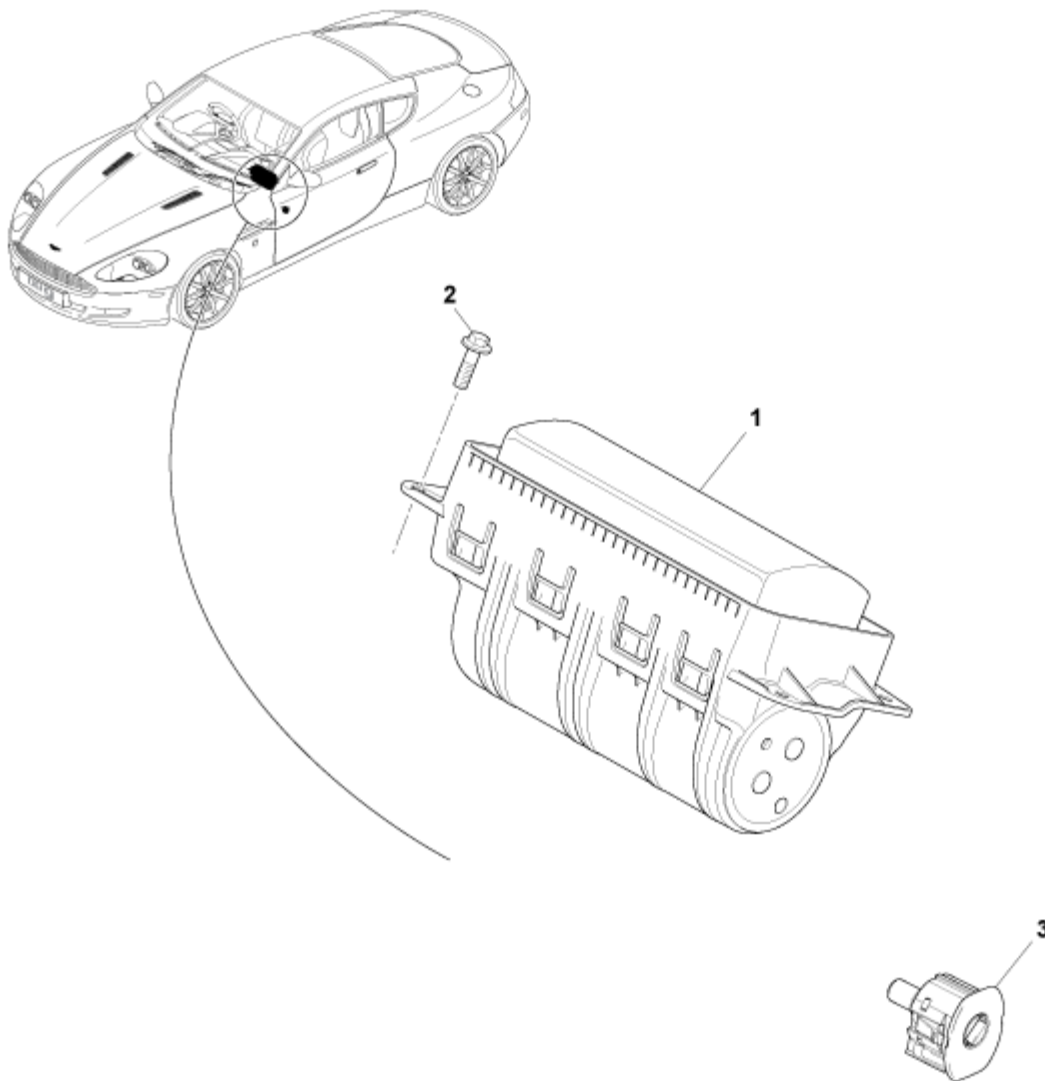
Item	Part Number	Description	Qty	Remarks
1	4G43-044H31-AA	Passenger Airbag, LHD	1	-
2	701553	Screw, M6 x 16	4	-
3	6G33-14B268-AA	Switch, passenger airbag deactivation	1	-

[Contents](#)

DB9 Body System

DB9

01 BODY SYSTEM



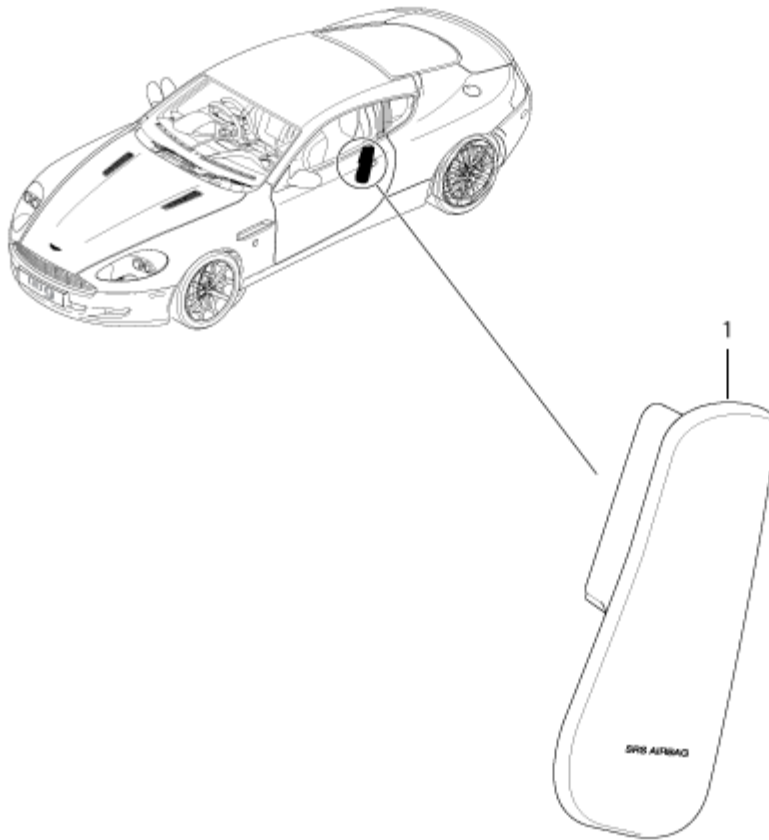
October 2008
012003-B2
Passenger Airbag- RHD

Passenger Airbag, RHD

Item	Part Number	Description	Qty	Remarks
1	4G43-044H31-AA	Passenger Airbag, RHD	1	-
2	701553	Screw, M6 x 16	4	-
3	6G33-14B268-AA	Switch, passenger airbag deactivation	1	-

[Contents](#)

DB9 Body System



DB9
01 BODY SYSTEM

September 2007

012003-B3

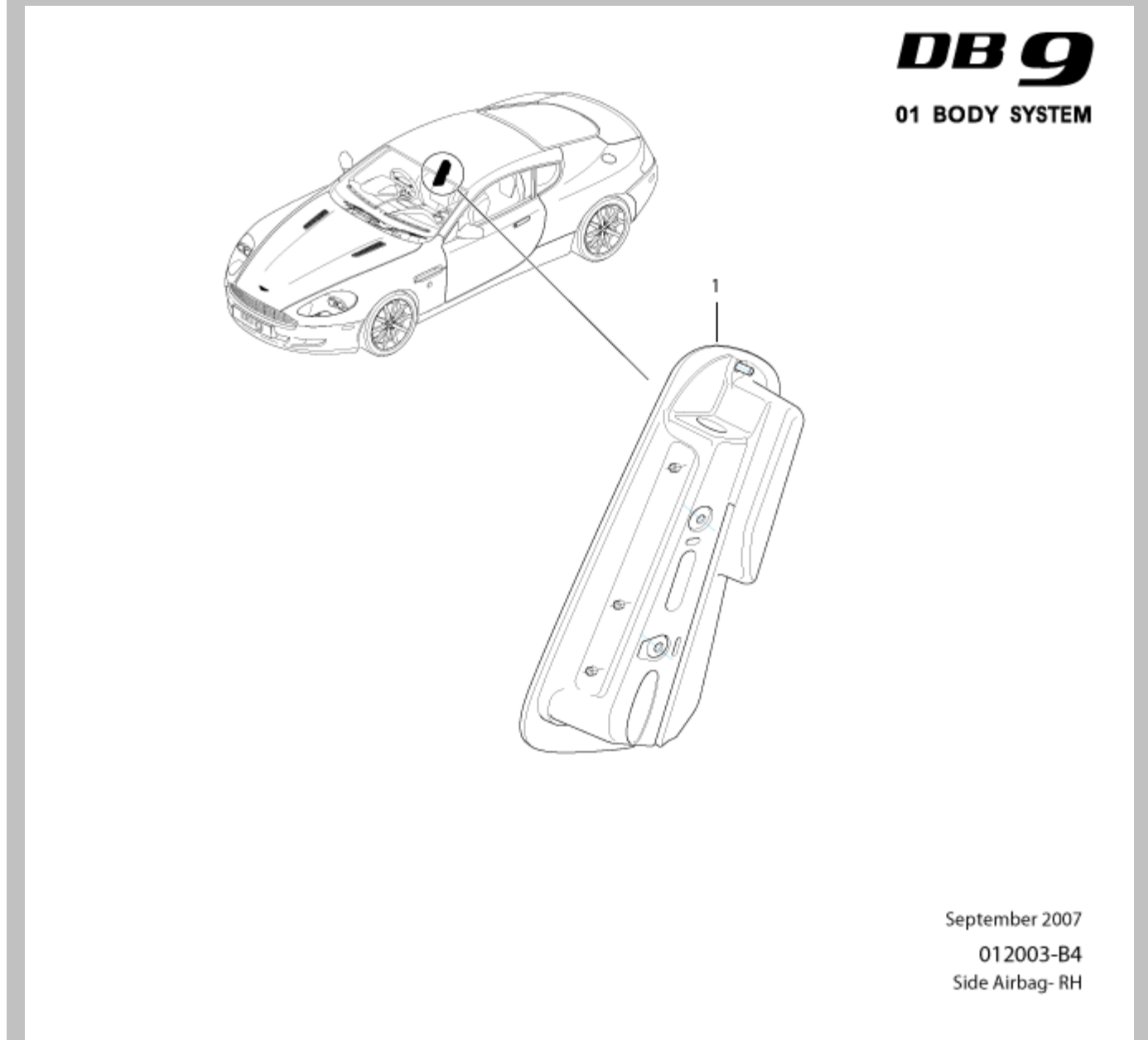
Side Airbag- LH

Side Airbag - LH

Item	Part Number	Description	Qty	Remarks
1	4G43-600B95-AAW	Side airbag, LH	1	Up to (V) A06677
-	4G43-74-10689	Side airbag, LH	1	From (V) A06678

[Contents](#)

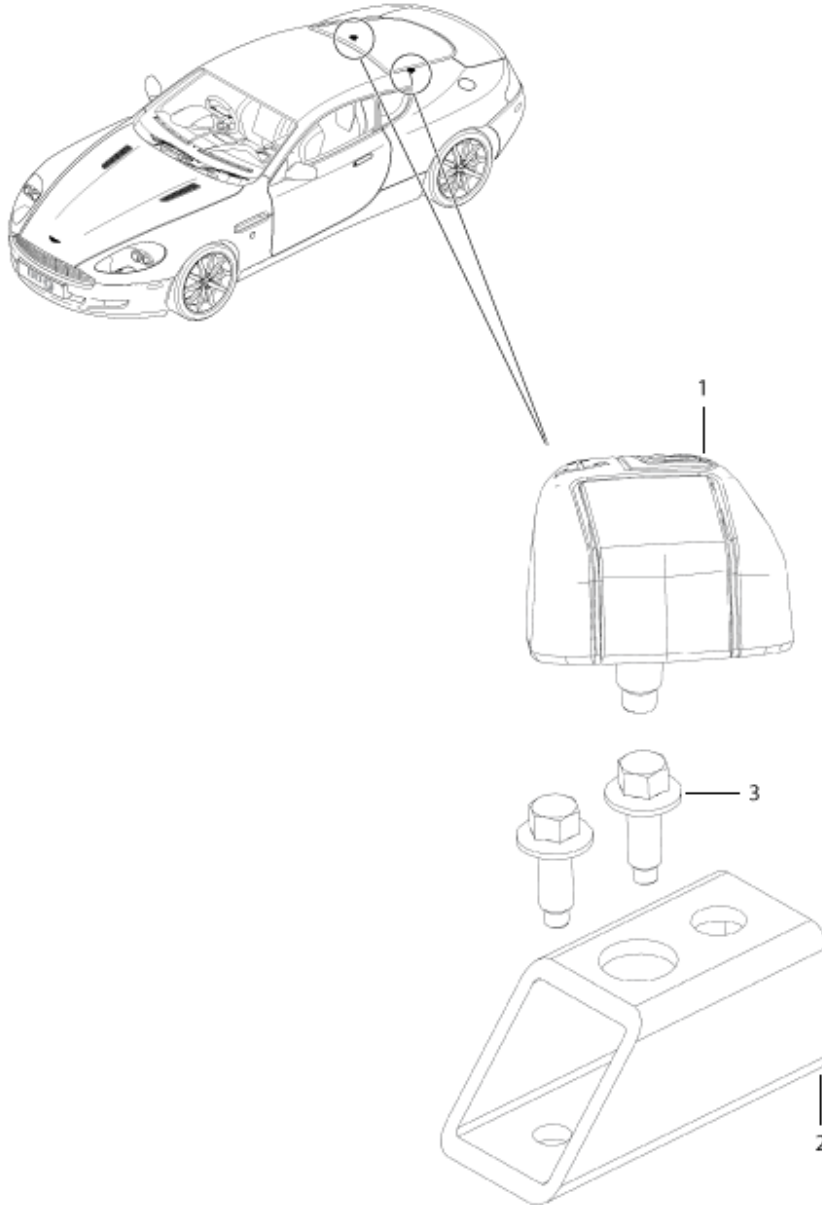
DB9 Body System



Side Airbag - RH

Item	Part Number	Description	Qty	Remarks
1	4G43-600B94-AAW	Side Airbag, RH	1	Up to (V) A06677
-	4G43-74-10690	Side Airbag, RH	1	From (V) A06678

DB9 - BODY SYSTEM



DB9

01 BODY SYSTEM

September 2007
012004-B1
Child Restraints

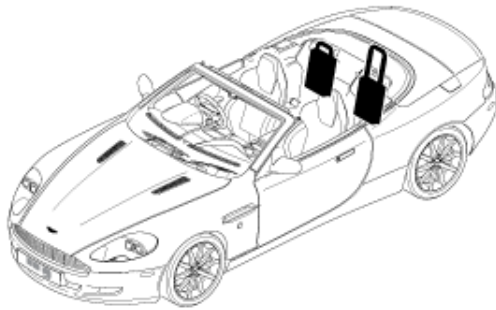
Child Restraints

Item	Part Number	Description	Qty	Remarks
1	4G43-80-10315	Child seat belt anchorage assy	2	USA/Australia only
2	4G43-600B32-AA	Adapt bracket, rear seat child teth anchorage	2	USA/Australia only
3	701454	Bolt, M6 x 16, adapt bracket attach	4	USA/Australia only - 07MY

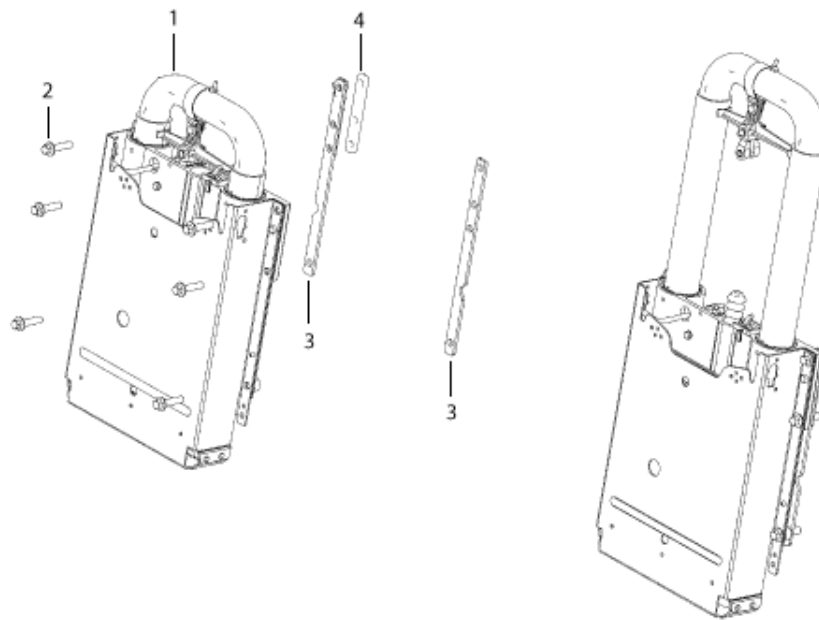
4	703149	Bolt, M6 x 16, adapt bracket attach	4	USA/Australia only - 08MY From (V) A09110
---	------------------------	-------------------------------------	---	---

[Contents](#)

DB9 - BODY SYSTEM



DB9
01 BODY SYSTEM



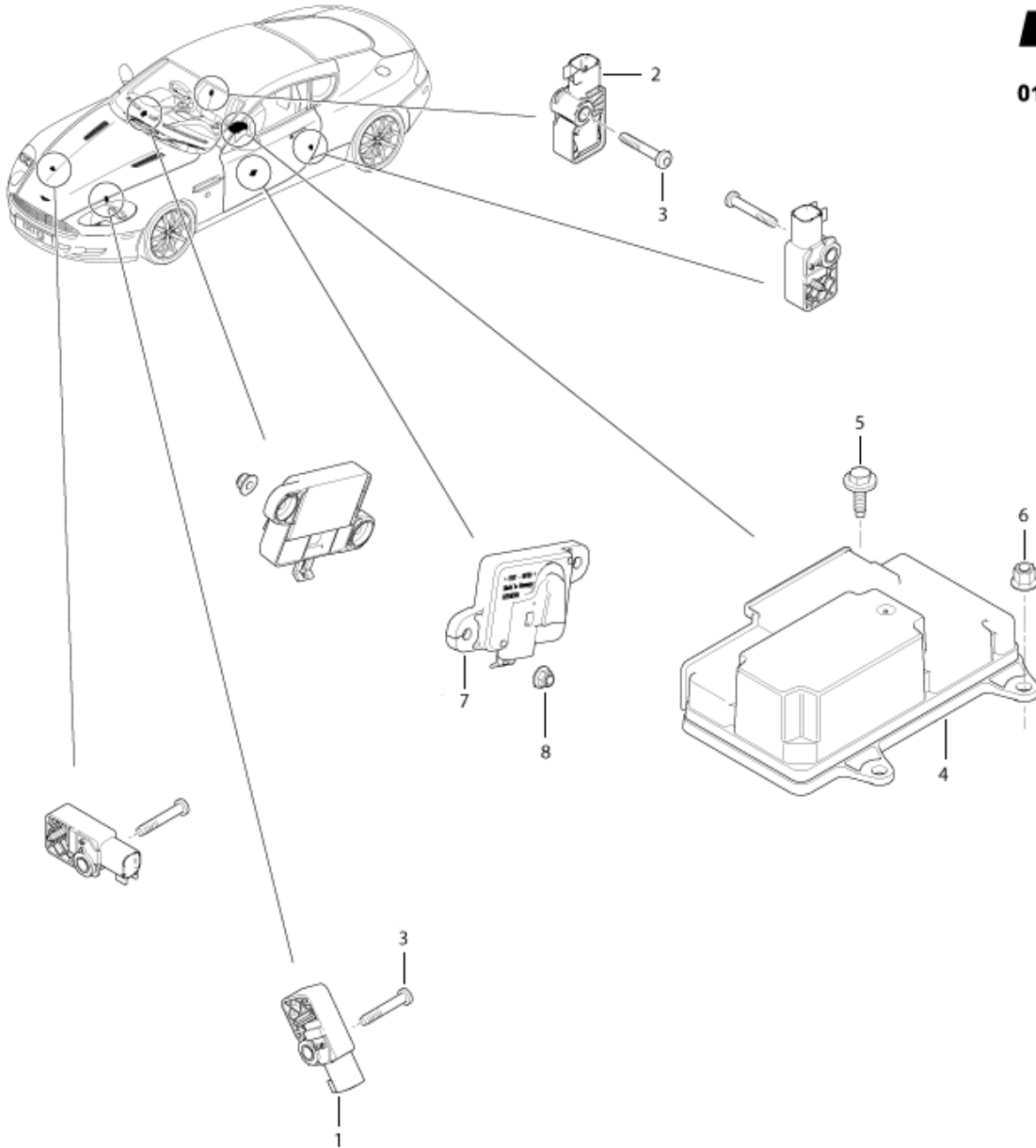
September 2007

012004-B2
ROPS Installation, VOLANTE

ROPS Installation, Volante

Item	Part Number	Description	Qty	Remarks
1	4G43-518C42-AC	Roll over protection system	2	06MY - Up to (V) TBA
-	4G43-37-10653	Roll over protection system	2	07MY - From (V) TBA
2	700919	Bolt, flg, M8 x 33, ROPS Install	12	07MY
-	703153	Bolt, flg, M8 x 33, ROPS Install	12	08MY From (V) A09110
3	7G43-L3981X-AA	Spacer plate, roll bar, centre	4	-
4	7G43-L3981X-CA	Spacer plate, roll bar, RH	1	-

-	7G43-L3981X-BA	Spacer plate, roll bar, LH	1	-
---	--------------------------------	----------------------------	---	---



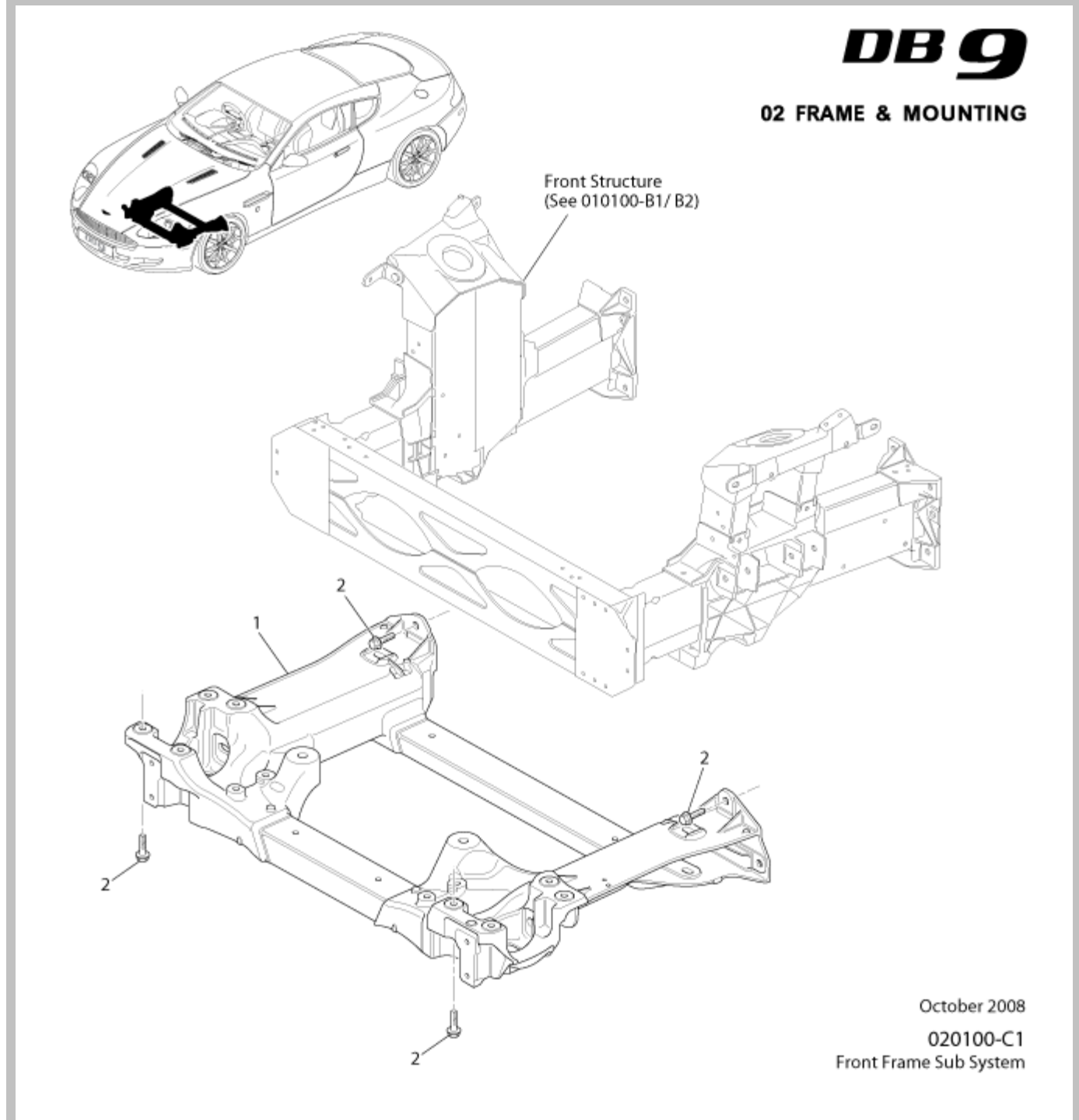
Actuation Sensors

Item	Part Number	Description	Qty	Remarks
1	4G43-37-10260	Sensor assy, front impact, side	2	Up to (V) B10201
-	4G43-37-10261	Sensor assy, front impact, upper front	2	Up to (V) B10201
-	4G43-37-10932	Sensor assy, front impact	2	From (V) B10202

2	4G43-37-10931	Sensor assy, side impact B pillar	2	-
3	701670	Screw M5 x 30 pan 6 lobe	4	07MY
-	703199	Bolt, flg, M6 x 30	4	08MY
4	4G43-37-10929	Module, control, occupant restraint	1	05/06MY
-	4G43-37-10930	Module, control, occupant restraint	1	07/08MY
-	4G43-37-10929	Module, control, occupant restraint	1	Coupe 09MY
-	4G43-37-10930	Module, control, occupant restraint	1	Volante 09MY
5	702839	Screw & Washer M6 x 20	2	-
6	702840	Nut & Washer M6 hes flg	2	-
7	6G43-37-10240	Sensor assy, side impact door	2	-
8	702522	Nut M5 hex flg	4	-
-	4G43-518C45-AC	Sensor, rollover	1	-
-	4G43-14B295-BA	Bracket, roll sensor mounting	1	-
-	701553	Screw, M6 x 16, sensor to bracket	3	-
-	700633	Nut, flg, M6	4	-

[Contents](#)

DB9 Frame & Mounting



Front Frame Sub System

Item	Part Number	Description	Qty	Remarks
1	4G43-5019-AF	Sub-frame, front	1	-
2	701241	Bolt, M12	12	-

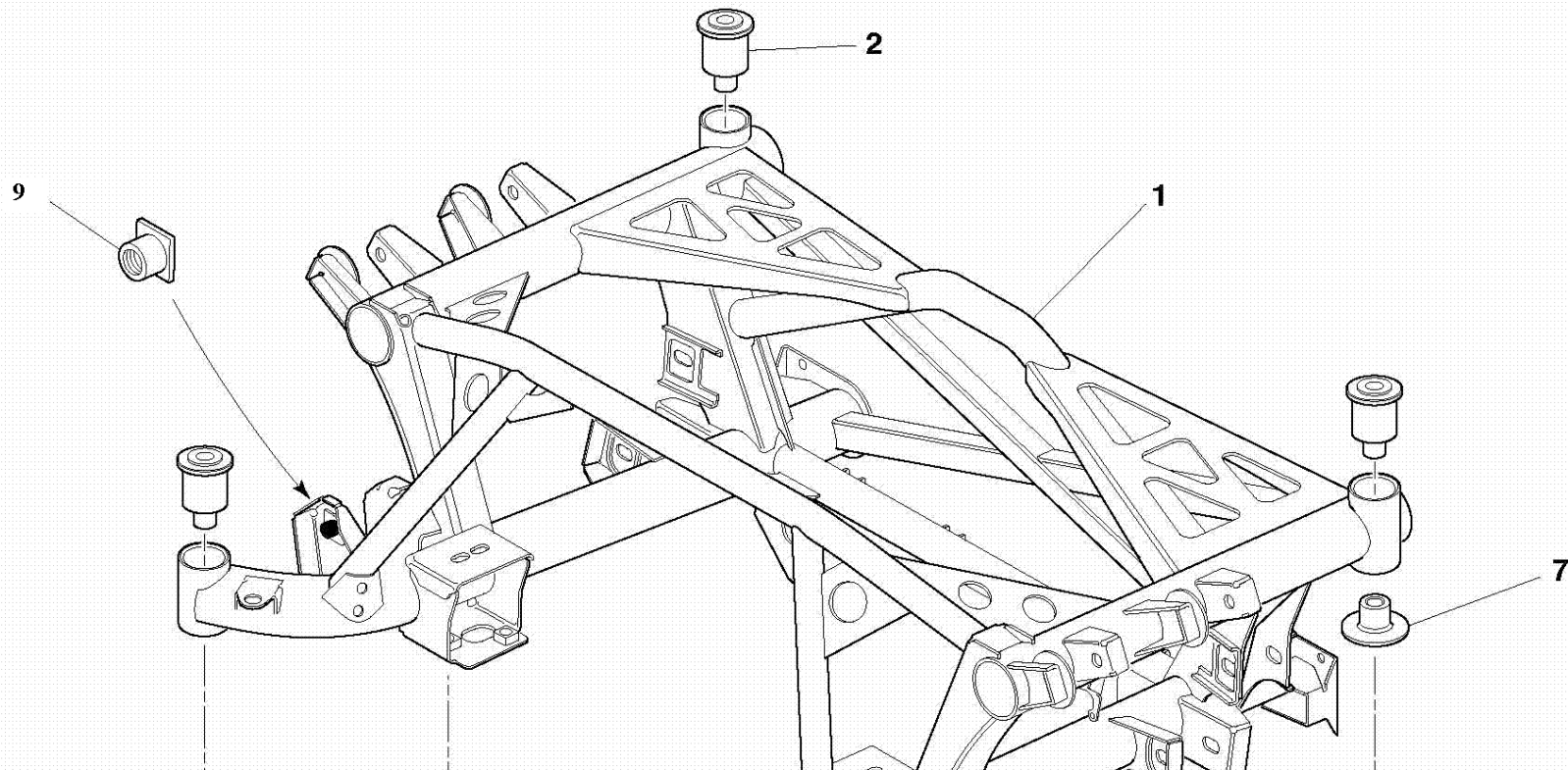
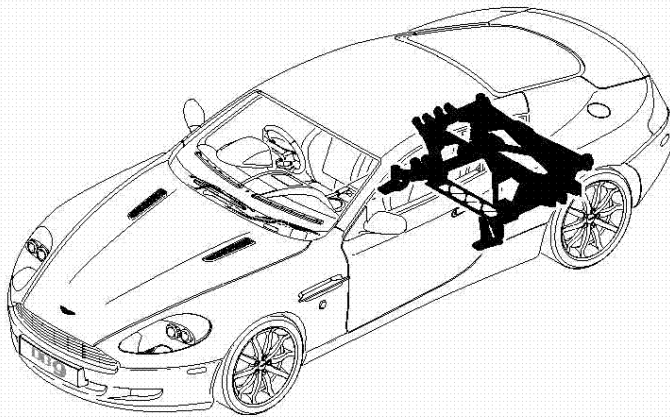


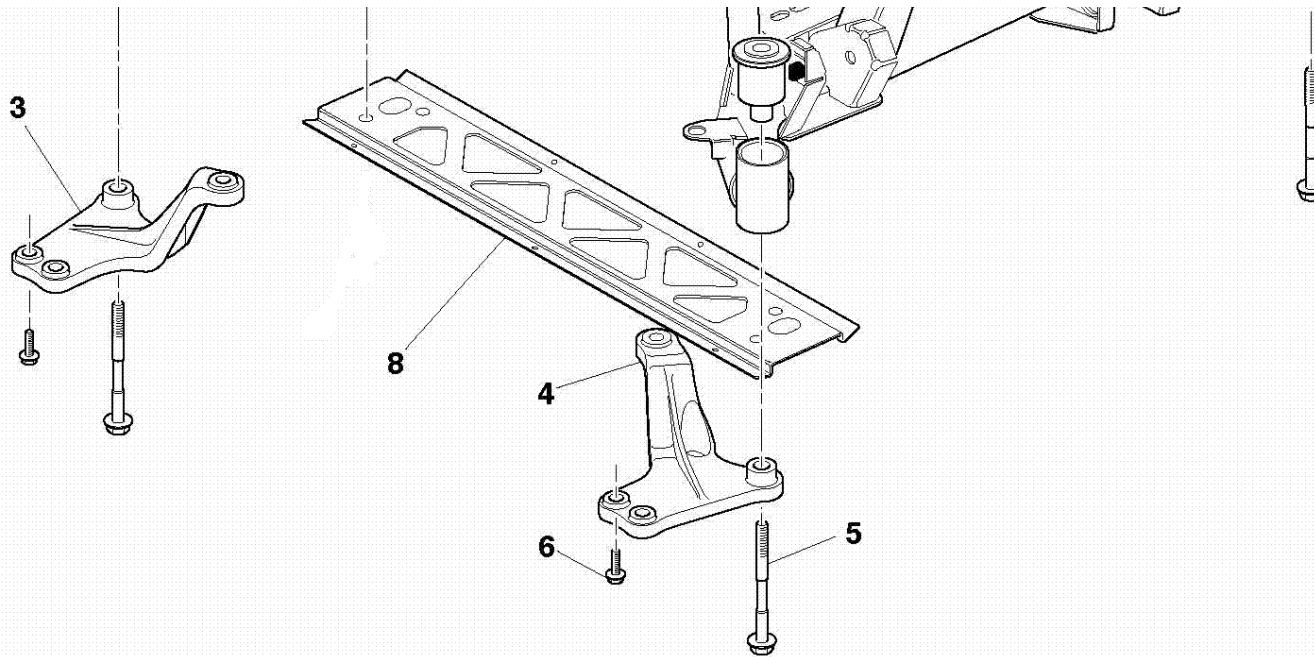
artboard size- 260mm x 325mm/ 737 x 921pxls

DB9

02.00 FRAME & MOUNTING

BACK ◀ MASTER INDEX ▶ NEXT





020100-C2
Rear Frame Sub System
 October 2007

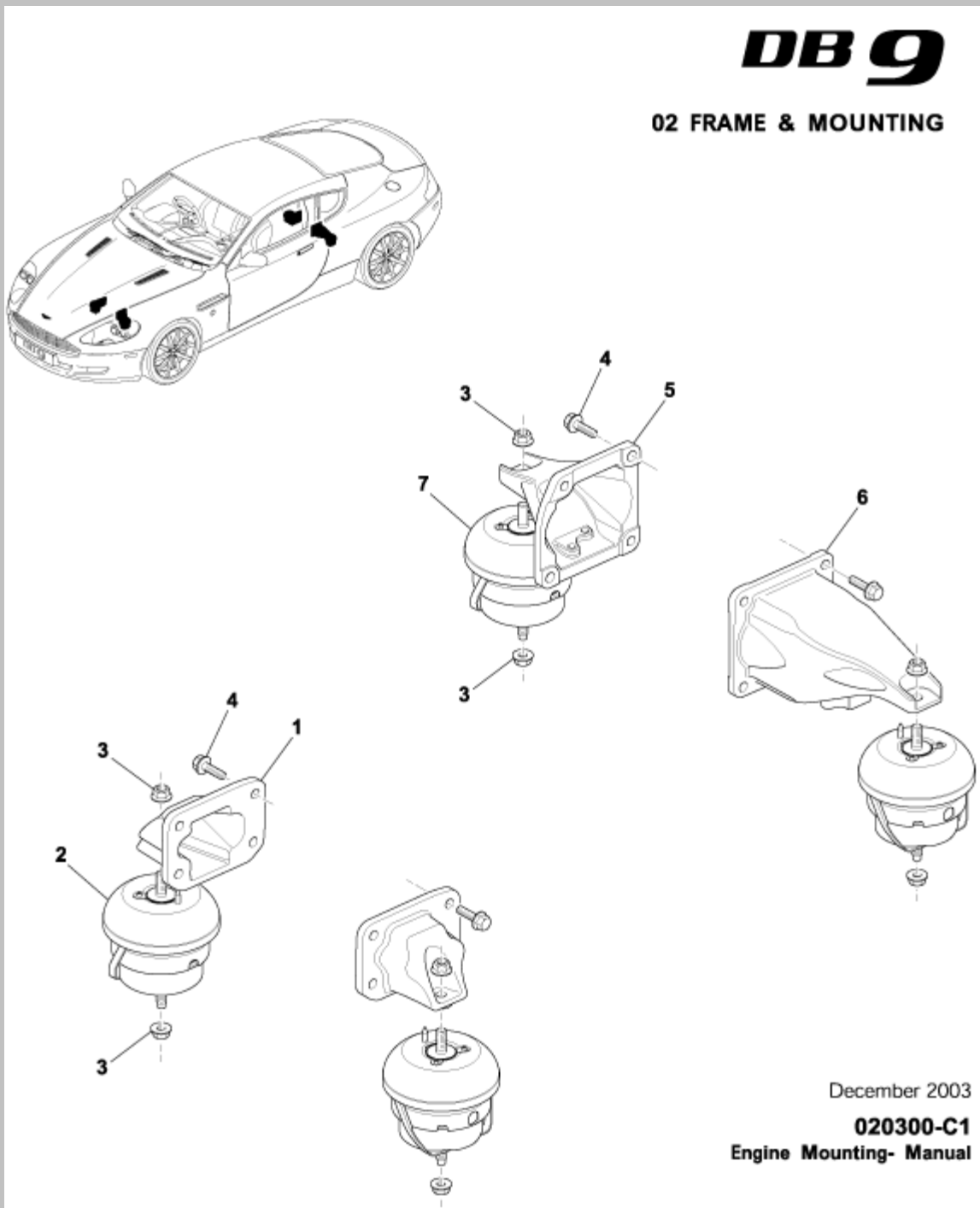
back to 02.00 FRAME & MOUNTING INDEX

Rear Frame Sub System

Item	Part Number	Description	Qty	Remarks
1	4G43-5R003-AJ	Subframe assy, rear	1	07MY
1	8G43-5R003-AB	Subframe assy, rear	1	08MY From (V) A09110
2	4G43-5D006-AA	Bush, subframe rear	4	-
3	4G43-5C365-BA	Bracket, RH	1	-
4	4G43-5C365-AA	Bracket, LH	1	-
5	701242	Bolt, M14 x 128.5	2	07MY
-	703146	Bolt, M14 x 128.5	2	08MY From (V) A09110
-	701333	Bolt, M14 x 230	2	07MY
-	703148	Bolt, M14 x 230	2	08MY From (V) A09110
6	702210	Bolt, M10 x 30	6	-
7	4G43-5A364-AA	Safety Washer	2	-
8	4G43-22-10209	X-Member	1	-
9	702131	Captive Nut M12	2	-

[Contents](#)

DB9 Frame & Mounting



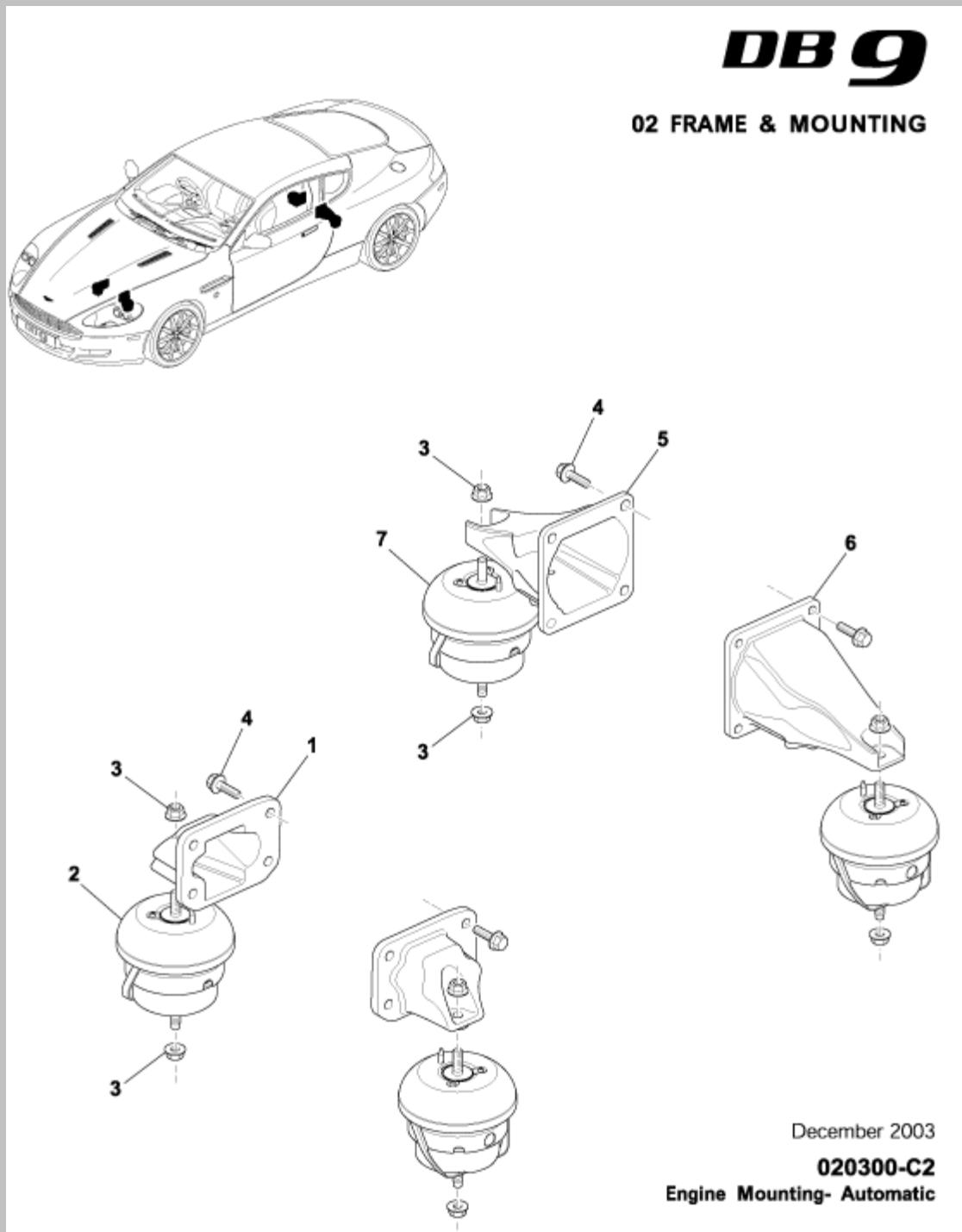
Engine Mounting - Manual

Item	Part Number	Description	Qty	Remarks
1	4G43-6030-AB	Support, engine mounting RH	1	-
-	4G43-6031-AC	Support, engine mounting LH	1	-

2	4G43-6A003-AD	Engine Hydramount	2	-
3	701243	Nut, M10 Hex Flg	8	07MY
-	703167	Nut, M10 Hex Flg	8	08MY From (V) A09110
4	700964	Screw, M10x30 Hex	8	-
-	702210	Screw, flg, M10 x 30 Hex	8	-
5	4G43-7M125-BB	Mount transmission, rear, RH	1	-
6	4G43-7M125-AB	Mount transmission, rear, LH	1	-
7	4G43-6068-AD	Transmission Hydromount	2	-

[Contents](#)

DB9 Frame & Mounting



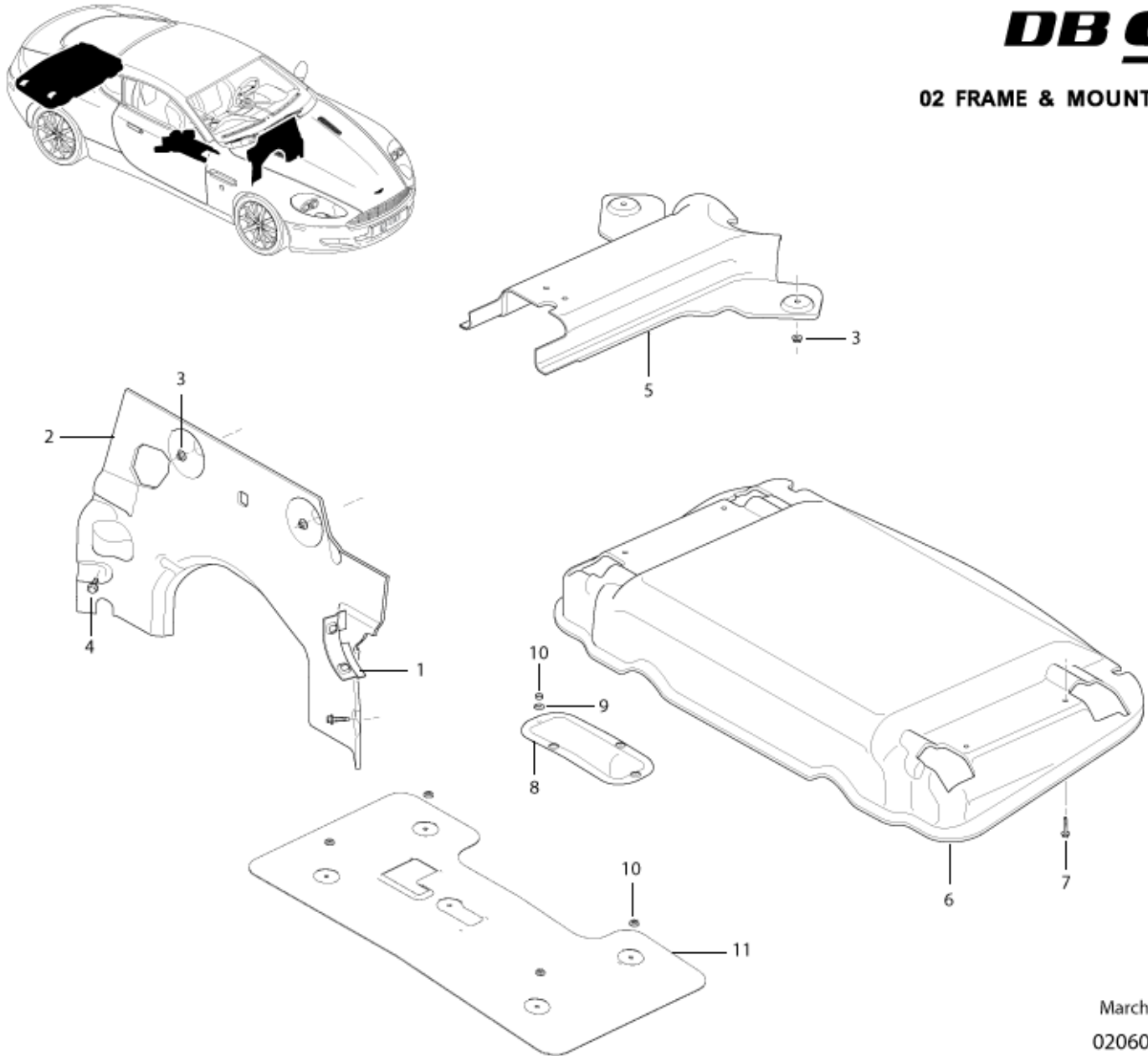
Engine Mounting - Automatic

Item	Part Number	Description	Qty	Remarks
1	4G43-6030-AB	Support, engine mounting RH	1	-
-	4G43-6031-AC	Support, engine mounting LH	1	-

2	4G43-6A003-AD	Engine Hydromount	2	-
3	701243	Nut, M10 Hex Flg	8	07MY
-	703167	Nut, M10 Hex Flg	8	08MY From (V) A09110
4	700964	Screw, M10x30 Hex	8	-
-	702210	Screw, flg, M10 x 30 Hex	8	-
5	4G43-7M125-CB	Mount transmission, rear, RH	1	-
6	4G43-7M125-DB	Mount transmission, rear, LH	1	-
7	4G43-6068-BC	Transmission Hydromount	2	Coupe
-	4G43-6068-CA	Transmission Hydromount	2	Volante

DB9

02 FRAME & MOUNTING



March 2006
020600-C1
Splash & Heat Shields, LHD

Splash & Heat Shields, LHD

Item	Part Number	Description	Qty	Remarks
1	4G43-2B485-AC	Heat shield, brake booster	1	-
2	4G43-017A16-AG	Heat shield, bulkhead, LHD	1	-
3	703612	Nut & washer assy, M6	2	-
4	701189	Screw, M6 x 16, bulkhead shield	2	07MY

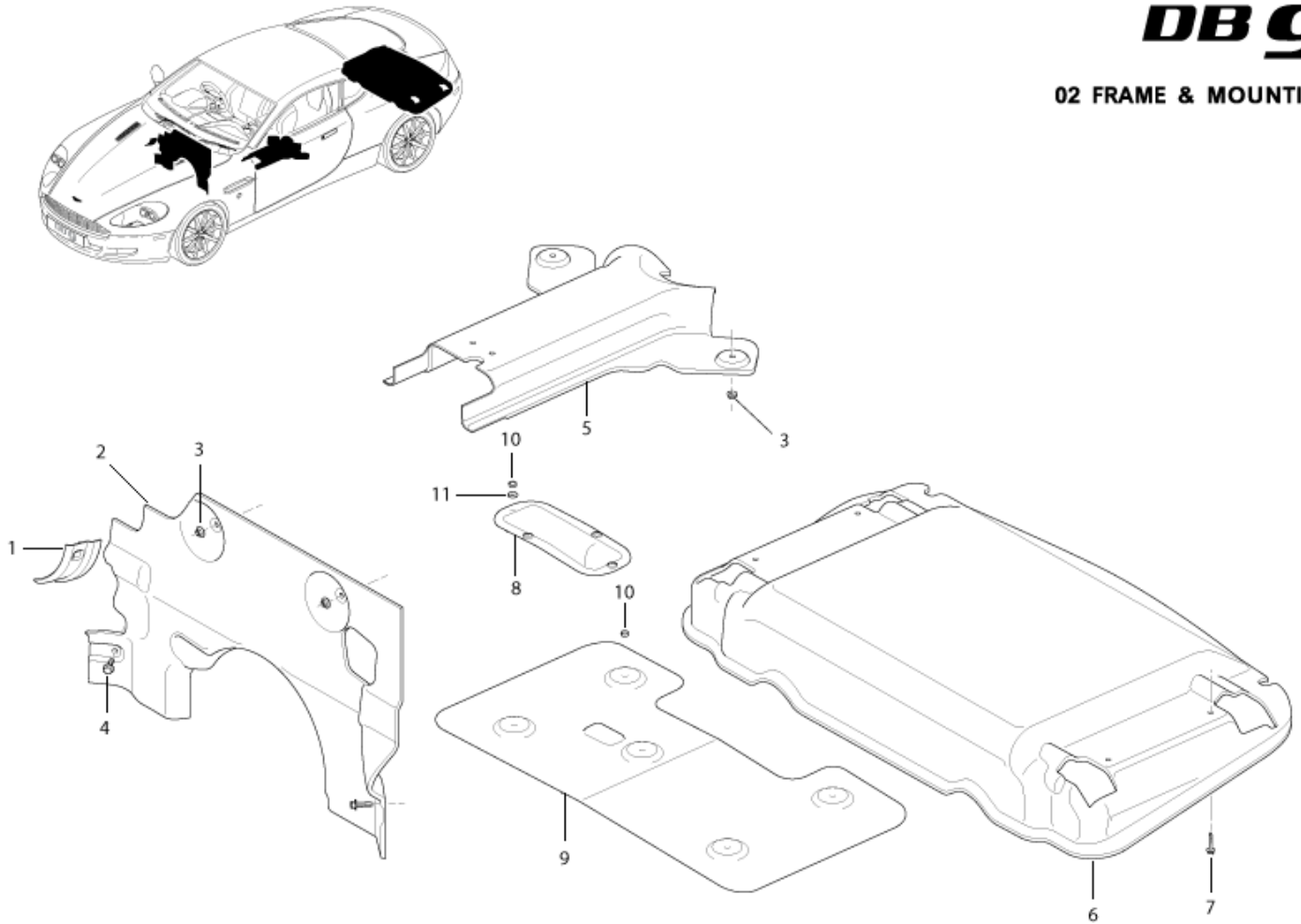
-	703145	Screw, M6 x 16, bulkhead shield	2	08MY From (V) A09110
5	4G43-4A380-AE	Heat shield, tunnel	1	-
-	703162	Nut & washer assy, M6, tunnel	4	-
-	701196	Screw, M6 x 14, bulkhead shield	2	07MY
-	703151	Screw, M6 x 14, bulkhead shield	2	08MY From (V) A09110
6	8D33-5290-AA	Heat shield, exhaust	1	-
7	700250	Bolt, M6 x 16, exhaust shield	4	07MY
-	703265	Bolt, M6 x 16, exhaust shield	4	08MY From (V) A09110
8	4G43-9B184-AB	Heatshield, fuel tank, auxiliary	1	-
9	697286	Washer, M6	4	-
10	702811	Rivet, 6.5 x 2.8, blind	8	-
11	4G43-9A032-AE	Heatshield, fuel tank	1	-

[Contents](#)

DB9 - FRAME SYSTEM

DB9

02 FRAME & MOUNTING



March 2006
020600-C2
Splash & Heat Shields, RHD

Splash & Heat Shields, RHD

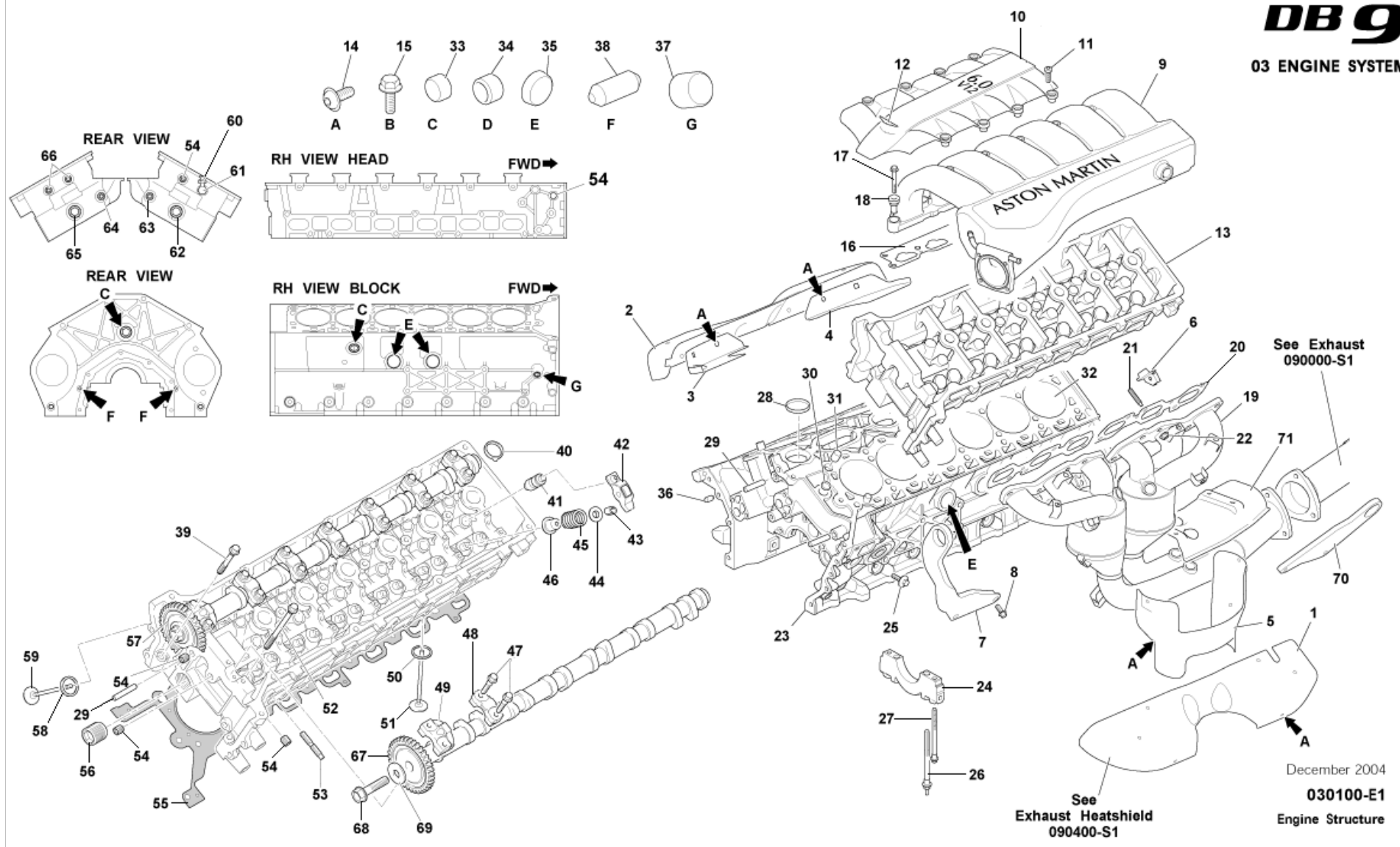
Item	Part Number	Description	Qty	Remarks
1	4G43-2B485-AC	Heat shield, brake booster	1	-
2	4G43-017A16-BG	Heat shield, bulkhead, RHD	1	-
3	703612	Nut & washer assy, M6	2	-
4	701189	Screw, M6 x 16, bulkhead shield	2	07MY
-	703145	Screw, M6 x 16, bulkhead shield	2	08MY From (V) A09110
5	4G43-4A380-AE	Heat shield, tunnel	1	-
-	703162	Nut & washer assy, M6, tunnel	4	-
-	701196	Screw, M6 x 14, bulkhead shield	2	07MY

-	703151	Screw, M6 x 14, bulkhead shield	2	08MY From (V) A09110
6	8D33-5290-AA	Heat shield, exhaust	1	-
7	700250	Bolt, M6 x 16, exhaust shield	4	07MY
-	703265	Bolt, M6 x 16, exhaust shield	4	08MY From (V) A09110
8	4G43-9B184-AB	Heatshield, fuel tank, auxiliary	1	-
9	4G43-9A032-AE	Heatshield, fuel tank	1	-
10	702811	Rivet, 6.5 x 2.8, blind	8	-
11	697286	Washer, M6	4	-

[Contents](#)

DB9 Engine System

DB9
03 ENGINE SYSTEM



Engine Structure

Item	Part Number	Description	Qty	Remarks
-	4G43-6007-AA	Engine assy, 6.0L V12	1	Up to (V) A06677

-	091487	Engine assy, remanufactured, 6.0l V12	1	Up to (V) A06677
-	7G43-6007-AA	Engine assy, 6.0l V12	1	From (V) A06678
-	091600	Engine assy, remanufactured, 6.0l V12	1	From (V) A06678
-	7G43-6007-BA	Engine assy, 6.0l V12	1	Le Mans
-	091693	Engine assy, remanufactured, 6.0l V12	1	Le Mans
-	8G43-6007-AA	Engine assy, 6.0l V12	1	09MY
-	091694	Engine assy, remanufactured, 6.0l V12	1	09MY
1	4G43-9A462-BC	Shield, exhaust manifold, LH, upper	1	-
-	700201	Screw, M6 x 14, RH manifold shield	5	-
2	4G43-9A462-AC	Shield, exhaust manifold, RH, upper	1	-
-	700201	Screw, M6 x 14, RH manifold shield	5	-
3	4G43-9A462-CC	Shield, exhaust manifold, RH/LH	2	-
-	4G43-9A462-AC	Shield, exhaust manifold, RH/LH	2	Le Mans
4	4G43-9A462-DB	Shield, exhaust manifold, RH/LH	2	-
-	4G43-9A462-BC	Shield, exhaust manifold, RH/LH	2	Le Mans
5	4G43-9N454-AD	Shield, exhaust manifold, LH	1	-
-	4G43-9N454-BC	Shield, exhaust manifold, RH	1	-
6	4G43-6K342-AA	Shield, crank sensor	1	-
7	4G43-17K055-AA	Lifting eye front, LH	1	-
-	4G43-17A084-AA	Lifting eye front, RH	1	-
8	700123	Screw, M8	6	-
9	4G4E-9424-HB	Intake, manifold assy, LH	1	Up to (V) B04711
-	4G4E-9424-HC	Intake, manifold assy, LH	1	From (V) B04712
-	4G4E-9424-KA	Intake, manifold assy, LH	1	08MY/09MY
-	7G43-9424-BA	Intake, manifold assy, LH	1	Le Mans
-	4G4E-9424-GB	Intake, manifold assy, RH	1	Up to (V) B04711
-	4G4E-9424-GC	Intake, manifold assy, RH	1	From (V) B04712
-	4G4E-9424-JA	Intake, manifold assy, RH	1	08MY
-	7G43-9424-AA	Intake, manifold assy, RH	1	Le Mans
-	8G43-9424-AB	Intake, manifold assy, RH	1	09MY
-	4G43-2A411-A-P1A5	Blanking plug, intake manifold	1	-
10	4G4E-9J444-CA	Support, intake manifold	1	-
-	7G43-9J444-AA	Support, intake manifold	1	Le Mans
-	8G43-9J444-AA	Support, intake manifold	1	09MY
11	699842	Screw, M6, Pan head	8	-
-	703703	Bolt, M4 x 12	20	Le Mans
12	4G43-001B46-AB	Wing badge, manifold	1	-
13	4G43-06-10846	Cylinder head assy, LH, complete with valves & cams	1	-
-	4G43-06-10845	Cylinder head assy, RH, complete with valves & cams	1	-

14	701192	Screw, flg, M6, torx	8	-
15	700201	Screw, M6 x 14	12	-
16	1R12-08-10077	Gasket, inlet manifold	2	-
17	702852	Bolt, M6 x 53, inlet manifold	14	-
18	4G43-08-10002	Isolator, inlet manifold	14	-
19	4G4E-5G232-BD	Exhaust manifold assembly, LH	1	-
-	8G43-5G232-AA	Exhaust manifold assembly, LH	1	09MY
-	4G4E-5G236-BE	Exhaust manifold assembly, RH	1	-
-	8G43-5G236-AA	Exhaust manifold assembly, RH	1	09MY
20	4G43-35-10003	Gasket, exhaust manifold	4	-
21	700136	Stud, M8	24	-
22	697775	Nut, M8	24	-
23	4G4E-6010-AC	Cylinder block assy	1	-
24	1R12-01-10375	Main bearing cap	7	-
25	XF3E-6C358-AC	Bolt, main bearing cap, (side)	14	-
26	4G43-01-10203	Bolt, main bearing cap, (M10 x 91)	14	-
-	01-85133	Bolt, M10, main bearing cap, (stud)	4	-
27	4G43-01-10202	Bolt, M8, main Bearing Cap	8	-
28	01-85000	Plug, cup	4	-
29	01-84996	Dowel, pin	2	-
30	01-85001	Plug, cup	1	-
31	01-84994	Dowel	4	-
32	01-84993	Sleeve, cylinder bore	12	-
33	01-84998	Plug, 3/4" X 14	3	-
34	699134	Dowel	2	-
35	01-84997	Plug, cup	4	-
36	01-84995	Dowel, pin	2	-
37	01-84999	Plug, 1/4" X 18 PTF	5	-
38	699132	Dowel	2	-
39	06-85052	Bolt, flg, M8 x 32	4	-
40	07-85366	Gasket, spark plug hole	12	-
41	06-85042	Adjuster assy, valve lash	48	-
42	06-85914	Rocker arm assy	48	-
43	06-85041	Key, valve spring	96	-
44	06-85040	Retainer, valve spring	48	-
45	1R12-06-10062	Spring, valve	48	-
46	06-85038	Seal assy, valve stem	48	-
47	06-85321	Bolt, M6 X 40, bearing caps	56	-

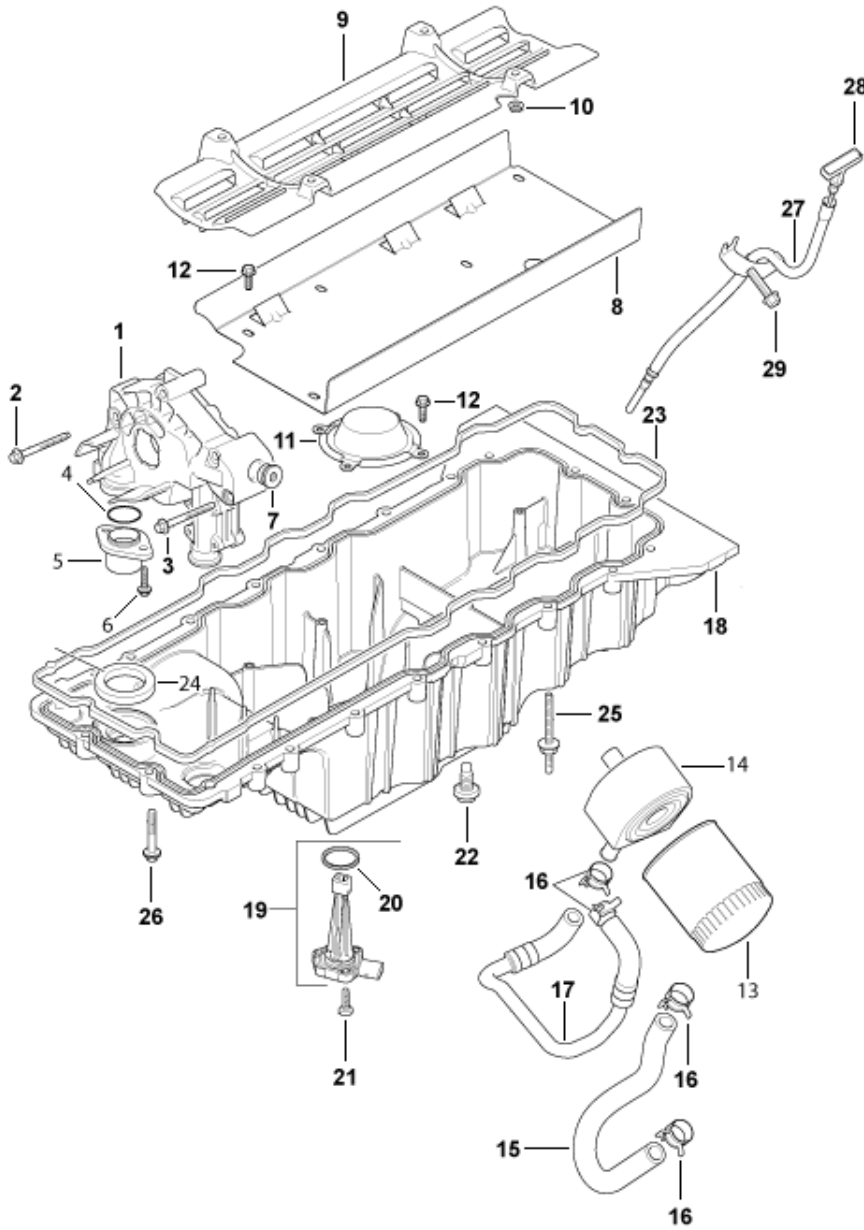
48	6L8E-6B280-AA	Cap, camshaft bearing	24	NSS
49	8G43-6B280-AA	Cap, camshaft bearing, front	4	NSS
50	06-85033	Insert, valve seat, intake	24	-
51	4G43-06-10577	Valve, inlet	24	-
52	06-86044	Bolt, M10 x 151.5	28	-
53	700136	Stud, M8	24	-
54	01-84999	Plug, 1/4" X 18 PTF	5	-
55	1R12-06-10469	Gasket, cylinder head, LH	1	-
-	1R12-06-10468	Gasket, cylinder head, RH	1	-
56	06-85032	Plug, 1" X 11.5	1	-
57	7G4E-6A267-AB	Camshaft & sprocket inlet assy, LH	1	Pre 07MY
-	7G4E-6A266-AB	Camshaft & sprocket inlet assy, RH	1	Pre 07MY
-	4G43-07-10207	Camshaft & sprocket inlet assy, LH	1	07MY onwards
-	4G43-07-10034	Camshaft & sprocket inlet assy, RH	1	07MY onwards
58	06-85034	Insert, valve seat, exhaust	24	-
-	06-85035	Bushing, valve guide	48	-
59	06-85037	Valve, exhaust	24	-
60	1R12-39-10532	Switch assy, oil pressure sensor	1	-
61	1R1E-9B339-AB	Adaptor, oil pressure sender	1	-
62	01-84998	Plug, 3/4" X 14	1	-
63	06-85031	Plug, 3/8" X 14	1	-
64	06-85031	Plug, 3/8" X 14	1	-
65	01-84998	Plug, 3/4" X 14	1	-
66	01-84999	Plug, 1/4" X 18 PTF	5	-
67	7G4E-6A269-AB	Camshaft & sprocket exhaust assy, LH	1	Pre 07MY
-	7G4E-6A268-AB	Camshaft & sprocket exhaust assy, RH	1	Pre 07MY
-	4G43-07-10208	Camshaft & sprocket exhaust assy, LH	1	07MY onwards
-	4G43-07-10035	Camshaft & sprocket exhaust assy, RH	1	07MY onwards
68	701334	Bolt, M12 x 52.5, camshaft sprockets	4	-
69	07-85074	Washer, 14 x 47.5 x 6.35, sprockets	4	-
70	4G43-17K056-AA	Lifting eye rear	2	-
71	4G43-C5K286-AC	Heatshield, exhaust pipe	1	-
-	1R12-02-10537	Piston oil squirter	12	-

[Contents](#)

DB9 Engine System

DB9

03 ENGINE SYSTEM



June 2008
030200-E1
Engine Lubrication

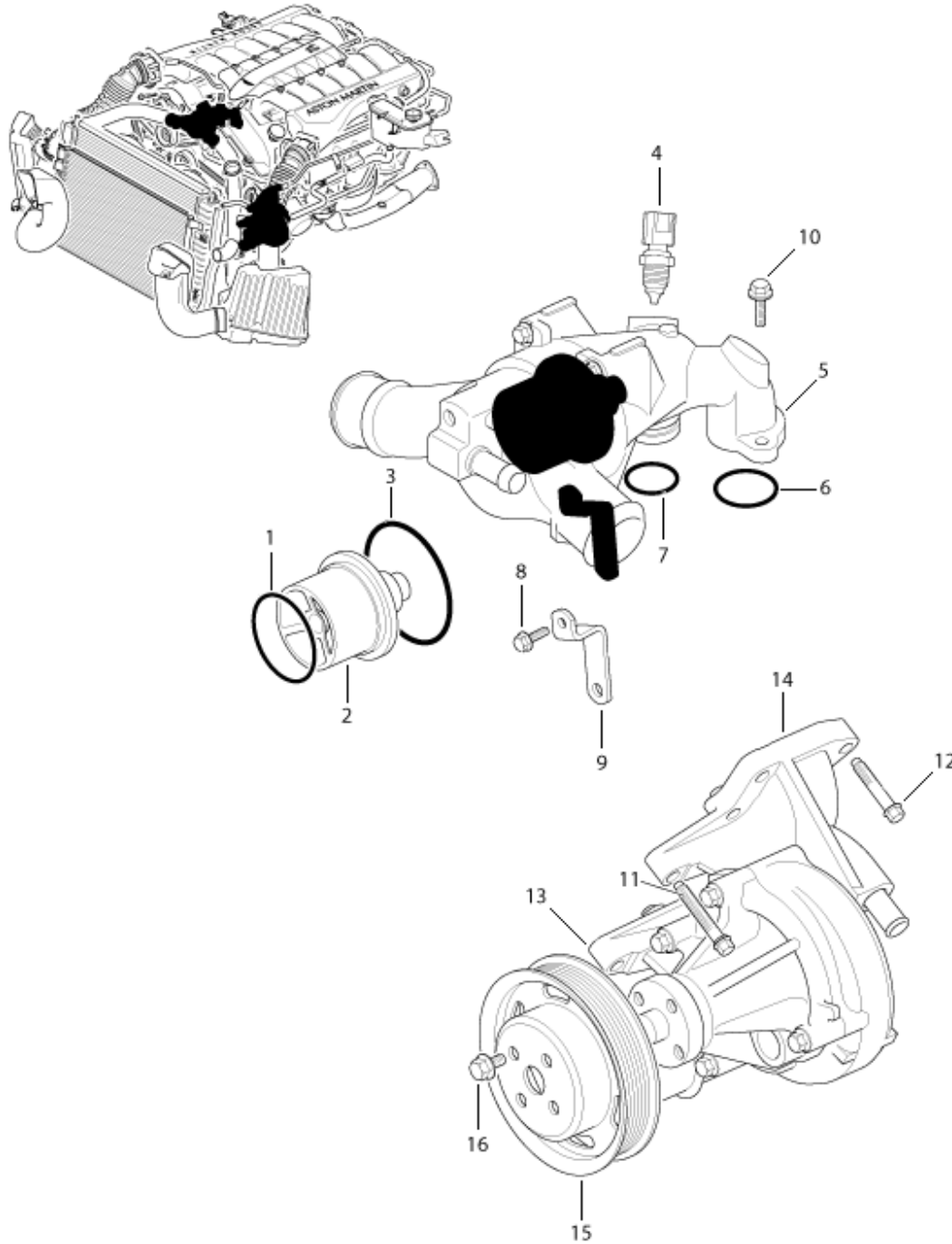
Engine Lubrication

Item	Part Number	Description	Qty	Remarks
1	4G4E-6621-AD	Pump, engine oil	1	-
2	702552	Bolt, M8 x 70	4	-

3	703701	Bolt, flg, M6 x 70	1	-
4	1R12-04-10351	O-ring, dia 35 x 2.62	1	-
5	4G4E-6617-AA	Tube assy	1	-
6	702603	Screw, flg, M6 x 22, oil tube	2	-
7	1R1E-6C604-AB	Plug oil pump	1	-
-	1R1E-6C604-AC	Plug oil pump	1	08MY onwards
-	XR1E-6670-AB	Spring, oil pump relief valve	1	-
-	XR1E-6674-AA	Plunger, oil pump relief valve	1	-
8	8D33-6686-AA	Baffle, oil pan	1	08MY
-	8D33-6686-AC	Baffle, oil pan	1	09MY
9	4G4E-6B660-BA	Baffle, windage tray	1	-
10	703168	Nut, flg, M6	4	-
11	4G4E-6622-BA	Screen and cover assy, oil pump	1	-
12	702601	Bolt, flg, M6 x 18.5	9	-
13	XR1E-6714-AC	Oil filter	1	-
-	44-85099	Oil filter	1	08MY
-	4G43-44-10818	Oil filter - (single)	1	09MY
-	4G43-44-10818-PK	Oil filter - (pack of 12)	1	09MY
14	44-85095	Cooler assy, engine oil	1	-
-	4G43-44-10007	Insert, oil cooler mounting bolt	1	-
15	4G4E-8B451-BA	Hose	1	-
16	702858	Clamp 23.9	4	09MY
17	4G4E-6N867-BB	Tube and hose assy	1	-
18	4G4E-6675-CC	Oil pan assy	1	08MY
-	8D33-6675-DA	Oil pan assy	1	09MY
-	8D33-6676-DA	Oil pan	1	09MY
19	4G43-04-10972	Sensor assy, engine low oil	1	-
20	8W93-6C624-BB	Gasket, engine low oil sensor	1	Part of 19
21	700607	Screw M6 x 20 hex flg head	3	-
22	4G43-04-10205	Drain plug	1	-
23	04-85092	Gasket, oil pan	1	-
24	4G4E-6A731-AA	Seal, oil pump pick up tube	1	-
25	702604	Stud and washer	5	-
26	702605	Bolt, M8 x 45	15	-
-	702853	Bolt, M8 x 47.5	15	09MY
27	4G4E-6754-AD	Tube assy, oil level indicator	1	-
28	4G4E-6750-AA	Dip stick	1	-
-	8D33-6750-BA	Dip stick	1	-
29	701745	Bolt, M8 flange head, dip stick tube	1	-

DB9

03 ENGINE SYSTEM



April 2008
030300-E1
Engine Cooling

Engine Cooling

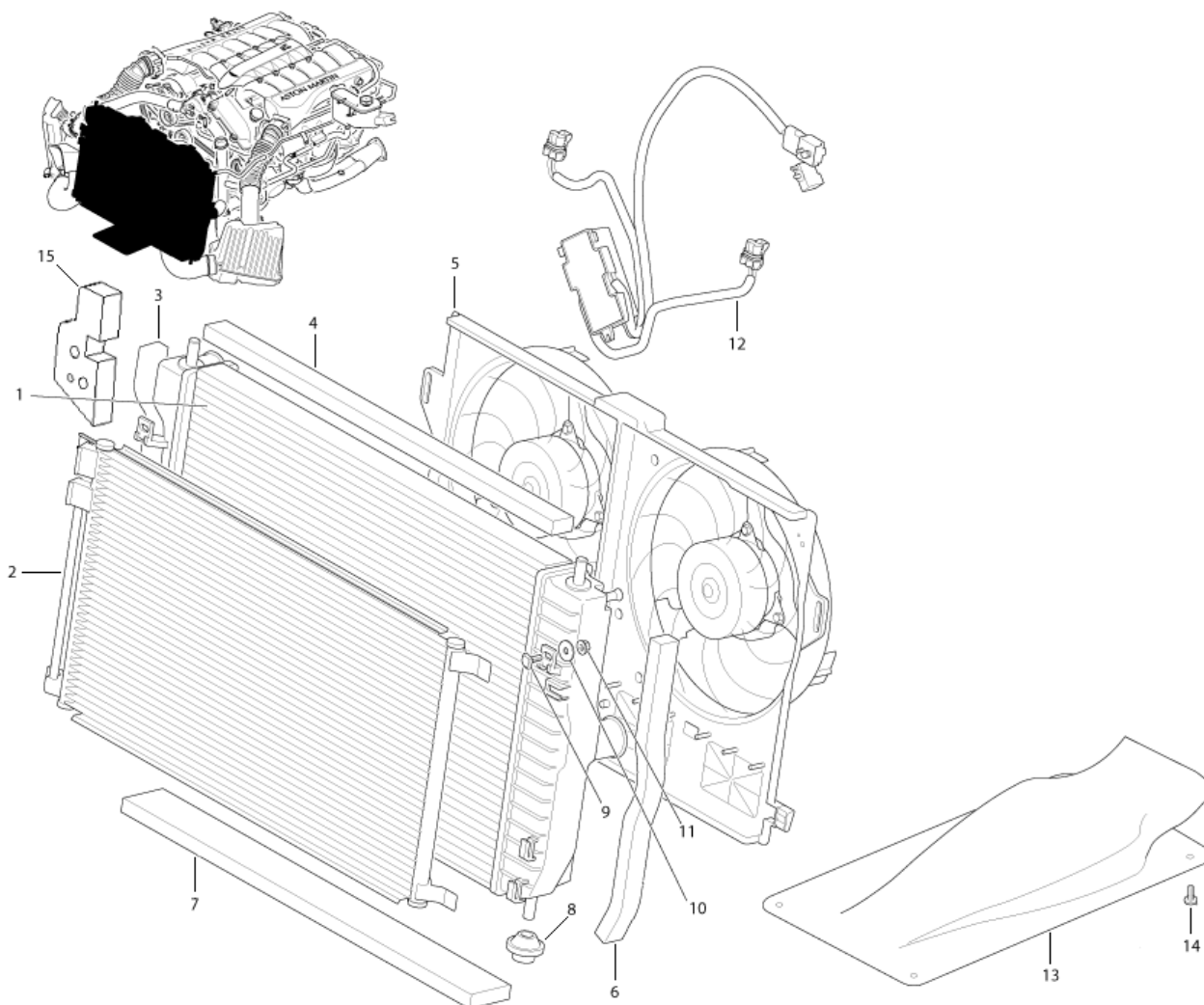
Item	Part Number	Description	Qty	Remarks
-	7G43-9K478-AA	Housing assy, thermostat	1	07MY
-	8G43-9K478-AA	Housing assy, thermostat	1	08MY
1	32-85116	Seal	1	-

2	4G4E-8575-AB	Thermostat assy	1	-
3	32-85114	O-Ring	1	-
4	6G43-39-10080	Sensor, Engine Cool Temp	1	-
5	7G43-8A586-AA	Water crossover assy	1	07MY
-	8G43-8A586-AA	Water crossover assy	1	08MY
6	32-85112	O-Ring	1	-
7	32-85113	O-Ring	1	-
8	702855	Bolt and washer, M6	1	-
9	32-85115	Bracket, thermostat connector	1	-
-	7G43-8A588-AA	Bracket, thermostat connector	1	08MY
10	702855	Bolt and washer, M6	3	-
11	697741	Bolt and washer, M8	3	-
12	702842	Bolt, M8 x 41	3	-
13	7G43-8K168-AB	Water pump assy	1	07MY
-	8G43-8K168-AA	Water pump assy	1	08MY
-	8G43-8K168-BA	Water pump assy	1	09MY
14	4G4E-8A513-CE	Cover, water pump	1	-
-	7G43-8A513-AA	Cover, water pump	1	07MY
-	8G43-8A513-BA	Cover, water pump	1	09MY
15	05-85104	Pulley, water Pump	1	-
16	702843	Screw and washer, M8	4	-
-	702846	Bolt, M8 x 45, Water Pump nose to cover	4	-
-	05-85382	Gasket, water pump	1	-
-	4G43-18482-AA	Guard, water pump hose	1	-

[Contents](#)

DB9 - ENGINE SYSTEM

DB9
03 ENGINE SYSTEM



April 2008
030300-S1
Engine Cooling

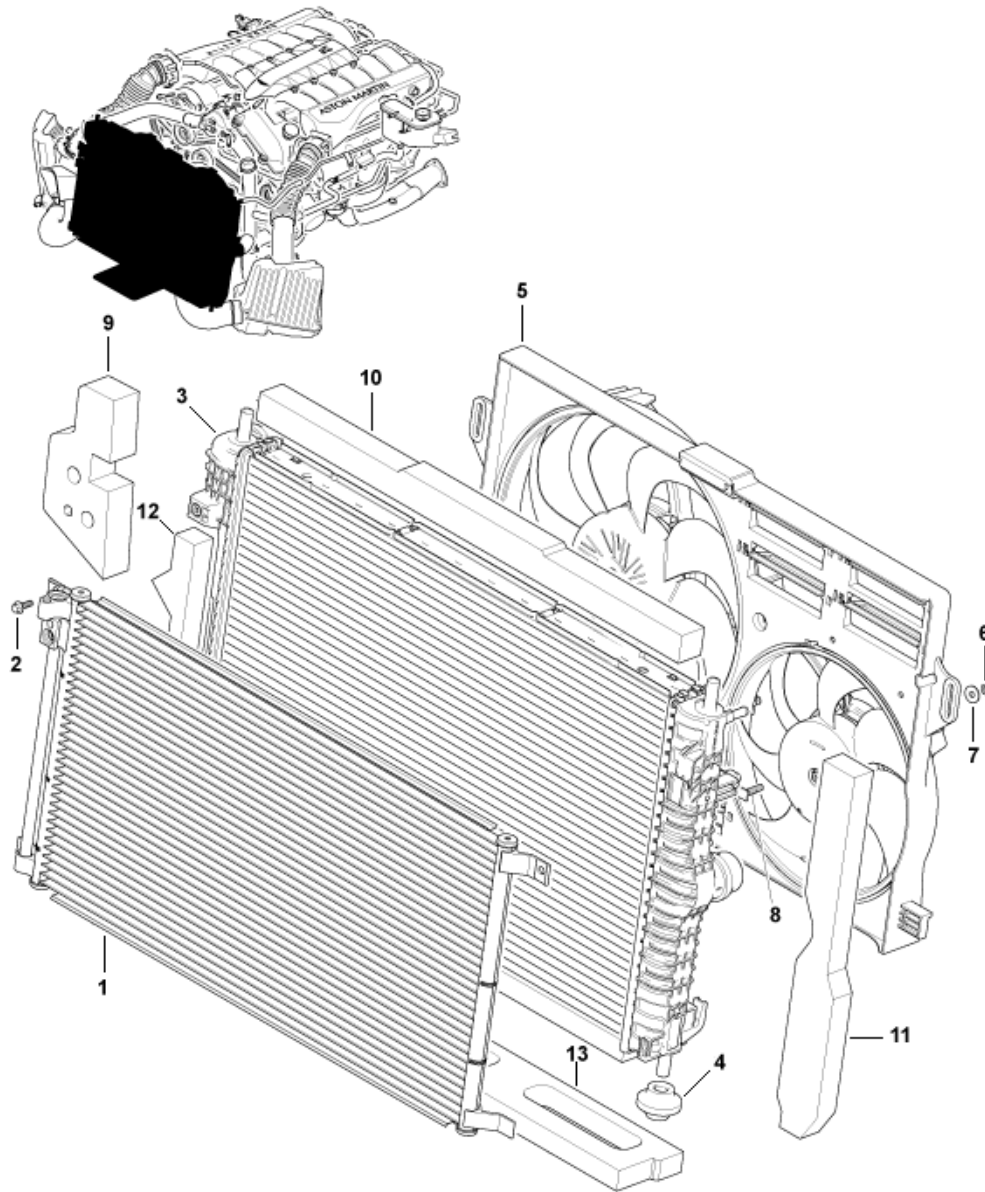
Engine Cooling

Item	Part Number	Description	Qty	Remarks
-	4G43-8C342-AC	Radiator and condenser assy	1	07MY
-	4G43-8C342-AD	Radiator and condenser assy	1	07/08MY
1	32-121574-AD	Radiator assy	1	07MY
-	8D33-8005-AB	Radiator assy	1	08MY
2	9G43-19710-AA	Condenser	1	-
3	4G43-F8B171-AA	Seal, radiator	1	07MY
-	8D33-F8B170-AA	Seal, radiator, RH	1	08MY
4	4G43-8N301-AB	Seal, radiator	1	07MY
-	8D33-8N301-AA	Seal, radiator	1	08MY
5	4G43-8C607-AA	Fan and motor assy, radiator	1	-
6	4G43-F8B171-AA	Seal, radiator	1	07MY
-	8D33-F8B171-AA	Seal, radiator, LH	1	08MY

7	4G43-8C477-AB	Seal, radiator	1	07MY
-	8D33-8C477-AA	Seal, radiator	1	08MY
8	32-85101	Bush, mounting	4	-
9	697751	Bolt, M6, square head	2	07MY
-	E805262-S437	Bolt, M6 x 19, square head	2	08MY
10	699614	Washer	2	-
11	697122	Nut, M6	2	07MY
-	703168	Nut, M6	2	08MY
12	4G43-37-10479	Fan module	1	-
13	4G43-01904-BA	Duct, air inlet	1	-
14	701433	Screw and washer, M6 x 18	4	-
-	4G43-37-10264	Fuse, 60A yellow, cooling fan motor	1	-
15	4G43-C8585-BA	Foam pad	1	-
-	1R12-322666-AA	Antifreeze	A/R	-
-	6G43-4190-AA	Radiator	1	Extreme cooling pack
-	6G43-445396-AA	Oil cooler	1	Extreme cooling pack
-	6G43-13A803-AA	Bracket, horn mounting	1	Extreme cooling pack
-	6G43-8B414-AA	Bush, mounting	4	Extreme cooling pack
-	6G43-8C477-AA	Seal, radiator, lower	1	Extreme cooling pack
-	6G43-8N301-AA	Seal, radiator, upper	1	Extreme cooling pack
-	4G43-F8B171-AA	Seal, radiator	2	Extreme cooling pack
-	4G43-C8585-BA	Foam pad	1	Extreme cooling pack

DB9

03 ENGINE SYSTEM



April 2008
030300-S2
Engine Cooling 09MY

Engine Cooling 09MY

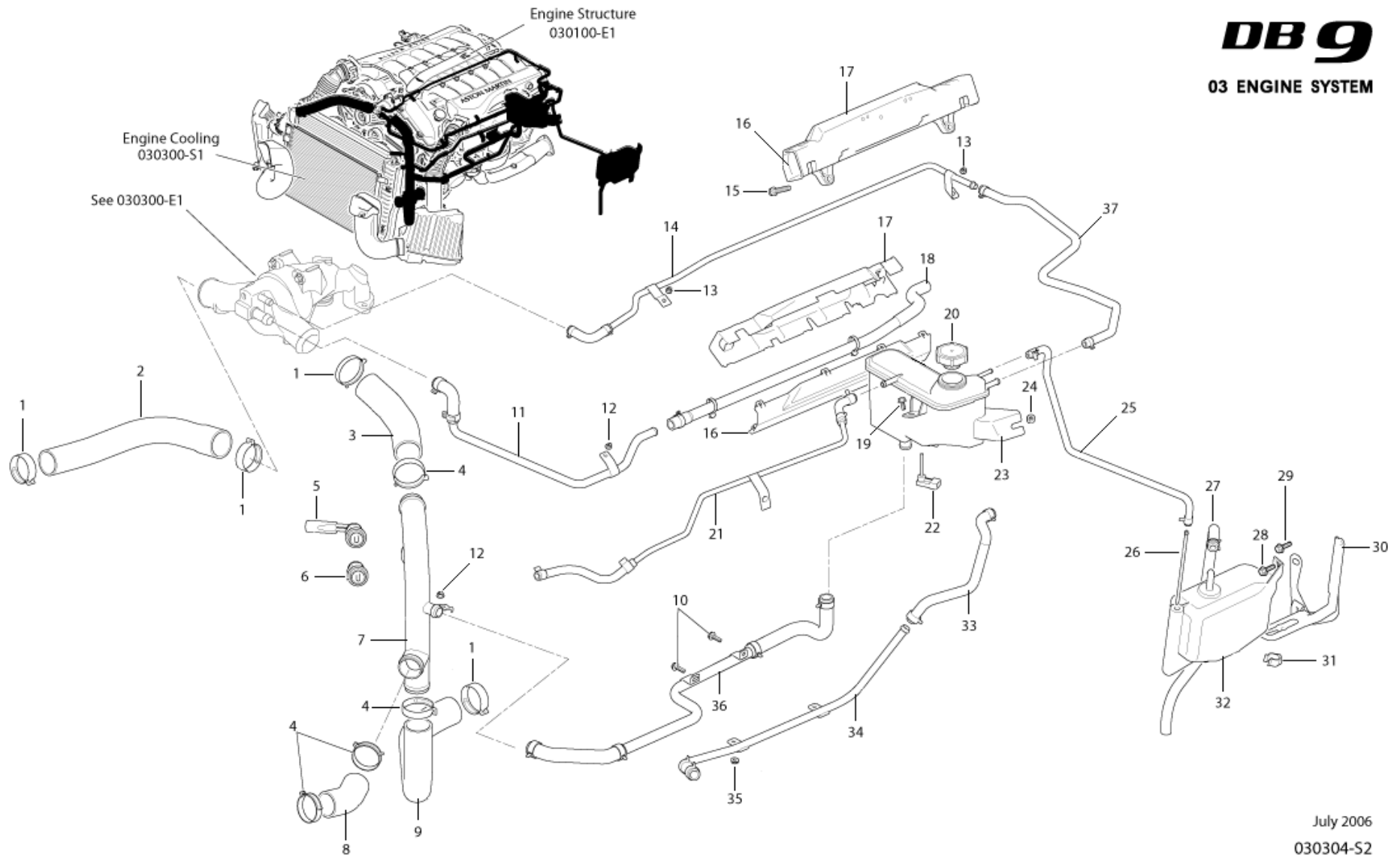
Item	Part Number	Description	Qty	Remarks
1	9G43-19710-AA	Condenser	1	-
2	703750	Bolt, flg, M6 x 20	1	-
3	8D33-8005-AB	Radiator assy	1	-
4	32-84101	Bush, mounting	4	-
5	8D33-8C607-AC	Fan and motor assy, radiator	1	-
6	703168	Nut, flg, M6	2	-
7	699614	Washer, plain	2	-

8	703728	Bolt, M6 x 19 square head	2	-
9	4G43-C8585-BA	Foam pad	1	-
10	8D33-8N301-AA	Seal, radiator air upper	1	-
11	8D33-F8B171-AA	Seal, radiator LH	1	-
12	8D33-F8B170-AA	Seal, radiator RH	1	-
13	8D33-8C477-AA	Seal, radiator air lower	1	-
-	4G43-37-10962	Fuse, 80A, cooling fan motor	1	-
-	1R12-322666-AA	Antifreeze	A/R	-

[Contents](#)

DB9 - ENGINE SYSTEM

DB9
03 ENGINE SYSTEM



July 2006
030304-S2
Coolant Hoses Up to (V) A04068

Coolant Hoses Up To (V) A04068

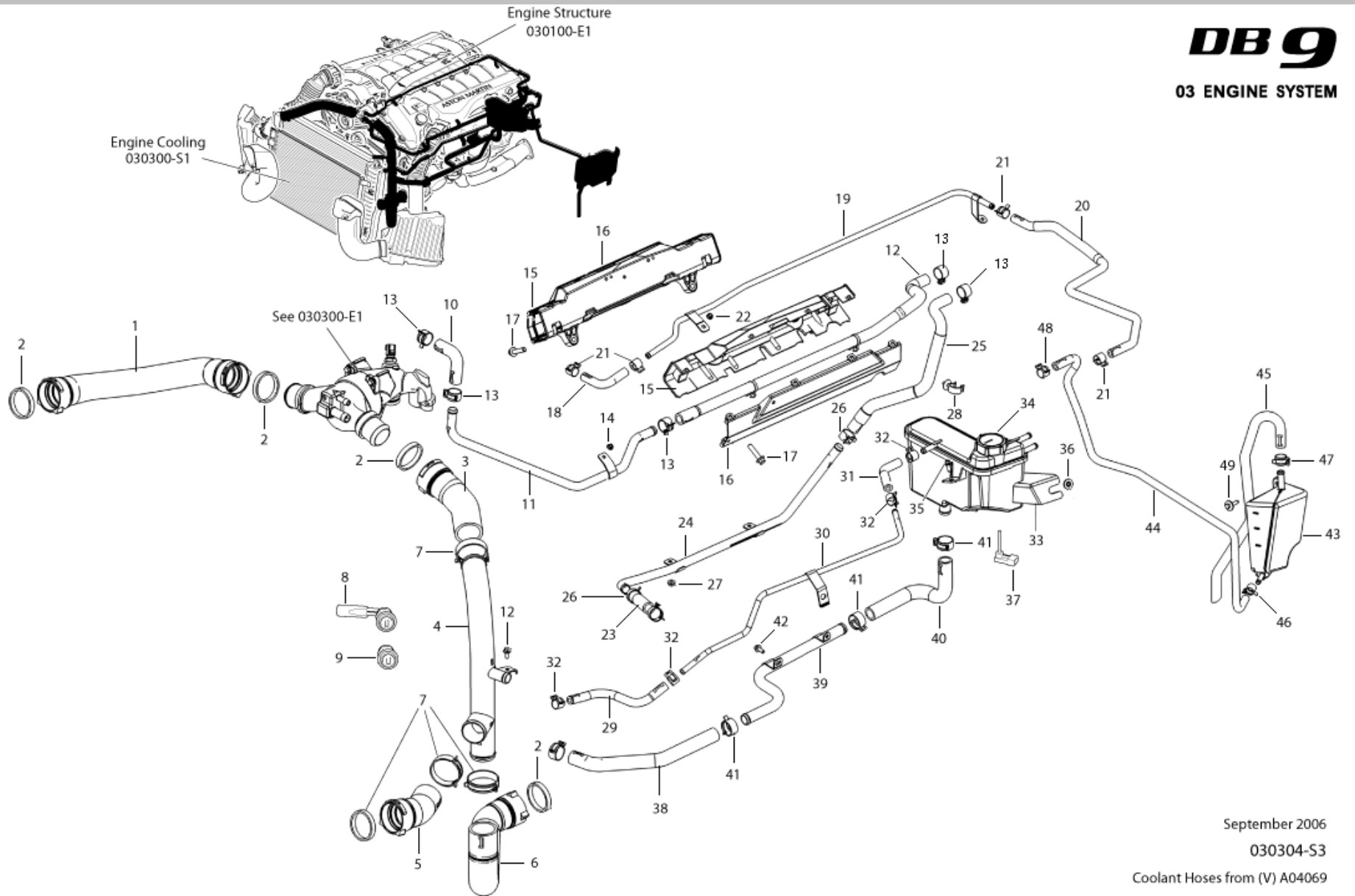
Item	Part Number	Description	Qty	Remarks
------	-------------	-------------	-----	---------

1	697660	Clamp	4	-
2	4G43-8333-AE	Hose radiator	1	-
3	4G43-8C350-AB-PIA2	Tube, manifold to thermostat	1	-
4	697660	Clamp, heavy duty	4	-
5	1R12-32-10112	Heater, engine block	1	-
6	1R12-32-10113	Heater, block	1	-
7	4G43-8555-AF	Tube assy, water bypass, incl hoses	1	-
-	4G43-8555-AD PIA1	Tube, water pypass	1	-
8	4G43-8555-AD-PIA4	Hose, cooling return	1	-
9	4G43-8555-CA	Hose, radiator to water pump	1	-
10	700211	Screw, M6	2	-
11	4G43-8584-AD	Tube, heater feed	1	-
12	700231	Nut, flg, M5	3	-
13	700231	Nut, flg, M5	2	-
14	4G43-8003-AG	Tube, radiator supply tank	1	-
-	4G43-8003-BA	Hose, therm hsg/pipe crossover bleed	1	-
15	700229	Bolt, M8 x 35	4	-
16	4G43-6793-AB	Cover, top	1	-
17	4G43-4867-AB	Cover assy, bottom	1	-
18	4G43-18D334-BC	Hose, heater inlet, RHD	1	-
-	4G43-18D334-AC	Hose, heater inlet, LHD	1	-
19	700211	Screw, M6	1	-
20	4G43-8101-AA	Cap, radiator	1	-
21	4G43-8C363-AE	Tube, radiator breather	1	-
22	1R12-37-10166	Sensor, expansion tank	1	-
23	4G43-19B518-AC	Tank, expansion	1	-
24	703612	Nut and washer, M6	1	-
25	4G43-8B081-AE	Hose, expansion tank to coolant recovery tank	1	-
26	1R12-323639-AC	Tube, recovery	1	-
27	4G43-8N029-AE	Hose, radiator overflow exit	1	-
28	700211	Screw, M6	1	-
29	701667	Bolt and washer, M6	2	-
30	4G43-8C087-AC	Bracket, radiator reservoir	1	-
31	701172	Clip, push in	1	-
32	1R12-32-10271	Tank assy, coolant recovery	1	-
33	4G43-18D359-BC	Hose heater outlet, RHD	1	-
-	4G43-18D359-AC	Hose heater outlet, LHD	1	-

34	4G43-18674-AE	Tube heater return	1	-
35	701345	Nut, M6	2	-
36	4G43-8C350-AD	Tube, expansion tank to bypass hose	1	-
37	4G43-8063-AE	Hose, engine to supply tank	1	-

DB9

03 ENGINE SYSTEM



September 2006

030304-S3

Coolant Hoses from (V) A04069

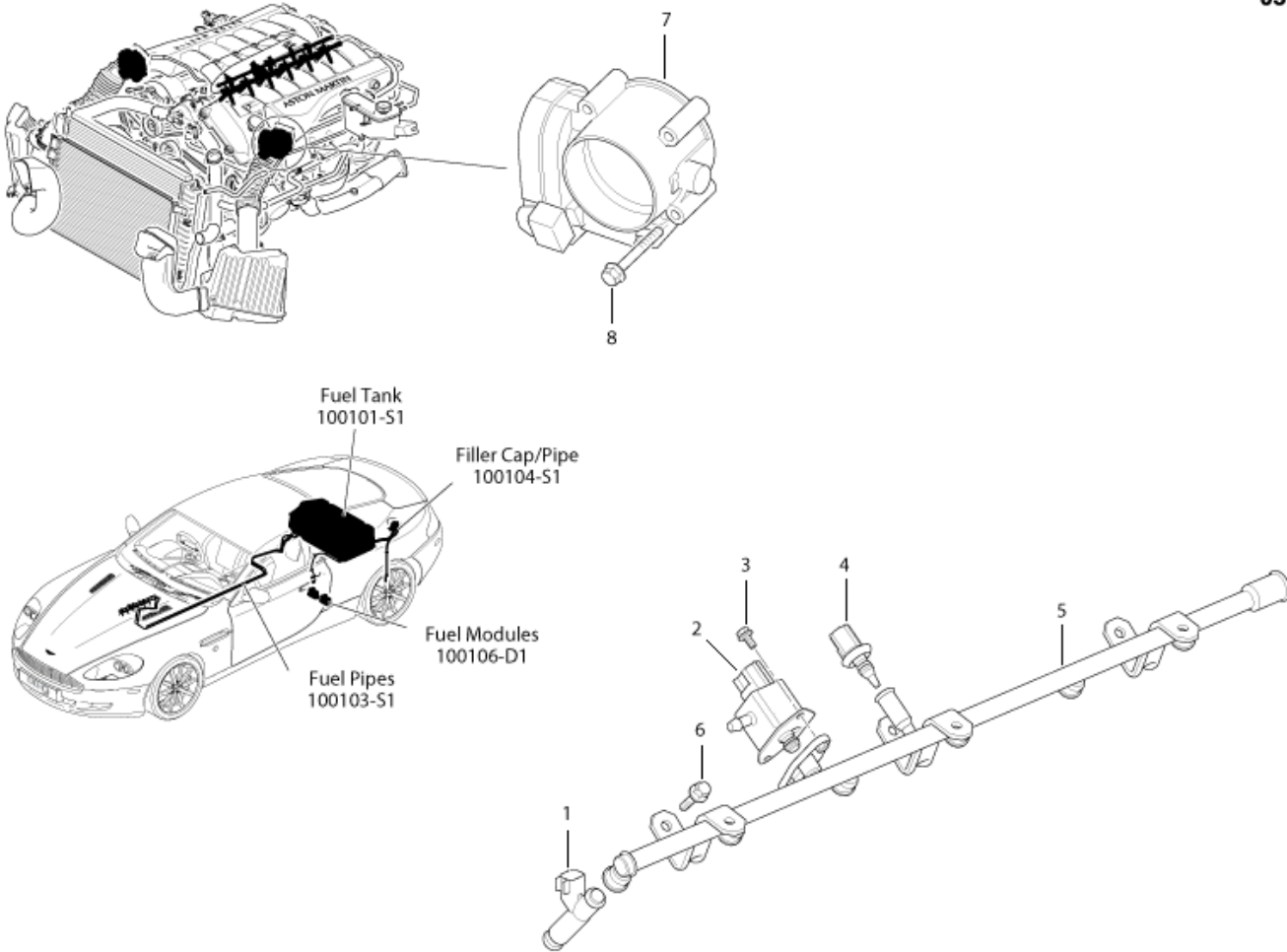
Coolant Hoses From (V)A04069

Item	Part Number	Description	Qty	Remarks
1	4G43-8333-AE	Hose radiator	1	07MY
-	8D33-8333-AA	Hose radiator	1	08MY
2	697660	Clamp	4	07MY
-	702903	Clamp, heavy duty	4	08MY
-	4G43-8555-HA	Tube assy, water bypass including hoses	1	-
3	4G43-8555-EA	Tube, manifold to thermostat	1	-
4	4G43-8555-GA	Hose, radiator to water pump	1	-
5	4G43-8555-FA	Hose, cooling return	1	-
-	8D33-8555-DA	Hose, cooling return	1	09MY
6	4G43-8555-CA	Tube assy, water bypass, including hoses	1	-
-	8D33-8555-BA	Tube assy, water bypass, including hoses	1	09MY
7	702903	Clamp, heavy duty	4	-
8	1R12-32-10112	Heater, engine block	1	-
9	1R12-32-10113	Heater, block	1	-
-	4G43-8584-EA	Tube assy, heater feed	1	-
10	4G43-8584-BA	Hose, thermo up	1	-
11	4G43-8584-DA	Tube, heater Inlet	1	-
12	4G43-18D334-BC	Hose, heater inlet, RHD	1	-
-	4G43-18D334-AC	Hose, heater inlet, LHD	1	-
13	702901	Clamp, spring band 23 x 15	3	-
14	700231	Nut, flg, M5	3	-
15	4G43-4867-AB	Cover assy, bottom	2	-
16	4G43-6793-AC	Cover, top	2	-
17	700229	Bolt, M8 x 35	4	-
-	4G43-8003-FA	Pipe assy, crossover bleed	1	-
18	4G43-8003CA	Hose, therm housing crossover bleed	1	-
19	4G43-8003-EA	Pipe, crossover bleed	1	-
20	4G43-8063-AE	Hose, engine degas	1	-
21	702904	Clamp, spring band 17 x 15	4	-
22	700231	Nut, flg, M5	2	-
-	4G43-18674-EA	Tube assy, heater return	1	-
23	4G43-18674-BA	Hose, water heater outlet	1	-
24	4G43-18674-DA	Tube, water heater outlet	1	-
25	4G43-18D359-BC	Hose heater outlet, RHD	1	-
-	4G43-18D359-AC	Hose heater outlet, LHD	1	-
26	702901	Clamp, spring band 23 x 15	2	-

27	701345	Nut, M6	2	-
28	701570	Clip	1	-
-	4G43-8C363-FA	Tube assy, radiator breather	1	-
29	4G43-8C363-BA	Hose, radiator supply tank	1	-
30	4G43-8C363-CB	Tube, supply tank	1	-
31	4G43-8C363-DA	Hose, expansion tank	1	-
32	702904	Clamp, spring band 17 x 15	4	-
33	4G43-19B518-AD	Tank, expansion	1	-
34	4G43-8101-AA	Cap, expansion tank	1	-
35	700211	Screw M6 x 14	2	07MY
-	703264	Screw, M6 x 16	2	08MY
36	703612	Nut and washer, M6	1	-
37	1R12-37-10166	Sensor, expansion tank	1	-
-	4G43-8C350-AD	Tube assy, expansion tank to bypass	1	-
38	4G43-8C350-CA	Hose, engine cool reservoir	1	-
39	4G43-8C350-FA	Tube, radiator fill	1	-
40	4G43-8C350-EA	Hose, engine cool reservoir	1	-
41	702902	Clamp, spring band 25 x 15	4	-
42	700211	Screw, M6	1	07MY
-	703264	Screw, M6 x 16	1	08MY
43	6G33-TBD2-AA	Tank, overflow	1	-
44	4G43-8B081-AG	Hose, expansion tank to coolant recovery tank	1	-
45	4G43-8N029-AG	Hose, radiator overflow	1	-
46		Clamp, spring band 15 x 15	4	-
47		Clamp, spring band 19 x 15	4	-
48	702904	Clamp, spring band 17 x 15	4	-
49	701667	Bolt/washer, M6 x 25	2	-

DB9

03 ENGINE SYSTEM



June 2007
030400-E1
Fuel Charging and Controls

Fuel Charging and Controls

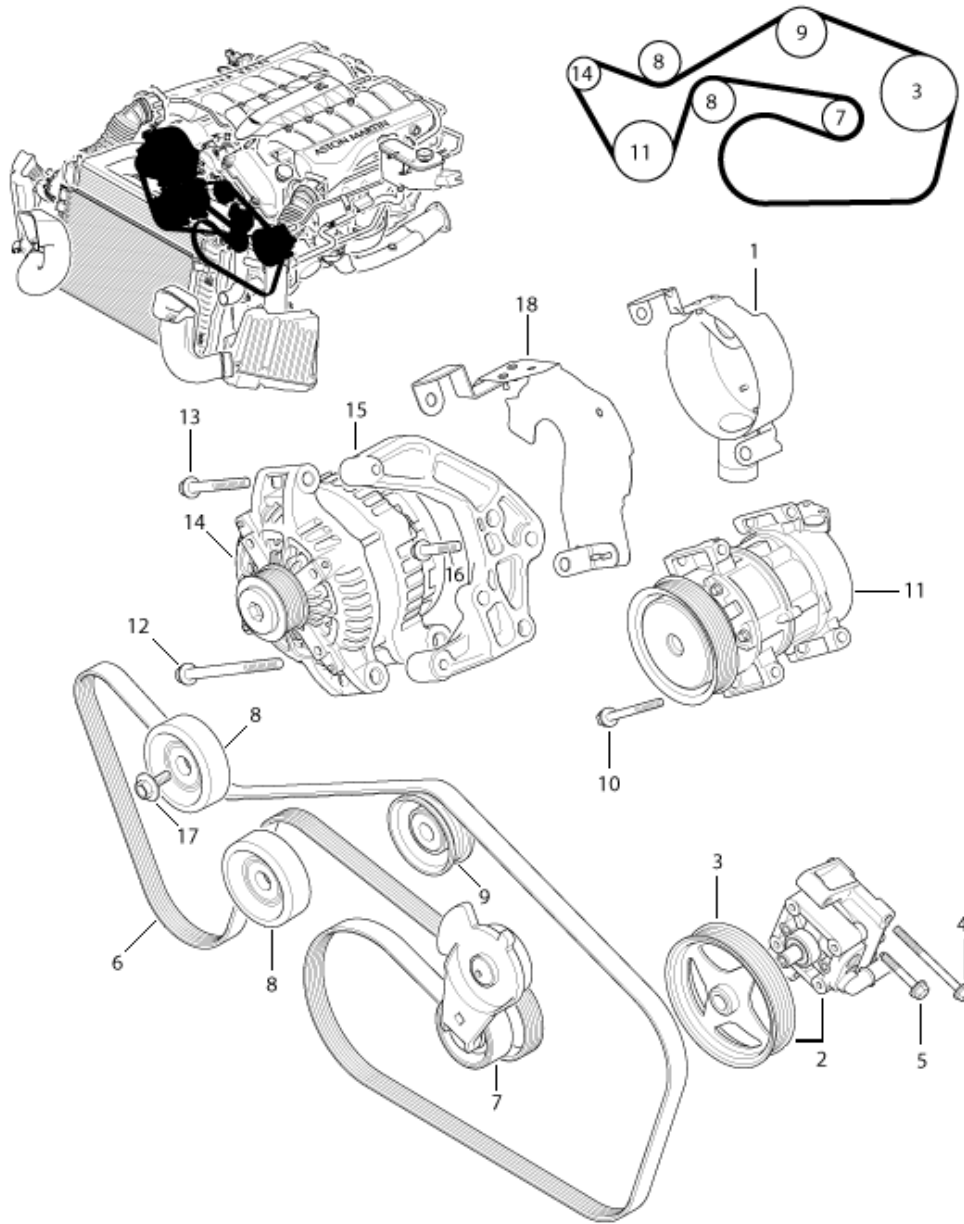
Item	Part Number	Description	Qty	Remarks
1	4G4E-9F593-A6A	Injector, fuel	12	07/08MY
-	5R13-9F593-AB	Injector, fuel	12	09MY
-	6R83-9N976-AA	Clip, fuel injector	12	-
2	1R12-08-10541	Sensor, fuel injection pressure	2	Up to 11/05
-	6G43-34-10063	Sensor, fuel temp/pressure	2	From 11/05
3	699110	Screw, PIA fuel rail	4	Up to 11/05
-	W705870-S437	Bolt/washer, M5 x 20	4	From 11/05
4	4G43-08-10011	Sensor, fuel temperature	1	Up to 11/05
5	4G4E-9S441-AB	Fuel rail assy, RH	1	Up to 11/05

-	4G4E-9S441-CA	Fuel rail assy, RH	1	From 11/05
-	4G4E-9S441-BB	Fuel rail assy, LH	1	Up to 11/05
-	4G4E-9S441-DA	Fuel rail assy, LH	1	From 11/05
6	697769	Screw and washer, M6	6	07MY
-	W503274-S437	Screw and washer, M6 x 18	6	08MY
7	1R12-08-10079	Throttle body assy	2	-
-	1R12-08-10317	Gasket/O ring, throttle body	2	-
8	702845	Bolt, flg, M6 x 55	8	-

[Contents](#)

DB9 Engine System

DB9
03 ENGINE SYSTEM



April 2008
030500-E1
Accessory Drive

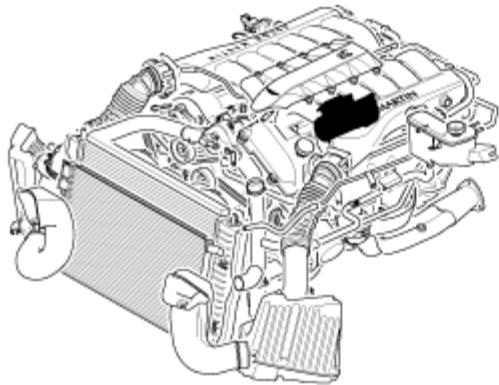
Accessory Drive

Item	Part Number	Description	Qty	Remarks
1	4G43-10A380-AA	Cover assy, alternator	1	07/08MY
2	4G43-3A696-AC	PAS Pump and pulley assy	1	
3	Part of item 2	Pulley, PAS Pump	1	-
4	701146	Bolt, M8 x 103	2	-
5	701147	Bolt and washer, M8 x 55	2	-

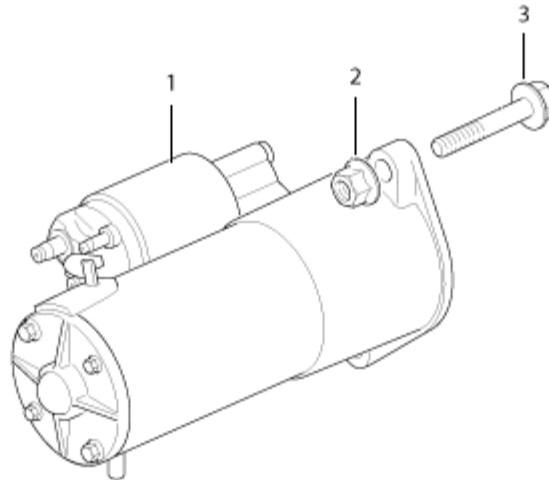
-	702558	Bolt, M8 x 60	2	09MY
6	4G4E-8620-AA	Belt, engine drive	1	-
7	05-85368	Pulley, drive belt tensioner assy	1	-
8	1R12-05-10488	Pulley, engine idler	2	-
9	1R12-05-10530	Idler pulley, grooved	1	-
10	702857	Bolt, M8 x 103	4	-
-	702557	Bolt, M8 x 100	6	09MY
11	6G33-19D629-AA	Compressor, air conditioning	1	-
12	702554	Bolt and washer, M10 x 140	1	-
13	702856	Bolt and washer, M10 x 97.5	2	-
14	4G43-10300-AC	Alternator assy	1	07/08MY
-	8D33-10300-AA	Alternator assy, 200 amp	1	09MY
15	8G43-10239-BB	Bracket assy, alternator mounting	1	-
16	703692	Bolt, flg, M10 x 45, Alternator bracket to cylinder head	3	-
17	703702	Bolt, M8 x 24.5	3	-
18	8G43-10A346-BA	Heatshield alternator	1	09MY

[Contents](#)

DB9 Engine System



DB9
03 ENGINE SYSTEM



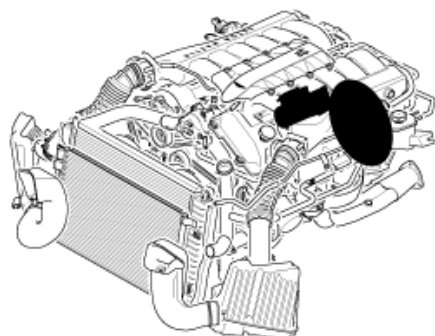
June 2007
030600-E1
Engine Cranking-Manual

Engine Cranking-Manual

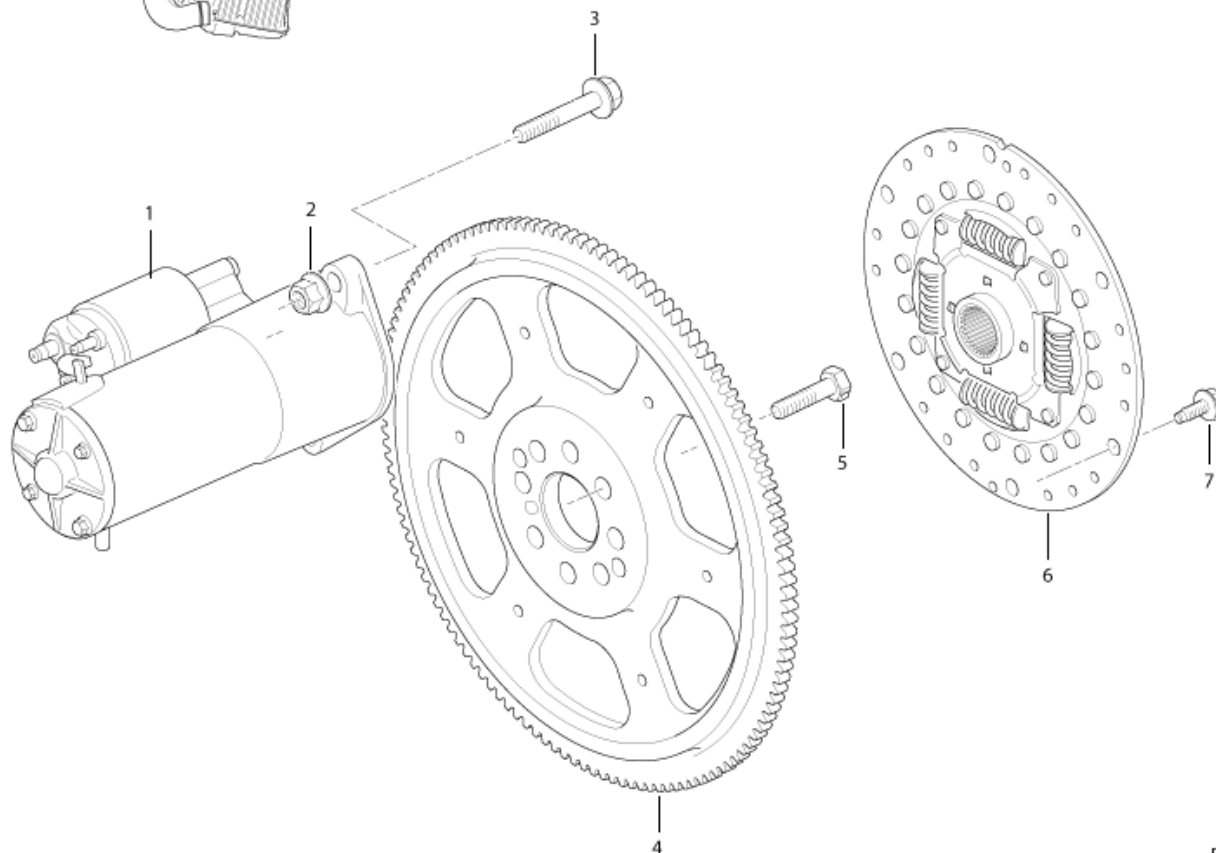
Item	Part Number	Description	Qty	Remarks
1	4G43-09-10760	Starter motor	1	-
2	702555	Nut, M10	2	-
3	703707	Bolt, M10 x 80	2	-
-	704112	Bolt, M10 x 40	2	Le Mans

[Contents](#)

DB9 Engine System



DB9
03 ENGINE SYSTEM



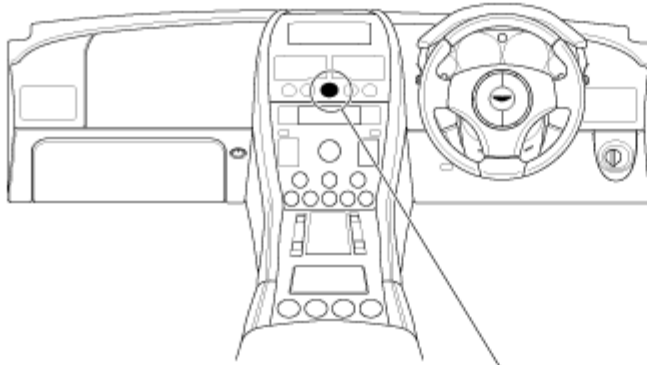
June 2007
030600-E2
Engine Cranking-Auto

Engine Cranking-Auto

Item	Part Number	Description	Qty	Remarks
1	4G43-09-10760	Starter motor	1	-
2	702555	Nut, M10	2	-
3	703707	Bolt, M10 x 80	2	-
-	704122	Bolt, M10 x 40	2	Le Mans
4	4G43-405073-AG	Flywheel assy, auto	1	-
5	697786-PK	Bolt, M10 x 30 Flywheel to Crank	8	-
6	4G43-6W366-AD	Drive Damper Assy	1	-
7	700036-S447	Screw, M8, drive damper to Flywheel	6	-

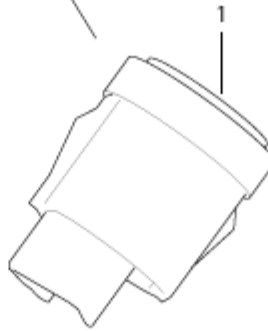
[Contents](#)

DB9 Engine System



DB9

03 ENGINE SYSTEM



June 2004
030604-D1
Starter Button

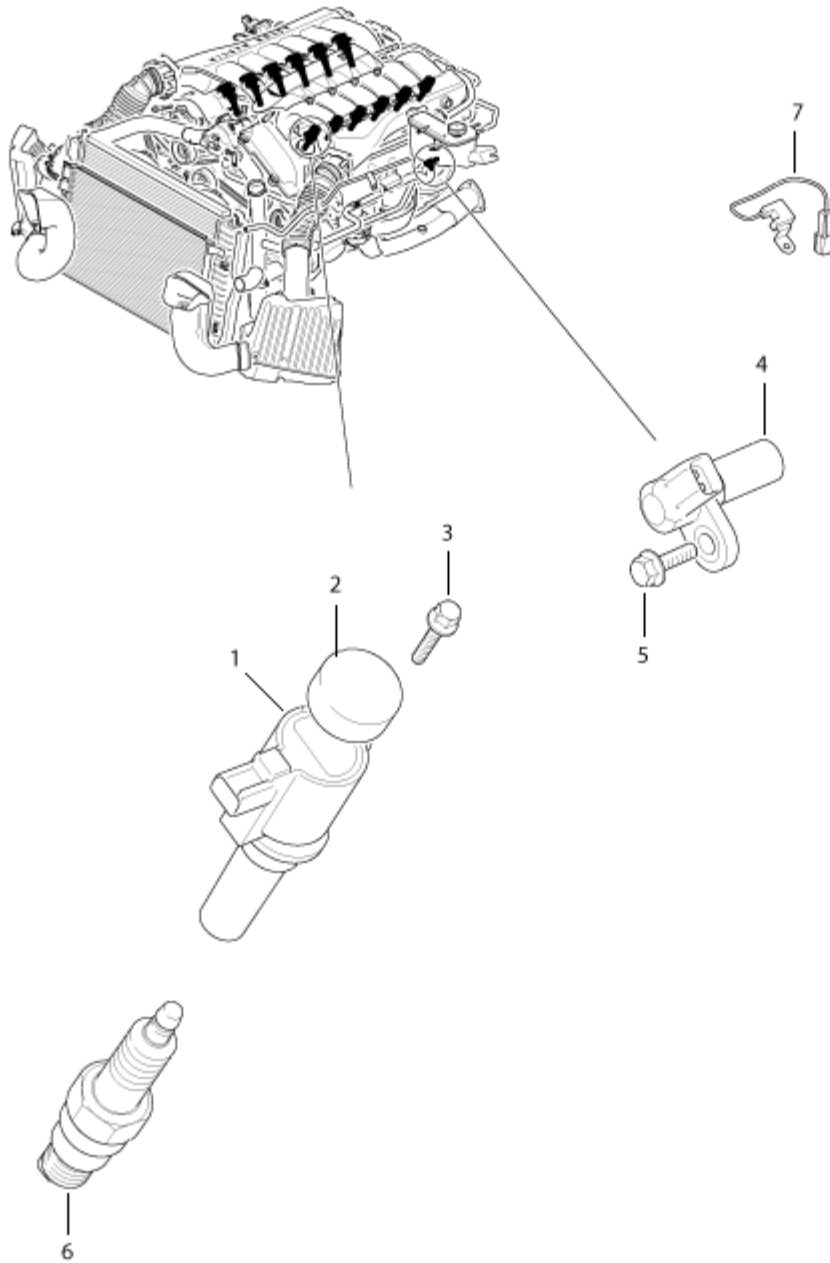
Starter Button

Item	Part Number	Description	Qty	Remarks
1	4G43-11501-AB	Button, starter	1	-

DB9 Engine System

DB9

03 ENGINE SYSTEM



June 2007
030700-E1
Engine Ignition

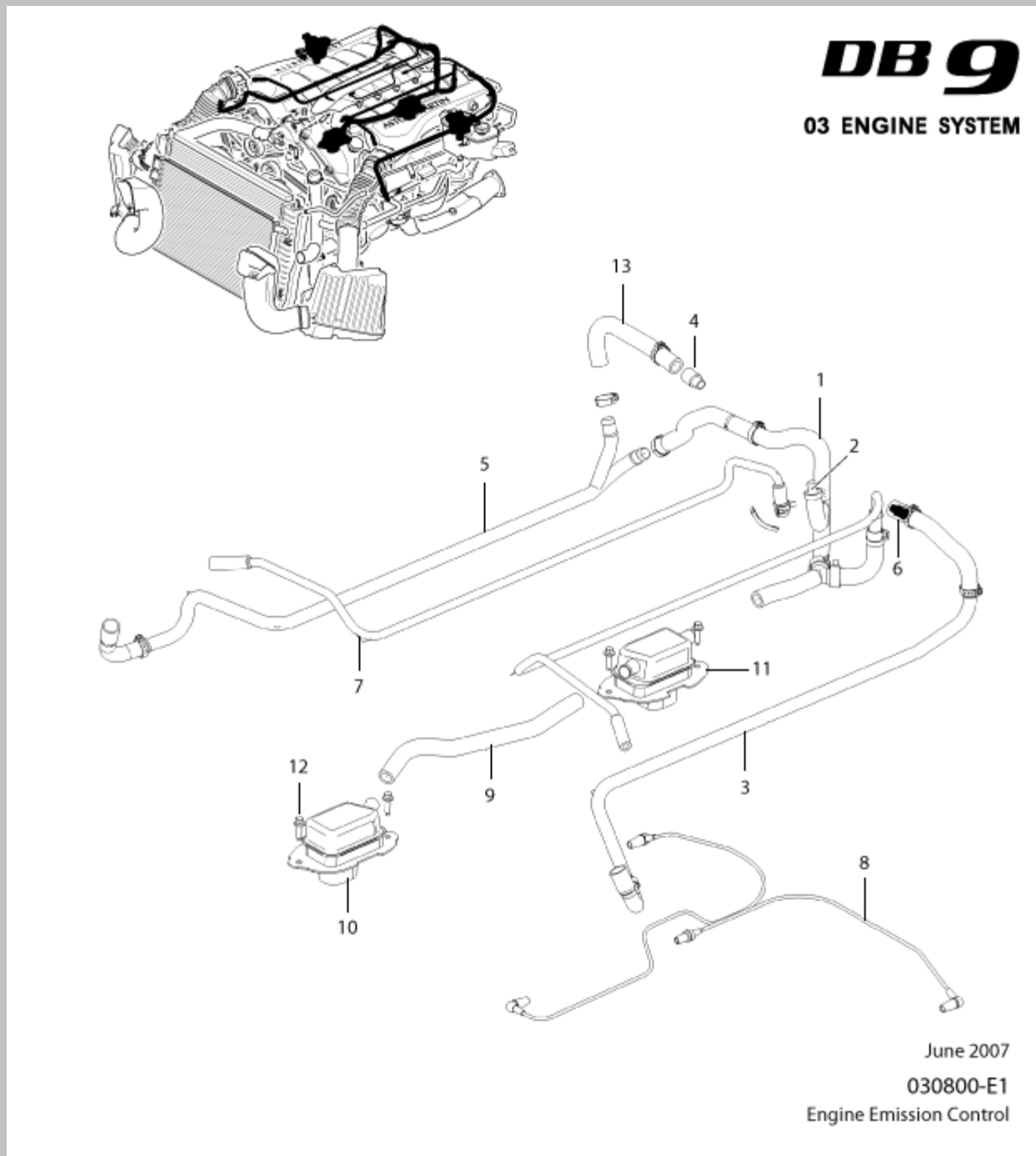
Engine Ignition

Item	Part Number	Description	Qty	Remarks
1	4G4E-12A366-AA	Coil assy, ignition-2 pin	12	-
-	4G43-12A366-AA	Coil assy, ignition-3 pin	12	-

2		Bumper, ignition coil/boot	12	NSS
3	701149	Bolt, M5 x 26	12	-
4	07-85754	Sensor, rear crank	1	-
5	702542	Bolt, M6 x 20	1	-
6	07-85126	Spark plug	12	-
-	5R13-12405-BA-PK	Spark plug, pack of 4	3	From (V) A10678
7	07-85128	Capacitor, radio suppression	2	-

[Contents](#)

DB9 - ENGINE SYSTEM

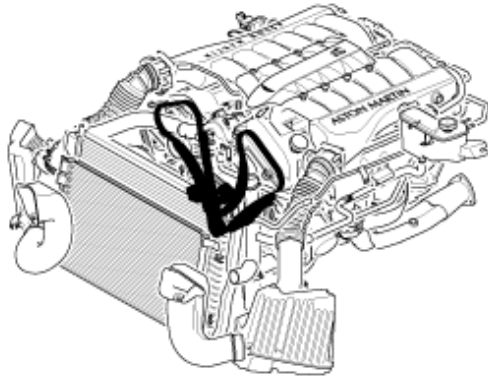


Engine Emission Control

Item	Part Number	Description	Qty	Remarks
1	4G43-37-10288	Connector assy, engine vacuum system	1	-
2	34-85327	Valve assy, crankcase vent	2	-
3	4G43-37-10289	Connector assy, LH, engine vacuum system	1	-

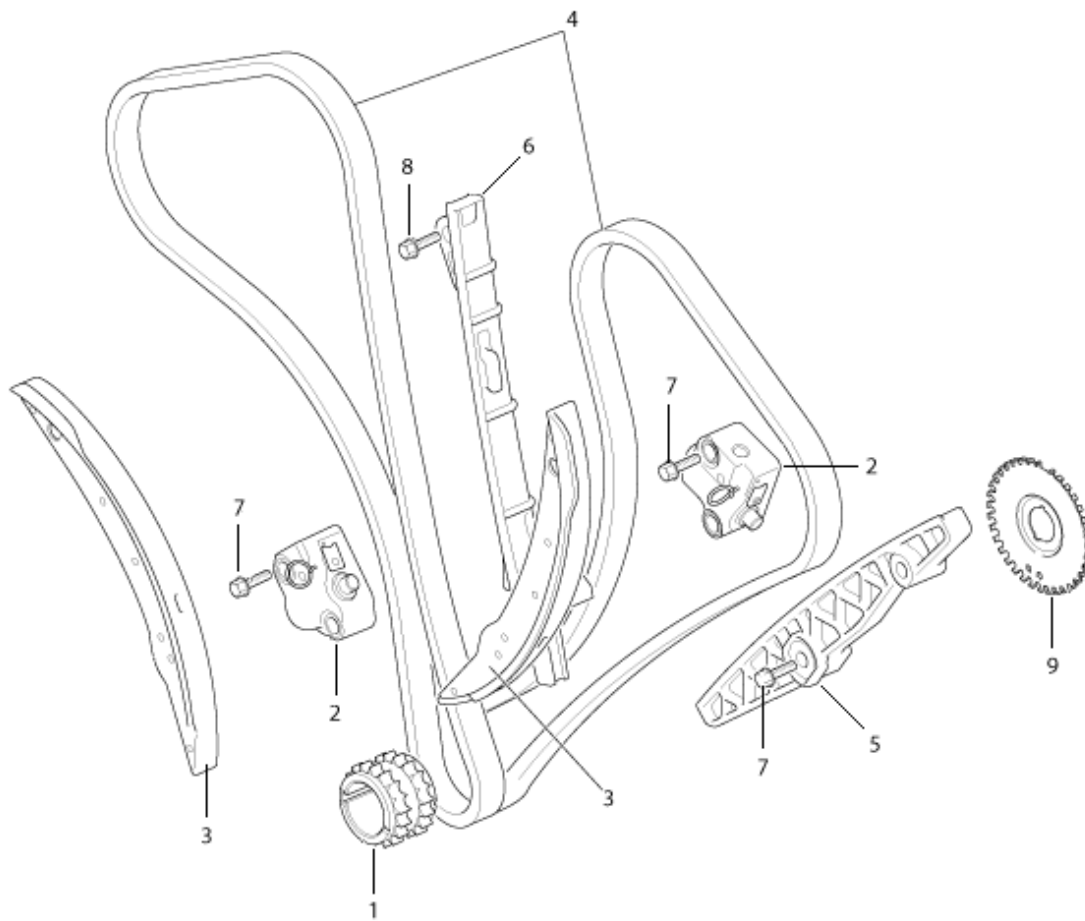
4	NSS	Valve assy	1	-
5	4G43-37-10290	Connector assy, RH, engine vacuum system	1	-
6	NSS	Valve assy	1	-
7	4G43-37-10291	Connector assy, EMS, engine vacuum system	1	-
8	4G43-37-10133	Connector assy, EMS, engine vacuum system	1	-
9	4G43-37-10135	Connector, EMS Vac, engine vacuum system	1	-
10	XW4E-6B673-BB	Separator assy, oil	1	-
11	4G43-01-10197	Separator assy, oil	1	-
-	1R12-01-10487	Gasket, oil separator to block	2	-
12	702542	Bolt, M6 x 20	4	-
13	4G43-37-10293	Vacuum harness, engine	1	-

DB9 Engine System



DB9

03 ENGINE SYSTEM



July 2007
030900-E1
Valve Train

Valve Train

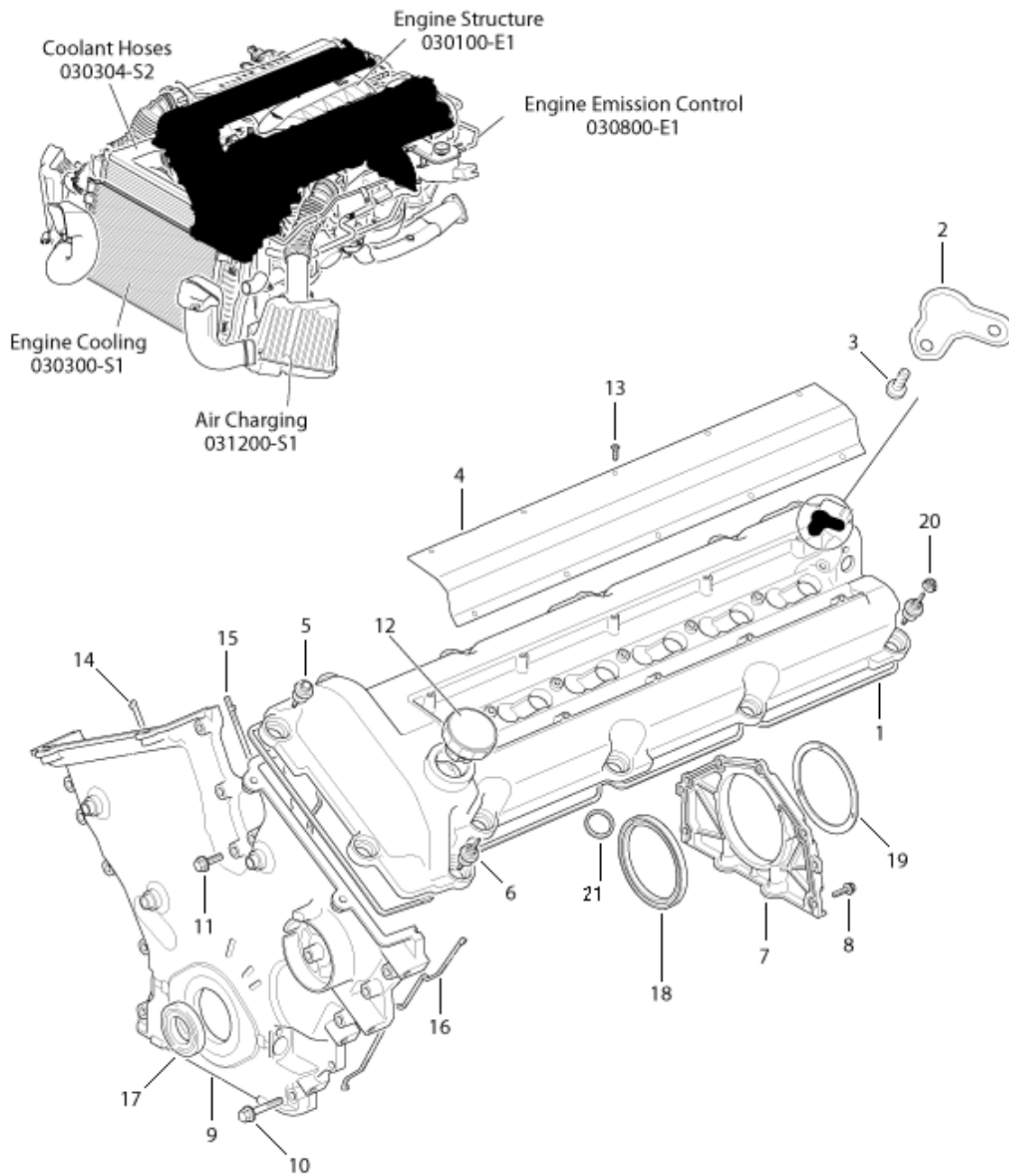
Item	Part Number	Description	Qty	Remarks
1	4G43-02-10012	Sprocket, crankshaft, 21T	1	-
2	1R12-03-10071	Tensioner assy, timing chain	2	-

3	4G43-03-10013	Arm assy, timing chain	2	-
4	1R12-03-10483	Chain, timing	2	-
5	1R12-03-10070	Guide assy, timing chain, LH	1	-
6	1R12-03-10069	Guide assy, timing chain, RH	1	-
7	697741	Bolt, M8 x 45	6	07MY
-	W701524-S437	Bolt, M8 x 45	6	08MY
8	702851	Bolt and washer, M8 x 32	2	-
9	1R12-07-10230	Sensor ring, ignition pulse	1	-

DB9 Engine System

DB9

03 ENGINE SYSTEM



April 2008
031000-E1
Engine Sealing

Engine Sealing

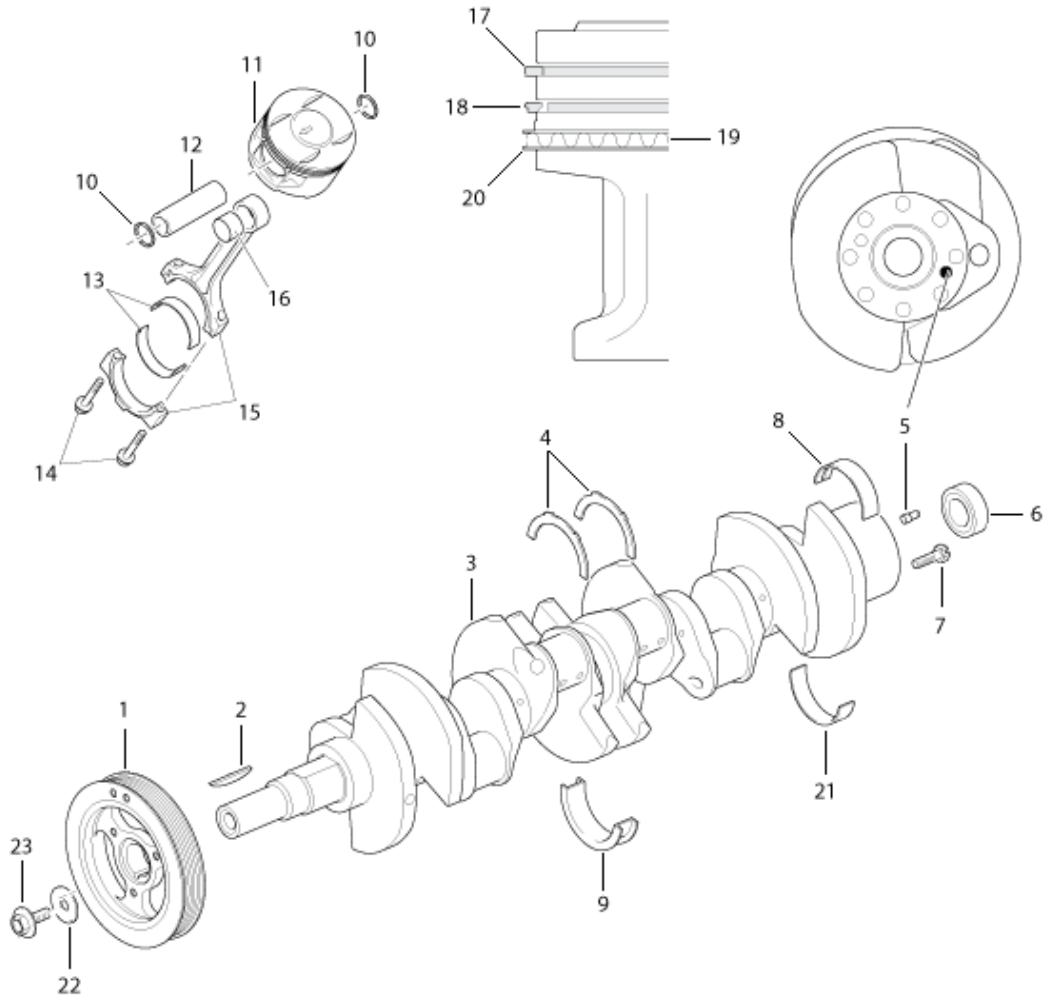
Item	Part Number	Description	Qty	Remarks
-	4G4E-6A505-AC	Valve cover assy, LH	1	-
-	8G4E-6A505-AA	Valve cover assy, LH	1	09MY

-	4G4E-6582-AC	Valve cover assy, RH	1	-
-	8G4E-6582-AA	Valve cover assy, RH	1	09MY
1	07-85057	Gasket, valve cover, LH	1	-
-	07-85056	Gasket, valve cover, RH	1	-
2	07-85055	Baffle	2	-
3	699098	Screw, M4 x 10.29 pan head	4	-
4	07-85062	Coil cover	2	-
5	4G43-07-10763	Bolt and grommet assy	27	07MY
-	07-85058	Bolt and grommet assy	27	08MY
6	4G43-07-10788	Stud and grommet assy	6	07MY
-	07-85059	Stud and grommet assy	6	08MY
7	01-85003	Retainer, crankshaft oil seal	1	-
8	702603	Screw, M6 x 22	6	-
9	4G4E-6D080-AD	Cover, engine timing	1	-
-	4G4E-6D080-AE	Cover, engine timing	1	09MY
10	702853	Bolt and washer, M8 x 47.5	14	-
11	702851	Screw and washer, M8 x 32	1	-
12	4G43-07-10625	Cap, oil filler	1	-
13	699092	Bolt, M4 torx, coil cover	20	-
14	03-85064	Gasket, timing cover, RH	1	-
15	03-85065	Gasket, timing cover, centre	1	-
16	03-85066	Gasket, timing cover, LH	1	-
17	03-85067	Seal, oil, crankshaft, front	1	-
-		Seal, oil, crankshaft, front	1	09MY
18	1R12-01-10434	Seal, oil, crankshaft, rear	1	-
19	4G43-01-10194	Slinger, rear seal	1	-
20	700231	Nut, flg, M5	1	-
21	07-85366	Gasket, sparking plug hole	12	-

[Contents](#)

DB9 - ENGINE SYSTEM

DB9
03 ENGINE SYSTEM



July 2007
031100-E1
Engine Power Conversion

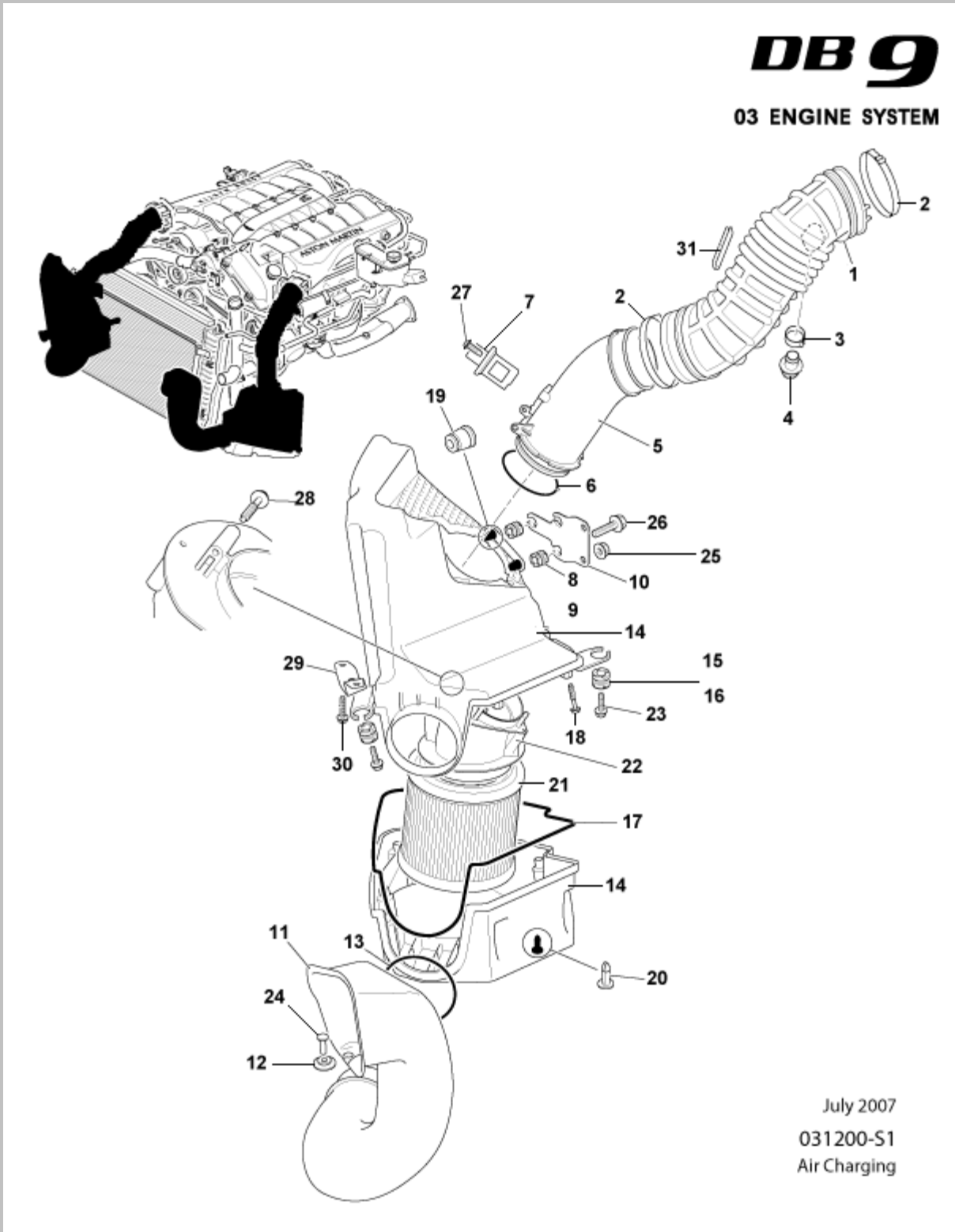
Engine Power Conversion

Item	Part Number	Description	Qty	Remarks
1	4G43-02-10939	Pulley assy, crankshaft damper	1	-
2	02-85008	Key, crankshaft, 4.76 X 53.5	1	-
-	4G4E-6100-BB	Piston and connecting rod assy	12	-
3	4G43-02-10229	Crankshaft assy	1	-
4	4W7E-6A341-AB	Washer, thrust, crankshaft, upper	2	07MY

-	4W7E-6A341-AA	Washer, thrust, crankshaft, upper	2	08MY
5	1R12-41-10177	Dowel pin	1	-
6	1R12-02-10061	Bearing, pilot, manual	1	-
7	697786	Bolt, M10 x 30	8	-
8	02-85019	Bearing, crankshaft, main, upper	7	-
9	02-85022	Washer, thrust, crankshaft, lower	1	-
10	02-85136	Retainer, piston pin	24	-
11	4G4E-6110-AA	Piston, grade 1	12	-
-	4G4E-6110-BA	Piston, grade 2	12	-
-	4G4E-6110-CA	Piston, grade 3	12	-
12	02-85010	Pin, piston	12	-
13	02-85781	Bearing, connecting rod	24	-
14	02-85018	Bolt, connecting rod	24	-
15	1R12-02-10162	Connecting rod assembly	12	07MY
-	XS2E-6200-CA	Connecting rod assembly	12	08MY
16	4G43-02-10473	Bushing, connecting rod	12	07MY
-	4G43-02-10968	Bushing, connecting rod	12	08MY
17	1R12-02-10060	Piston ring, compression, upper	12	-
18	02-85013	Piston ring, compression, lower	12	-
19	02-85015	Spacer, piston ring, oil control	12	-
20	02-85014	Segment, piston ring, oil control	24	-
21	4R3E-6A338-BA	Bearing, crankshaft, main, lower	6	-
22	W701511-S437	Washer, crankshaft damper	1	07MY
-	02-85086	Washer, crankshaft damper	1	08MY
23	4G43-02-10822	Bolt, M12 x 52.5	1	-

[Contents](#)

DB9 Engine System



July 2007
031200-S1
Air Charging

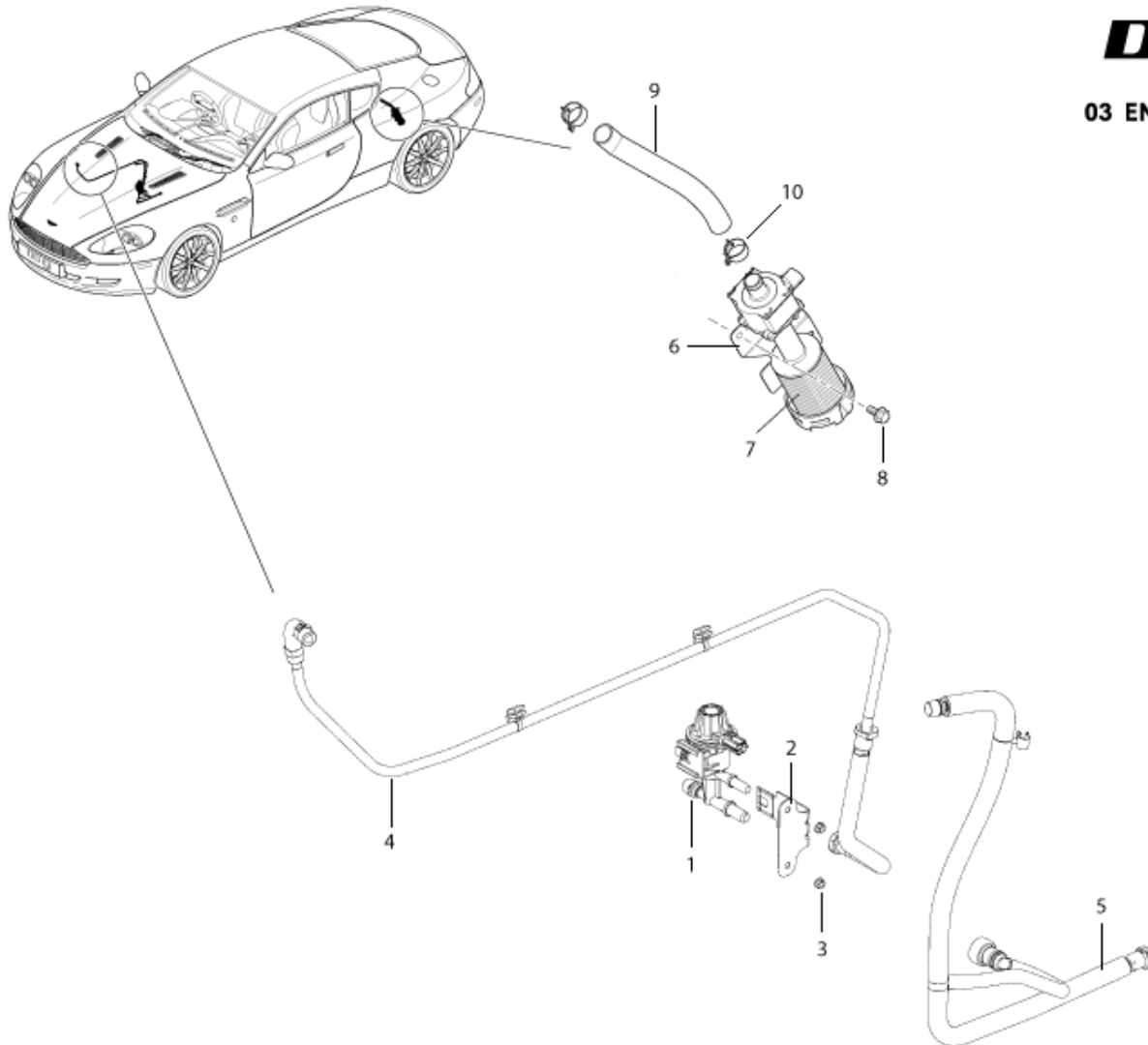
Air Charging

Item	Part Number	Description	Qty	Remarks
1	4G43-9C623-CD	Duct MS airflow body to throttle body, RH	1	-
-	4G43-9C623-DD	Duct MS airflow body to throttle body, LH	1	-
2	4G43-9N832-AA	Clamp, duct to induct man	2	-
-	4G43-9N832-BB	Clamp, duct to air box	2	-
3	NSS	Clamp	1	-
4	NSS	Adaptor	2	-
5	4G43-12B612-AB	Body MS airflow assembly	2	-
6	4G43-6C704-BA	O'Ring	2	-
7	4G43-03-10301	Sensor MS airflow	2	07MY
-	4G43-08-10933	Sensor MS airflow	2	08MY
8	4G43-9697-CA	Grommet assembly	4	-
9	4G43-5144-AA	Spacer	4	-
10	4G43-9B609-AC	Bracket air cleaner, outer	2	-
11	4G43-9A675-BC	Duct air intake, RH	1	-
-	4G43-9A675-CC	Duct air intake, LH	1	-
12	4G43-9N967-AA	Grommet	2	-
13	4G43-6C704-AA	O-ring	2	-
14	4G43-9600-BD	Airbox assy, RH	1	-
-	4G43-9600-CD	Airbox assy, LH	1	-
15	4G43-9697-CA	Grommet assy	2	-
16	4G43-5144-AA	Spacer	2	-
17	4G43-9C664-AB	Gasket air cleaner	2	-
18	4G43-0410-AA	Screw, RH, Self Tap	18	-
19	NSS	Insert	2	-
20	NSS	Plug, water drain	2	-
21	4G43-9601-AB	Filter, air cleaner	2	-
22	NSS	Adaptor, filter	2	-
23	700099	Screw, M6 x 20	4	07MY
-	703203	Screw, M6 x 25	4	08MY
24	4G43-2705-AA	Rivet	2	-
25	700230	Nut, flg, M8	4	07MY
-	703161	Nut, flg, M8	4	08MY
26	700135	Screw, flg, M6 x 25	4	07MY
-	703025	Screw, flg, M6 x 25	4	08MY
27	4G43-0410-BB	Screw, self tap	4	-
28	4G43-0410-AA	Screw, self Tap	2	-
29	4G43-9B609-FB	Bracket	2	-
30	701150	Bolt, flg M6 x 30	4	07MY

-	703199	Bolt, flg M6 x 30	4	08MY
31	4G43-18K261-AA	Protection strip, duct	2	-
-	77-84981	Foam strip, anti rattle	1	-

[Contents](#)

DB9 Engine System



DB9
03 ENGINE SYSTEM

July 2007
031300-S1
Evaporative Emissions

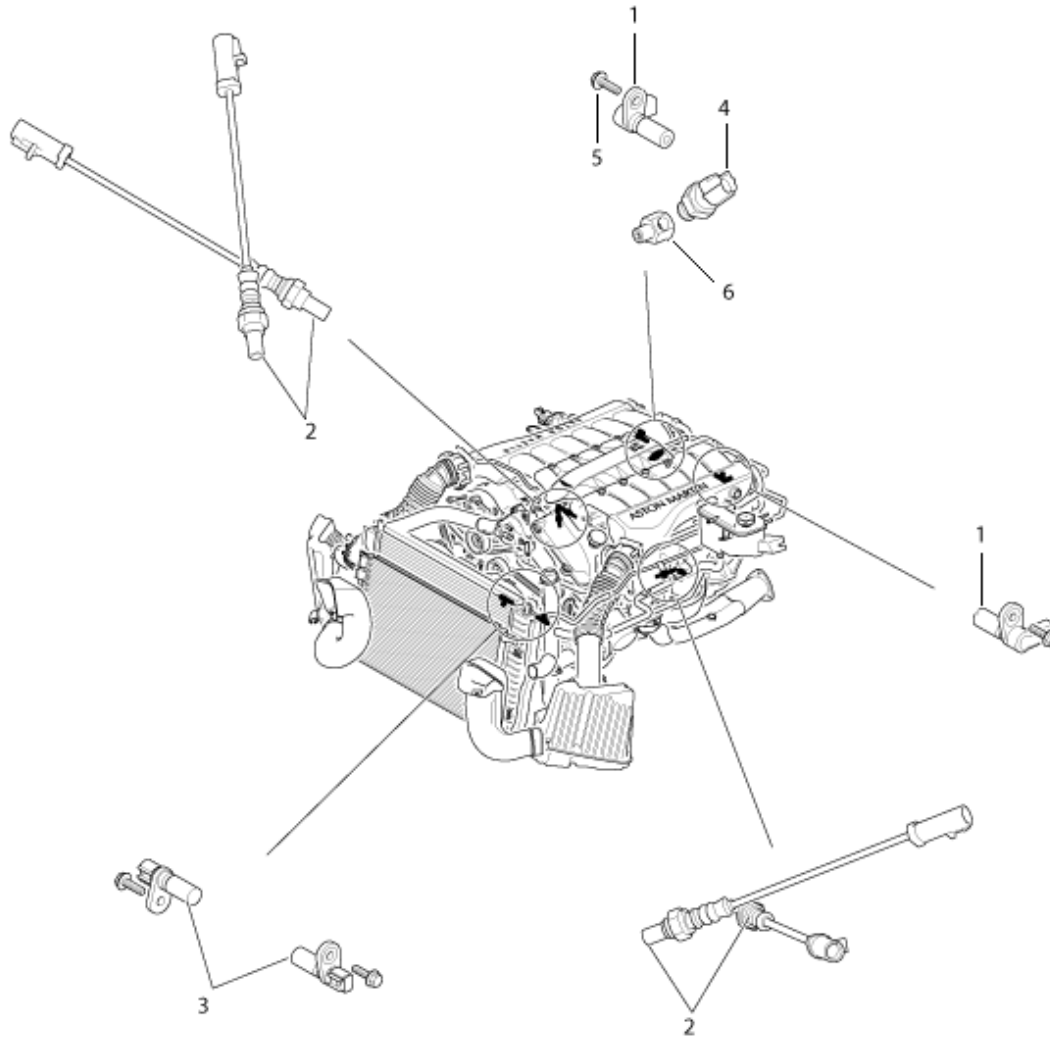
Evaporative Emissions

Item	Part Number	Description	Qty	Remarks
1	4L24-9G641-BB	Valve assy, FU/ VPR	1	-
2	4G43-9G743-AA	Bracket, elect fuel vapour mgt	1	-
3	700114	Nut, flg, M5	2	-
4	4G43-9D289-BD	EVMV to VAC harness	1	-
5	4G43-9B051-AD	Tube, vapour valve inlet	1	-

6	4G43-9D665-AD	Bracket assy, DMTL & filter	1	2 pin
-	7G43-9D665-AA	Bracket assy, DMTL & filter	1	4 pin
-	8D33-9D665-BA	Bracket assy, DMTL & filter	1	Non federal
-	8D33-9D665-AB	Bracket assy, DMTL & filter	1	Federal
7	4G43-9B995-AA	Filter, fuel/vapour storage can	1	-
8	700211	Screw M6	3	-
9	4G43-9F984-AC	Hose assy	1	6.5MY
-	8G43-9F984-BA	Hose assy, non Federal	1	-
-	8D33-9F984-AA	Hose assy, Federal	1	-
10	6G43-03-10043	Clip	2	-
-	4G43-9D653-AA	Canister assy, charcoal	1	-
-	6H52-9C111-BA	Pump, on board diag leak check	1	-

DB 9

03 ENGINE SYSTEM



July 2007

031400-E1

Electronic Engine Control

Electronic Engine Control

Item	Part Number	Description	Qty	Remarks
1	07-85755	Sensor, LH	1	-
-	4G43-39-10014	Sensor, RH	2	-
2	1R12-39-10174	Sensor, exhaust man, pre cat	4	-
-	1R12-39-10175	Sensor, exhaust man, post cat	4	-

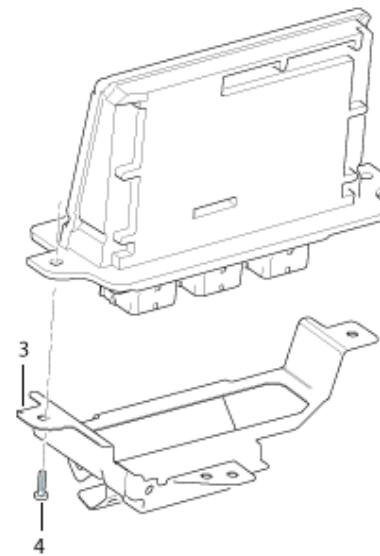
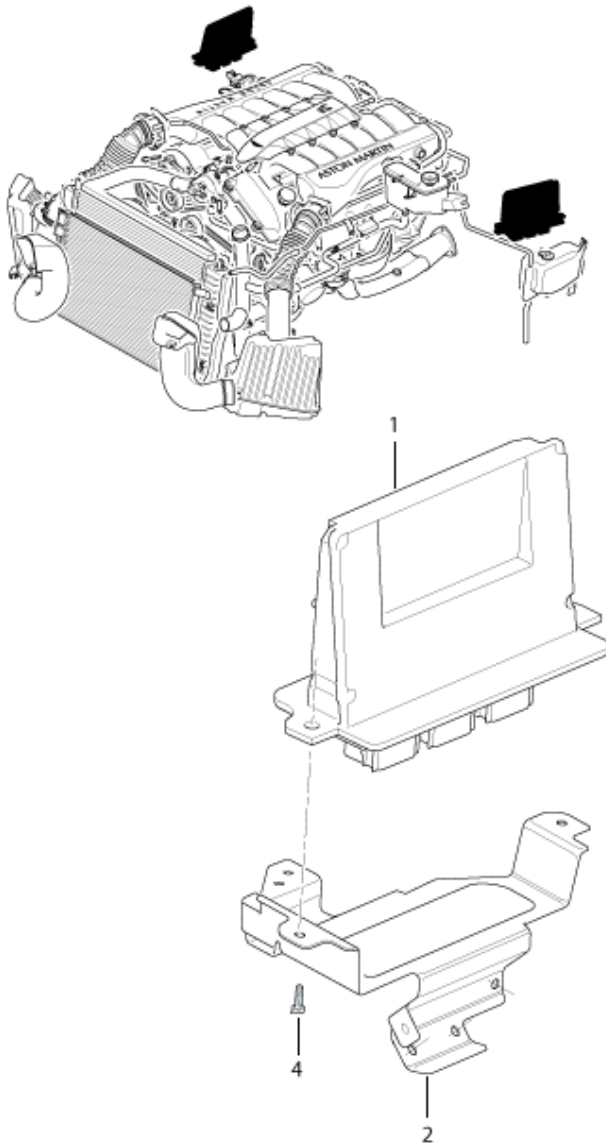
3	1R12-39-10475	Sensor, crank	2	-
4	1R12-39-10532	Switch, oil pressure	1	-
5	697736	Bolt, M6 x 20	4	-
6	1R1E-9B339-AB	Adaptor, oil pressure sender	1	-

[Contents](#)

DB9 Engine System

DB9

03 ENGINE SYSTEM



June 2007

031401-D1

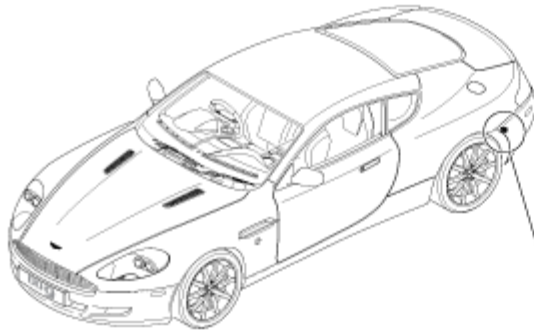
Electronic Engine Control

Electronic Engine Control

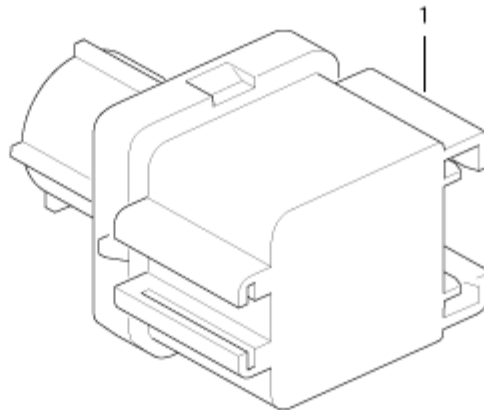
Item	Part Number	Description	Qty	Remarks
1	4G43-12A650-DD	Module, powertrain control	2	-
2	4G43-12B695-AF	Shield, PCM, RH	1	-
3	4G43-12B696-AF	Shield, PCM, LH	1	-
4	702637	Bolt, M6 x 20, socket btn head	6	-

[Contents](#)

DB9 Engine System



DB9
03 ENGINE SYSTEM



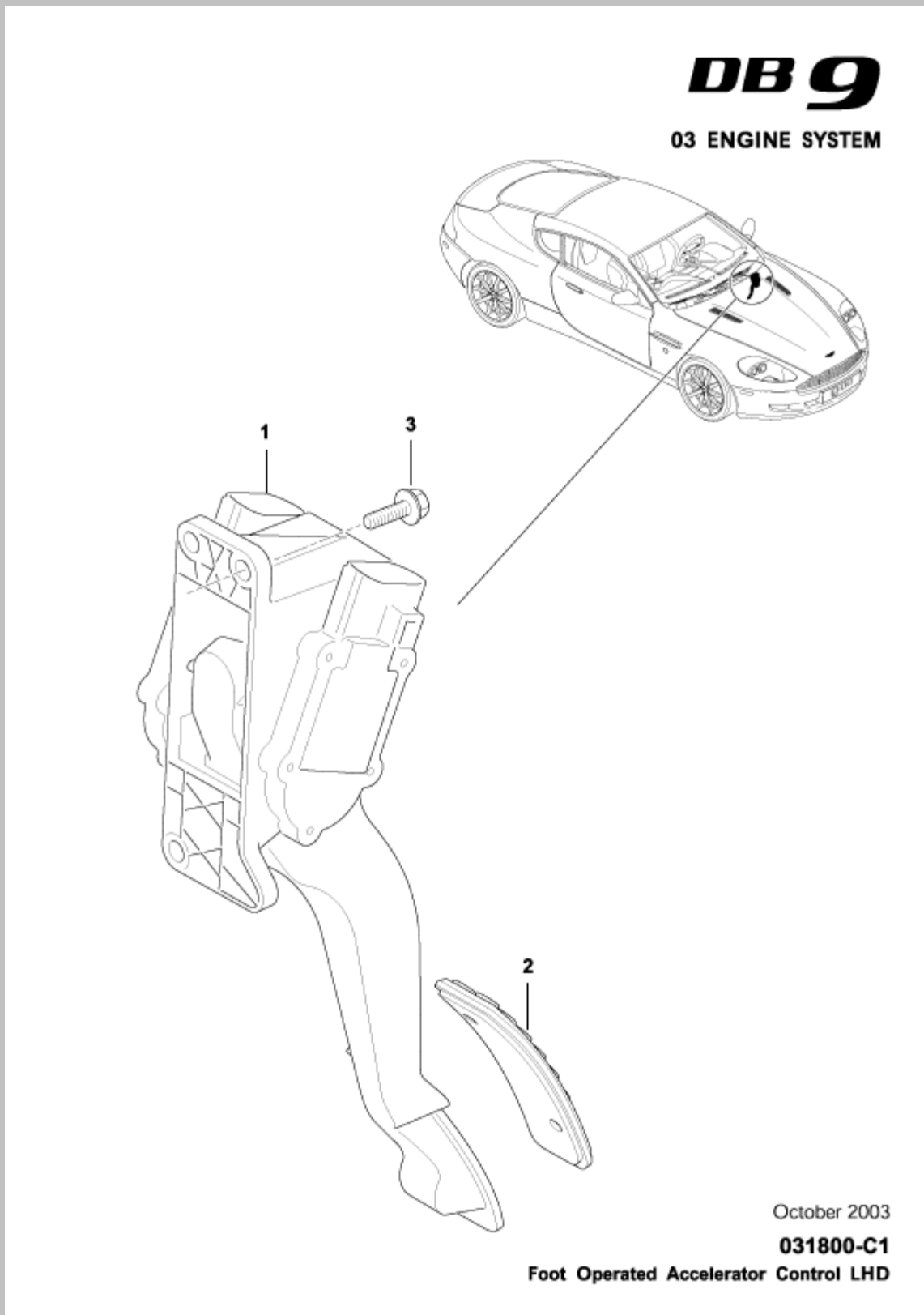
June 2004
031403-D1
Barometric Sensor

Barometric Sensor

Item	Part Number	Description	Qty	Remarks
1	1R12-39-10135	Sensor, barometric pressure	1	-

[Contents](#)

DB9 Engine System

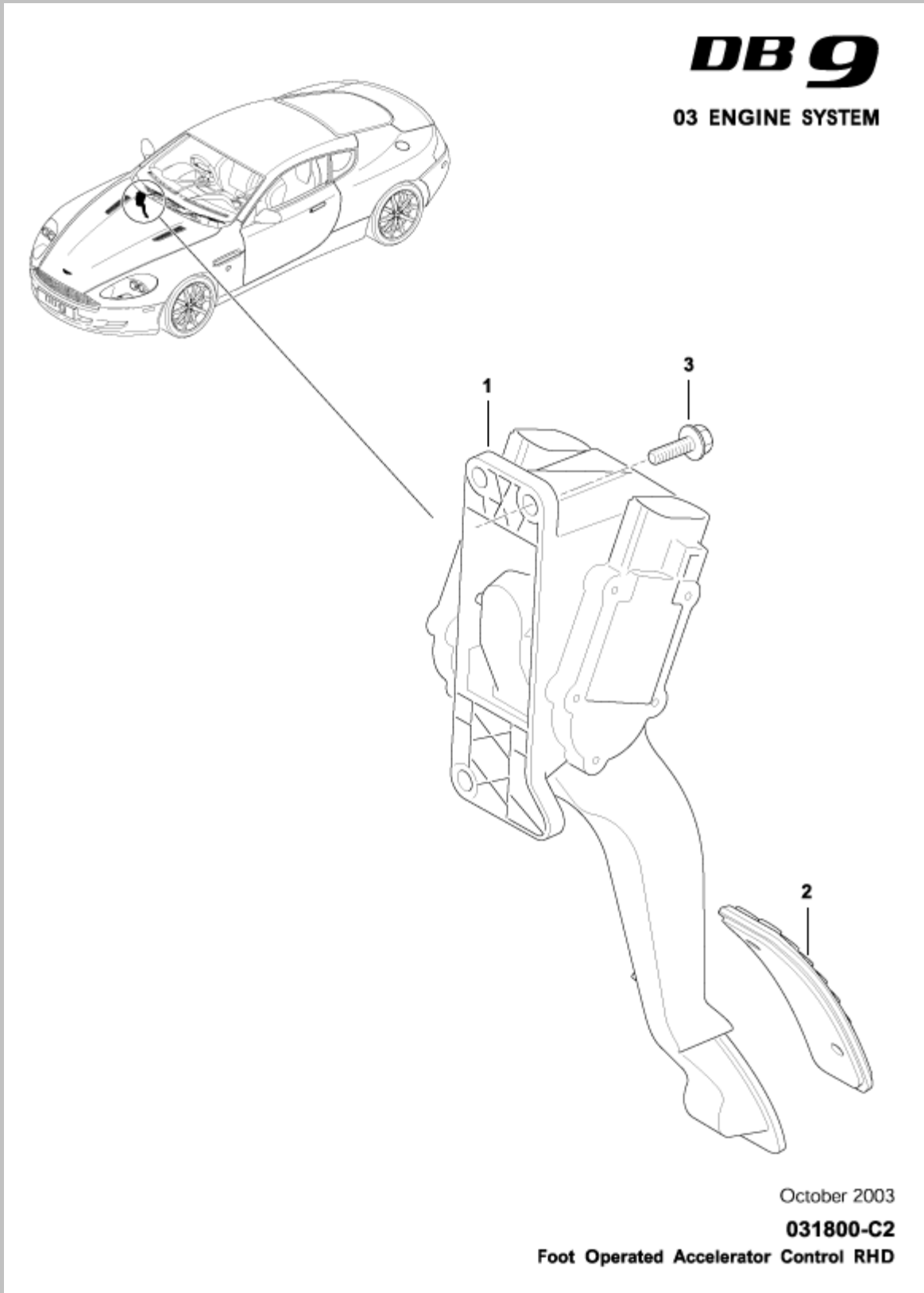


Foot Operated Accelerator Control LHD

Item	Part Number	Description	Qty	Remarks
1	6G33-9F836-AC	Pedal assy, throttle	1	07/08MY
-	8D33-9F836-AB	Pedal assy, throttle	1	09MY
2	4G43-F4022-AA	Pad, accelerator pedal	1	-
3	700607	Screw, M6 x 20	3	-

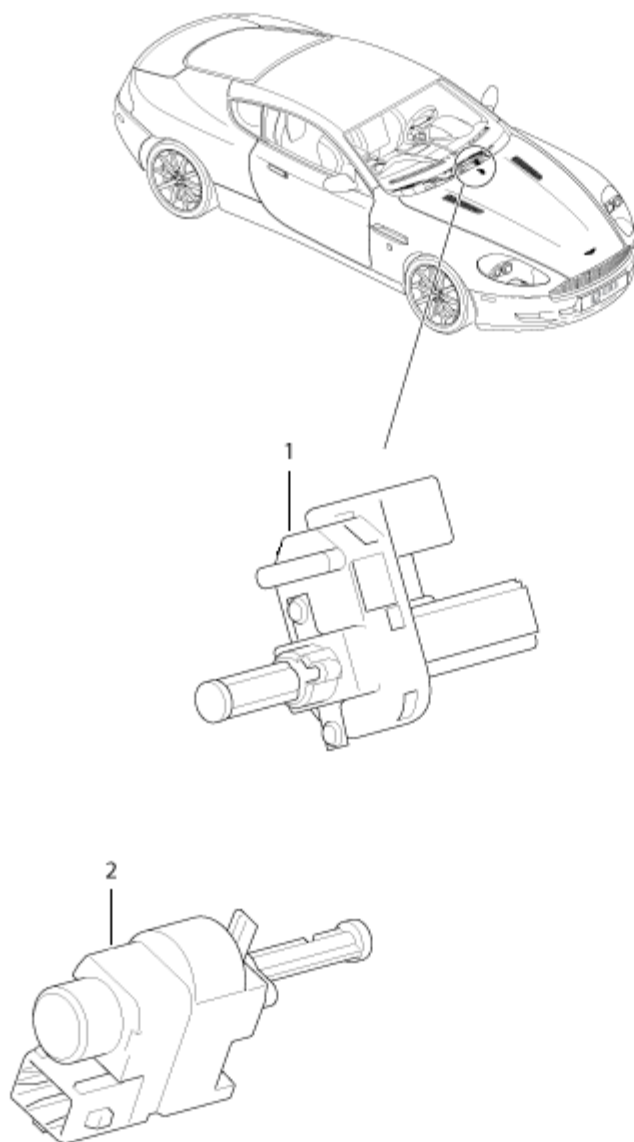
[Contents](#)

DB9 Engine System



Foot Operated Accelerator Control RHD

Item	Part Number	Description	Qty	Remarks
1	6G33-9F836-AC	Pedal assy, throttle	1	07/08MY
-	8D33-9F836-AB	Pedal assy, throttle	1	09MY
2	4G43-F4022-AA	Pad, accelerator pedal	1	-
3	700607	Screw, M6 x 20	3	-

[Contents](#)**DB9 Engine System****DB9****03 ENGINE SYSTEM**

June 2004

031904-D1

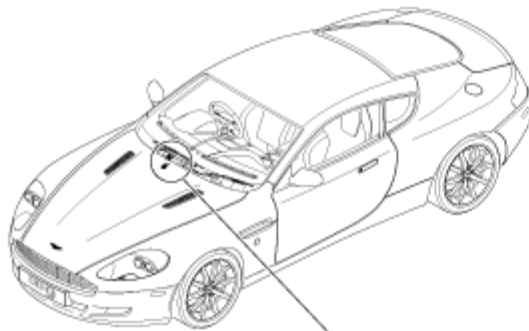
Switch Clutch Pedal LHD

Switch Clutch Pedal LHD

Item	Part Number	Description	Qty	Remarks
1	4G43-37-10016	Switch assy, cruise deactivate	1	-
2	4G43-37-10017	Switch assy, clutch, start inhibit	1	-

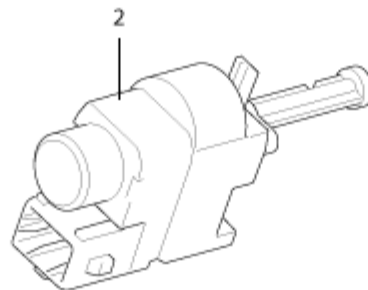
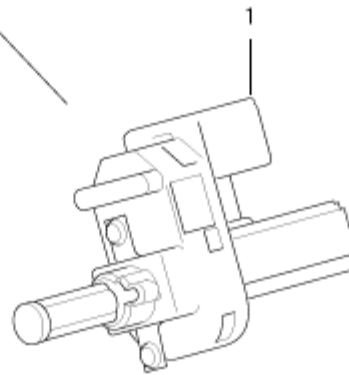
[Contents](#)

DB9 Engine System



DB9

03 ENGINE SYSTEM



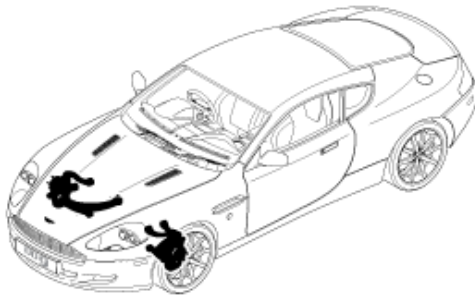
June 2004
031904-D2
Switch Clutch Pedal RHD

Switch Clutch Pedal RHD

Item	Part Number	Description	Qty	Remarks
1	4G43-37-10016	Switch assy, cruise deactivate	1	-
2	4G43-37-10017	Switch assy, clutch, start inhibit	1	-

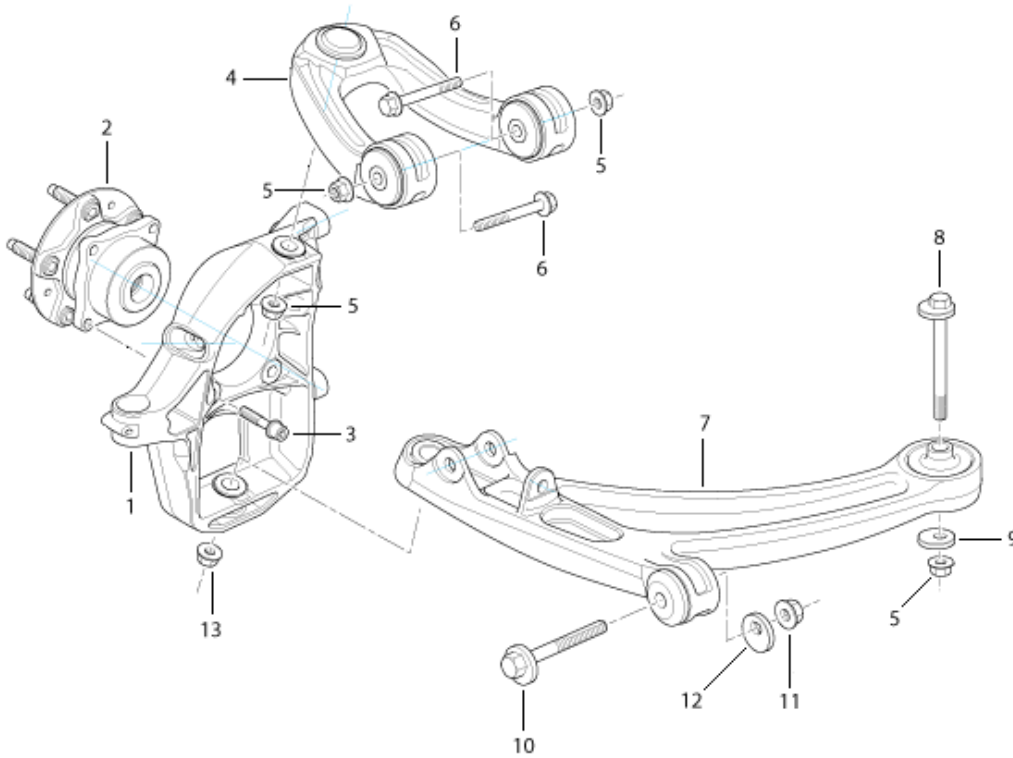
[Contents](#)

DB9 Suspension System



DB9

04 SUSPENSION SYSTEM



March 2008

040100-C1

Front Suspension Sub System

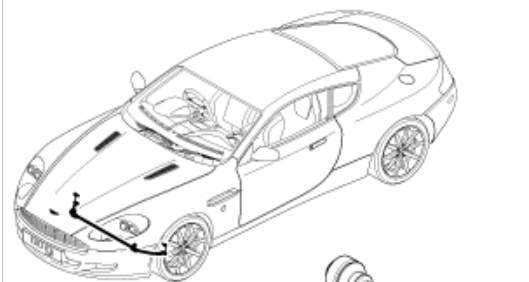
Front Suspension Sub System

Item	Part Number	Description	Qty	Remarks
1	7G43-3K186-AA	Knuckle front, RH	1	-
-	7G43-3K185-AA	Knuckle front, LH	1	-
2	4G43-2B663-AC	Hub and bearing assy	2	-
3	4G43-0783-AA	Bolt, M10 x 55 grd 10.9	8	Bearing to Knuckle
4	4G43-3084-BE	Arm assy, upper, front suspension, RH	1	-

-	6G33-3084-AB	Arm assy, upper, front suspension, RH	1	09MY
-	4G43-3091-BE	Arm assy, upper, front suspension, LH	1	-
-	6G33-3091-AB	Arm assy, upper, front suspension, LH	1	09MY
5	703565	Nut, M12 Hex Flg	8	-
6	703180	Bolt, M12 x 90	4	-
7	4G43-3A052-BE	Arm assy, lower front suspension, RH	1	-
-	8D33-3A052-AC	Arm assy, lower front suspension, RH	1	09MY
-	4G43-3A053-BF	Arm assy, lower front suspension, LH	1	-
-	8D33-3A053-AC	Arm assy, lower front suspension, LH	1	09MY
8	4G43-3B236-BB	Bolt, M12, eccentric	2	-
9	4G43-3B237-BB	Washer, M12, eccentric	2	-
10	4G43-3B236-CB	Bolt, cam, M14	2	-
11	701337	Nut M14, Hex Flg	2	-
12	1R12-232726-AB	Washer, cam	2	07MY
-	4G43-3B237-CA	Washer, cam	2	08MY From (V) A09110
13	701578	Nut and washer, M12	2	07MY
-	702997	Nut and washer, M12	2	08MY From (V) A09110

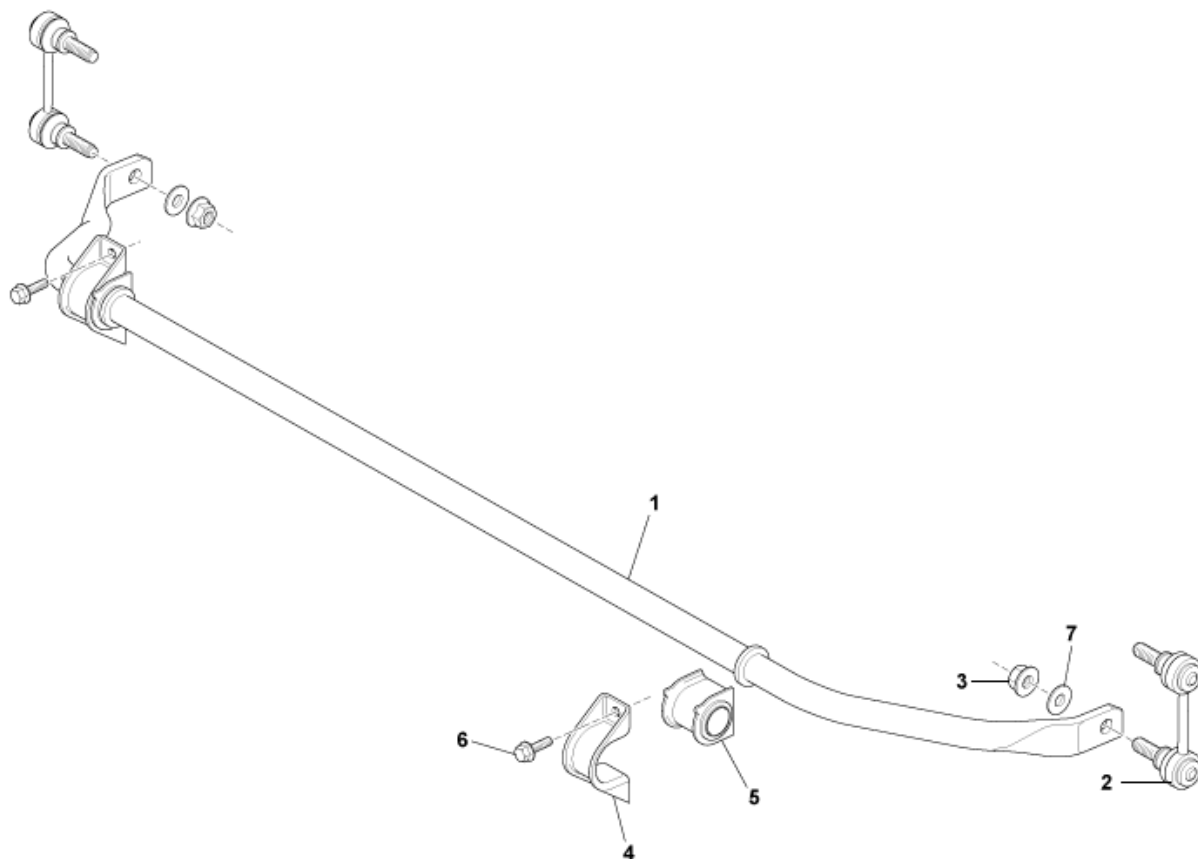
[Contents](#)

DB9 Suspension System



DB9

04 SUSPENSION SYSTEM



December 2004

040105-C1

Front Stabilizer Bar Assy- Coupe

Front Stabilizer Bar Assy - Coupe

Item	Part Number	Description	Qty	Remarks
1	4G43-5494-AB	Anti roll bar, front	1	-
-	6G33-5494-AB	Anti roll bar, front	1	Sports pack 07MY
2	4G43-5489-AC	Link, anti roll bar, front	2	-
3	702826	Nut & washer, M12	4	-
4	4G43-5487-AC	Strap, anti roll bar bush	2	-
5	4G43-5484-AB	Bush, anti roll bar	2	-
-	6G33-5484-AB	Bush, anti roll bar	2	Sports pack 07MY
6	703563	Screw, flg, M8 x 20	4	-

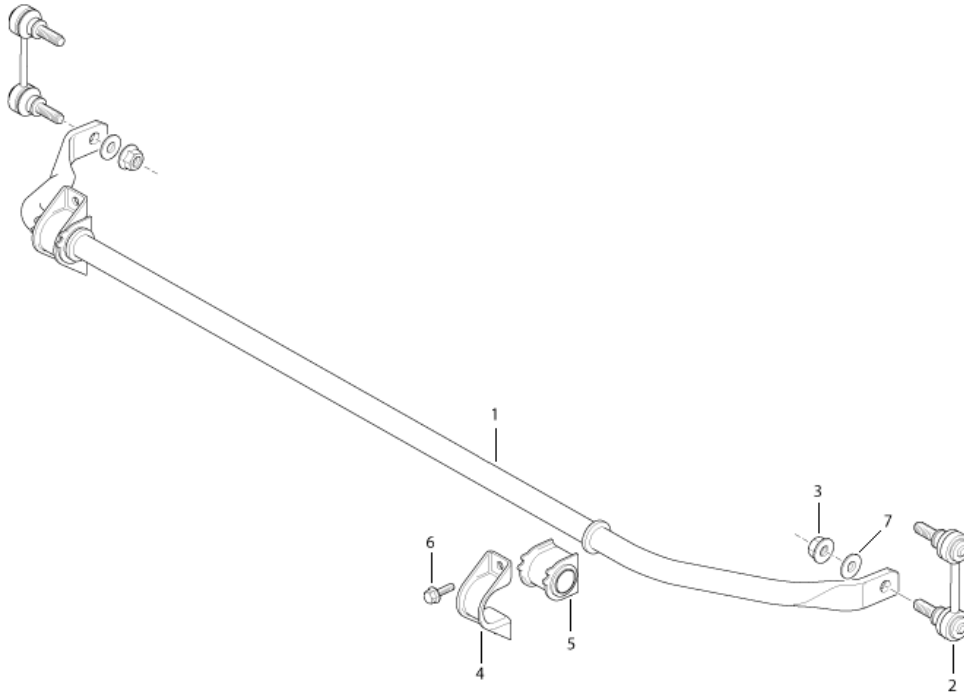
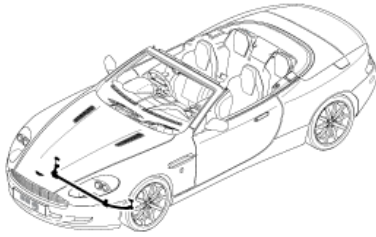
7	703566	Washer, M12 hardened	4	-
---	------------------------	----------------------	---	---

[Contents](#)

DB9 Suspension System

DB9

04 SUSPENSION SYSTEM



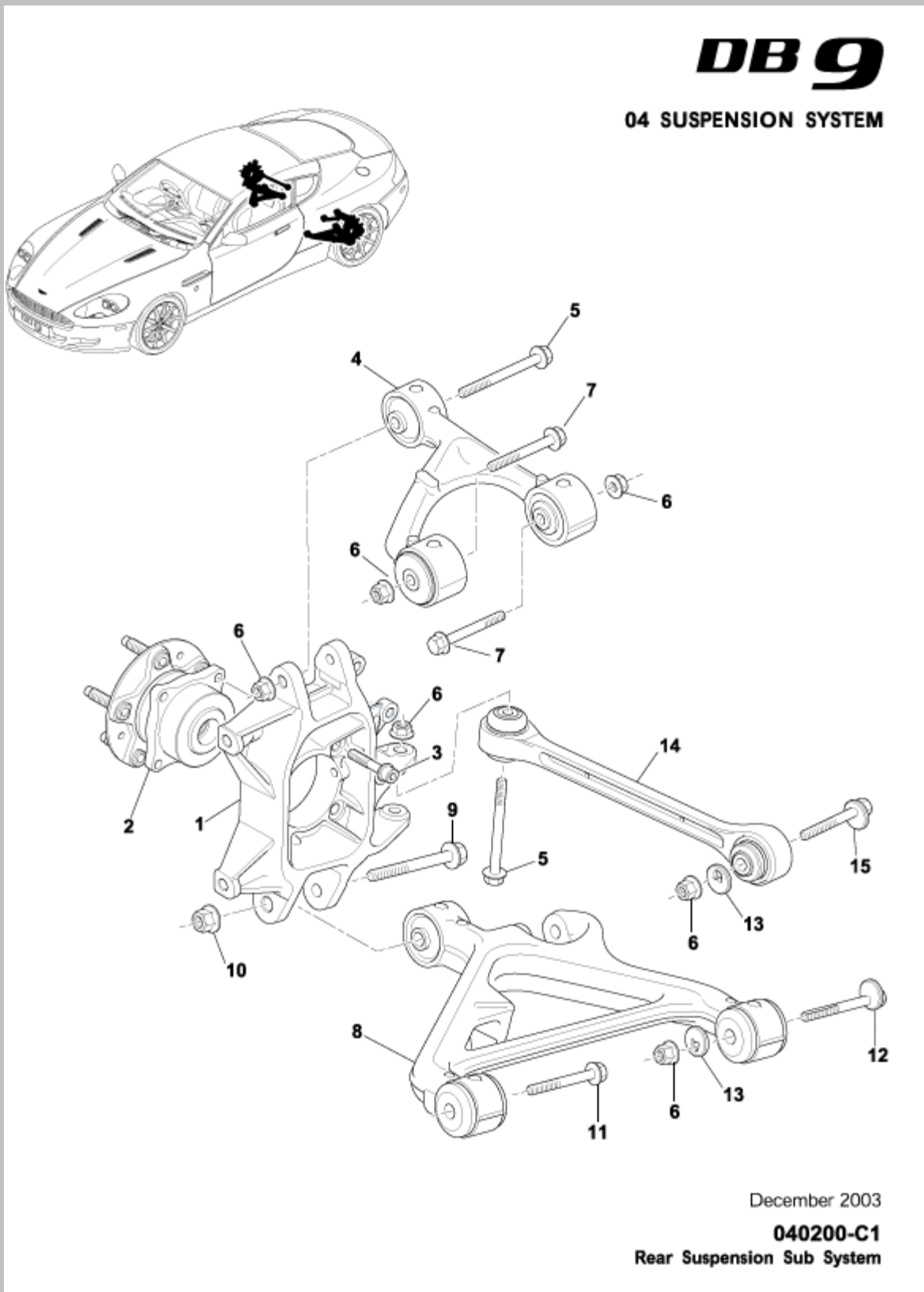
March 2008
040105-C2
Front Stabilizer Bar Assy- Volante

Front Stabilizer Bar Assy - Volante

Item	Part Number	Description	Qty	Remarks
1	6G33-5494-AB	Anti roll bar, front	1	-
2	4G43-5489-AC	Link, anti roll bar	2	-
3	702826	Nut and washer, M12	4	-
4	4G43-5487-AC	Strap, anti roll bar bush	2	-
5	6G33-5484-AB	Bush, anti roll bar	2	-
-	4G43-5494-AB	Bush, anti roll bar	2	09MY
6	703563	Screw, flg, M8 x 20	4	-
7	703566	Washer, M12 hardened	4	-

[Contents](#)

DB9 Suspension System

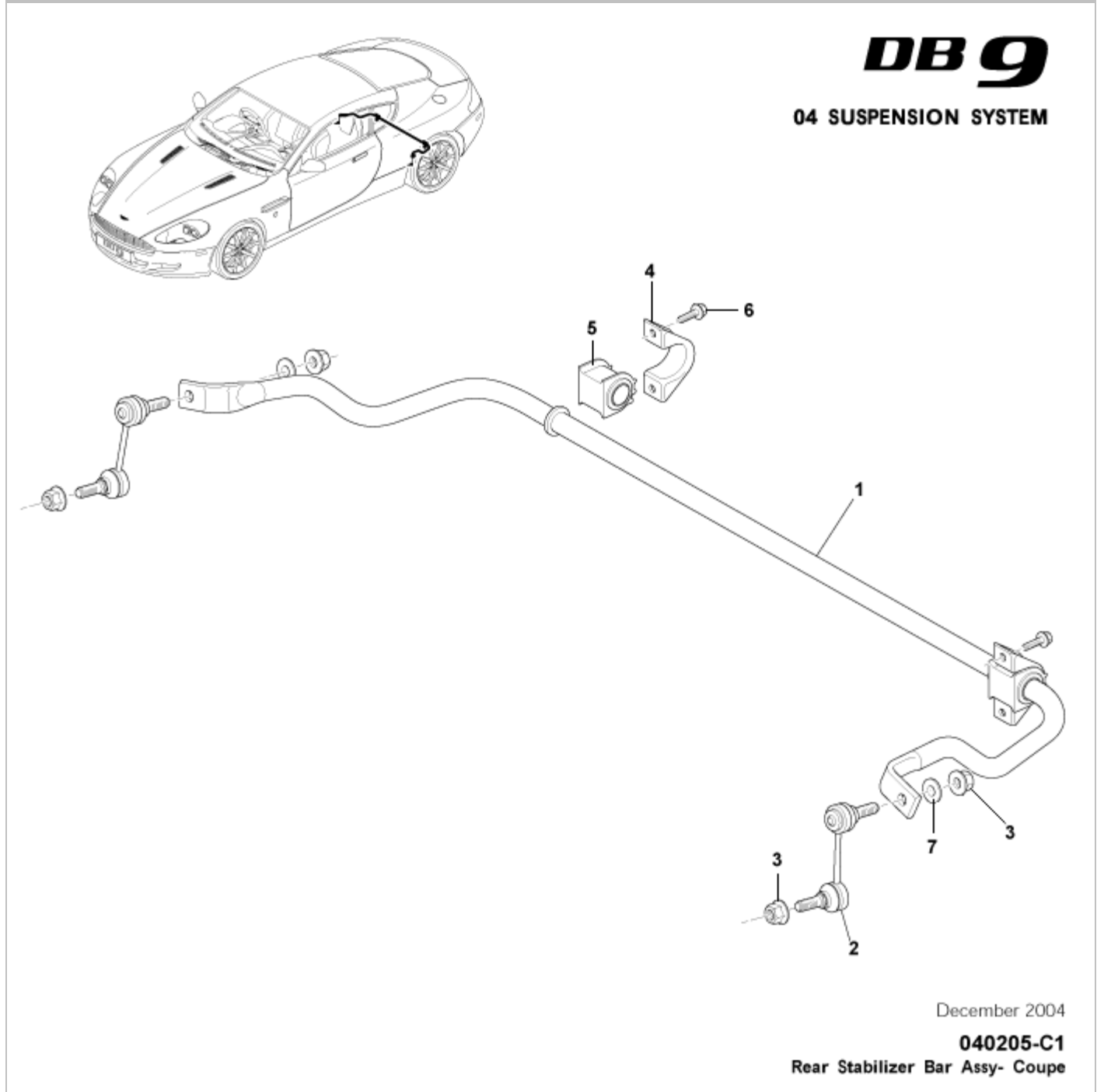


Rear Suspension Sub System

Item	Part Number	Description	Qty	Remarks
1	8D43-5A970-AA	Knuckle, RH - IMPORTANT if replacing 7G43-5A970-AA (fitted prior to Vin GB09790) replace axle set, even if one required, as bumpsteer measurement is different.	1	- from Vin GB09790
-	8D43-5A971-AA	Knuckle, LH - IMPORTANT if replacing 7G43-5A971-AA (fitted prior to Vin GB09790) replace axle set, even if one required, as bumpsteer measurement is different.	1	- from Vin GB09790
2	4G43-2B663-AC	Hub and bearing Assy,	2	-
3	4G43-0783-AA	Bolt M10x55	8	-
4	4G43-5K742-BC	Arm assy, upper, rear suspension, RH	1	-
-	4G43-5K743-BC	Arm assy, upper, rear suspension, LH	1	-
5	701338	Bolt, M12 x 110	4	-
6	703565	Nut, flg, M12	12	-
7	703181	Bolt, flg, M12 x 85	4	-
8	4G43-5B530-BD	Arm assy, lower, rear suspension, RH	1	-
-	4G43-5B531-BD	Arm assy, lower, rear suspension, LH	1	-
9	703133	Bolt, flg, M14 x 110	2	-
10	701337	Nut, flg, nyloc, M14	2	-
11	703180	Bolt, M12 x 1.75x 90	2	-
12	4G43-26-10023	Bolt, M12 eccentric	2	-
13	4G43-26-10024	Washer, M12 eccentric	4	-
14	4G43-5B551-AA	Arm assy, toe control, rear	2	-
15	4G43-5K978-AB	Bolt, M12 eccentric	2	-

[Contents](#)

DB9 Suspension System



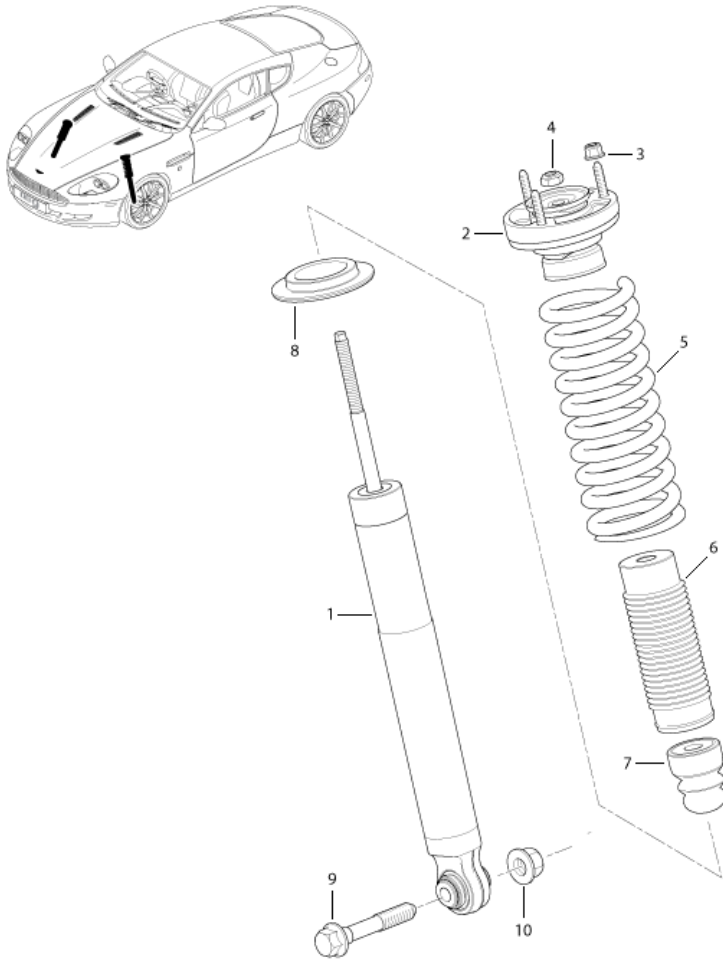
Rear Stabilizer Bar Assy - Coupe

Item	Part Number	Description	Qty	Remarks
1	4G43-5A771-AA	Anti roll bar, rear	1	-
2	4G43-5664-AC	Link anti roll bar	2	-

3	702826	Nut & washer, M12	4	-
4	4G43-5487-AC	Strap, bush	2	-
5	4G43-5484-CA	Bush	2	-
6	701154	Screw, M8 x 21	4	-
7	701744	Washer, M12 hardened	4	-

DB9

04 SUSPENSION SYSTEM



UNDER NO CIRCUMSTANCES SHOULD DAMPERS BE MIXED, FRONT TO REAR, OR SIDE TO SIDE.

March 2008

040300-B1

Front Suspension Spring & Damper Assy, Coupe 09MY

Front Suspension Spring & Damper Assy, Coupe 09MY

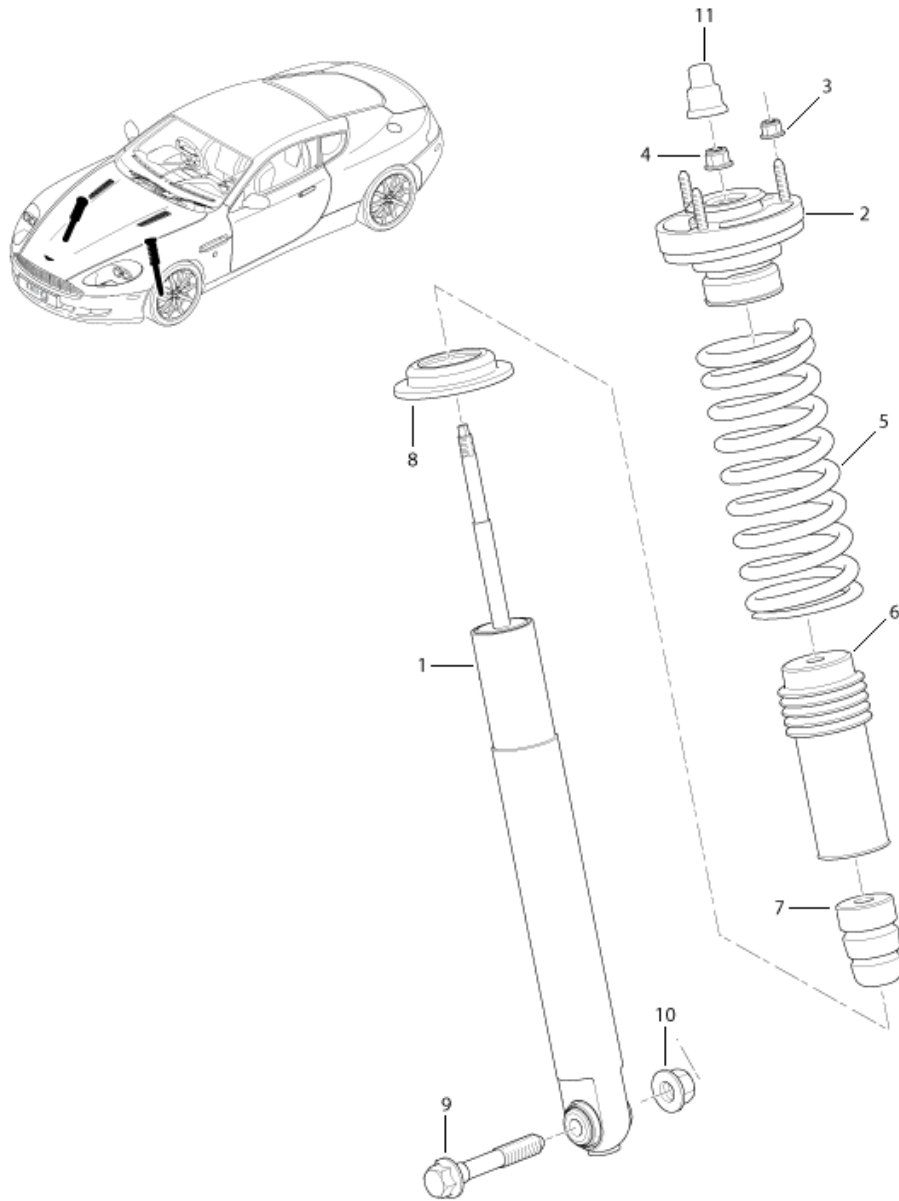
Item	Part Number	Description	Qty	Remarks
-	9G43-18B036-AC	Spring & damper assy, front	2	-
1	9G43-18045-AC	Damper, front, body/rod unit	2	-
2	8D33-18183-AB	Top mount, rear damper	2	-
3	703216	Nut, nyloc, M8	6	-
4	8D33-E620435-AA	Nut, M12	2	-
5	9G43-5310-AB	Spring	2	-
6	8D33-18A047-AA	Gaiter, damper	2	-
7	8D33-5K570-AA	Bump rubber, rear	2	-
8	8D33-5A037-AA	Spring seat	2	-
9	703135	Bolt, flg, M14 x 78	2	-
10	703166	Nut, flg, M14, prevailing torque	2	-

[Contents](#)

DB9 Suspension System

DB9

04 SUSPENSION SYSTEM



Cars up to (V) A06525 may be fitted with AF level dampers , BUT MUST BE DONE IN AXLE SETS.
UNDER NO CIRCUMSTANCES SHOULD DAMPERS BE MIXED, FRONT TO REAR, OR SIDE TO SIDE.

March 2008

040300-C1

Front Suspension Spring & Damper Assy, Coupe

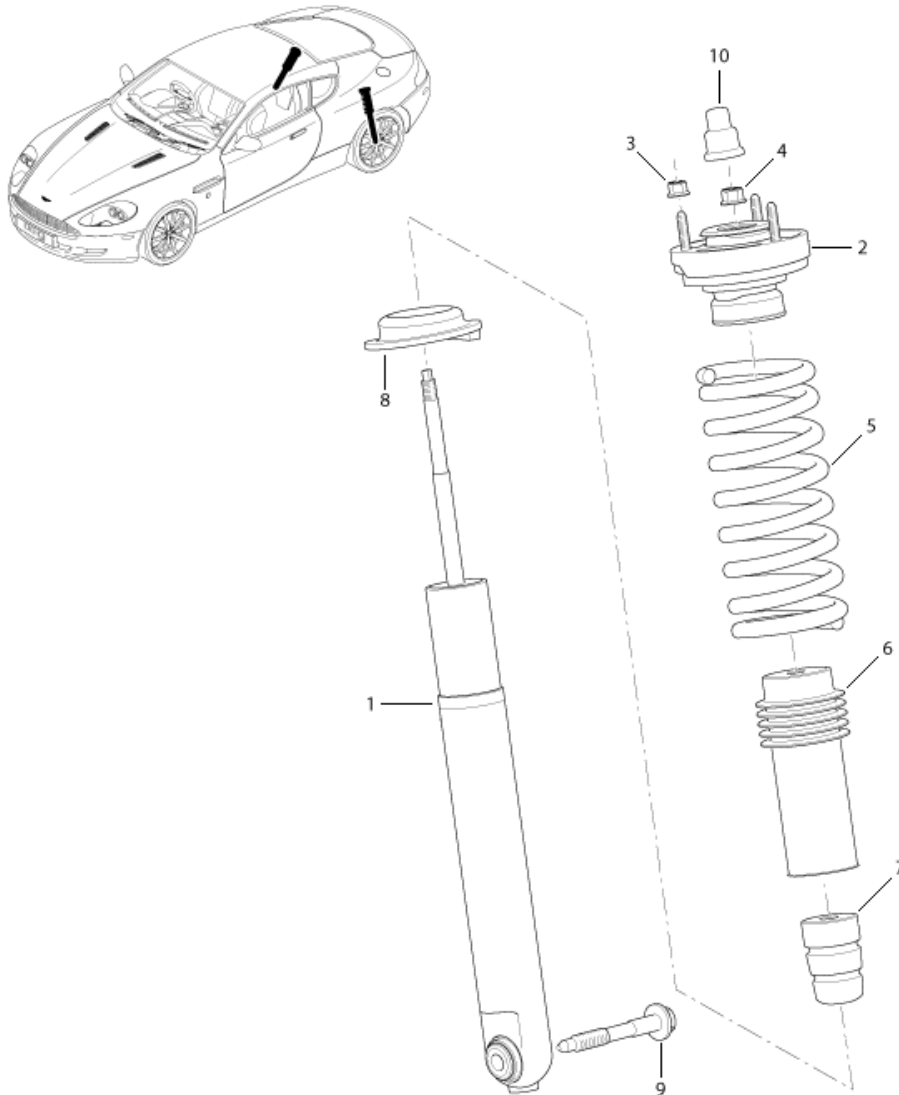
Front Suspension Spring & Damper Assy, Coupe



Item	Part Number	Description	Qty	Remarks
-	4G43-18B036-AD	Spring & damper assy, front	2	Up to (V) A01272
-	4G43-18B036-AE	Spring & damper assy, front	2	From (V) A01273 Up to (V) A06525
-	4G43-18B036-AF	Spring & damper assy, front	2	From (V) A06526
-	4G43-18B036-AG	Spring & damper assy, front	2	From (V) TBA
-	6G43-18B036-EA	Spring & damper assy, front	2	Sports pack 07MY
-	6G43-18B036-EC	Spring & damper assy, front	2	Sports pack From (5 spoke wheels)
1	4G43-18141-AA	Damper, front, body/rod unit	2	Up to (V) A01272
-	4G43-18141-AB	Damper, front, body/rod unit	2	From (V) A01273 Up to (V) A06525
-	4G43-18141-AC	Damper, front, body/rod unit	2	From (V) A06526
-	6G43-18141-AB	Damper, front, body/rod unit	2	Sports pack 07MY
2	4G43-18174-AA	Top mount, front damper	2	-
3	703216	Nut, nyloc, M8	6	-
4	701187	Nut, flg, M10	2	-
5	4G43-5310-AB	Spring, front	2	-
-	6G43-5310-EA	Spring, front	2	Sports pack 07MY
6	4G43-18A047-AA	Gaiter, damper	2	-
7	4G43-3W011-AA	Bumper rubber, front	2	-
8	4G43-5A067-AB	Spring seat	2	-
9	703135	Bolt, flg, M14 x 78	2	-
10	703166	Nut, flg, M14, prevailing torque	2	-
11	4G43-18167-AA	Cover, piston rod	2	-

DB9

04 SUSPENSION SYSTEM



Manual cars up to (V) A06525 may be fitted with AG level dampers , BUT MUST BE DONE IN AXLE SETS.
Automatic cars up to (V) A06552 may be fitted with CE level dampers , BUT MUST BE DONE IN AXLE SETS.
UNDER NO CIRCUMSTANCES SHOULD DAMPERS BE MIXED, FRONT TO REAR, OR SIDE TO SIDE.

March 2008
040300-C2
Rear Suspension Spring & Damper Assy, Coupe

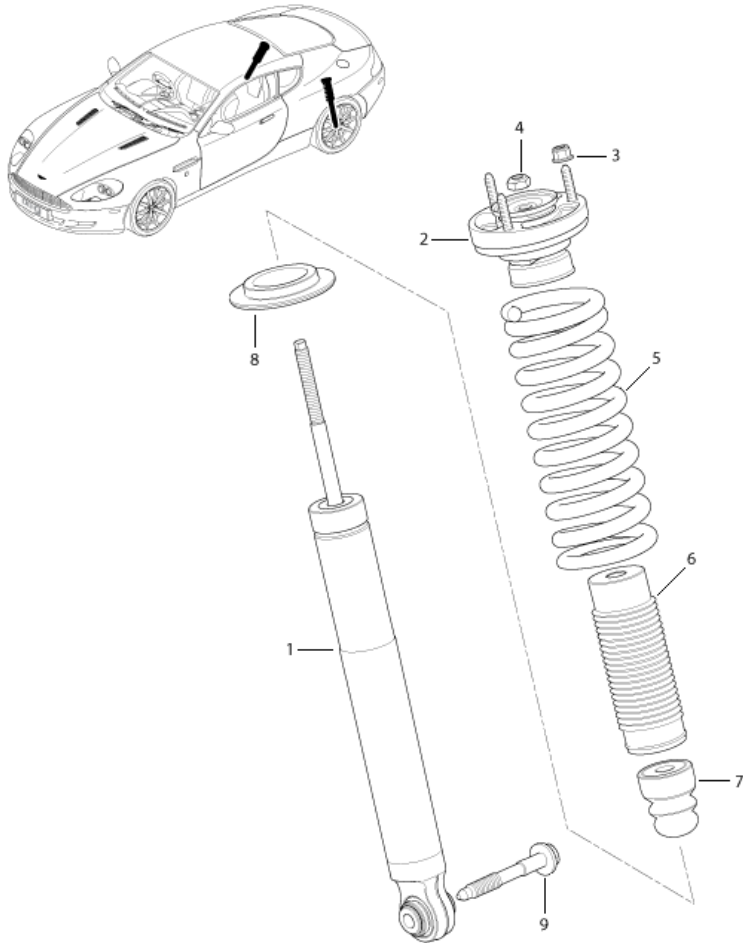
Rear Suspension Spring & Damper Assy Coupe



Item	Part Number	Description	Qty	Remarks
-	4G43-18080-AE	Spring & damper assy, rear	2	Manual Up to (V) A06525
-	4G43-18080-AG	Spring & damper assy, rear	2	Manual From (V) A06526
-	4G43-18080-AH	Spring & damper assy, rear	2	Manual From (V) TBA
-	6G43-18080-EB	Spring & damper assy, rear	2	Manual Sports pack 07MY
-	6G43-18080-ED	Spring & damper assy, rear	2	Manual Sports pack (5 spoke wheels)
-	4G43-18080-CC	Spring & damper assy, rear	2	Auto Up to (V) A01272
-	4G43-18080-CD	Spring & damper assy, rear	2	Auto From (V) A01273 Up to (V) A06552
-	4G43-18080-CE	Spring & damper assy, rear	2	Auto From (V) A06553
-	4G43-18080-CF	Spring & damper assy, rear	2	Auto From (V) TBA
-	6G43-18080-GB	Spring & damper assy, rear	2	Auto Sports pack 07MY
-	6G43-18080-GC	Spring & damper assy, rear	2	Auto Sports pack (5 spoke wheels)
1	4G43-18142-AA	Damper, rear, body/rod unit	2	Up to (V) A01272
-	4G43-18142-AB	Damper, rear, body/rod unit	2	From (V) A01273 Up to (V) A06525
-	4G43-18142-AC	Damper, rear, body/rod unit	2	From (V) A06526
-	6G43-18142-EA	Damper, rear, body/rod unit	2	Manual Sports pack 07MY
-	6G43-18142-GA	Damper, rear, body/rod unit	2	Auto Sports pack 07MY
2	4G43-18174-AA	Top mount, rear damper	2	-
3	703216	Nut, nyloc, M8	6	-
4	701187	Nut, M10	2	-
5	4G43-5560-AC	Spring, rear	2	Manual
-	6G43-5560-EA	Spring, rear	2	Manual Sports pack 07MY
-	4G43-5560-BB	Spring, rear	2	Auto
-	6G43-5560-GA	Spring, rear	2	Auto Sports pack 07MY
-	6G43-8484-AA	Isolator, rear spring coil	2	Manual/auto sports pack 07MY
6	4G43-18A047-AA	Gaiter, damper	2	-
7	4G43-5K570-AA	Bump rubber, rear	2	-
8	4G43-5A067-AB	Spring seat	2	-
9	703154	Bolt, flg, M14 x 99, damper lower attach	2	-
10	4G43-18167-AA	Cover, piston rod	2	-

DB9

04 SUSPENSION SYSTEM



UNDER NO CIRCUMSTANCES SHOULD DAMPERS BE MIXED, FRONT TO REAR, OR SIDE TO SIDE

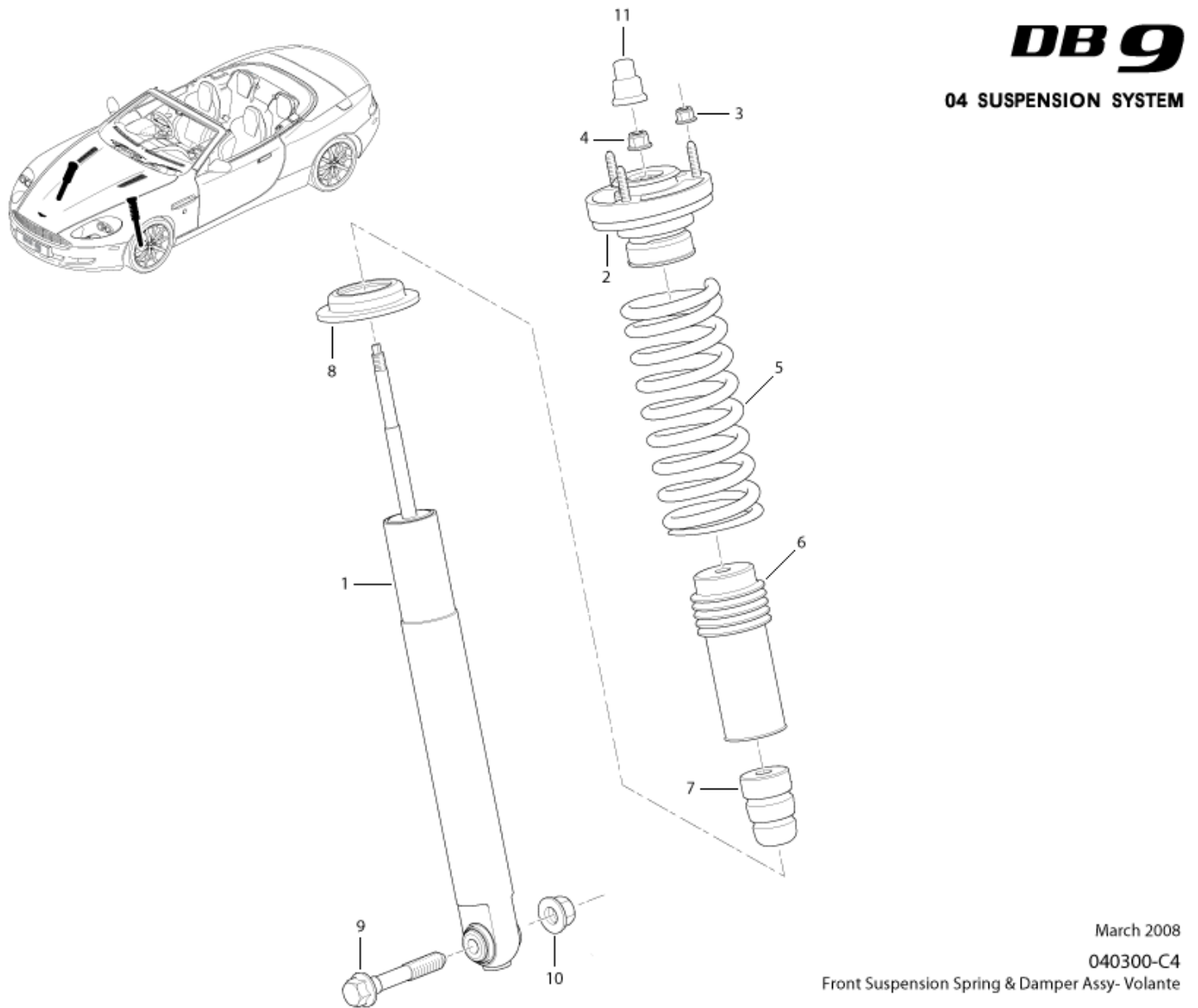
April 2008
040300-C3
Rear Suspension Spring & Damper Assy, Coupe 09MY

Rear Suspension Spring & Damper Assy, Coupe 09MY

Item	Part Number	Description	Qty	Remarks
-	9G43-18W002-AD	Spring & damper assy, rear	2	Manual
-	9G43-18W002-CD	Spring & damper assy, rear	2	Auto
1	9G43-18080-AC	Damper, rear, body/rod unit	2	-
2	8D33-18183-AB	Top mount, rear damper	2	-
3	703216	Nut, nyloc, M8	6	-
4	8D33-E620435-AA	Nut, M12	2	-
5	9G43-5560-AC	Spring	2	Manual
-	9G43-5560-CC	Spring	2	Auto
6	8D33-18A047-AA	Gaiter, damper	2	-
7	8D33-5K570-A	Bump rubber, rear	2	-
8	8D33-5A037-AA	Spring seat	2	-
9	703154	Bolt, fig, M14 x 99 damper lower attach	2	-

[Contents](#)

DB9 Suspension System



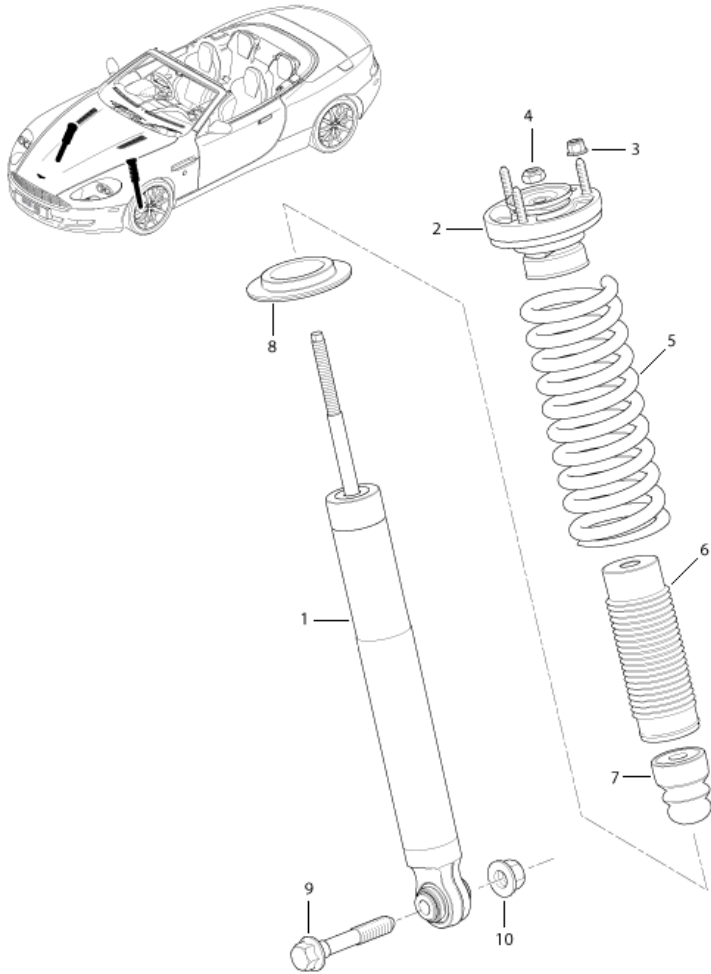
Front Suspension Spring & Damper Assy - Volante

Item	Part Number	Description	Qty	Remarks
-	4G43-18B036-BE	Spring & damper assy, front, Volante	2	Up to (V) B06726
-	4G43-18B036-BF	Spring & damper assy, front, Volante	2	From (V) B06727
-	4G43-18B036-BG	Spring & damper assy, front, Volante	2	From (V) TBA
1	4G43-18141-BC	Damper, front, body/rod unit	2	Up to (V) B06726
-	4G43-18141-BD	Damper, front, body/rod unit	2	From (V) B06727
2	4G43-18174-BA	Top mount, front damper	2	-
3	703216	Nut, nyloc, M8	6	-

4	701187	Nut, flg, M10	2	-
5	4G43-5310-BA	Spring	2	-
6	4G43-18A047-AA	Gaiter, damper	2	07/08
7	4G43-3W011-AA	Bumper rubber, front	2	07/08
8	4G43-5A067-AB	Spring seat	2	07/08
9	703135	Bolt, flg, M14 x 78	2	-
10	703166	Nut, flg, M14, prevailing torque	2	-
11	4G43-18167-AA	Cover, piston rod	2	-

DB9

04 SUSPENSION SYSTEM



UNDER NO CIRCUMSTANCES SHOULD DAMPERS BE MIXED, FRONT TO REAR, OR SIDE TO SIDE

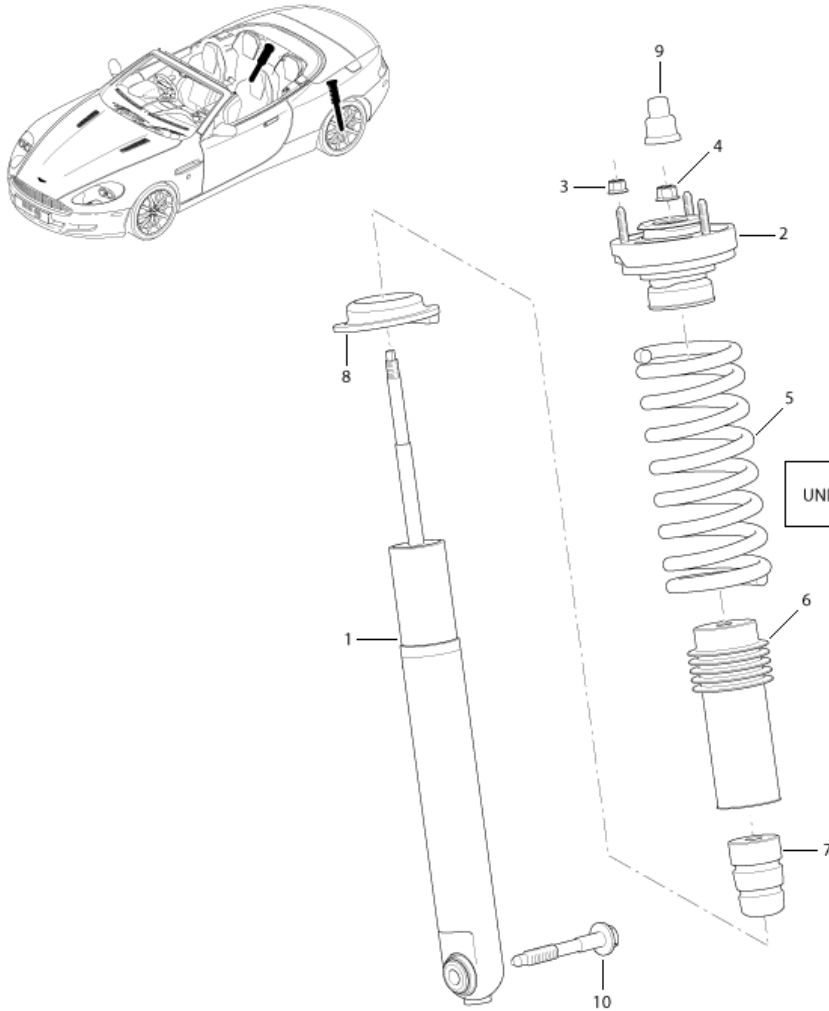
April 2008
040300-C5
Front Suspension Spring & Damper Assy- Volante, 09MY

Front Suspension Spring & Damper Assy - Volante 09MY

Item	Part Number	Description	Qty	Remarks
-	9G43-18B036-BC	Spring & damper assy, front, Volante	2	-
1	9G43-18045-BC	Damper, front, body/rod unit	2	-
2	8D33-18183-AB	Top mount, rear damper	2	-
3	703216	Nut, nyloc, M8	6	-
4	8D33-E620435-AA	Nut, M12	2	-
5	9G43-5310-BB	Spring	2	-
6	8D33-18A047-AA	Gaiter, damper	2	-
7	8D33-5K570-A	Bump rubber, rear	2	-
8	8D33-5A037-AA	Spring seat	2	-
9	703135	Bolt, flg, M14 x 78	2	-
10	703166	Nut, flg, M14, prevailing torque	2	-

DB9

04 SUSPENSION SYSTEM



UNDER NO CIRCUMSTANCES SHOULD DAMPERS BE MIXED, FRONT TO REAR, OR SIDE TO SIDE

March 2008
040300-C6
Rear Suspension Spring & Damper Assy- Volante

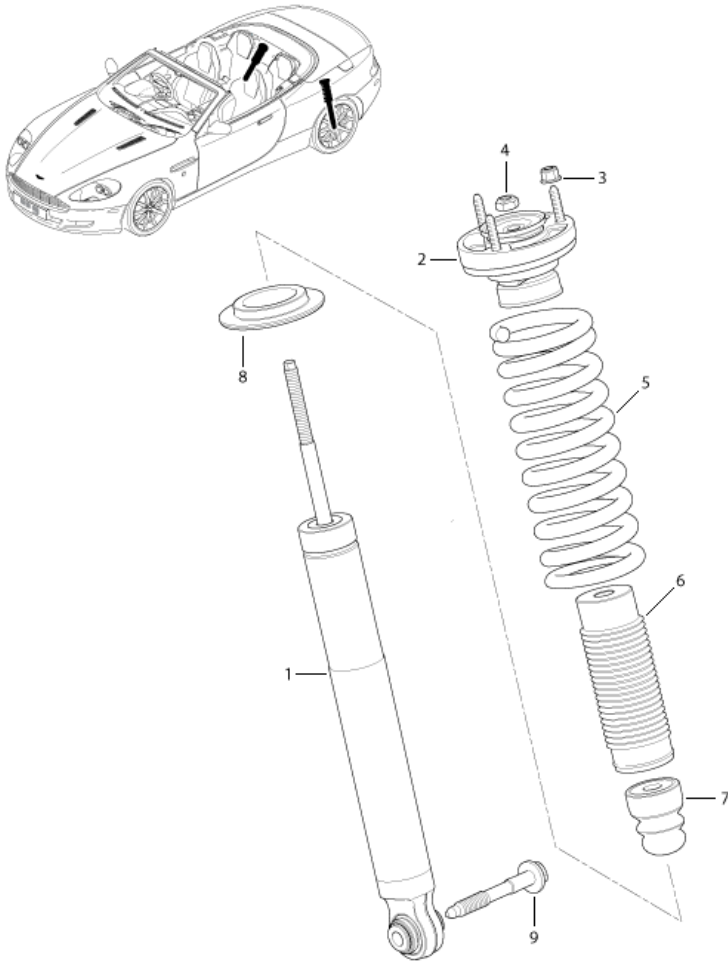
Rear Suspension Spring & Damper Assy - Volante

Item	Part Number	Description	Qty	Remarks
-	4G43-18080-BF	Spring & damper assy, rear	2	Manual Up to (V) B06726
-	4G43-18080-BG	Spring & damper assy, rear	2	Manual From (V) B06727
-	4G43-18080-BH	Spring & damper assy, rear	2	Manual From (V) TBA
-	4G43-18080-DC	Spring & damper assy, rear	2	Auto Up to (V) B06726
-	4G43-18080-DD	Spring & damper assy, rear	2	Auto From (V) B06727
-	4G43-18080-DE	Spring & damper assy, rear	2	Auto From (V) TBA
1	4G43-18142-BA	Damper, rear, body/rod unit	2	Manual Up to (V) B06726
-	4G43-18142-BC	Damper, rear, body/rod unit	2	Auto Up to (V) B06726
-	4G43-18142-BD	Damper, rear, body/rod unit	2	From (V) B06727
2	4G43-18174-AA	Top mount, rear damper	2	-
3	703216	Nut, nyloc, M8	6	-
4	701187	Nut, M10	2	-

5	4G43-5560-DA	Spring, manual	2	-
-	4G43-5560-CB	Spring, auto	2	-
6	4G43-18A047-AA	Gaiter, damper	2	-
7	4G43-5K570-AA	Bump rubber, rear	2	-
8	4G43-5A067-AB	Spring seat	2	-
9	4G43-18167-AA	Cover, piston rod	2	-
10	703154	Bolt, flg, M14 x 99 damper lower attach	2	-

DB9

04 SUSPENSION SYSTEM



UNDER NO CIRCUMSTANCES SHOULD DAMPERS BE MIXED, FRONT TO REAR, OR SIDE TO SIDE

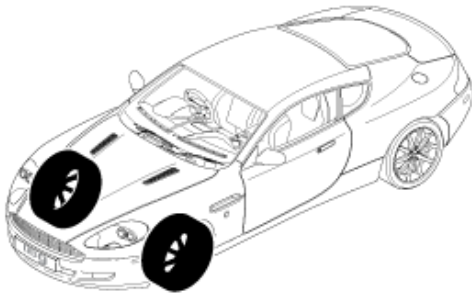
March 2008
040300-C7
Rear Suspension Spring & Damper Assy- Volante, 09MY

Rear Suspension Spring & Damper Assy - Volante 09MY

Item	Part Number	Description	Qty	Remarks
-	9G43-18W002-BC	Spring & damper assy, rear	2	Manual
-	9G43-18W002-DC	Spring & damper assy, rear	2	Auto
1	9G43-18080-BC	Damper, rear, body/rod unit	2	-
2	8D33-18183-AB	Top mount, rear damper	2	-
3	703216	Nut, nyloc, M8	6	-
4	8D33-E620435-AA	Nut, M12	2	-
5	9G43-5560-BB	Spring	2	Manual
-	9G43-5560-DB	Spring	2	Auto
6	8D33-18A047-AA	Gaiter, damper	2	-
7	8D33-5K570-A	Bump rubber, rear	2	-
8	8D33-5A037-AA	Spring seat	2	-
9	703154	Bolt, flg, M14 x 99 damper lower attach	2	-

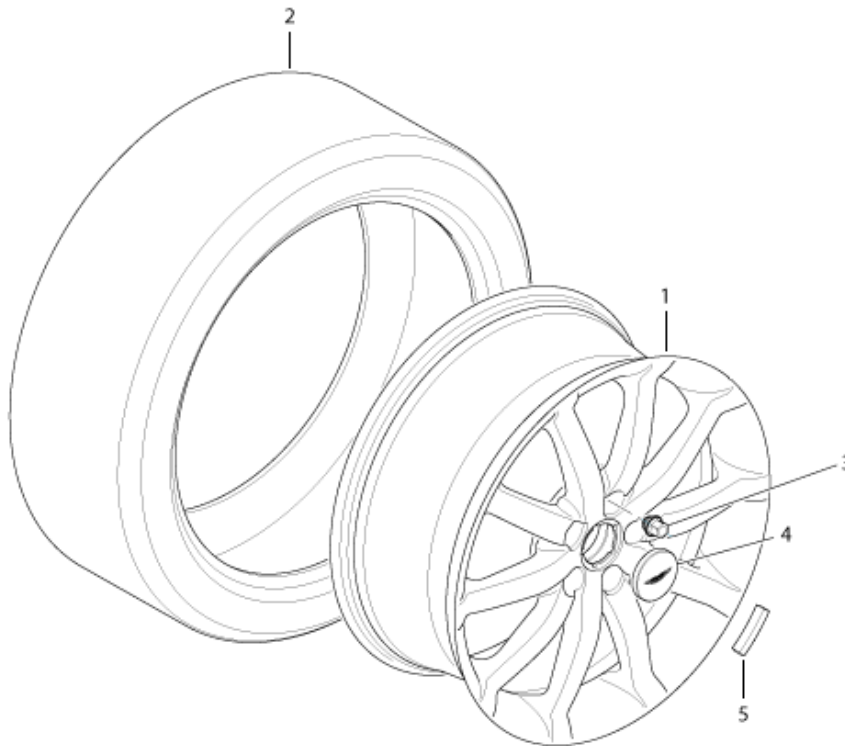
[Contents](#)

DB9 Suspension System



DB9

04 SUSPENSION SYSTEM



March 2008

040400-C1

Front Wheel & Tyre Assy- Standard

Front Wheel & Tyre Assy - Standard

Item	Part Number	Description	Qty	Remarks
1	4G43-1007-AB	Wheel, front 8.5J x 19 50.3 offset	2	-
-	9G43-1007-AC	Wheel, front 8.5J x 19 50.3 offset	2	09MY
-	4G43-1007-DB	Wheel, front, winter 18"	2	TPMS Sensors not included
-	4G43-1007-FA	Wheel, front, 15 spoke	2	Optional
-	9G43-1007-FA	Wheel, front, Silver, 20 spoke, Diamond turned	2	09MY

-	9G43-1007-HA	Wheel, front, Anthracite, 20 spoke, Diamond turned	2	09MY
-	6G43-1007-AA	Wheel, front, 8.5 x 19	2	Sportspack
-	6G43-1007-CA	Wheel, front, 8.5 x 19	2	LeMans
2	4G43-1508-AB	Tyre, front	2	-
-	4G43-1508-CA	Tyre, winter only 255-45R18	2	-
-	9G33-1508-CA	Tyre, winter only 19"	2	-
3	4G43-1K024-AD	Wheel nut, M14 x 2	10	Up to (V) A09284
-	4G43-1K024-BC	Wheel nut	10	From (V) A09285
-	6G43-1K024-AA	Wheel nut, Titanium	10	Sportspack
4	6G33-1A096-AA	Badge, wheel centre	2	-
-	7G33-1A096-BA	Badge, wheel centre, anthracite	2	-
5	1R12-36-10357	Transmitter/valve & ring set (1 wheel)	2	Up to (V) B06466
-	1R12-36-10547	Transmitter/valve & ring set (1 wheel)	2	From (V) B06467
-	1R12-360671-AC	Transmitter/valve (1 wheel)	1	09MY
-	1R12-36-10555	Dust cap, transmitter, silver	2	For use with TP monitoring valves
-	36-83832	Valve, snap in	2	-
-	4G43-1040-AA	Weight, counter balance	A/R	-
-	9G43-1040-AA	Weight, counter balance	A/R	09MY
-	4G43-974747-AA	Label, winter tyre	1	-
-	4G43-36-10809	Valve cap, metal	2	-
-	36-85998	Cap, valve, with logo	2	Sportspack

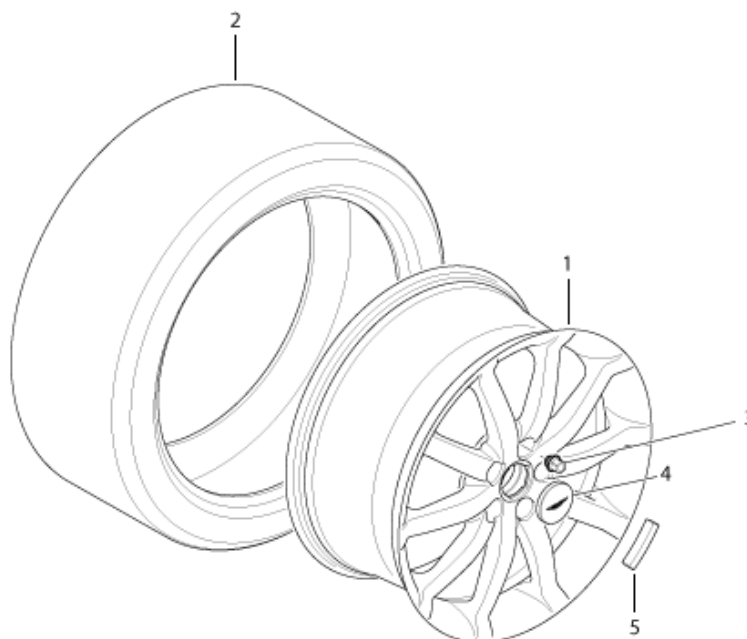
[Contents](#)

DB9 Suspension System



DB9

04 SUSPENSION SYSTEM



March 2008

040400-C2

Rear Wheel & Tyre Assy- Standard

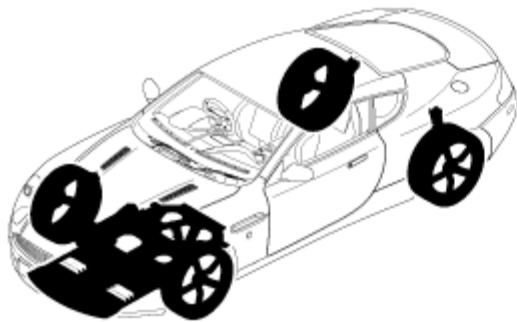
Rear Wheel & Tyre Assy - Standard

Item	Part Number	Description	Qty	Remarks
1	4G43-1007-BB	Wheel, rear 19 x 9.5J"lh	2	-
-	4G43-1007-EB	Wheel, rear, Winter 18"	2	-TPMS Sensors not included
-	4G43-1007-GA	Wheel, rear, 15 spoke	2	Optional
-	9G43-1007-BC	Wheel, rear, 9.5J x 19 62.5 offset	2	09MY
-	6G43-1007-BA	Wheel, rear, 9.5 x 19	2	Sportspack
-	6G43-1007-DA	Wheel, rear, 9.5 x 19	2	LeMans

-	9G43-1007-GA	Wheel, rear, Silver, 20 spoke , Diamond turned	2	09MY
-	9G43-1007-IA	Wheel, rear, Graphite, 20 spoke , Diamond turned	2	09MY
2	4G43-1508-BB	Tyre, P275/35ZR 19"	2	-
-	4G43-1508-DA	Tyre, Winter Only 255-40R18	2	-
-	9G33-1508-DA	Tyre, Winter Only 19"	2	-
3	4G43-1K024-AD	Wheel nut, M14 x 2	10	Up to (V) A09284
-	4G43-1K024-BC	Wheel nut	10	From (V) A09285
-	6G43-1K024-AA	Wheel Nut, Titanium	10	Sportspack
4	6G33-1A096-AA	Badge, wheel centre	2	-
-	7G33-1A096-BA	Badge, wheel centre, anthracite	2	-
5	1R12-36-10357	Transmitter/valve & ring set (1 wheel)	2	Up to (V) B06466
-	1R12-36-10547	Transmitter/valve & ring set (1 wheel)	2	From (V) B06467
-	1R12-360671-AC	Transmitter/valve (1 wheel)	1	09MY
-	1R12-36-10555	Dust cap, transmitter, silver	2	For use with TP monitoring valves
-	36-83832	Valve, Snap in	2	-
-	4G43-1040-AA	Weight, counter balance	A/R	Optional
-	9G43-1040-AA	Weight, counter balance	A/R	09MY
-	4G43-974747-AA	Label, winter tyre	1	-
-	4G43-36-10809	Valve cap, metal	2	-
-	36-85998	Cap, valve, with logo	2	Sportspack

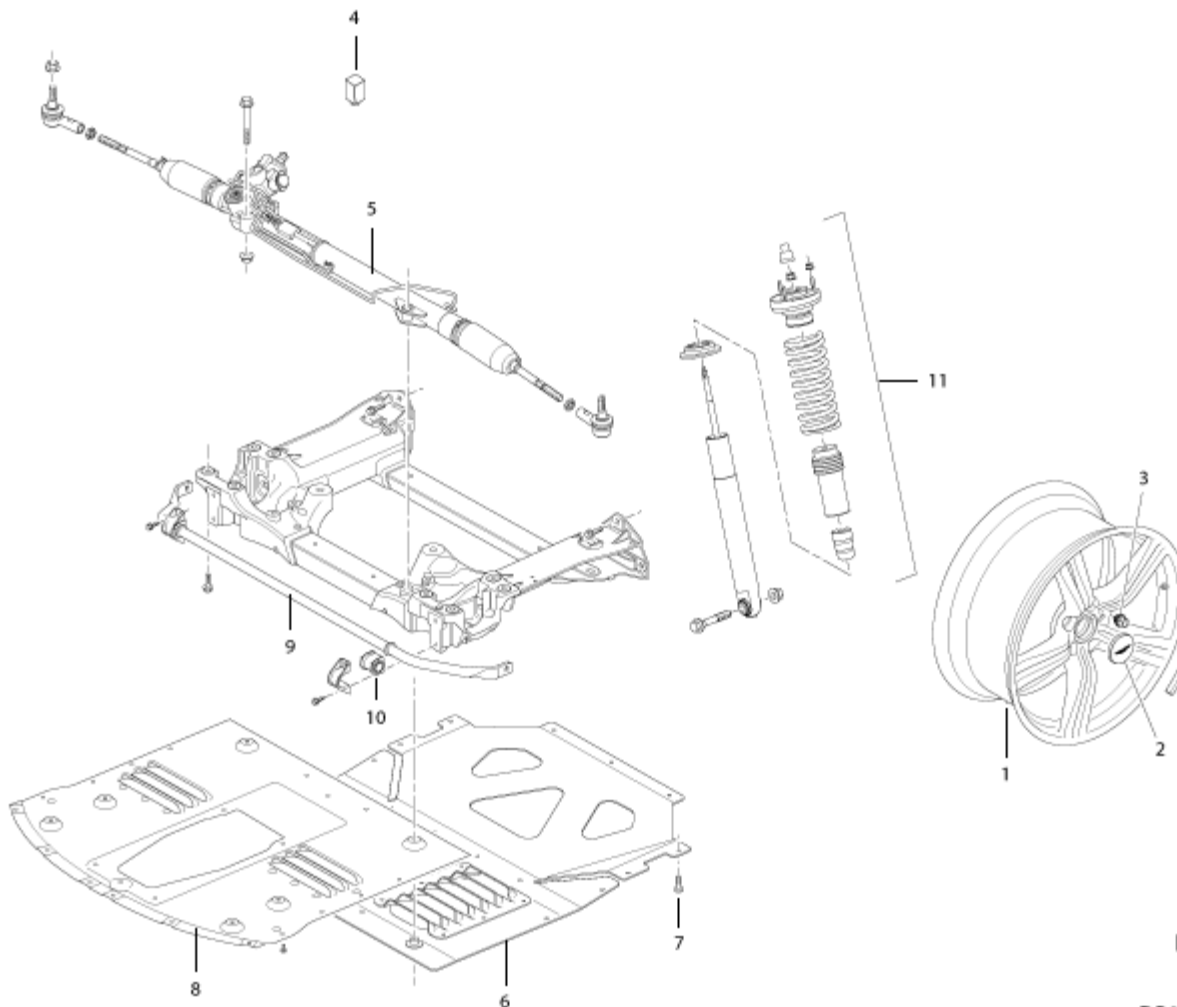
[Contents](#)

DB9 - SUSPENSION SYSTEM



DB9

DB9 SPORTS PACK KIT



November 2006

040401-C1

DB9 Sports-pack Kit

DB9 Sports-pack Kit

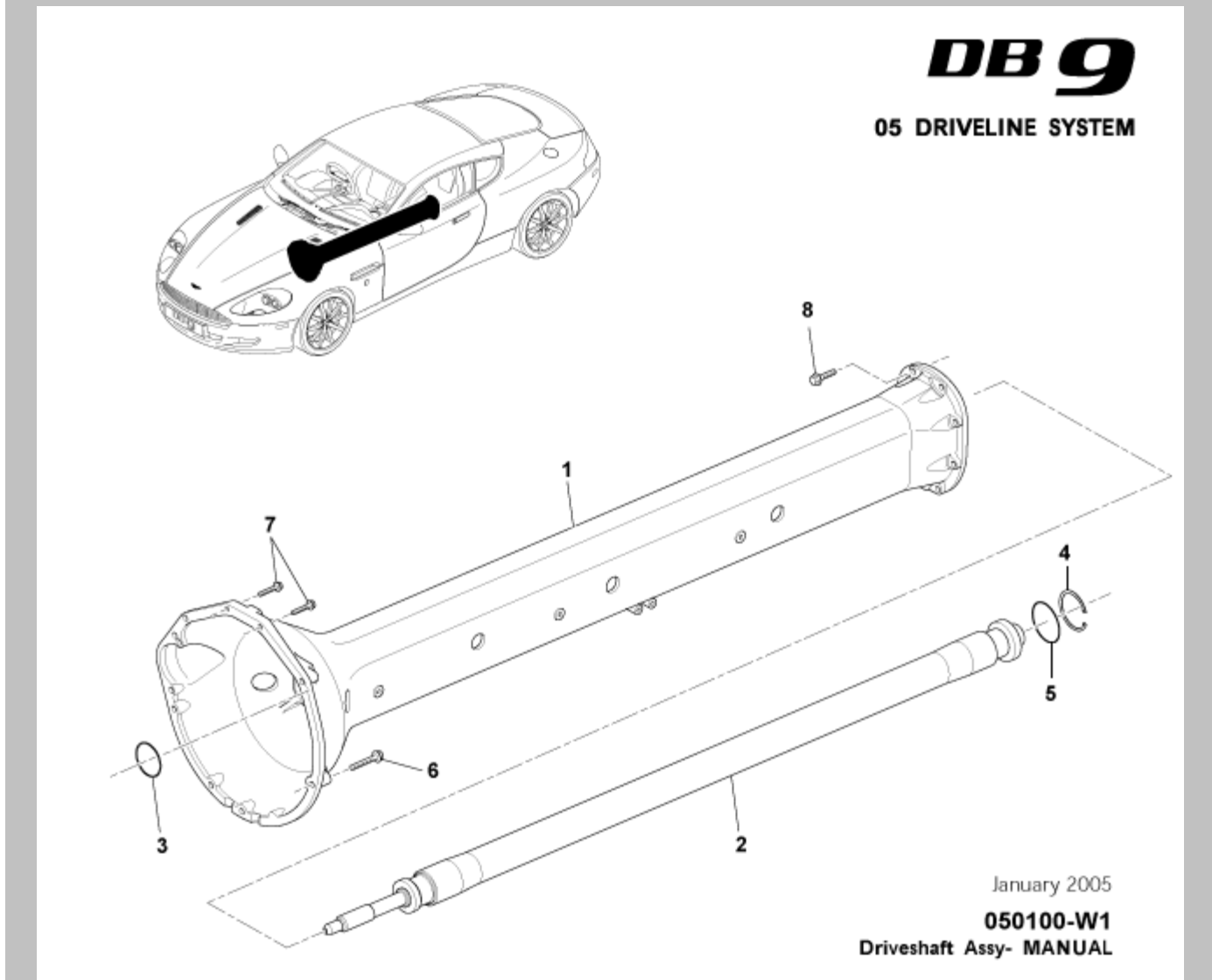
Item	Part Number	Description	Qty	Remarks
-	4G43-24-10696	RHD Complete Kit (up to 07MY)	1	-
1	6G43-1007-AA	Wheels – Front	2	-

-	6G43-1007-BA	Wheels – Rear	2	-
-	36-83832	Tyre Valve	4	-
-	36-85998	Valve Caps (with logo)	1	-
2	6G33-1A096-AA	Centre Caps	4	-
3	4G43-36-10693	Titanium Wheel Nut Kit	1	-
4	6G43-3F826-AA	Power Steering Module	1	-
5	6G43-3200-BA	Steering rack assy - RHD	1	-
6	4G43-11262-AB	Reinforced Assembly Front Floor Panel	1	-
7	699849	Screw – M8 x 30 Hex	13	-
-	702973	Rivnuts – M8	13	-
8	4G43-5E212-AB	Undertray - Front	1	-
9	6G33-5494-AB	Anti-roll Bar	1	-
10	6G33-5484-AB	Anti-roll Bar Bush	2	-
11	6G43-18B036-EB	Spring/Damper Assembly – Front	2	-
-	6G43-18080-EB	Spring/Damper Assembly - Rear	2	-Manual
-	6G43-18080-GC	Spring/Damper Assembly - Rear	2	-Auto
-	4G43-23-10694	Sports Pack Fitting Instructions	1	-
-	4G43-23-10695	DB9 Sports Pack Template Kit	1	-
-	4G43-24-10697	LHD Complete Kit (up to 07MY)	1	-
-	6G43-1007-AA	Wheels – Front	2	-
-	6G43-1007-BA	Wheels – Rear	2	-
-	36-83832	Tyre Valve	4	-
-	36-85998	Valve Caps (with logo)	1	-
-	6G33-1A096-AA	Centre Caps	4	-
-	4G43-36-10693	Titanium Wheel Nut Kit	1	-
-	6G43-3F826-AA	Power Steering Module	1	-
-	6G43-3200-AA	Assembly Gear Steering - LHD	1	-
-	4G43-11262-AB	Reinforced Assembly Front Floor Panel	1	-
-	702973	Rivnuts – M8	13	-
-	699849	Screw – M8 x 30 Hex	13	-
-	4G43-5E212-AB	Undertray - Front	1	-
-	6G33-5494-AB	Anti-roll Bar	1	-
-	6G33-5484-AB	Anti-roll Bar Bush	2	-
-	6G43-18B036-EA	Spring/Damper Assembly – Front	2	-
-	6G43-18080-EA	Spring/Damper Assembly - Rear	2	-
-	4G43-23-10694	Sports Pack Fitting Instructions	1	-
-	4G43-23-10695	DB9 Sports Pack Template Kit	1	-
-	4G43-23-10698	Complete Kit (07MY Onwards)	1	-
-	6G43-1007-AA	Wheels – Front	2	-

-	6G43-1007-BA	Wheels – Rear	2	-
-	36-83832	Tyre Valve	4	-
-	36-85998	Valve Caps (with logo)	1	-
-	6G33-1A096-AA	Centre Caps	4	-
-	4G43-36-10693	Titanium Wheel Nut Kit	1	-
-	4G43-11262-AB	Reinforced Assembly Front Floor Panel	1	-
-	702973	Rivnuts – M8	13	-
-	699849	Screw – M8 x 30 Hex	13	-
-	4G43-5E212-AB	Undertray - Front	1	-
-	6G33-5494-AB	Anti-roll Bar	1	-
-	6G33-5484-AB	Anti-roll Bar Bush	2	-
-	6G43-18B036-EA	Spring/Damper Assembly – Front	2	-
-	6G43-18080-EA	Spring/Damper Assembly - Rear	2	-
-	4G43-23-10694	Sports Pack Fitting Instructions	1	-
-	4G43-23-10695	DB9 Sports Pack Template Kit	1	-
-	4G43-36-10692	Sports Wheel Kit	1	-
-	6G43-1007-AA	Wheels – Front	2	-
-	6G43-1007-BA	Wheels – Rear	2	-
-	36-83832	Tyre Valve	4	-
-	36-85998	Valve Caps (with logo)	1	-
-	6G33-1A096-AA	Centre Caps	4	-
-	4G43-36-10693	Titanium Wheel Nut Kit	1	-

[Contents](#)

DB9 Driveline System



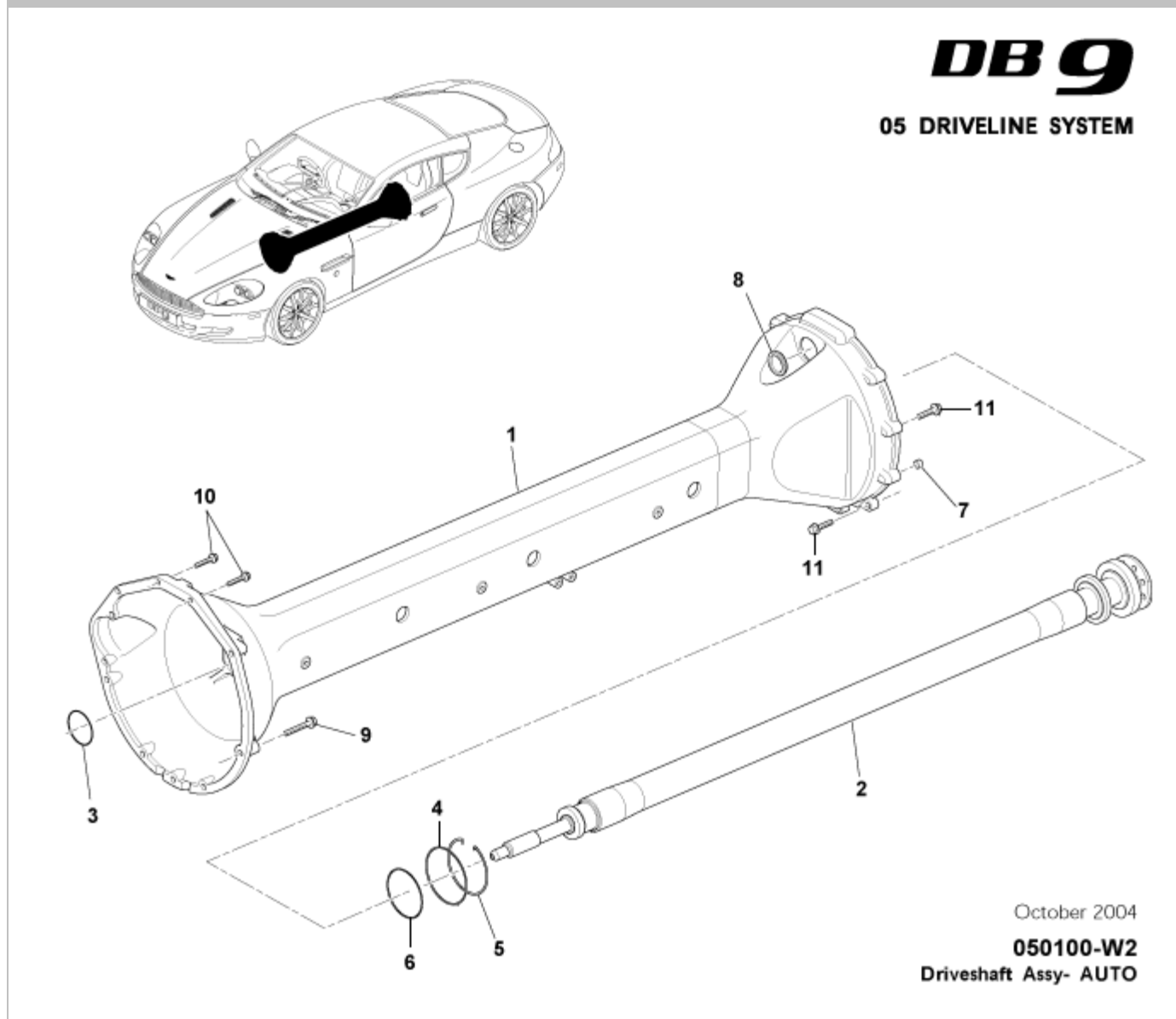
Driveshaft Assy - Manual

Item	Part Number	Description	Qty	Remarks
-	4G43-4500-AG	Torque Tube & Drive Shaft Assy	1	Up to (V) A07422
-	8D33-4500-AA	Torque Tube & Drive Shaft Assy	1	From (V) A07423
1	4G43-7B084-AH	Torque tube, manual	1	Up to (V) A07422
1	8D33-7B084-AA	Torque tube, manual	1	From (V) A07423
2	4G43-4602-AD	Propeller shaft, manual	1	-
3	NSS	'O' ring	1	-
4	NSS	Circlip	1	-
5	NSS	'O' ring	1	-

6	701167	Bolt, M10 x 65	7	07MY
-	703191	Bolt, M10 x 65	7	08MY From (V) A09110
7	701153	Bolt, M8	2	07MY
-	703195	Bolt, M8	2	08MY From (V) A09110
8	702281	Bolt, M10 x 40	8	07MY
-	703192	Bolt, M10 x 40	8	08MY From (V) A09110

[Contents](#)

DB9 Driveline System



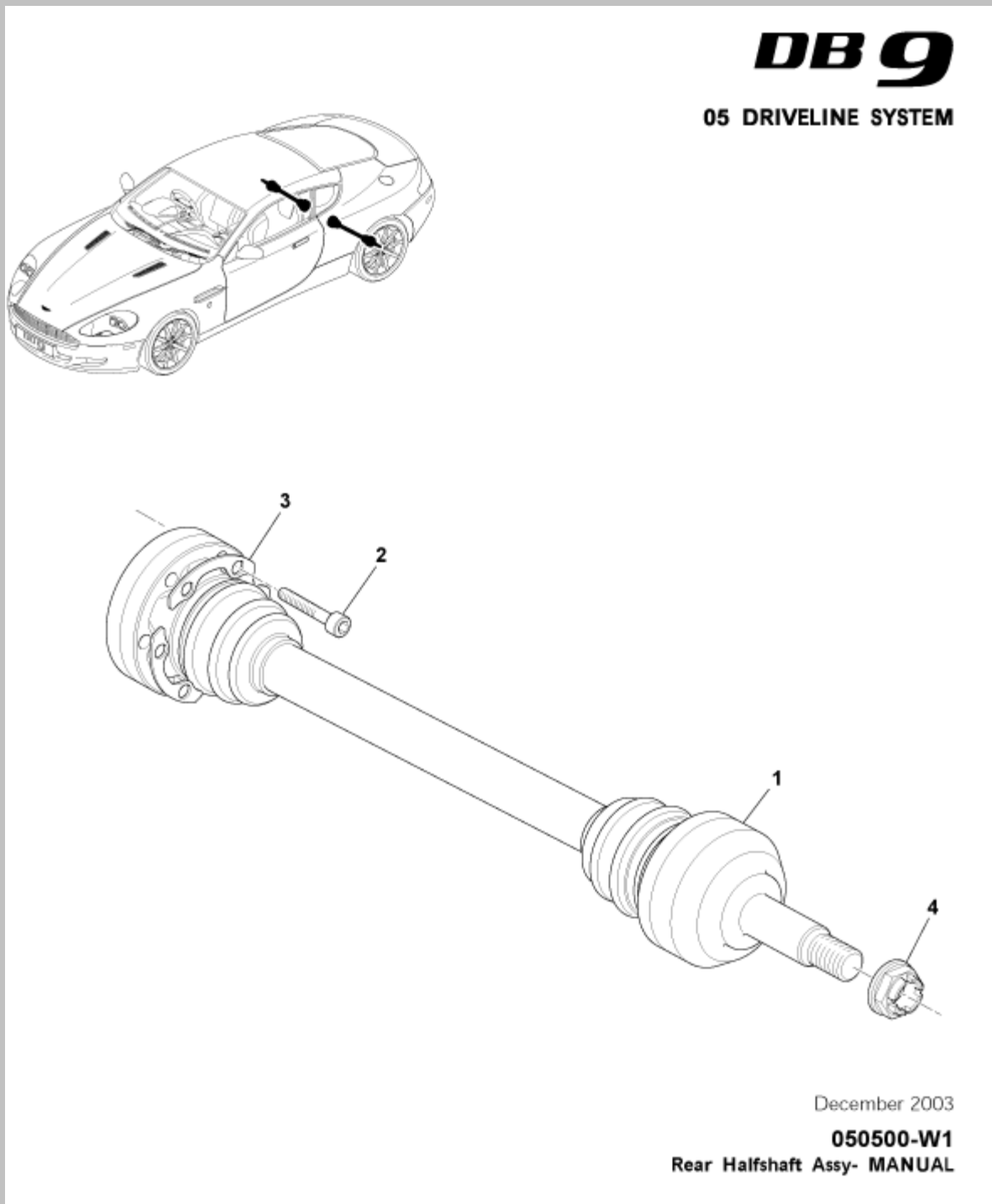
Driveshaft Assy - Auto

Item	Part Number	Description	Qty	Remarks
-	4G43-4500-BE	Torque tube & drive shaft assy	1	Up to (V) TBA
-	8D33-4500-BA	Torque tube & drive shaft assy	1	From (V) TBA
1	4G43-7B084-BE	Torque tube, auto	1	Up to (V) TBA
-	8D33-7B084-BA	Torque tube, auto	1	From (V) TBA
2	4G43-4602-BE	Propeller shaft, auto	1	-
3	NSS	'O' ring	1	-
4	NSS	'O' ring	1	-

5	4G43-6922-AA	Circlip, retaining	1	-
6	NSS	'O' ring	1	-
7	4G43-6397-AA	Dowel	2	-
8	4G43-42-10021	Plug	2	-
9	701167	Bolt, M10 x 65	7	07MY
-	703191	Bolt, M10 x 65	7	08MY From (V) A09110
10	701153	Bolt, M8	2	07MY
-	703195	Bolt, M8	2	08MY From (V) A09110
11	701168	Bolt, M10 x 45	12	07MY
-	703159	Bolt, M10 x 45	12	08MY From (V) A09110

[Contents](#)

DB9 Driveline System



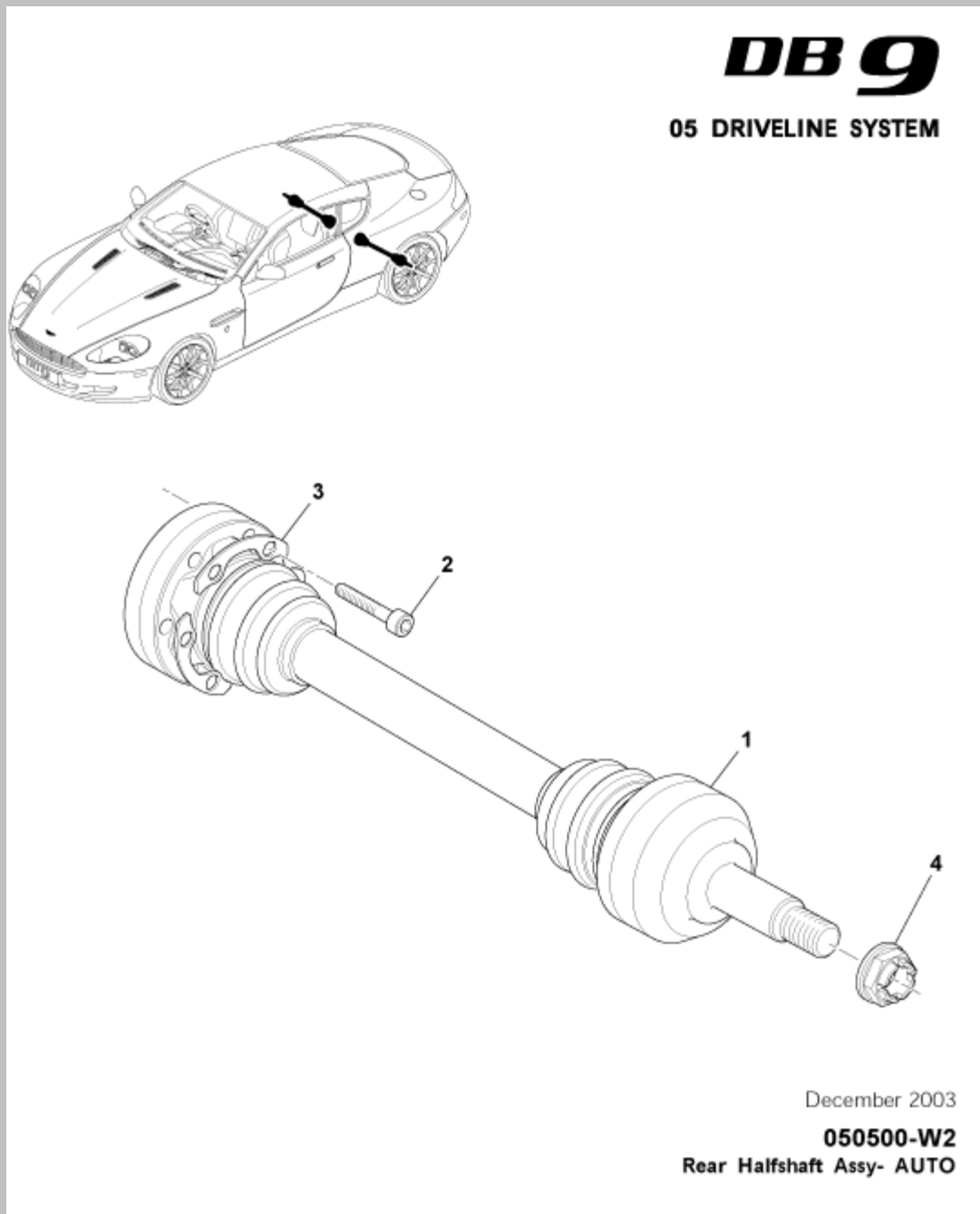
Rear Halfshaft Assy - Manual

Item	Part Number	Description	Qty	Remarks
1	4G43-4K139-AB	Driveshaft assy, LH - halfshaft	1	-
-	4G43-4B402-AB	Driveshaft assy, RH - halfshaft	1	-

2	4G43-CD60-AC	Screw	12	07MY
-	4G43-CD60-AE	Screw	12	08MY From (V) A09110
3	4G43-4K228-AA	Plate	6	-
4	1R12-26-10336	Nut	2	07MY
-	6W83-4B423-AA	Nut	2	08MY From (V) A09110

[Contents](#)

DB9 Driveline System



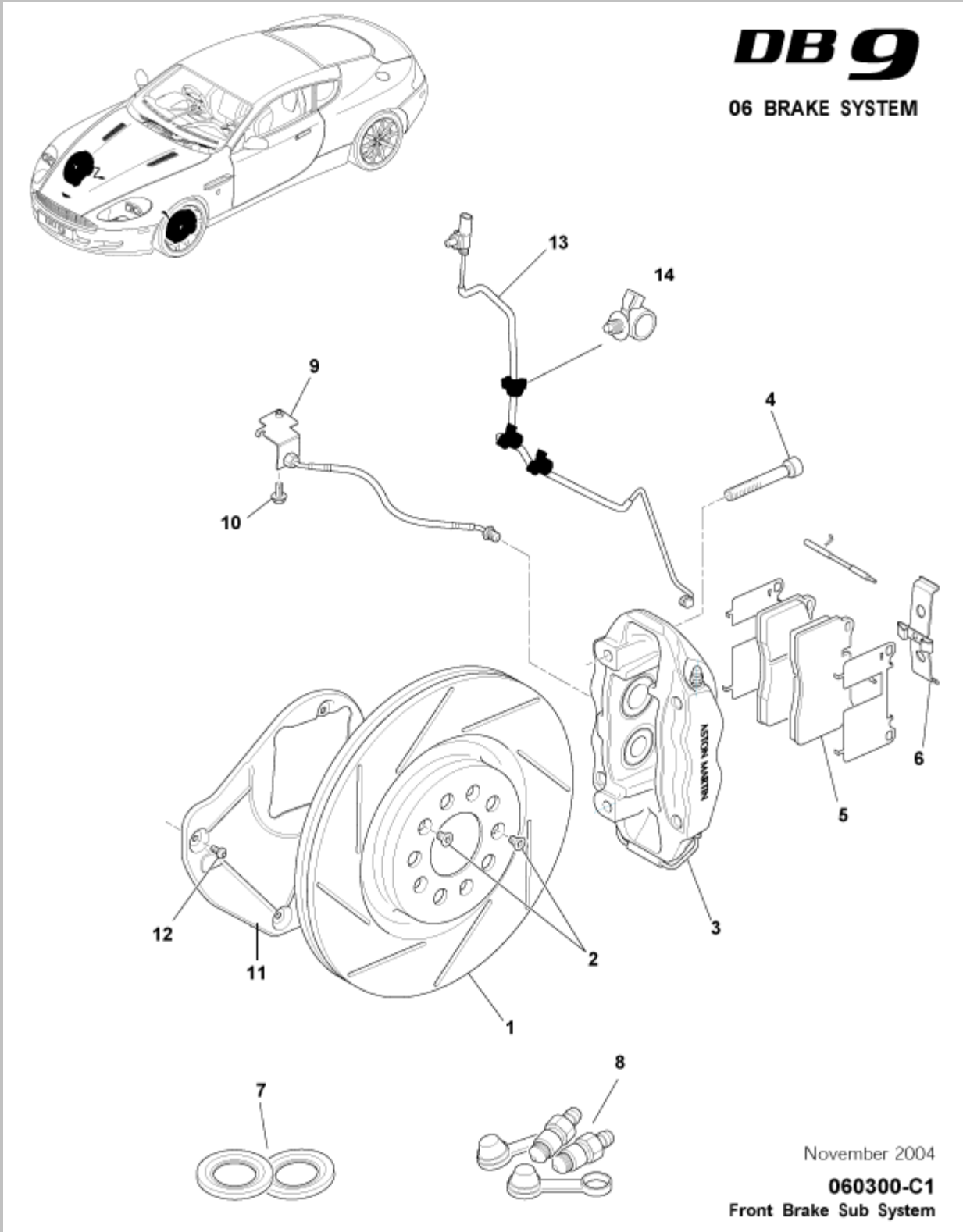
Rear Halfshaft Assy - Auto

Item	Part Number	Description	Qty	Remarks
1	4G43-4B402-AB	Driveshaft assy, LH - halfshaft	1	-
-	4G43-4K138-BB	Driveshaft assy, RH - halfshaft	1	-
2	4G43-CD60-AC	Screw	12	07MY
-	4G43-CD60-AE	Screw	12	08MY From (V) A09110

3	4G43-4K228-AA	Plate	6	-
4	1R12-26-10336	Nut	2	07MY
-	6W83-4B423-AA	Nut	2	08MY From (V) A09110

[Contents](#)

DB9 Brake System



November 2004

060300-C1

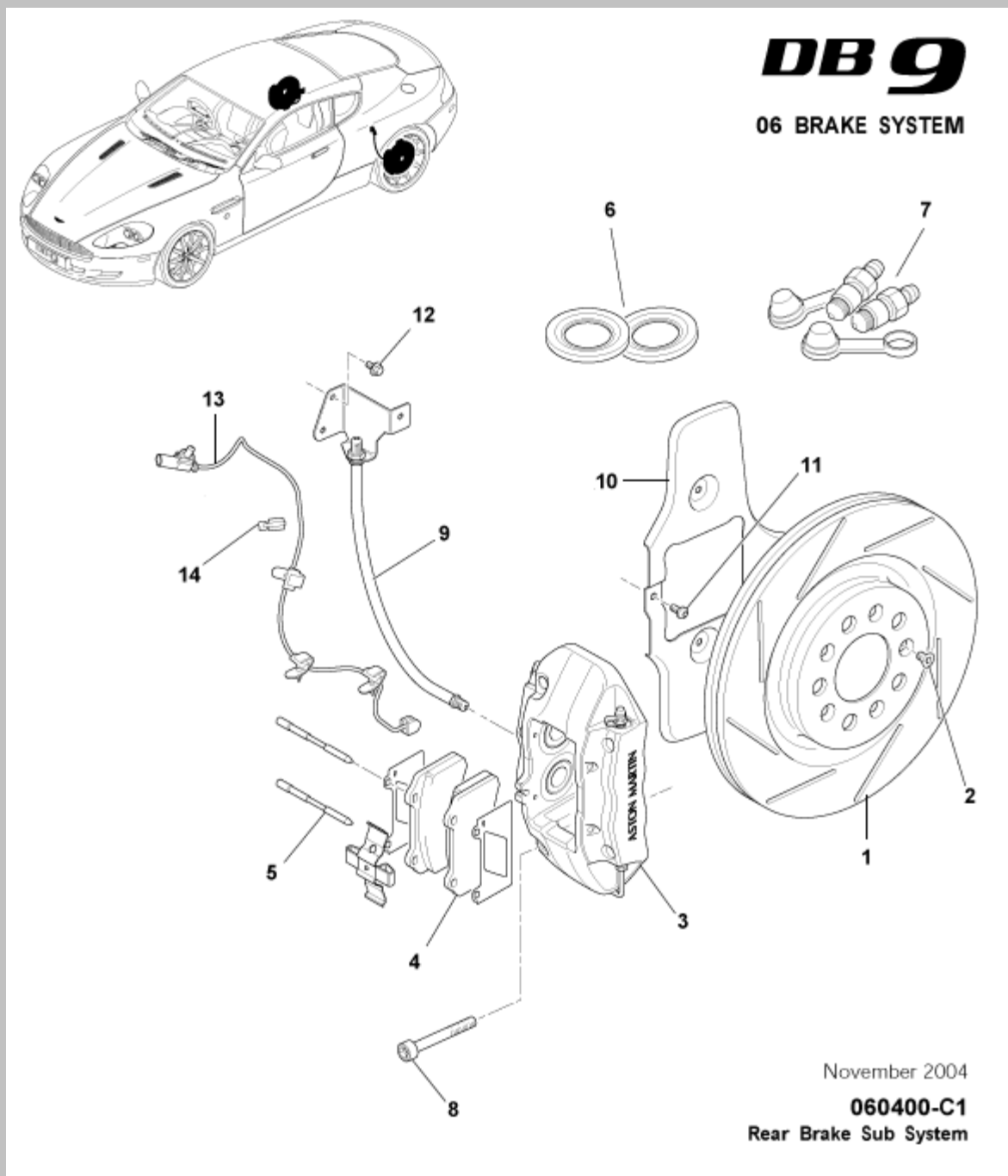
Front Brake Sub System

Front Brake Sub System

Item	Part Number	Description	Qty	Remarks
1	4G43-28-10265	Disc, front brake, (1 pair)	1	-
2	4G43-2N389-AA	Screw, M8 x 14 flat hd csk	4	-
3	4G43-2C463-AA	Caliper, front, grey, no pads, LH	1	-
-	4G43-2C462-AA	Caliper, front, grey, no pads, RH	1	-
-	4G43-2C463-CA	Caliper, front, black, no pads, LH	1	-
-	4G43-2C462-CA	Caliper, front, black, no pads, RH	1	-
-	4G43-2C463-DA	Caliper, front, red, no pads, LH	1	-
-	4G43-2C462-DA	Caliper, front, red, no pads, RH	1	-
-	4G43-2C463-EA	Caliper, front, silver, no pads, LH	1	-
-	4G43-2C462-EA	Caliper, front, silver, no pads, RH	1	-
4	4G43-2C564-AB	Bolt, brake caliper to knuckle	4	-
-	4G43-28-10941	Kit, brake pads & shims, front	1	-
5	4G43-2D007-AA	Brake pad kit, front	1	Per Axle Set
6	4G43-2C588-AA	Kit, pad spring & pin, front	1	Per Caliper
7	4G43-32180-AA	Kit, dust boot, front	1	Per Caliper
8	4G43-2C563-AA	Kit, bleed screw	1	Per Caliper
-	4G43-33693-AA	Cap, bleed screw	1	Per caliper
9	4G43-2078-AB	Hose assy, brake front, LH	1	-
-	4G43-2078-BB	Hose assy, brake front, RH	1	-
10	703265	Bolt, M6 x 16	2	-
11	4G43-2K005-AB	Shield front brake disc, LH	1	-
-	4G43-2K004-AB	Shield front brake disc, RH	1	-
12	4G43-13D026-AA	M6 pan hd lobe drive	8	-
13	4G43-2L507-AB	Pad wear lead, front	2	-
14	4G43-65-10059	Firtree clip	6	Pad wear lead retention

[Contents](#)

DB9 Brake System



Rear Brake Sub System

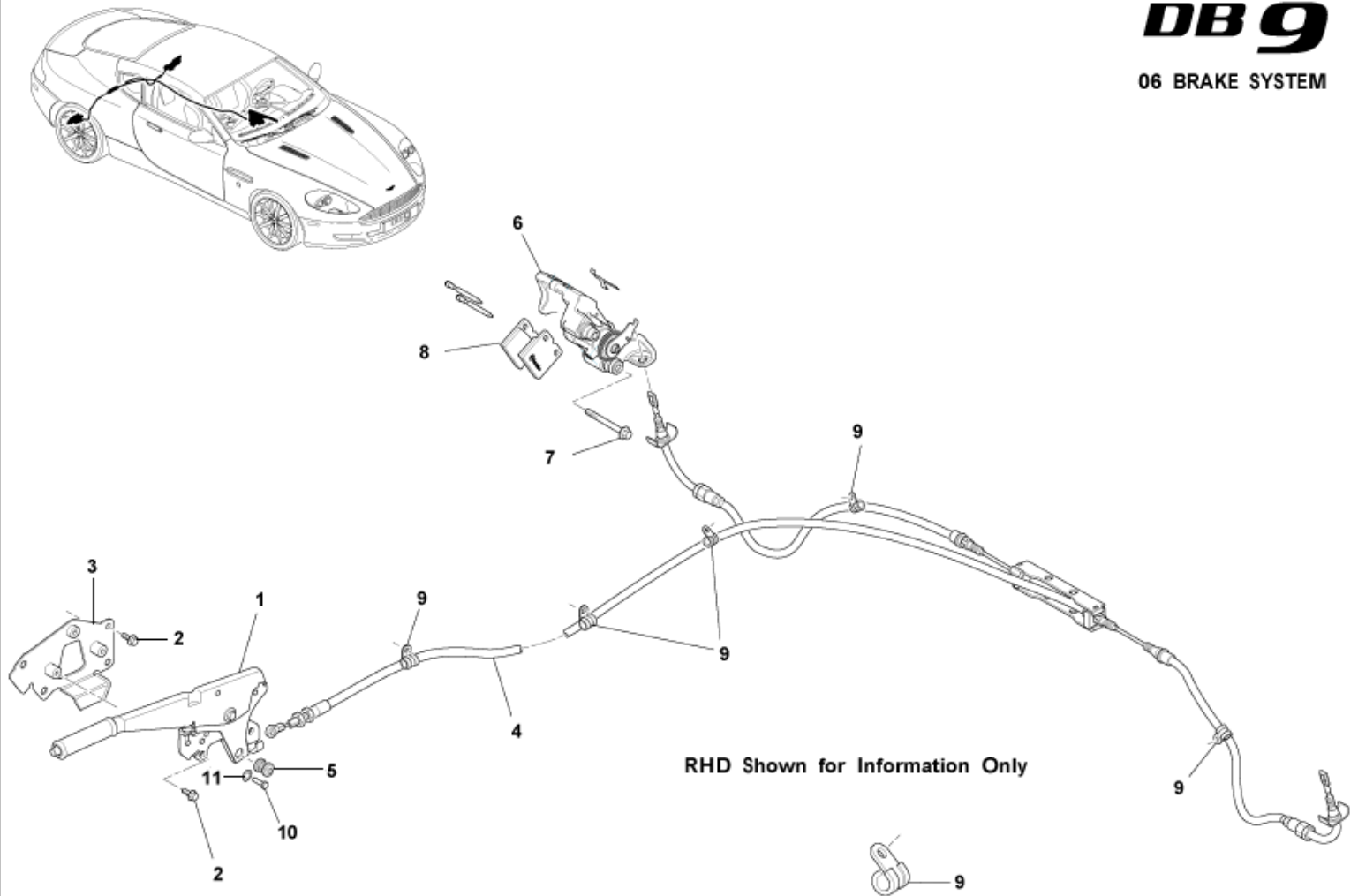
Item	Part Number	Description	Qty	Remarks
1	4G43-2C026-AF	Disc, brake rear	2	-
2	4G43-2N389-AA	Screw, M8 fl hd csk	4	-
3	7G43-2C465-AA	Caliper, rear, grey, no pads, LH	1	-

-	7G43-2C464-AA	Caliper, rear, grey, no pads, RH	1	-
-	7G43-2C465-CA	Caliper, rear, black, no pads, LH	1	-
-	7G43-2C464-CA	Caliper, rear, black, no pads, RH	1	-
-	7G43-2C465-DA	Caliper, rear, red, no pads, LH	1	-
-	7G43-2C464-DA	Caliper, rear, red, no pads, RH	1	-
-	7G43-2C465-EA	Caliper, rear, silver, no pads, LH	1	-
-	7G43-2C464-EA	Caliper, rear, silver, no pads, RH	1	-
-	4G43-28-10942	Kit, brake pads & shims, rear	1	-
4	4G43-2C562-AA	Pad kit, rear	1	Per axle set
5	4G43-2C588-BA	Kit, pad spring & pin, rear caliper	1	Per caliper
6	4G43-32610-AA	Kit, dust boot, rear caliper	1	Per caliper
7	4G43-2C563-AA	Kit, bleed screw	1	Per caliper
-	4G43-33693-AA	Cap, bleed screw	1	Per caliper
8	4G43-2C564-AB	Bolt, sckt hd	4	Caliper to knuckle
9	4G43-2282-AA	Hose assy, LH	1	Up to 08MY
-	8G43-2282-AA	Hose assy, LH	1	08MY onwards
-	4G43-2282-BA	Hose assy, RH	1	Up to 08MY
-	8G43-2282-BA	Hose assy, RH	1	08MY onwards
10	4G43-2C029-AA	Shield, rear brake disc, LH	1	-
-	4G43-2C028-AA	Shield, rear brake disc, RH	1	-
11	4G43-13D026-AA	Screw, flg, M6 x 14	8	-
12	703265	Screw, flg, M6 x 16	2	-
13	4G43-2D009-AB	Pad wear lead, rear	2	-
14	37-90075	Tie strap	2	Pad wear lead to flex hose

[Contents](#)

DB9 Brake System

DB9
06 BRAKE SYSTEM



December 2004

060500-C2
Parking Brake- MANUAL LHD

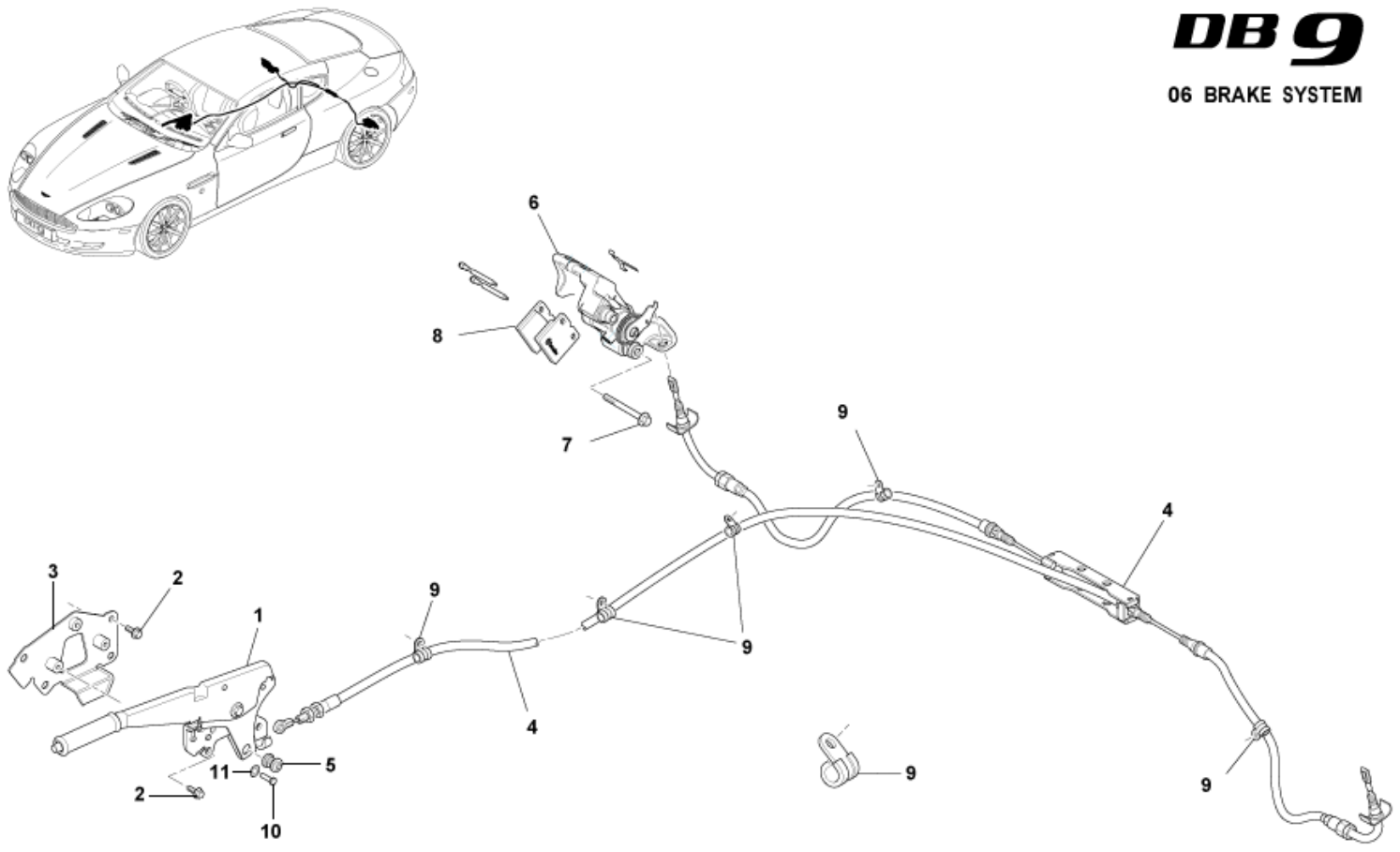
Parking Brake - Manual LHD

Item	Part Number	Description	Qty	Remarks
1	4G43-8492-AA	Handbrake Lever Assy LHD	1	-
2	703121	Screw, M8 hex flg hd	6	-
3	4G43-2A686-AB	Bracket assy LHD	1	-
4	4G43-2853-AD	Handbrake cable Assy	1	-
5	6G33-439136-AA	Trunnion, handbrake cable to lever	2	-
6	7G43-2C464-BA	Kit, handbrake caliper repl, RH	1	-
-	7G43-2C465-BA	Kit, handbrake caliper repl, LH	1	-
7	4G43-2C564-CA	Bolt, flg, M10 x 87	4	Caliper to Hub
8	4G43-2C562-BA	Pad Set, handbrake	1	(per axle)

9	694891	P-clip	5	-
10	7G43-2K605-AA	Pivot pin, handbrake cable to lever	1	-
11	6G33-100063-AA-PK	Push on fix, handbrake cable to lever	1	-
-	4G43-2B296-BA	Pin, pad retaining, 1 per caliper	2	-
-	4G43-2W065-AA	Boot, sliding pin	2	-
-	4G43-224259-BA	Spring, anti rattle	2	-
-	703163	Nut, flg, M6, P clip attach	5	-
-	703203	Screw, flg, M6 x 20	3	-
-	4G43-2273-AA	Grommet, park brake cable	1	-
-	4G43-228014-AA	Plug blanking, M8	4	Handbrake brkt rivnut blanking
-	4G43-338013-AA	Plug blanking, M6	1	Handbrake P clip rivnut blanking
-	37-84688	Switch, handbrake	1	-

DB9 Brake System

DB9
06 BRAKE SYSTEM



December 2004

060500-C3
Parking Brake- Manual RHD

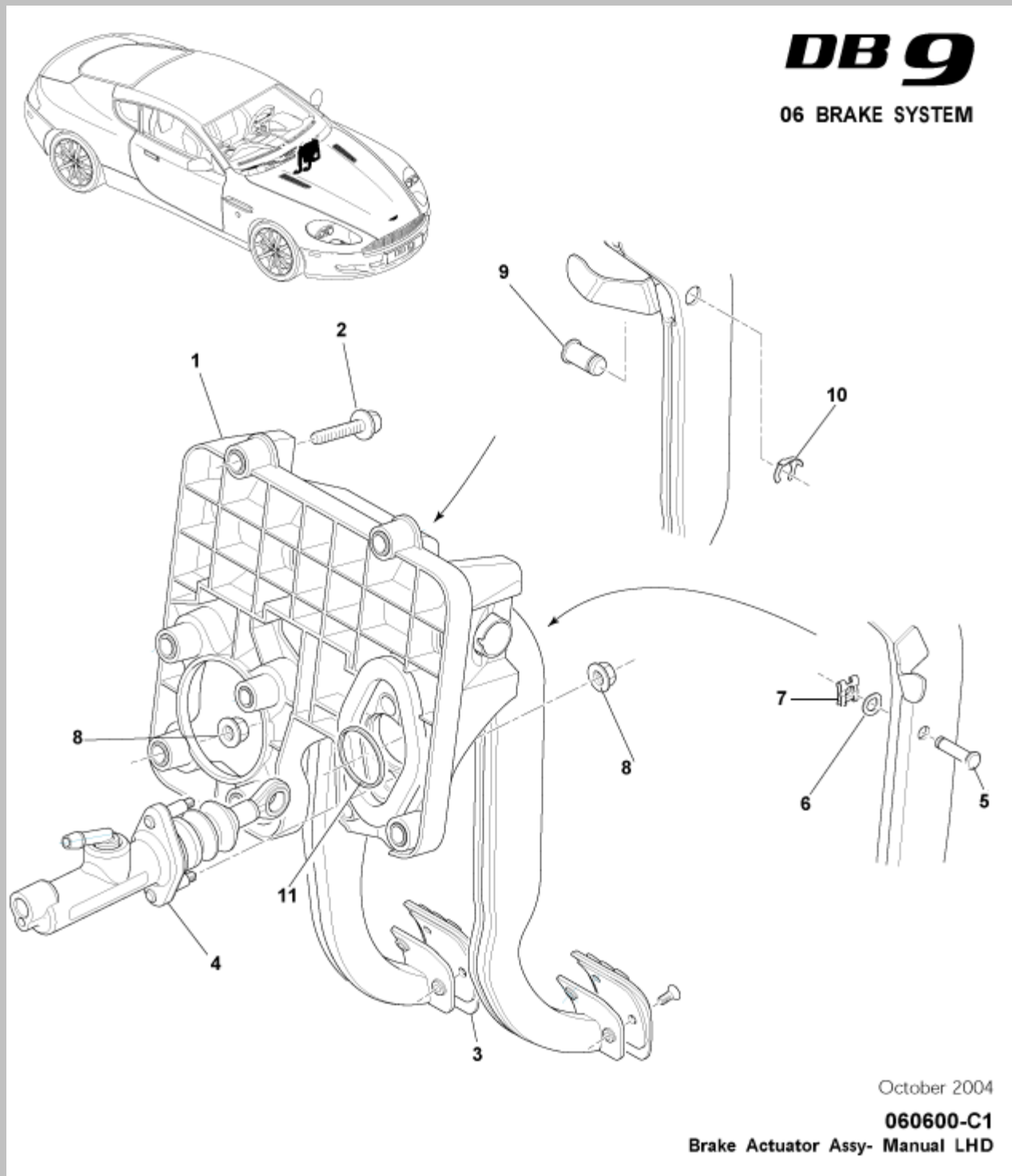
Parking Brake - Manual RHD

Item	Part Number	Description	Qty	Remarks
1	4G43-8492-BA	Handbrake Lever Assy RHD	1	-
2	703121	Screw, M8 hex flg hd	6	-
3	4G43-2A686-BB	Bracket assy RHD	1	-
4	4G43-2853-AD	Cable and conduit Assy	1	-
5	6G33-439136-AA	Trunnion, handbrake cable to lever	2	-
6	7G43-2C464-BA	Kit, handbrake caliper repl, RH	1	-
-	7G43-2C465-BA	Kit, handbrake caliper repl, LH	1	-
7	4G43-2C564-CA	Bolt, flg, M10 x 87	4	Caliper to Hub
8	4G43-2C562-BA	Pad Set, (per axle)	1	-
9	694891	P-clip	5	-
10	7G43-2K605-AA	Pivot pin, handbrake cable to lever	1	-
11	6G33-100063-AA-PK	Push on fix, handbrake cable to lever	1	-

-	4G43-2B296-BA	Pin, pad retaining, 1 per caliper	2	-
-	4G43-2W065-AA	Boot, sliding pin	2	-
-	4G43-224259-BA	Spring, anti rattle	2	-
-	703163	Nut, flg, M6, P clip attach	5	-
-	703203	Screw, flg, M6 x 20	3	-
-	4G43-2273-AA	Grommet, park brake cable	1	-
-	4G43-228014-AA	Plug blanking, M8	4	Handbrake brkt rivnut blanking
-	4G43-338013-AA	Plug blanking, M6	1	Handbrake P clip rivnut blanking
-	37-84687	Switch, handbrake	1	-

[Contents](#)

DB9 Brake System



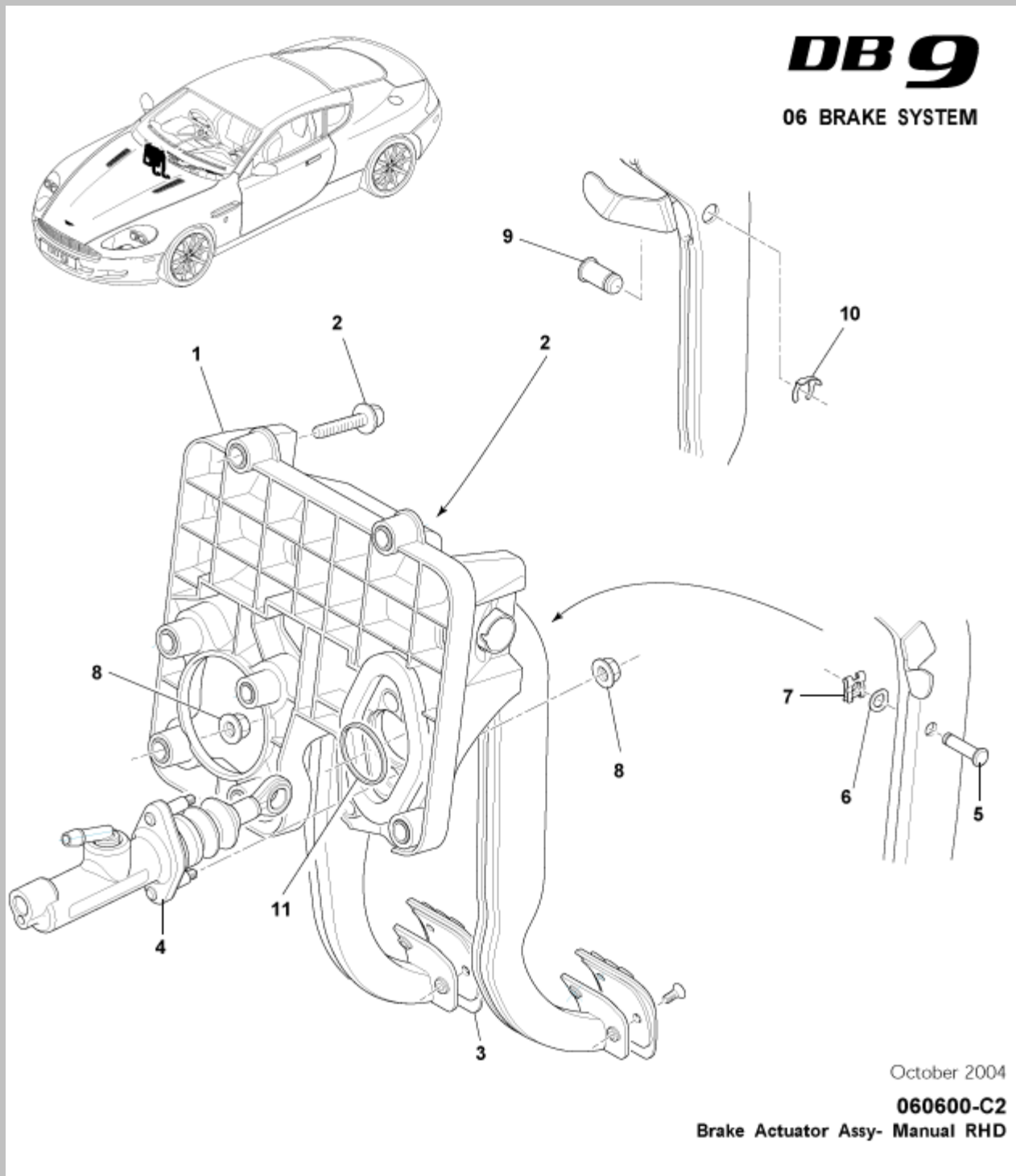
Brake Actuator Assy - Manual LHD

Item	Part Number	Description	Qty	Remarks
1	8D33-2450-AD	Pedal box assy Manual	1	LHD

2	703584	Screw, flg, M8 x 40	3	-
3	4G43-2D042-AA	Pad kit, manual brake & clutch pedal	1	-
4	4G43-7578-AA	Kit, clutch master cylinder	1	-
5	29-84879	Groove joint pin	1	-
6	703273	Washer, wave spring	1	-
7	6G33-27328-AA	Clip, safety, nom shaft, 5/16"	1	-
8	701342-PK	Nut, M8	6	-
9	29-81249	Pin pivot, master cylinder	1	-
10	29-81263	Clip, pivot pin	1	-
11	33-84098	Lip seal, master cylinder	1	-

[Contents](#)

DB9 Brake System



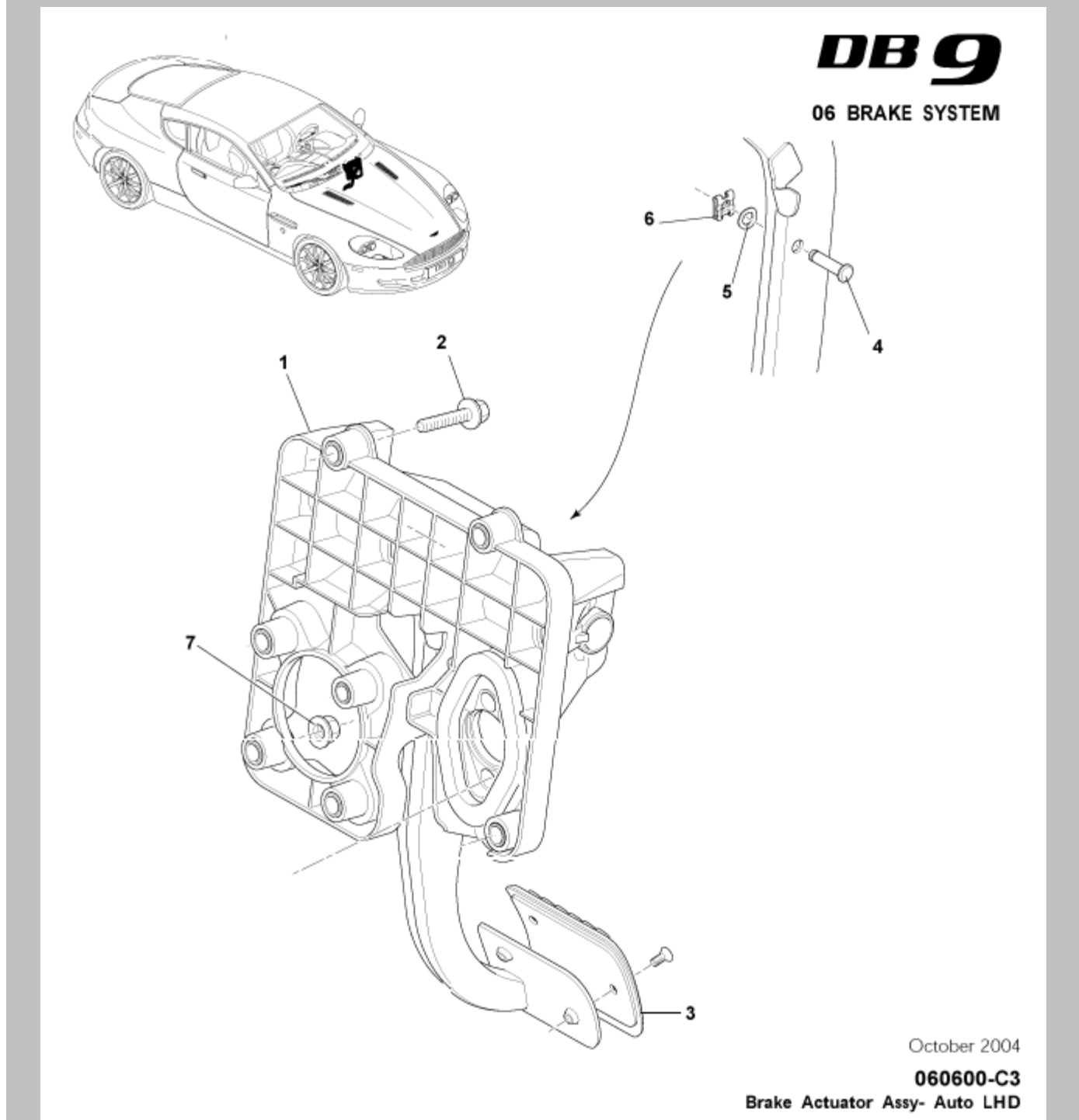
Brake Actuator Assy - Manual RHD

Item	Part Number	Description	Qty	Remarks
1	8D33-2450-CD	Pedal box Assy, manual	1	RHD

2	703584	Screw, flg, M8 x 40	3	-
3	4G43-2D042-AA	Pad kit, manual brake & clutch pedal	1	-
4	4G43-7578-AA	Kit, clutch master cylinder	1	-
5	29-84879	Groove joint pin	1	-
6	703273	Washer, wave spring	1	-
7	6G33-27328-AA	Clip, safety, nom shaft, 5/16"	1	-
8	701342-PK	Nut, M8	6	-
9	29-81249	Pin pivot, master cylinder	1	-
10	29-81263	Clip, pivot pin	1	-
11	33-84098	Lip seal, master cylinder	1	-

[Contents](#)

DB9 Brake System



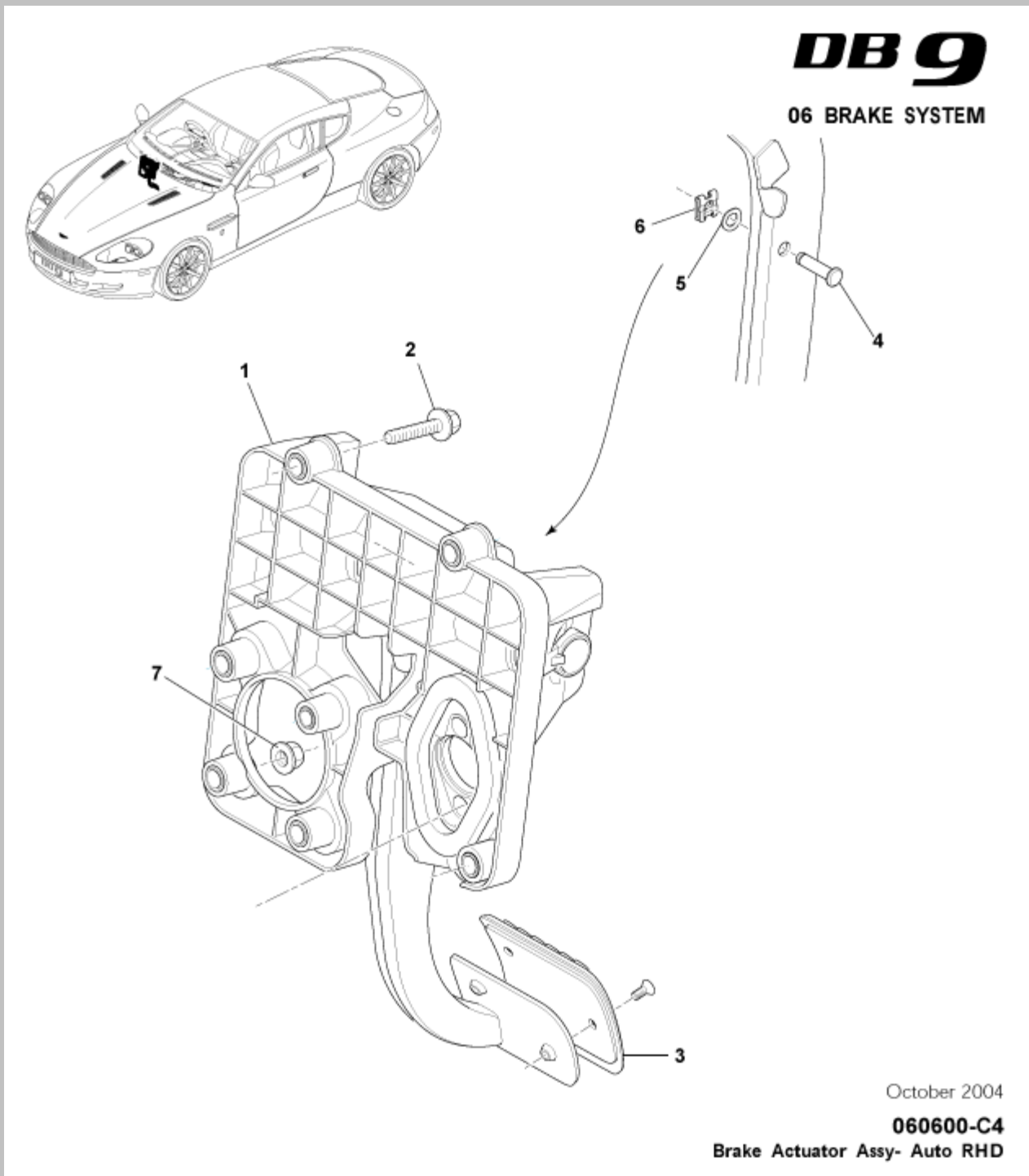
Brake Actuator Assy - Auto LHD

Item	Part Number	Description	Qty	Remarks
1	4G43-2450-BD	Pedalbox Assy ASM/SSM/AUTO	1	LHD
2	703584	Screw, flg, M8 x 40	3	-

3	4G43-2D042-BA	Pad kit, auto brake pedal	1	-
4	29-84879	Groove joint pin	1	-
5	703273	Washer, wave spring	1	-
6	6G33-27328-AA	Clip, safety, nom shaft, 5/16"	1	-
7	701342	Nut, M8	6	-

[Contents](#)

DB9 Brake System



October 2004

060600-C4

Brake Actuator Assy- Auto RHD

Brake Actuator Assy - Auto RHD

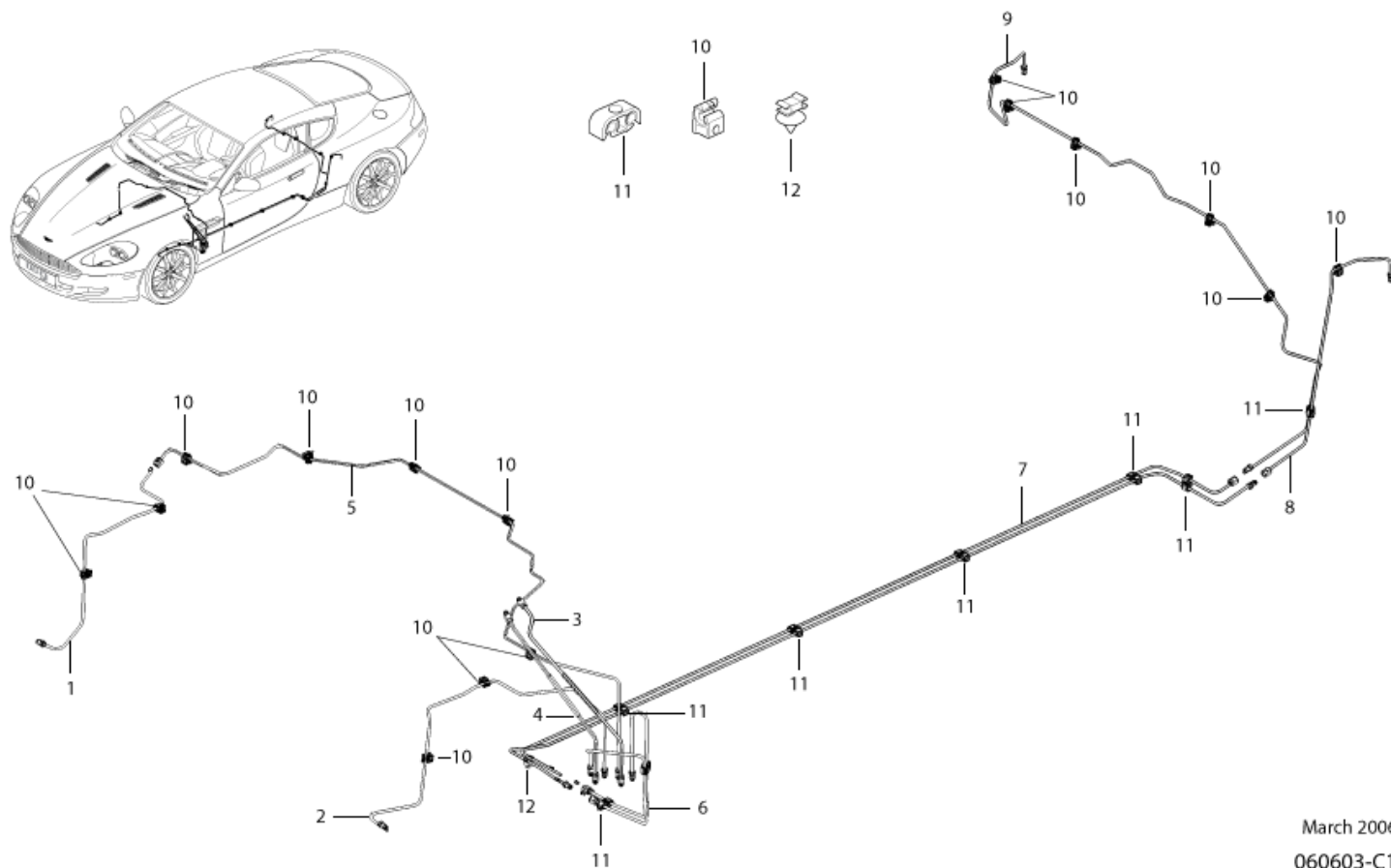
Item	Part Number	Description	Qty	Remarks
1	4G43-2450-DE	Pedalbox Assy ASM/SSM/AUTO	1	RHD
2	703584	Screw, flg, M8 x 40	3	-

3	4G43-2D042-BA	Pad kit, auto brake pedal	1	-
4	29-84879	Groove joint pin	1	-
5	703273	Washer, wave spring	1	-
6	6G33-27328-AA	Clip, safety, nom shaft, 5/16"	1	-
7	701342	Nut, M8	6	-

[Contents](#)

DB9 - BRAKING SYSTEM

DB9
06 BRAKE SYSTEM



March 2006
060603-C1
Brake Tube & Hose Assy- LHD

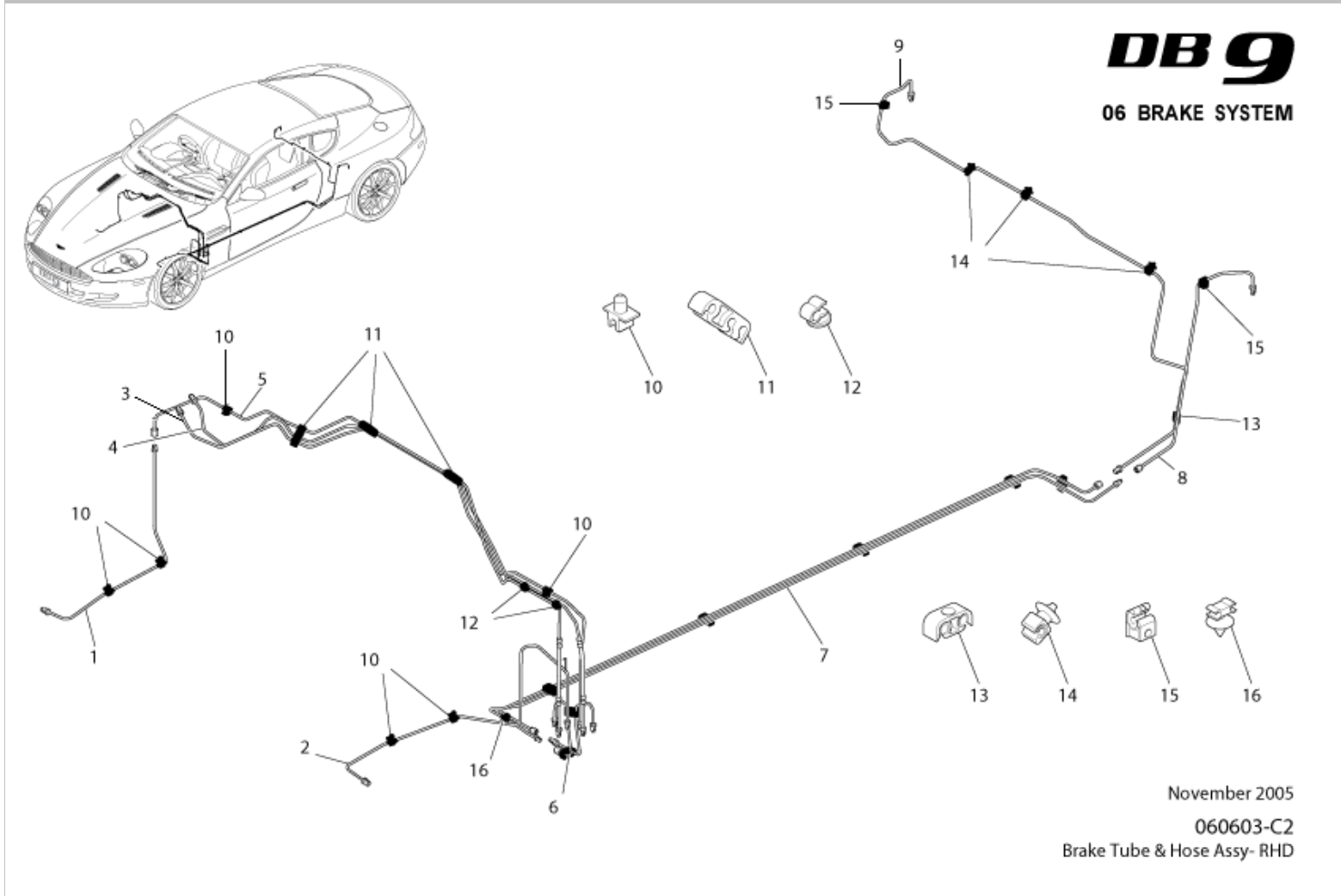
Brake Tube & Hose Assy - LHD

Item	Part Number	Description	Qty	Remarks
1	4G43-2263-AD	Hose assy, front RH caliper	1	-
2	4G43-2264-AB	Hose assy, front LH caliper	1	-
3	4G43-2M020-AC	Master Cylinder to Mod, LHD	1	Secondary
4	4G43-2M019-AB	Master Cylinder to Mod, LHD	1	Primary
5	4G43-2263-BD	Tube assy, front wheel brake	1	LHD only
6	6G33-2A478-AB	Tube, rear wheel brake assy	1	-
7	4G43-2A478-BD	Tube assy, to rear wheel brake	1	-
8	4G43-2268-CC	Tube assy, rear brake, LH caliper	1	-
9	4G43-2267-CE	Tube assy, rear brake, RH caliper	1	-
10	4G43-79124-AA	Brake pipe clip, single	14	-
-	8D33-ANR1864-AA	Brake pipe clip, single	4	-

11	4G43-79125-AA	Brake pipe clip, double	7	-
12	4G43-ANR5999-AA	Double push clip	1	-
-	4G43-ADU8846-AA	Brake pipe clip, triple	3	-
-	4G43-ADU6075L-AA	Brake pipe clip, double	2	-

[Contents](#)

DB9 - BRAKING SYSTEM



November 2005

060603-C2

Brake Tube & Hose Assy- RHD

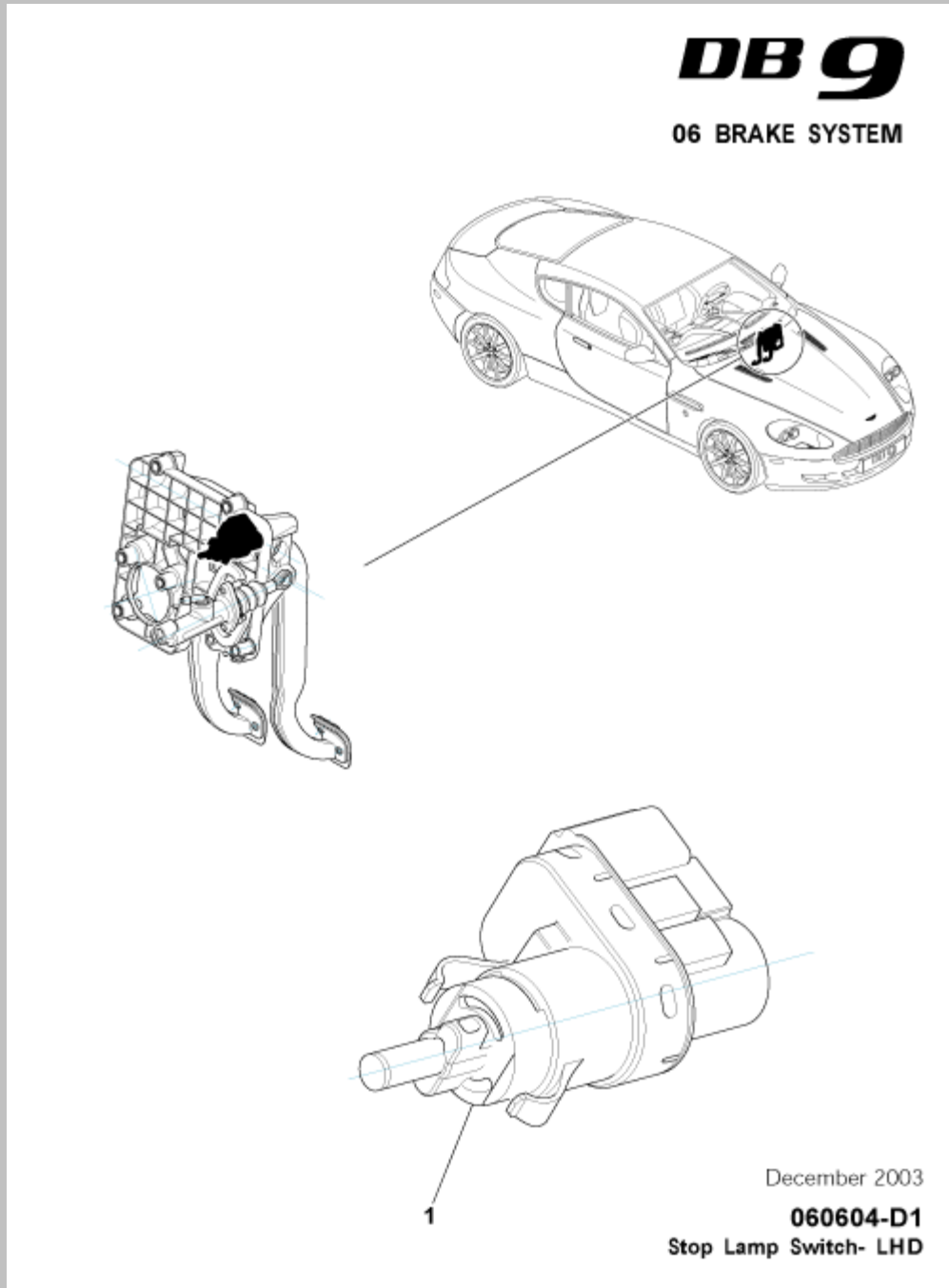
Brake Tube & Hose Assy - RHD

Item	Part Number	Description	Qty	Remarks
1	4G43-2263-AD	Hose assy, front RH caliper	1	-
2	4G43-2264-AB	Hose assy, front LH caliper	1	-
-	4G43-2M022-AB	Hose assy, modulator to Master Cylinder	1	-
3	4G43-2M020-BB	Master Cylinder to Mod RHD	1	Secondary
4	4G43-2M019-BB	Master Cylinder to Mod RHD	1	Primary
5	4G43-2263-CD	Tube assy, front wheel brake	1	RHD only
6	6G33-2A478-AB	Tube assy, rear wheel brake	1	-
7	4G43-2A478-BD	Tube assy, to rear wheel brake	1	-
8	4G43-2268-CC	Tube assy, rear brake LH caliper	1	-
9	4G43-2267-CE	Tube assy, rear brake RH caliper	1	-
10	8D33-ANR1864-AA	Brake pipe clip	6	-

11	4G43-ADU8846-AA	Brake pipe clip, treble	3	-
12	4G43-ADU6075L-AA	Brake pipe clip, double	2	-
13	4G43-79125-AA	Brake pipe clip, double	8	-
14	4G43-ANR3168-AA	Brake pipe clip, single	3	-
15	4G43-79124-AA	Brake pipe clip, single	5	-
16	4G43-ANR5999-AA	Double push clip	1	-

[Contents](#)

DB9 Brake System

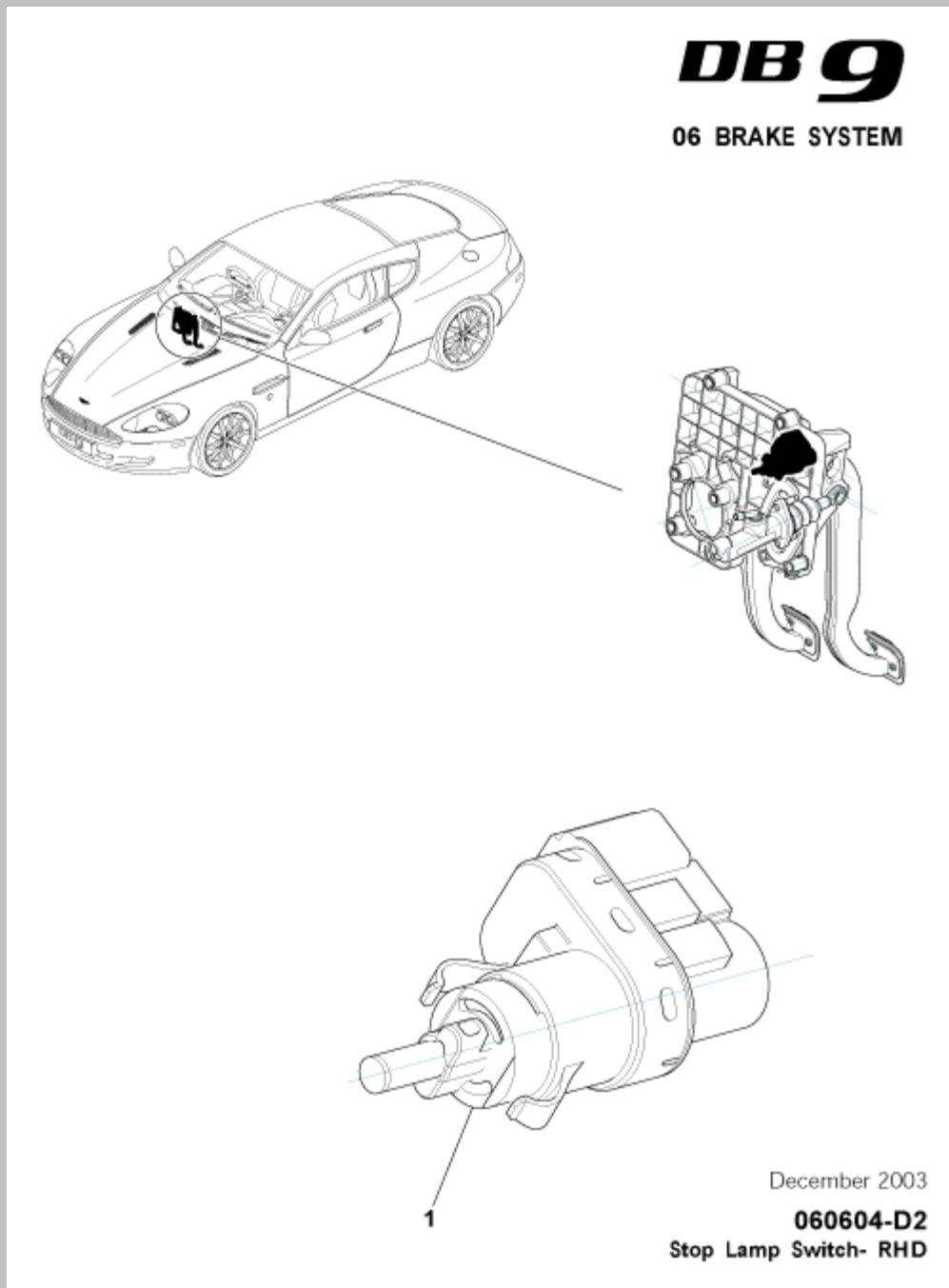


Stop Lamp Switch - LHD

Item	Part Number	Description	Qty	Remarks
1	4G43-37-10037	Switch, Stop Lamp	1	-

[Contents](#)

DB9 Brake System

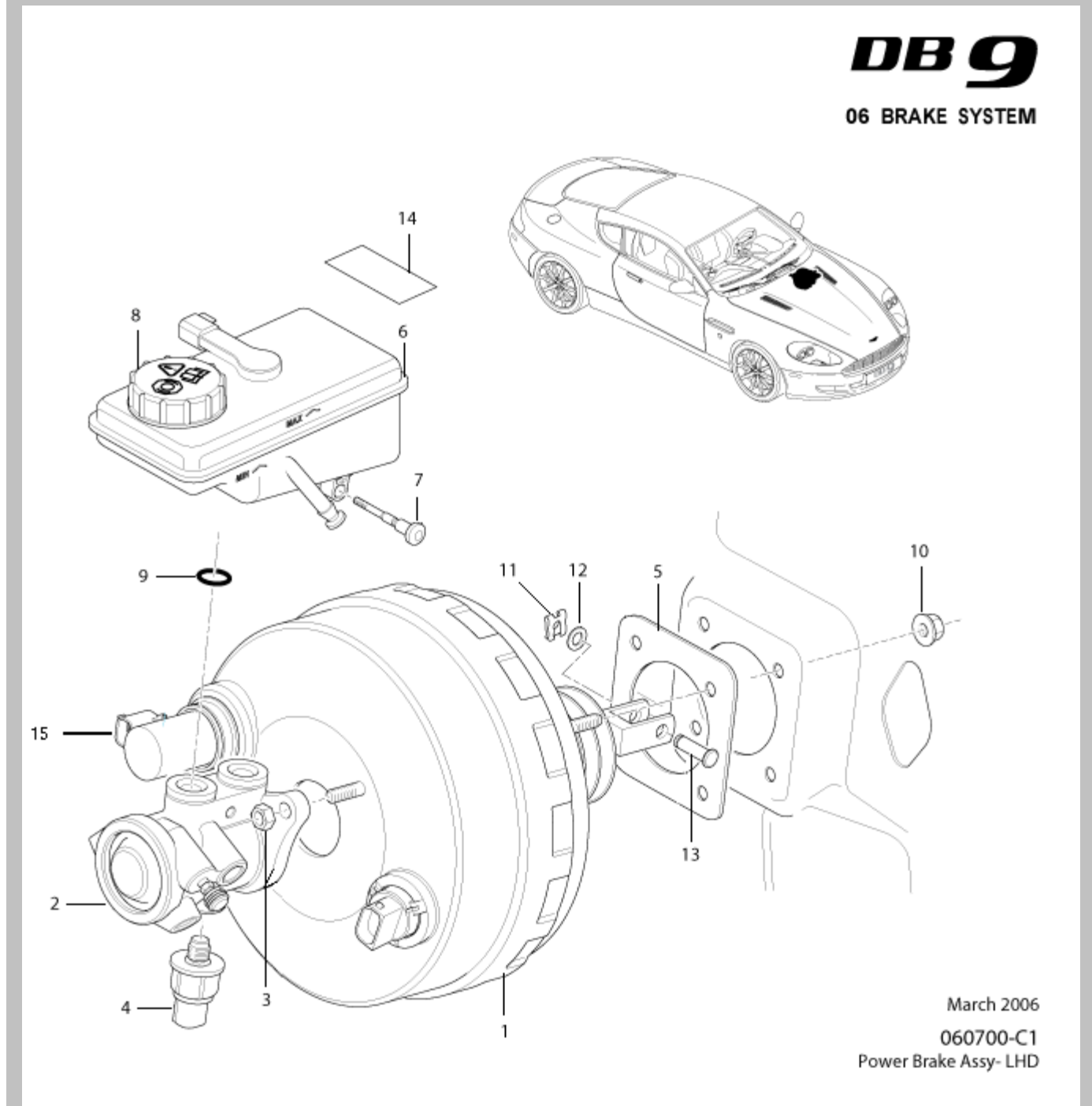


Stop Lamp Switch - RHD

Item	Part Number	Description	Qty	Remarks
1	4G43-37-10037	Switch, Stop Lamp	1	-

[Contents](#)

DB9 - BRAKING SYSTEM



Power Brake Assy - LHD

Item	Part Number	Description	Qty	Remarks
-	4G43-2B195-BB	Master Cylinder & vacuum booster	1	-
1	4G43-2005-BB	Kit, booster assy	1	-

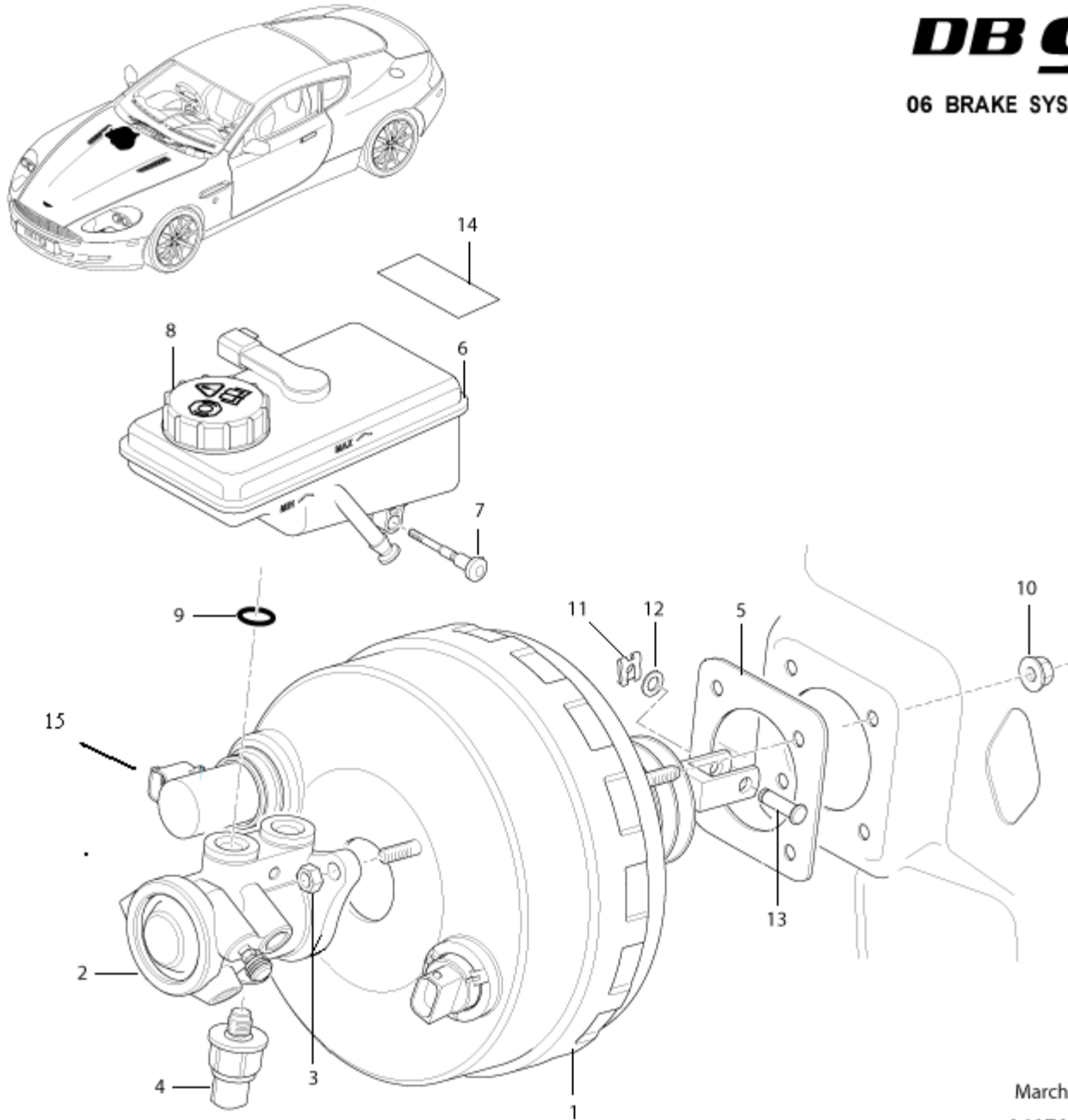
2	4G43-33-10211	Kit, Master Cylinder assy	1	-
3	703978	Nut, lock, M8	2	Master Cylinder to Booster
4	4G43-33-10214	Transducer, pressure	1	-
5	NSS	Gasket, booster to body	1	-
6	4G43-33-10212	Kit, reservoir and plug	1	-
7	4G43-33-10216	Screw, reservoir retainer	1	-
8	4G43-33-10213	Cap, reservoir	1	-
9	4G43-33-10215	Seal, Reservoir to Master Cylinder	2	-
10	701342	Nut, M8	4	-
11	6G33-27328-AA	Clip, safety, nom shaft 5/16"	1	-
12	703273	Washer, wave spring	1	-
13	29-84879	Pin, joint	1	-
14		Label, brake Master Cylinder	1	See 200002 Underbonnet Labels
-	700781	Brake fluid, super dot 4	A/R	-
-		Heat shield, brake booster	1	See 020600-C1 Heat shields
15	9G43-33-11077	Pedal Travel sensor kit	1	-

[Contents](#)

DB9 - BRAKING SYSTEM

DB9

06 BRAKE SYSTEM



March 2006
060700-C2
Power Brake Assy- RHD

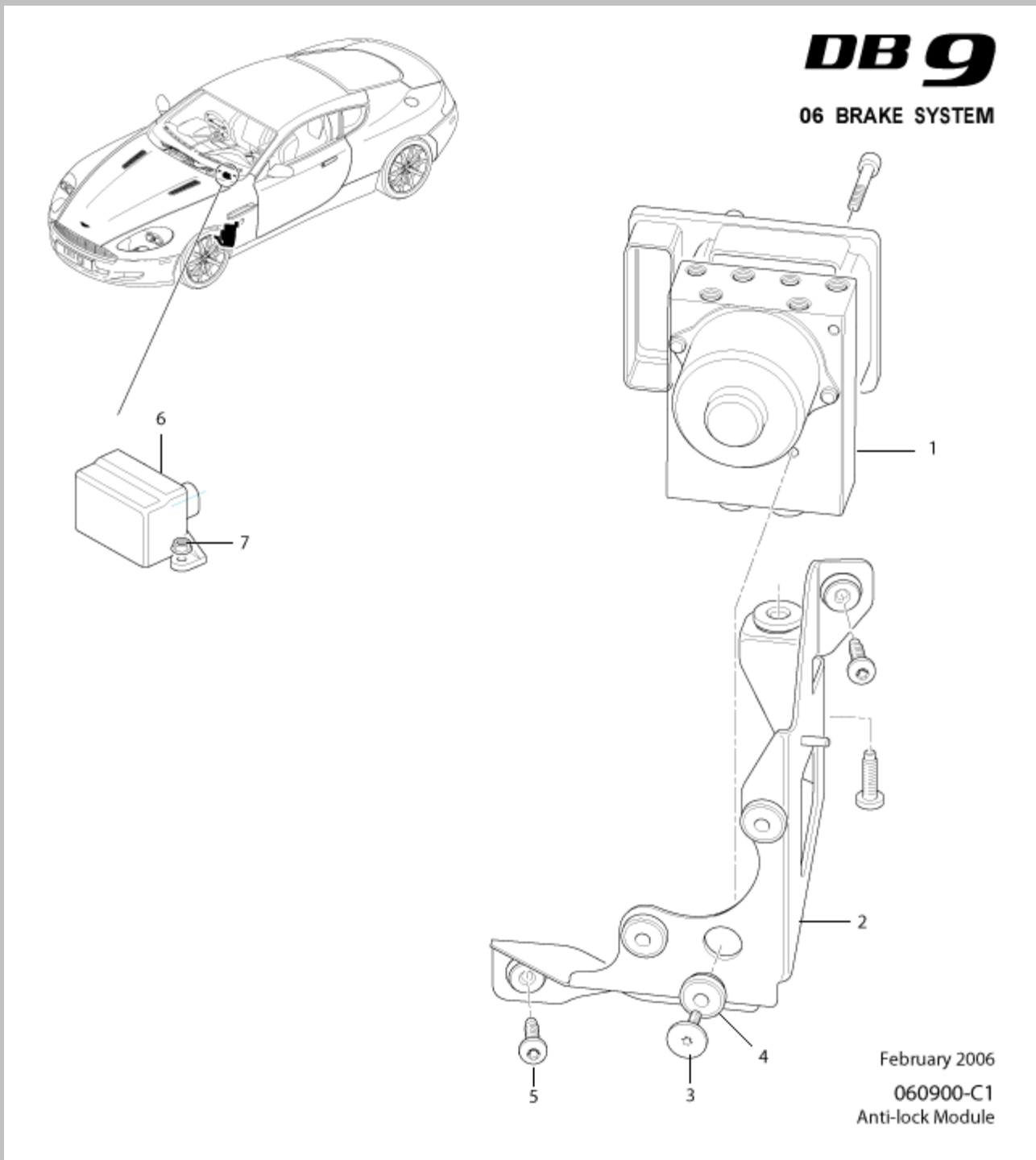
Power Brake Assy - RHD

Item	Part Number	Description	Qty	Remarks
-	4G43-2B195-BB	Master Cylinder and vacuum booster	1	-

1	4G43-2005-BB	Kit, booster assy	1	-
2	4G43-33-10211	Kit, Master Cylinder assy	1	-
3	703978	Nut, lock, M8	2	Master Cylinder to Booster
4	4G43-33-10214	Transducer, pressure	1	-
5	NSS	Gasket, booster to body	1	-
6	4G43-33-10212	Kit, reservoir and plug	1	-
7	4G43-33-10216	Screw, reservoir retainer	1	-
8	4G43-33-10213	Cap, reservoir	1	-
9	4G43-33-10215	Seal, Reservoir to Master Cylinder	2	-
10	701342	Nut, M8	4	-
11	6G33-27328-AA	Clip, safety, nom shaft 5/16"	1	-
12	703273	Washer, wave spring	1	-
13	29-84879	Pin, joint	1	-
14		Label, brake Master Cylinder	1	See 200002 Underbonnet Labels
-	700781	Brake fluid, super dot 4	A/R	-
-		Heat shield, brake booster	1	See 020600-C2 Heat shields
15	9G43-33-11077	Pedal Travel sensor kit	1	-

[Contents](#)

DB9 - BRAKING SYSTEM



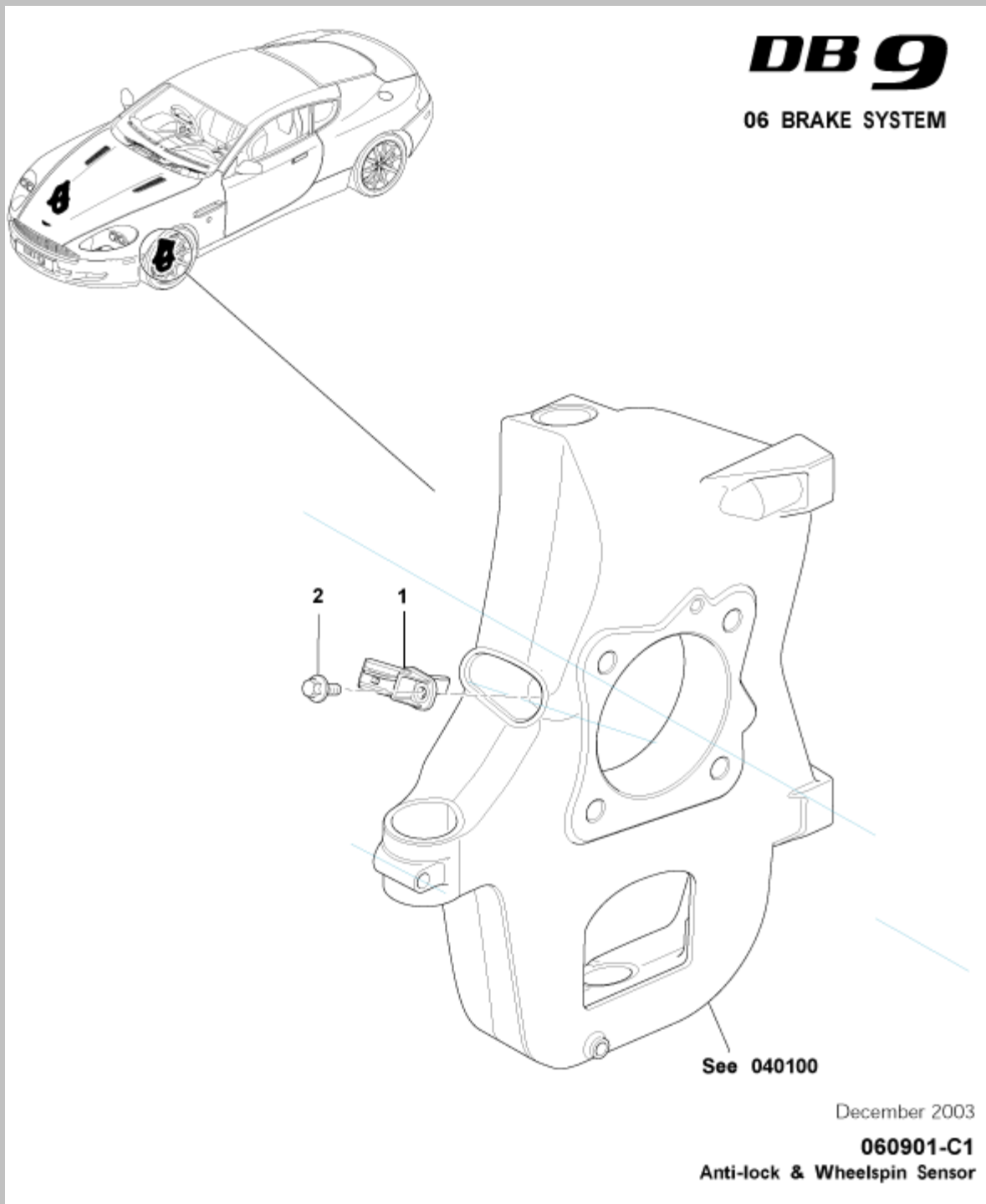
Anti-Lock Module

Item	Part Number	Description	Qty	Remarks
1	6G33-2C405-AB	Modulator, ABS/TC/IVD	1	-
2	6G33-2C213-AA	Bracket, modulator	1	-

3	701343	Screw, shoulder, M6 x 36	3	-
4	NSS	Isolator grommet	3	-
5	703585	Screw, M8 x 25 pan head	4	-
6	4G43-90-10897	Sensor, yaw rate	1	-
7	703164	Nut, flg, M6, yaw rate sensor to tnl	2	-

[Contents](#)

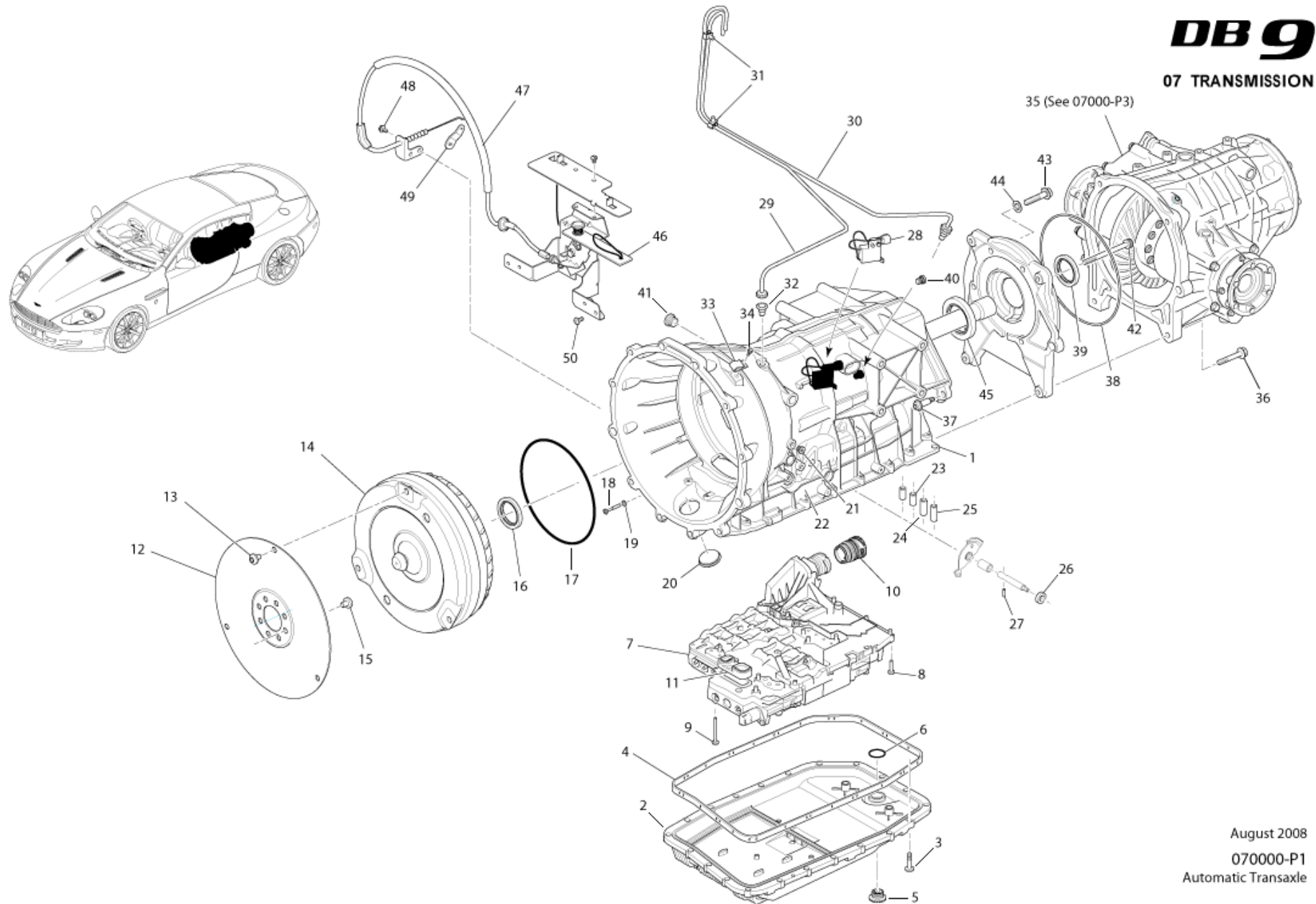
DB9 Brake System



Anti-lock & Wheelspin Sensor

Item	Part Number	Description	Qty	Remarks
1	4G43-90-10039	Anti-lock and wheelspin sensor	4	-
2	4G43-13D026-BA	Screw, M5 X 12	4	-





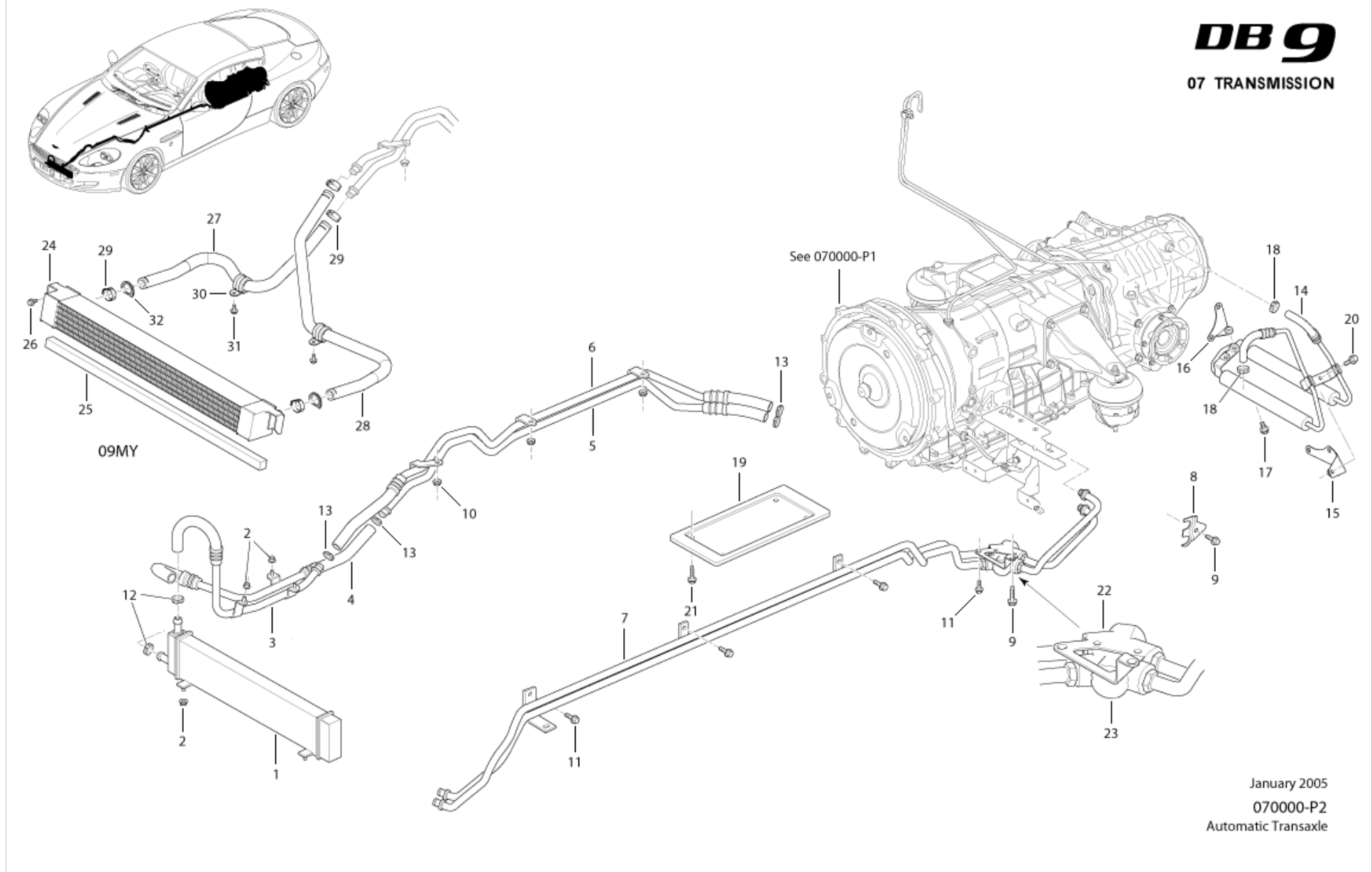
August 2008
07000-P1
Automatic Transaxle

Item	Part Number	Description	Qty	Remarks
1	091725	Transmission unit, auto, 05MY-08MY, remanned	1	Incl item 14 torque conv Item 42 must also be ordered
-	8G43-70041-AD	Transmission unit, auto, 09MYon	1	Incl item 14 torque conv Item 42 must also be ordered
-	4G43-42-10272	Housing, auto gearbox	1	-
2	4G43-42-10273	Oil pan	1	-
3	4G43-42-10274	Screw, torx head, Oil pan housing	21	-
4	4G43-184391-AA	Seal, Trans Pump	1	-
5	4G43-42-10277	Plug, oil pan	1	-
6	4G43-7D741-AA	O Ring, Transmission Pump	1	-
7	4G43-42-10344	Mechtronic unit/ TCM	1	-
-	8G43-14C247-AA	Transmission Control Module	1	- 09MY
8	4G43-807199-DA	Screw, M6 x 20 torx	3	-
9	4G43-807199-CA	Screw, M6 x 59 torx	7	-
10	4G43-7F183-AA	Guide sleeve	1	-
11	4G43-7H586-AA	Adaptor, Auto Transmission Mech	1	-
13	4G43-HYG10549-AA	Screw M10 x 13 pan head	3	Flex plate to converter
14	4G43-42-10280	Torque converter	1	-
15	4G43-HYG10549-AA	Screw M10 x 13 pan head	8	Flex plate to crankshaft
16	4G43-7A238-AA	Seal, Transmission Input Shaft	1	-
17	4G43-184335-AA	O Ring, Transmission HSG	1	-
18	4G43-807199-BA	Screw, M6 x 50 torx	13	-
19	4G43-7L015-AA	Washer, Transmission HSG	13	-
20	4G43-42-10021	Plug, torque converter access	1	-
21	4G43-42-10276	Screw plug	1	-
22	4G43-37521-BA	Plug, Blank double	1	-
23	4G43-29401-AA	Sleeve, Seal 25.90	2	-
24	4G43-29401-BA	Sleeve, Seal 31.40	2	-
25	4G43-29401-CA	Sleeve, Seal 40.70	2	-
26	4G43-7Z036-AA	Seal, transmission selector shift	1	-
27	4G43-7Z309-AC	Pin, transmission selector shift	1	-
28	4G43-37-10250	RFI Capacitor	1	-
-	4G43-18801-AB	Mounting plate, RFI capacitor	1	-
-	700250	Screw, M6 x 16 cap attach	2	-
-	703265	Screw, M6 x 16 cap attach	2	-
29	4G43-7A245-AA	Hose, breather	1	Auto Transmission
30	4G43-7A245-BA	Hose, breather	1	Auto Differential

31	701565	Clip, auto trans/diff breather pipes	2	-
32	4G43-7179-AA	Plug, Trans breather	1	-
33	4G43-2860-AB	Clip	1	Park brake cable
34	700606	Screw, flg, M6 x 12, clip attach	1	-
35		See 070000-P2, Differential, auto	1	-
36	703183	Bolt, flg, M10 x 45, differential to transmission	4	-
37	703182	Bolt, flg, M10 x 65	1	-
38	4G43-7J271-AB	O ring	1	Transmission adaptor plate
39	4G43-42-10979	Seal, output shaft (60 x 44 x 7mm)	1	-
40	4G43-42-10278	Screw plug	1	-
41	4G43-42-10279	Screw plug	1	-
42	4G43-9912553-AA	Capscrew, M8 x 80, output shaft	1	Must be ordered with new transmission
43	4G43-42-10977	Screw M10x50, adaptor plate	5	-
44	4G43-42-10978	Usit ring	5	-
45	4G43-42-10267	Seal, output shaft (72 x 44 x 8mm)	1	-
46	4G43-7J168-AC	Bracket assy, transmission park	1	-
-	8G43-7J168-AC	Bracket assy, transmission park	1	08MY
-	9D33-7J168-CB	Bracket assy, transmission park	1	09MY
47	4G43-7J167-AC	Cable assy	1	-
-	9D33-7J167-CA	Cable assy	1	09MY
48	700606	Screw, flg, M6 x 12	2	-
49	4G43-7A257-AB	Lever arm, auto transmission	1	-
50	703149	Screw, M6 x 10, bracket attach	4	-
-	4G43-19A509-AA/S	Fluid, auto transmission, 1lt	A/R	-
-	4G43-6W366-AD	Drive damper assy	1	-
-	700036	Bolt, M8 x 25 dr damper to flywheel	1	-

[Contents](#)

DB9 - TRANSMISSION SYSTEM



Automatic Transaxle

Item	Part Number	Description	Qty	Remarks
------	-------------	-------------	-----	---------

-	4G43-31-10938	KT - Kit, oil cooler and pipes - Contains items marked KT	1	upto VIN 05542
-	4G43-31-11060	KT2 - Kit, pipes only- Contains items marked KT2	1	from VIN 05543 to 09783
1	4G43-445396-BC	Oil cooler, auto transmission (17.75mm dia stub pipes Standard Din),KT2 Required	1	Up to (V) 09783
-	7G43-445396-AA	Oil cooler, auto transmission (16mm dia stub pipes Standard Din), KT Required	1	From (V) 09784 KT
2	W705277-S440	Nut, M6 & Washer	8	-
3	4G43-7F120-CB	Pipe, air/oil cooler inlet	1	Up to (V) 09783
-	7G43-7F120-BA	Pipe, air/oil cooler inlet	1	From (V) 09784 KT
-	4G43-7F120-DA	Pipe, air/oil cooler inlet	1	From (V) 005543 to 09783 KT2
4	4G43-7F120-BC	Pipe, air/oil cooler outlet	1	Up to (V) 09783
-	7G43-7F120-AA	Pipe, air/oil cooler outlet	1	From (V) 09784 KT
-	4G43-7F120-EA	Pipe, air/oil cooler outlet	1	From (V) 05543 to 09783 KT2
5	4G43-7W093-CC	Pipe, engine bay	1	Up to (V) 09783
-	9G43-7W093-BA	Pipe, engine bay	1	From (V) 09784 KT & KT2
6	4G43-7W093-BD	Pipe, engine bay	1	Up to (V) 09783
-	7G43-7W093-AA	Pipe, engine bay	1	From (V) 09784 KT & KT2
7	4G43-321363-AC	Pipe assy, transmission oil cooler, incl item 23 4G43-6L635-AA Thermostat	1	Up to (V) 09783
-	9G43-321363-AA	Pipe assy, transmission oil cooler, incl item 23 4G43-6L635-AA Thermostat	1	From (V) 09784
8	2W93-7B147-AC	Clamp plate, oil cooler pipes	1	-
9	701612	Bolt, M8 x 16	2	07MY
-	703189	Bolt, M8 x 16	2	08MY From (V) 09110
10	701170	Nut, flg, M6	3	07MY
-	702944	Nut, flg, M6	3	08MY From (V) 09110
11	701179	Screw, flg, M6 x 12	4	07MY
-	700606	Screw, flg, M6 x 12	4	08MY From (V) 09110
12	699545	Hose clamp, oil hose to cooler	2	-
12	702858	Hose clamp, oil hose to cooler	2	KT2
13	699765	Hose clamp, oil hose to oil pipe	4	KT & KT2
14	4G43-7869-AA	Cooler and bracket assy, trans oil	1	-
15	4G43-7B142-AA	Bracket, trans oil cooler mounting	1	-
16	4G43-7B142-BA	Bracket, trans oil cooler mounting	1	-
17	700250	Screw, M6 x 16, bracket to cooler	2	07MY
-	703265	Screw, M6 x 16, bracket to cooler	2	08MY From (V) 09110
18	699547	Hose clamp, oil hose to differential	2	-

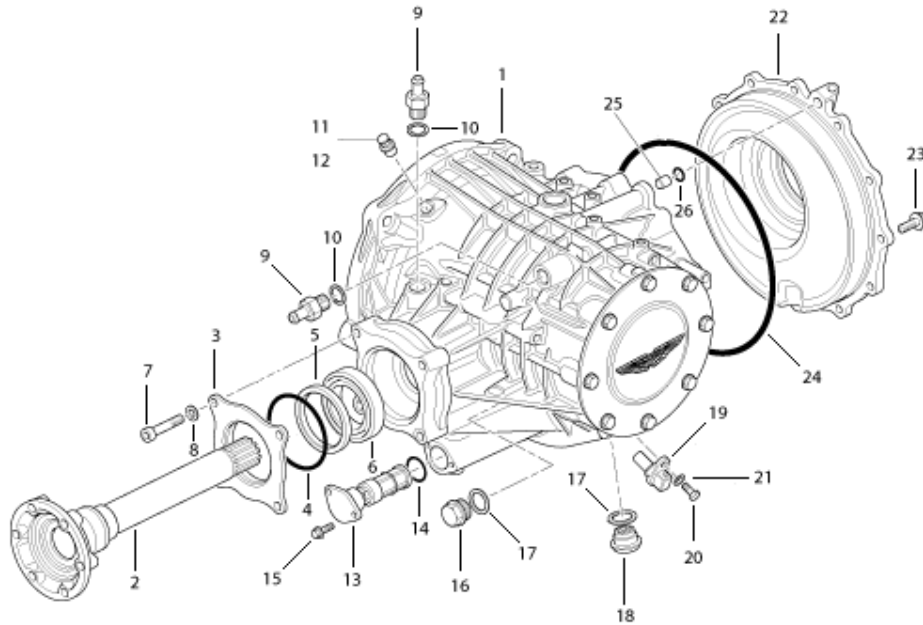
19	4G43-7C309-CA	Plate, gear shift cover	1	-
20	700250	Screw, M6 x 16	2	07MY
-	703265	Screw, M6 x 16	2	08MY From (V) 09110
21	W505764-S440	Screw, M8 x 25	4	-
22	4G43-6A626-AA	Bracket, oil pipe	1	-
23	4G43-6L635-AA	Thermostat, auto trans oil control	1	-
24	9G43-445396-AA	Oil cooler, auto transmission	1	09MY From (V)?
25	MJA4212-AA	Seal, radiator lower	1	09MY
26	W500013-S	Screw, M6 x 16 hex flg head	4	09MY Oil cooler, auto trans
27	9G43-7F120-AA	Hose, air/ oil cooler outlet	1	09MY
28	9G43-7F120-BA	Hose, air/ oil cooler inlet	1	09MY
29	9G43-8777-CA	Clamp, hose oetiker	2	09MY
30	9G43-7F120-AA	P-Clip, 24 x 20mm	2	09MY
31	W500013-S	Screw, M6 x 16 hex flg head	2	09MY Inlet/ outlet hoses
32	9G43-7R041-AA	Grommet, oil cooler hose support	2	09MY

[Contents](#)

DB9 - TRANSMISSION SYSTEM

DB9

07 TRANSMISSION



May 2007
 070000-P3
 Automatic Transaxle

Automatic Transaxle

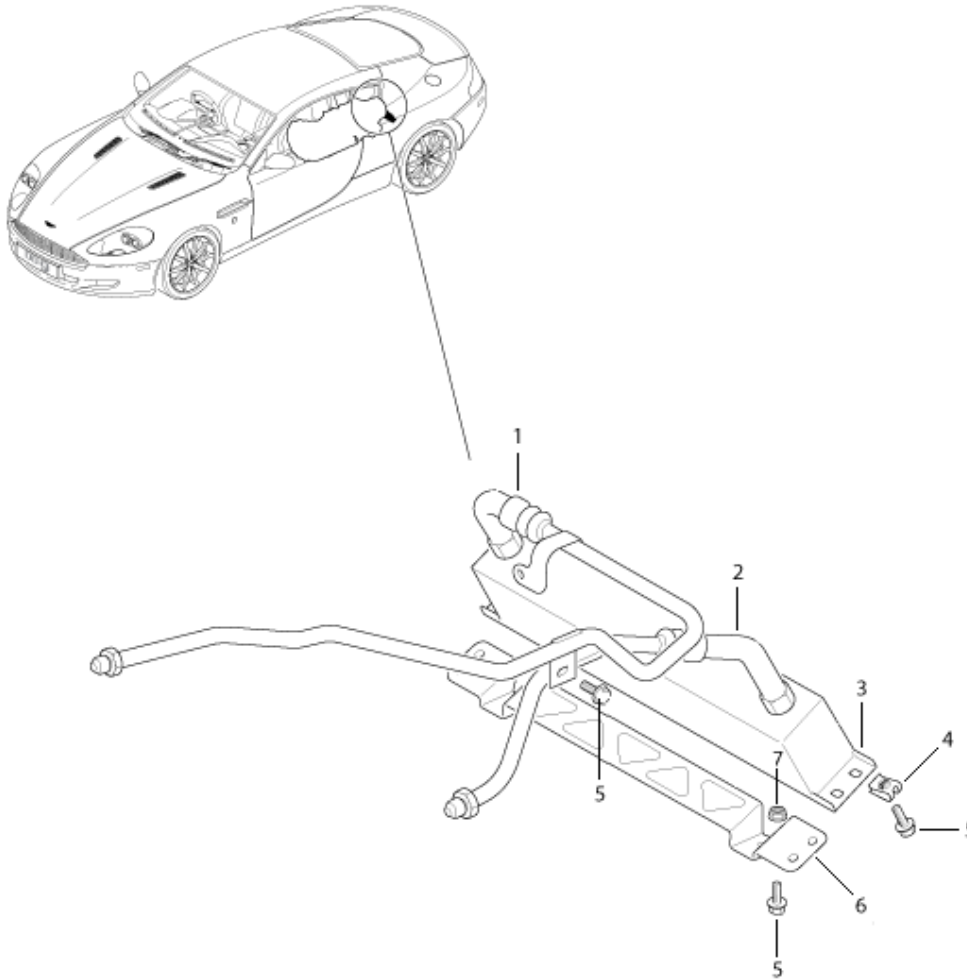
Item	Part Number	Description	Qty	Remarks
1	4G43-4200-AB	Differential assy, rear- complete, auto	1	-
2	4G43-27-10480	Output shaft, left side differential	1	-
-	4G43-27-10480	Output shaft, right side differential	1	-
3	4G43-27-10481	Cover, output shaft, differential	1	-
4	4G43-27-10482	'O' Ring, 2.62 x 75.87	1	-
-	4G43-27-11055	'O' Ring, 2.62 x 94.92	1	-
5	4G43-27-10483	Seal, lip, LH output, 55 x 72 x 8	1	-

-	4G43-27-10604	Seal, lip, RH output, 55 x 70 x 8	1	-
6	4G43-27-10484	Ball bearing 50 x 80 x 16	1	-
7	4G43-27-10485	Screw, M8 x 1.25 x 30	4	-
8	4G43-27-10486	Washer, elastic curve	4	-
9	4G43-27-10494	Connector	2	-
10	4G43-27-10487	Gasket, flat 16 x 22	2	-
11	4G43-27-10488	Breather	1	-
12	4G43-27-10489	Plug, breather	1	-
13	4G43-27-10490	Filter, oil	1	-
14	4G43-27-10491	'O' ring, 2.62 x 20.63	1	-
15	4G43-27-10492	Screw, M5 x 0.8 x 12	2	-
16	4G43-27-10493	Plug, oil level M22 x 1.5	1	-
17	4G43-27-10245	Seal, flat 22 x 28 x 1.5	2	-
18	4G43-27-10244	Drain plug	1	-
19	4G43-27-10495	Speed sensor	1	-
20	4G43-27-10496	Screw, M6 x 16	1	-
21	4G43-27-10497	Washer, elastic	1	-
22	4G43-27-10498	Cover, differential Assy	1	-
23	4G43-27-10499	Screw, M8 x 1.25 x 25	12	-
24	4G43-27-10500	'O' ring 3.53 x 228.19	1	-
25	4G43-27-10501	Dowel	1	-
26	4G43-27-10502	'O' ring 2.62 x 9.92	1	-
-	704349-PK	Differential fluid, auto, Shell Spirax	A/R	-12 x 1 litre

[Contents](#)

DB9 - TRANSMISSION SYSTEM

DB9
07 TRANSMISSION



March 2007
070200-R1
Transaxle Cooling, MANUAL

Transaxle Cooling, MANUAL

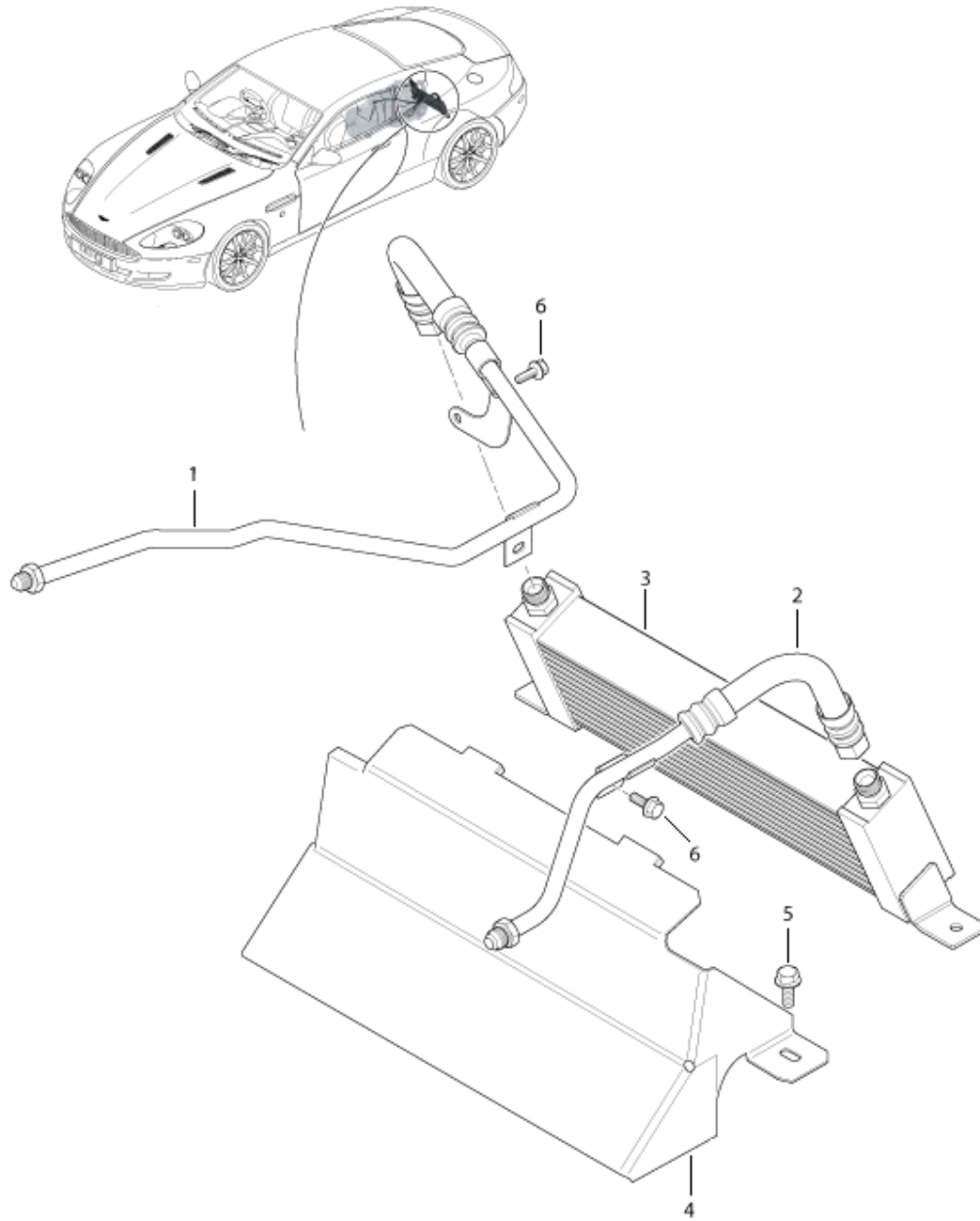
Item	Part Number	Description	Qty	Remarks
1	4G43-7H255-DC	Hose, transmission oil inlet	1	07MY
-	8D33-7H255-BA	Hose, transmission oil inlet	1	08MY From (V) A09110
2	4G43-7H256-CC	Hose, transmission oil outlet	1	07MY
-	8D33-7H256-BB	Hose, transmission oil outlet	1	08MY From (V) A09110

3	4G43-7K177-CB	Matrix, oil cooler, manual transmission	1	07MY
-	8D33-7K177-CA	Matrix, oil cooler, manual transmission	1	08MY From (V) A09110
4	699736	Clip	4	-
5	700211	Screw, M6 x 14	8	07MY
-	703264	Screw, M6 x 14	8	08MY From (V) A09110
6	4G43-6K743-AC	Bracket, oil cooler mounting	1	-
7	701170	Nut, flg, M6	2	07MY
-	702944	Nut, flg, M6	2	08MY From (V) A09110
-	6G43-445396-AA	Oil cooler	1	Extreme cooling pack

[Contents](#)

DB9 - TRANSMISSION SYSTEM

DB9
07 TRANSMISSION



March 2008
070200-R2
Transaxle Cooling, MANUAL, 09MY

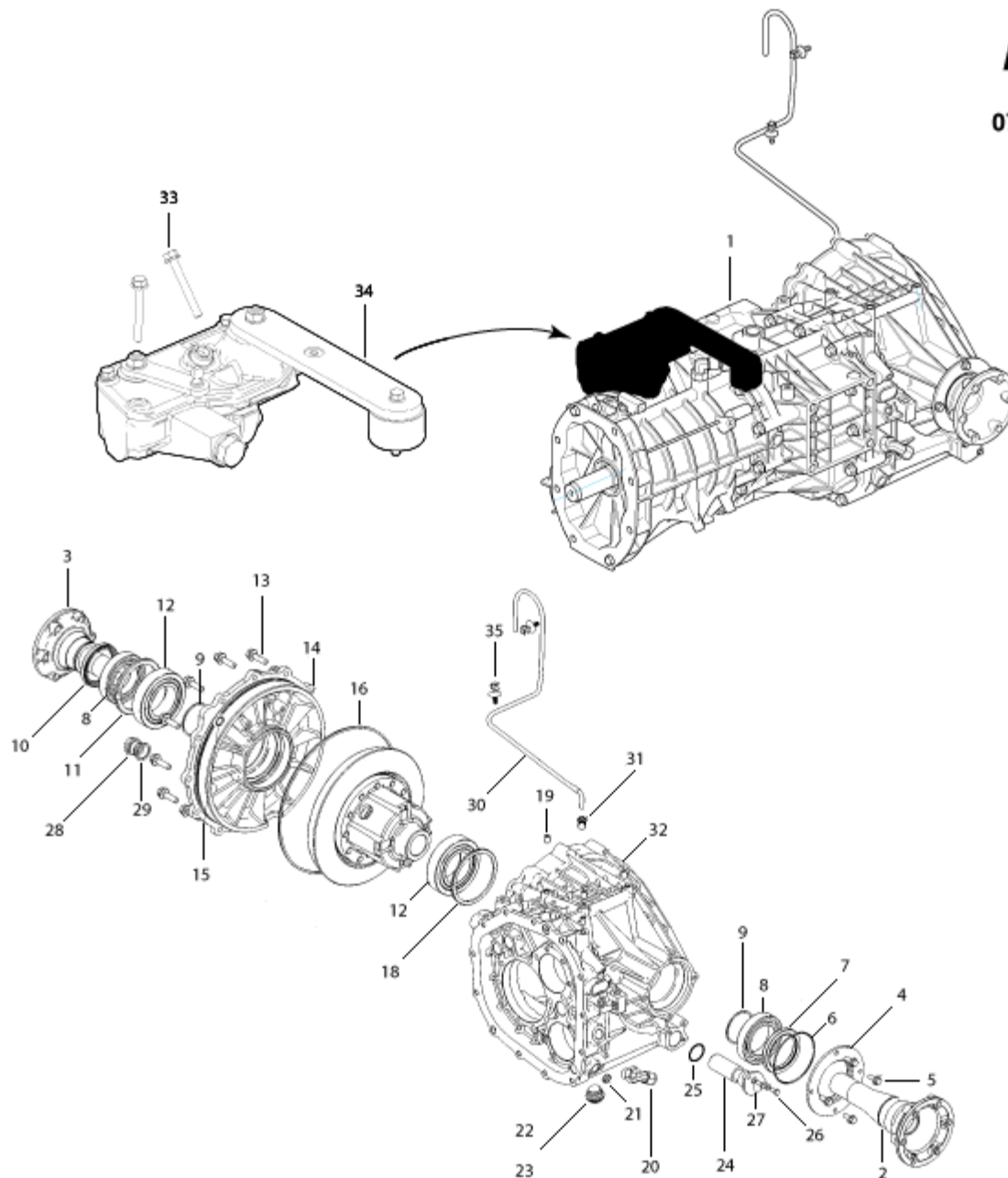
Transaxle Cooling, Manual, 09MY

Item	Part Number	Description	Qty	Remarks
1	8D33-7H255-BA	Hose assy, transmission oil inlet	1	-
2	8D33-7H256-BB	Hose assy, transmission oil outlet	1	-
3	8D33-7K177-CA	Matrix, oil cooler	1	-
4	8D33-7H460-AA	Duct, transaxle air cool	1	09MY

5	703730	Screw, M8 x 16	2	-
6	703264	Screw, M8 x 14	2	-
-	6G43-445396-AA	Oil cooler	1	Extreme cooling pack

DB9 - TRANSMISSION SYSTEM

DB9
07 TRANSMISSION



April 2006
070300-R1
Manual Transaxle

Manual Transaxle

Item	Part Number	Description	Qty	Remarks
1	4G43-7002-AD	Transaxle assy, complete, Manual	1	-
2	4G43-27-10600	Output shaft, left side differential	1	-

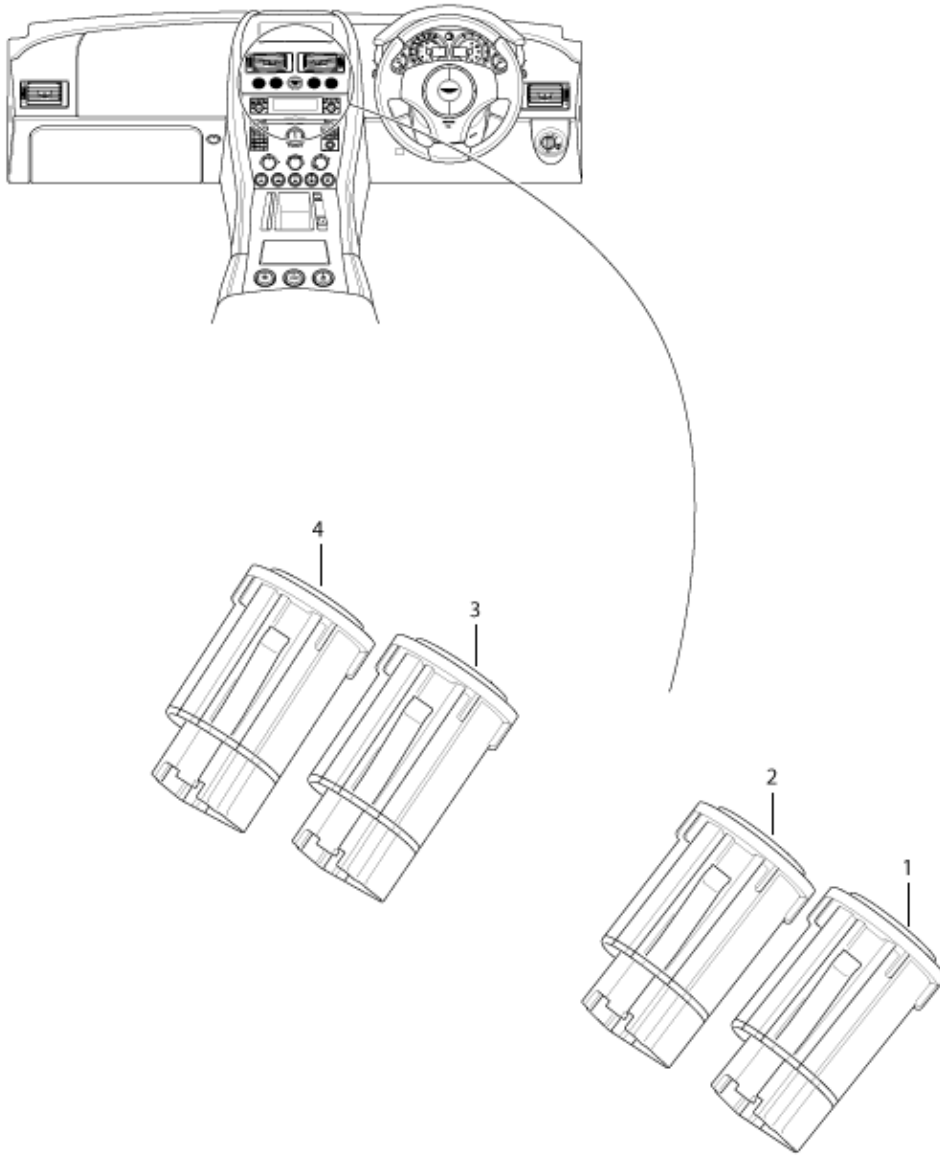
3	4G43-27-10601	Output shaft, right side differential	1	-
4	4G43-27-10602	Bearing, differential output shaft, LH	1	-
5	702812	Bolt, M6 x 16 flange	4	-
6	4G43-27-10482	O Ring, 2.62 x 75.87	1	-
7	4G43-27-10483	Seal, Lip, 55 x 72 x 8	1	-
8	4G43-27-10603	Bearing, differential output shaft	2	-
9	702813	Shim	2	-
10	4G43-27-10604	Seal, differential output, RH	1	-
11	702814	Shim	1	-
12	4G43-27-10605	Bearing, differential output	2	-
13	702815	Bolt, M8 x 30	12	-
14	4G43-27-10606	Cover, differential	1	-
15	4G43-27-10502	O Ring 2.62 x 9.92	1	-
16	4G43-27-10607	Seal, cover	1	-
18	702816	Shim	1	-
19	702817	Set screw, M8 x 10	6	-
20	4G43-27-10609	Pipe, trans cooling, 90°	1	-
21	702818	Plug	1	-
22	702819	Plug, oil drain	1	-
23	702820	Washer, oil drain plug	1	-
24	4G43-27-10490	Filter, Oil	1	-
25	4G43-27-10491	O Ring, 2.62 x 20.63	1	-
26	4G43-27-10492	Screw, M5 x 0.8 x 12	2	-
27	702821	Washer, 5.3 x 0.5	2	-
28	4G43-27-10493	Plug, Oil Level M22 x 1.5	1	-
29	4G43-27-10245	Seal, Flat 22 x 28 x 1.5	1	-
30	4G43-7A245-CA	Pipe, breather, transaxle, manual	1	-
31	4G43-27-10610	Adaptor, breather pipe, transaxle	1	-
32	4G43-27-10611	Housing, differential	1	-
33	702822	Bolt, M6 x 50	2	-
34	6G33-7N372-AB	Bellcrank assy, transaxle	1	-
35	701575	Clip, pipe	1	-
-	4G43-19G506-AA	Grease, manual transmission	1	-
-	6G33-75106-AA/S	Oil, transaxle	1	-

[Contents](#)

DB9 - TRANSMISSION SYSTEM

DB9

07 TRANSMISSION



March 2008
070502-D1
Transmission Switches- AUTO

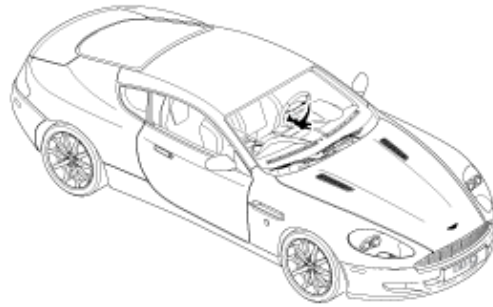
Transmission Switches - Auto

Item	Part Number	Description	Qty	Remarks
1	4G43-7L021-AE	Switch assy, park	1	05MY
-	6G33-7L021-AA	Switch assy, park	1	06MY From (V) A04019
2	4G43-7J175-AE	Switch assy, reverse mode	1	05MY
-	6G33-7J175-BA	Switch assy, reverse mode	1	06MY From (V) A04019

3	4G43-7A247-AE	Switch assy, neutral	1	05MY
-	6G33-7A247-AA	Switch assy, neutral	1	06MY From (V) A04019
4	4G43-7J177-AF	Switch assy, drive	1	05MY
-	6G33-7J177-AA	Switch assy, drive	1	06MY From (V) A04019
-	4G43-14B626-AF	Switch assy, sports mode	1	05MY
-	6G33-14B626-AA	Switch assy, sports mode	1	06MY From (V) A04019

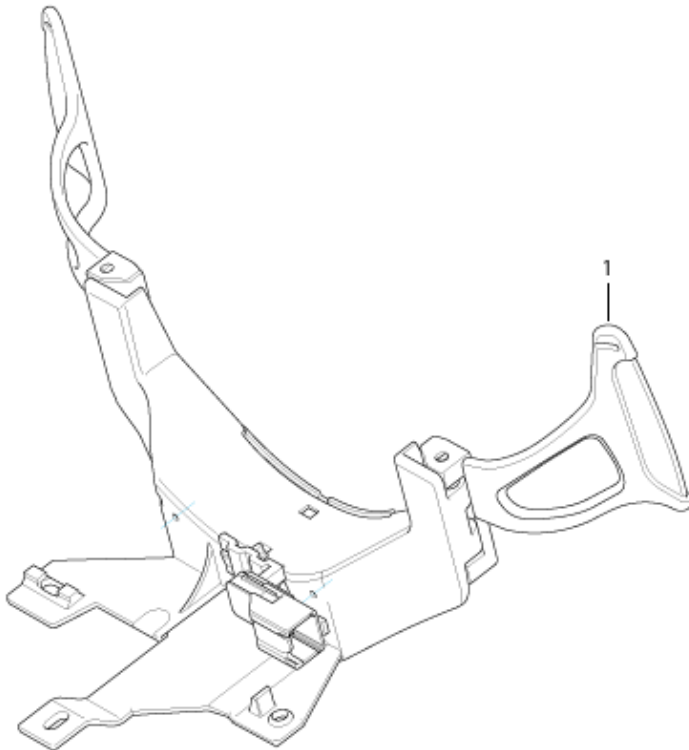
[Contents](#)

DB9 - TRANSMISSION SYSTEM



DB9

07 TRANSMISSION



March 2008
070502-D2
Paddleshift Assy- LHD

Paddleshift Assy - RHD/LHD

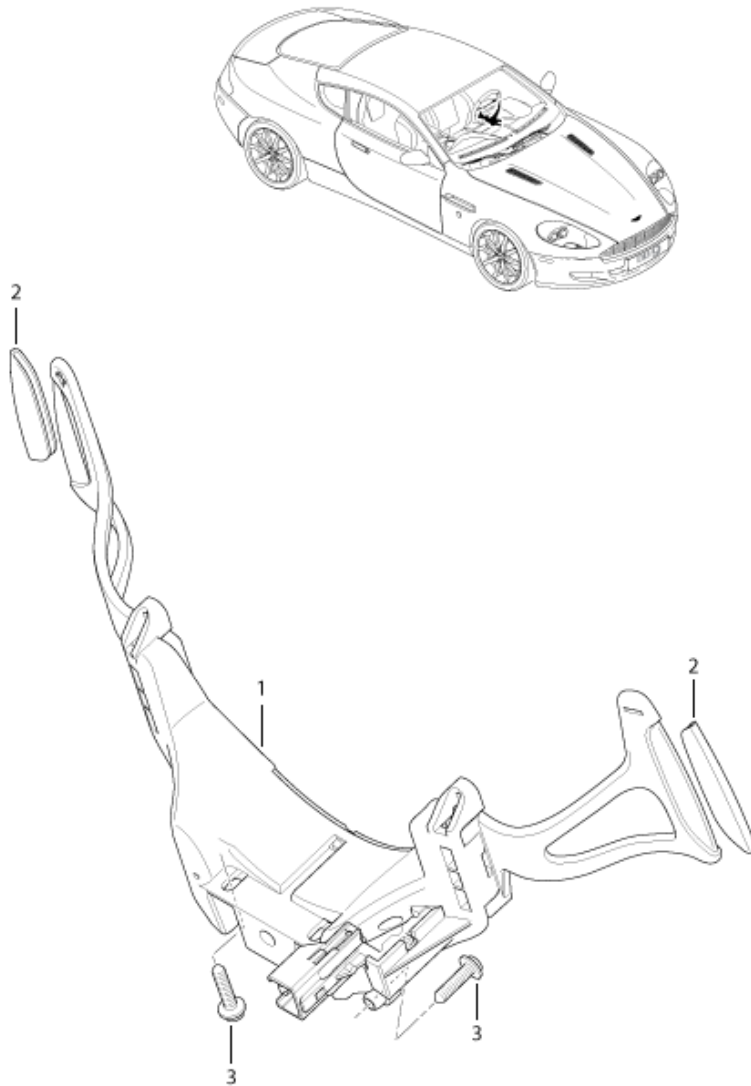
Item	Part Number	Description	Qty	Remarks
1	4G43-7L237-AC	Paddleshift selector, touchtronic	1	-
-	701660	Screw, 4.2 x 13	1	-

[Contents](#)

DB9 - TRANSMISSION SYSTEM

DB9

07 TRANSMISSION



April 2008

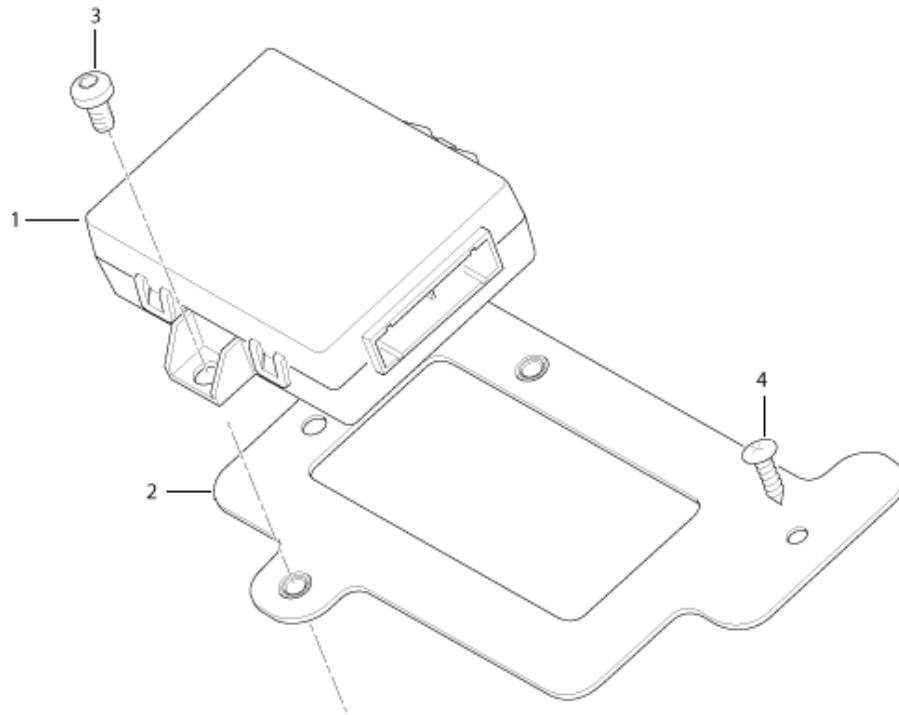
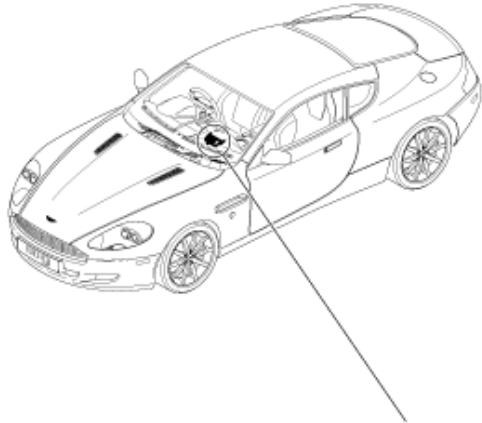
070502-D3

Paddleshift Assy- LHD, RHD 09MY

Paddleshift Assy - LHD, RHD 09MY

Item	Part Number	Description	Qty	Remarks
1	9G43-7L237-AC	Paddleshift selector, touchtronic	1	-
2	4G43-7L239-AC	Cover, paddle	2	-
3	703736	Screw, 4.2 x 19, small washer head	4	-

DB9
07 TRANSMISSION



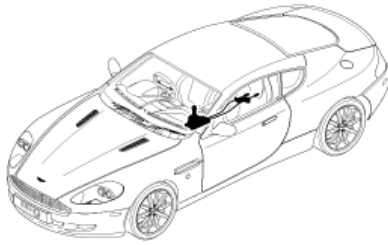
October 2007

070502-D4

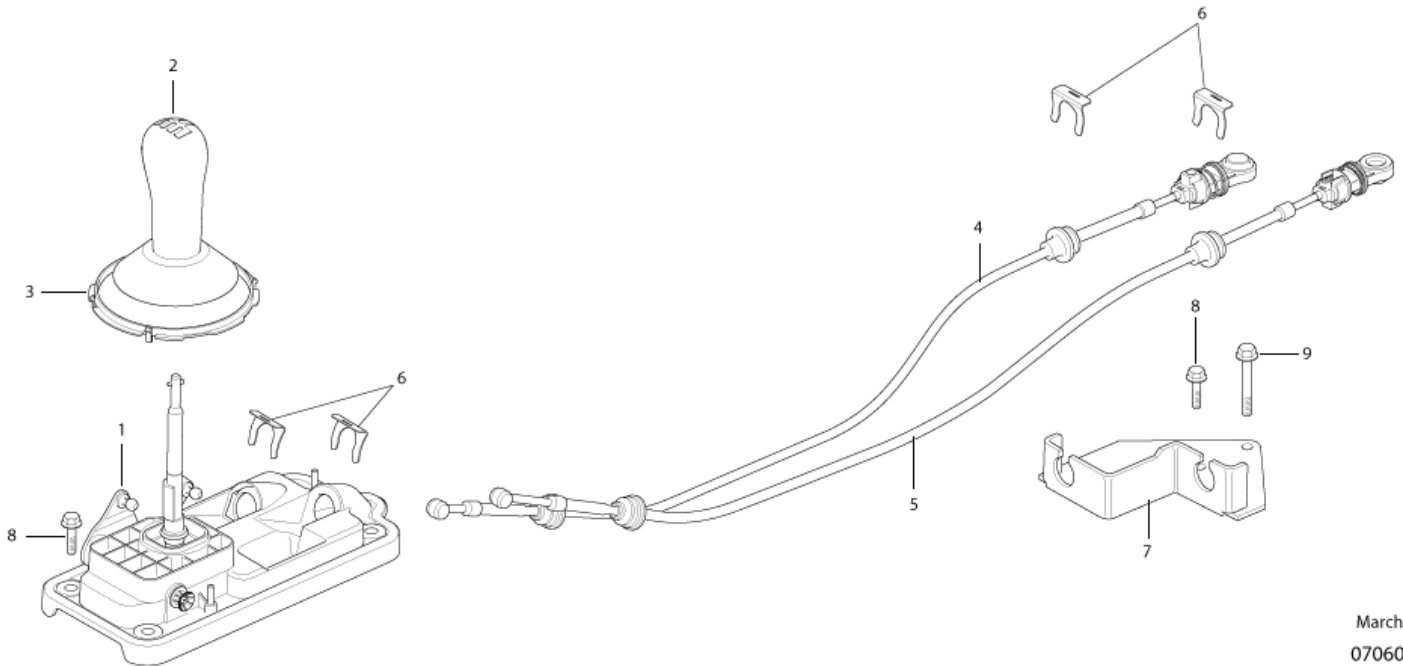
SBW (Shift By Wire) Interface

SBW (Shift By Wire) Interface

Item	Part Number	Description	Qty	Remarks
1	4G43-7201-AC	SBW Interface ECU	1	-
2	4G43-7201-BE	Plate, SBW Interface	1	-
3	700132	Bolt, flg, M6 x 10, module to bracket	2	07MY
-	703278	Bolt, flg, M6 x 10, module to bracket	2	08MY From (V) A09110
4	701157	Screw, 4.2 x 16, bracket to IP	2	-



DB9
07 TRANSMISSION



March 2006
070600-R1
Manual Transmission Controls, MANUAL

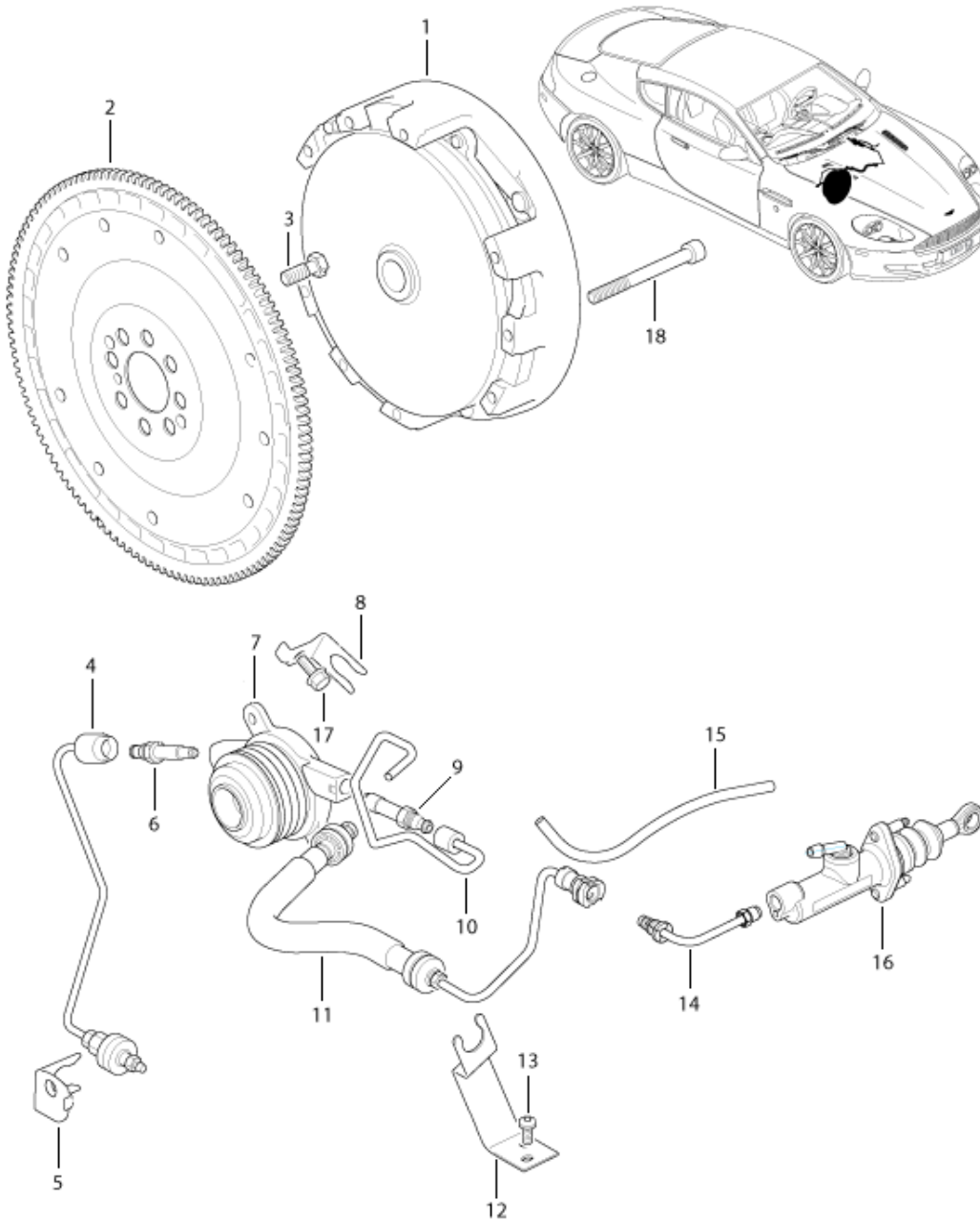
Manual Transmission Controls, MANUAL

Item	Part Number	Description	Qty	Remarks
1	4G43-7K390-BA	Manual shifter assy & cables	1	-
-	4G43-7Z390-CB	Manual shifter assy & cables	1	07MY
-	4G43-7Z390-CC	Manual shifter assy & cables	1	08MY From (V) A09110
-	4G43-7K387-AD	Gear shift lever assy	1	-
-	4G43-7K387-BA	Gear shift lever assy	1	07MY
-	4G43-7K387-BC	Gear shift lever assy	1	08MY From (V) A09110
2	4G43-7K327-AC	Gear knob	1	-
3		Gaiter frame	1	-
4	4G43-7E395-BC	Cable assy, trans selector, manual	1	-
5	4G43-7E395-AC	Cable assy, trans selector, manual	1	-
6	4G43-7K391-AA	Clip	4	-
7	4G43-7F377-DA	Bracket, trans control cable	1	-
8	700223	Bolt M8 x 25	5	07MY
-	703187	Bolt M8 x 25	5	08MY From (V) A09110
9	701627	Bolt M8 x 55	2	07MY

-	703193	Bolt M8 x 55	2	08MY From (V) A09110
-	702276	Screw, M8 x 45 cable shifter attach	4	07MY
-	703194	Screw, M8 x 45 cable shifter attach	4	08MY From (V) A09110

DB9 - CLUTCH SYSTEM

DB9
08 CLUTCH SYSTEM



March 2008
080000-R1
Clutch System LHD

Clutch System LHD

Item	Part Number	Description	Qty	Remarks
-	4G43-7C545-AE	Clutch and flywheel assy	1	-
1	4G43-7540-AB	Clutch, twin plate	1	-
-	8D33-7540-AB	Clutch, twin plate	1	09MY
2	4G43-6375-AC	Flywheel, single mass	1	-
-	9G43-6375-BA	Flywheel, single mass	1	09MY

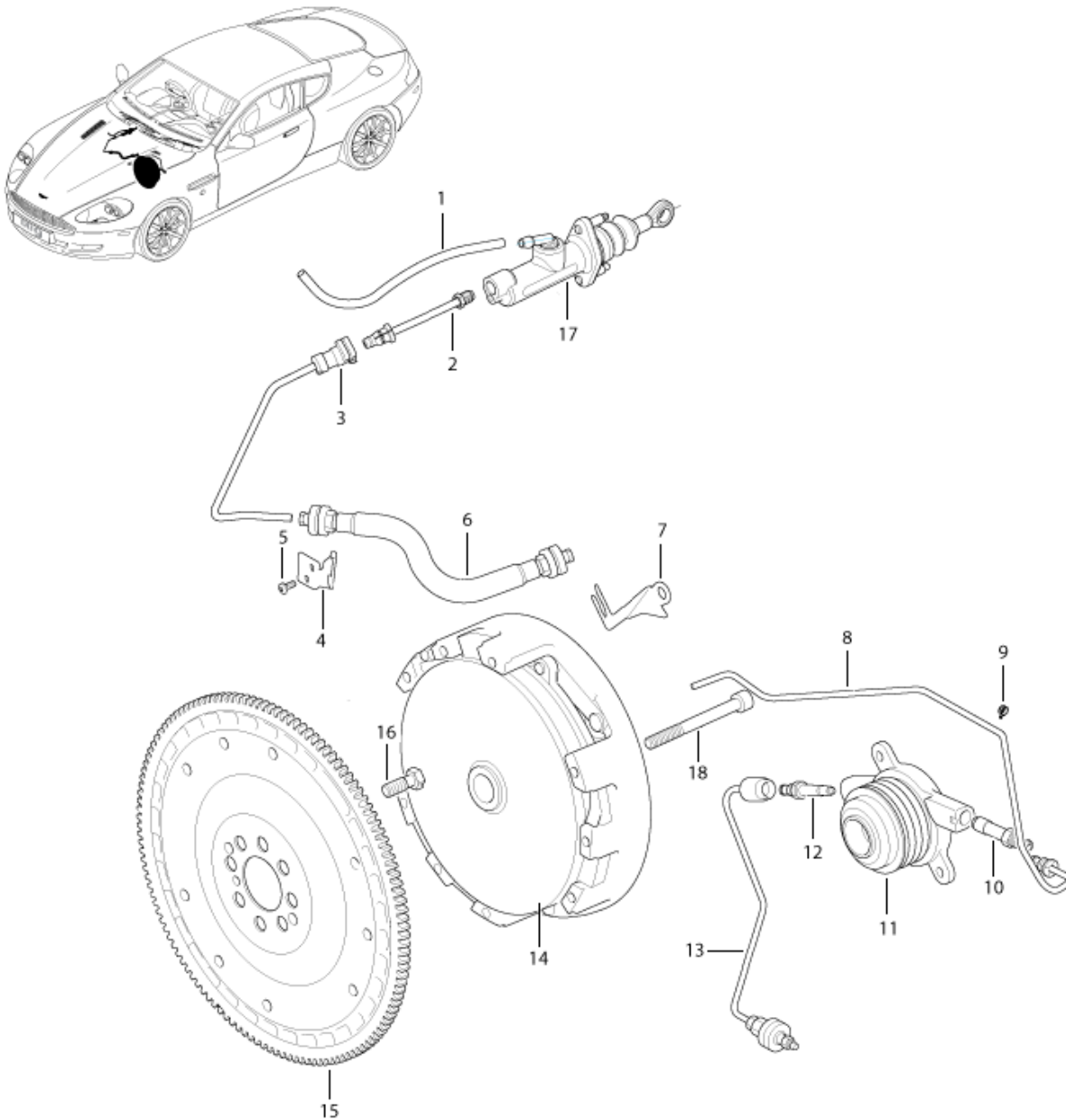
3	697786	Bolt, M10 x 30	8	-
4	4G43-7H552-AB	Hose assy, clutch bleed	1	-
5		Bracket, bleeder pipe	1	-
6	4G43-7K640-AB	Connector assy, bleed	1	-
7	4G43-7A564-AB	Cylinder, slave, clutch	1	-
-	703203	Screw, fl, M6 x 20 CSC to T/T housing	2	-
8	4G43-7T503-AA	Bracket, slave hose support	1	-
9	4G43-7K640-BB	Connector assy, pressure	1	-
10	4G43-7608-A	Tube assy, lower	1	-
11	4G43-7608-BB	Hose assy, clutch	1	-
12	4G43-R7N630-AC	Bracket, clutch line, LHD	1	-
13	701158	Screw M6 x 10 button head torx, black	2	-
14	4G43-7608-DB	Tube assy	1	-
15	4G43-41360-BA	Hose assy, reservoir to master cylinder	1	-
16	4G43-7578-AA	Kit, master cylinder assy	1	-
17	700123	Screw, M8 x 20	1	07MY
-	703121	Screw, M8 x 20	1	08MY From (V) A09110
18	8D33-CD60-B	Screw	8	-

[Contents](#)

DB9 - CLUTCH SYSTEM

DB9

08 CLUTCH SYSTEM



April 2008
080000-R2
Clutch System RHD

Clutch System RHD

Item	Part Number	Description	Qty	Remarks
1	4G43-41360-BA	Hose assy, reservoir to master cylinder	1	-
2	4G43-7608-CB	Tube assy, upper	1	-
3	4G43-7608-A	Tube assy, upper	1	-
4	4G43-R7N630-BB	Bracket, clutch line, RHD	1	-
5	701158	Screw M6 x 10, button head torx, black	2	-
6	4G43-7608-AB	Hose assy, clutch	1	-

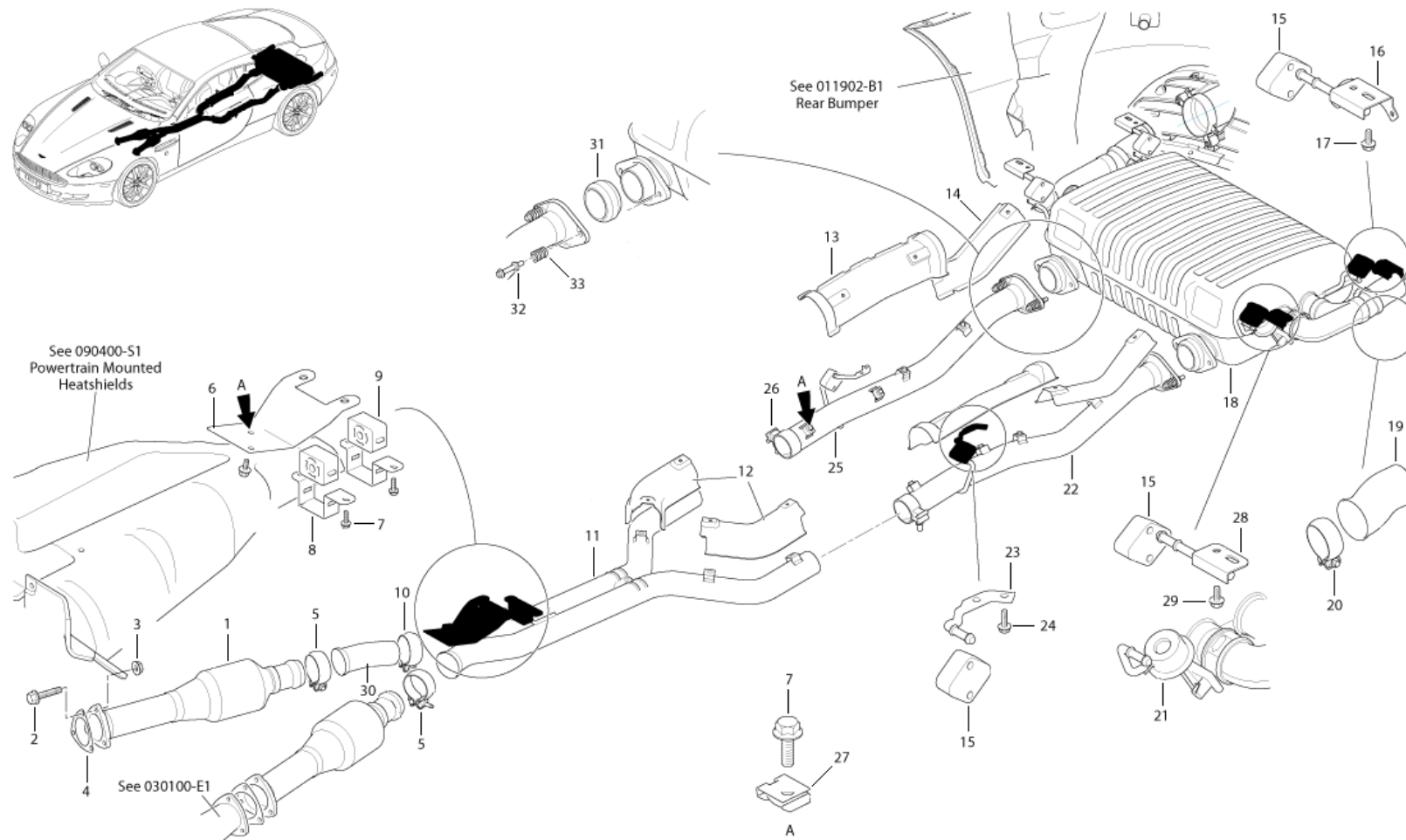
7	4G43-7T503-BA	Bracket, slave cylinder hose	1	-
8	4G43-7608-A	Tube, lower	1	-
9	699632	P Clip, clutch pipe to torque tube	1	-
-	700891	Screw, flg, M5 x 8, P clip attach	1	07MY
-	703206	Screw, flg, M5 x 8, P clip attach	1	08MY From (V) A09110
10	4G43-7K640-BB	Connector assy, pressure	1	-
11	4G43-7A564-AB	Cylinder, slave, clutch	1	-
-	700126	Screw, flg, M6 x 20 CSC to T/T housing	2	-
12	4G43-7K640-AB	Connector assy, bleed	1	-
13	4G43-7H552-AB	Hose assy, clutch bleed	1	-
-	4G43-7C545-AE	Clutch and flywheel assy	1	-
14	4G43-7540-AB	Clutch, twin plate	1	-
-	8D33-7540-AB	Clutch, twin plate	1	09MY
15	4G43-6375-AC	Flywheel, single mass	1	-
-	9G43-6375-BA	Flywheel, single mass	1	09MY
16	697786	Bolt, M10 x 30	8	-
17	4G43-7578-AA	Kit, master cylinder	1	-
18	8D33-CD60-B	Screw	8	-

[Contents](#)

DB9 - EXHAUST SYSTEM

DB9

09 EXHAUST



March 2008
090000-S1
Exhaust

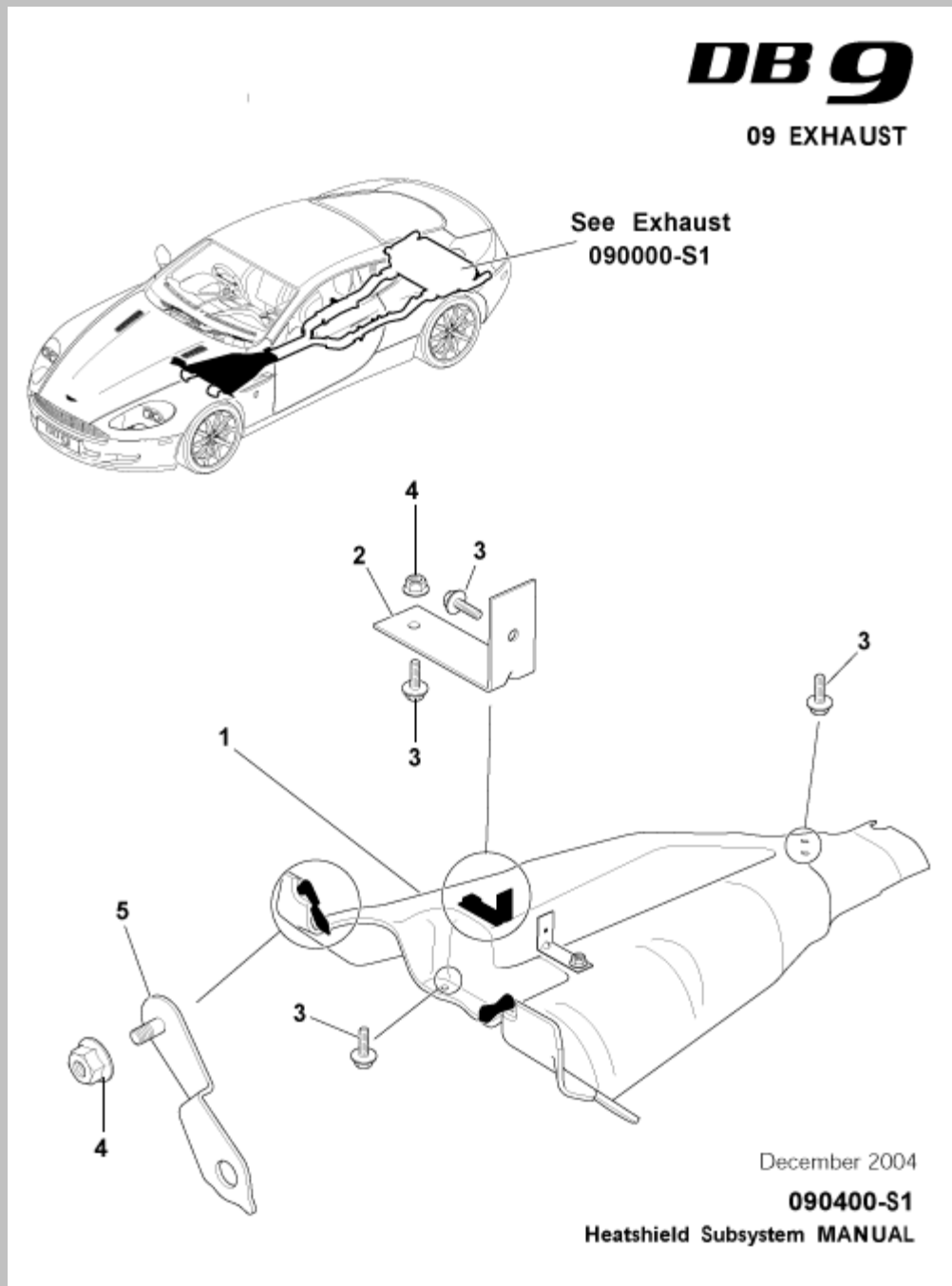
Exhaust

Item	Part Number	Description	Qty	Remarks
1	4G43-5E211-AE	Catalyst and pipe assy	2	-
-	8G43-5E211-AB	Catalyst and pipe assy	2	09MY
2	702698	Bolt, flg, M8 X 45	6	-
3	4G43-02738-AA	Nut, M8	6	-
4	4G43-5E281-AA-PK	Gasket	2	-

5	4G43-5221-BA	Clamp, converter to inter clamp	2	-
6	4G43-3962-CD	Bracket, torque tube to heatshield	1	-
7	700211	Screw, M6 x 14	4	07MY
-	703264	Screw, M6 x 14	4	08MY From (V) A09110
8	4G43-3962-FA	Bracket, intermediate to torque tube	2	-
9	4G43-35-10025	Isolator	2	-
10	4G43-5221-BA	Clamp	2	-
11	4G43-5220-ED	Pipe exhaust, centre	1	-
12	4G43-5G221-AA	Shield assy, rear, front section	2	-
13	4G43-5G221-BB	Shield assy, centre section	2	-
14	4G43-5G221-CB	Shield assy, rear, rear section	2	-
15	4G43-35-10026	Rubber, exhaust rear muffler mounting	6	-
16	4G43-5N201-HD	Bracket assy, rear, LH	1	-
-	4G43-5N201-GD	Bracket assy, rear, RH	1	-
17	700123	Screw, flg, M8 x 20	8	07MY
-	703121	Screw, flg, M8 x 20	8	08MY From (V) A09110
18	4G43-5230-FC	BMuffler and bypass valve assy	1	-
19	4G43-5220-CA	Pipe	2	-
20	4G43-5221-BA	Clamp	2	-
21	4G43-9E485-AA	Valve, exhaust bypass	2	-
22	4G43-5220-BD	Pipe assy, exhaust rear, LH	1	-
23	4G43-5N201-DC	Bracket, exhaust mounting, LH	1	Auto
-	4G43-5N201-BC	Bracket, exhaust mounting, LH	1	Manual
-	4G43-5N201-EC	Bracket, exhaust mounting, RH	1	Auto
-	4G43-5N201-CC	Bracket, exhaust mounting, RH	1	Manual
24	700123	Screw, flg, M8 x 20	4	07MY
-	703121	Screw, flg, M8 x 20	4	08MY From (V) A09110
25	4G43-5220-AD	Pipe assy, exhaust rear, RH	1	-
26	4G43-5221-BA	Clamp	2	-
27	699736	Clip, rear exhaust heatshield	14	-
28	4G43-5N201-FC	Bracket assy, front, LH	1	-
-	4G43-5N201-AC	Bracket assy, front, RH	1	-
29	700123	Screw, flg, M8 x 20	4	07MY
-	703121	Screw, flg, M8 x 20	4	08MY From (V) A09110
30	4G43-5220-FA	Pipe, stub, intermediate	1	-
31	4G43-17213-AA	Sealing ring	2	-
32	4G43-70816-AA	Bolt, spm joint	4	-
33	4G43-5F264-AA	Spring, clamp	4	-

[Contents](#)

DB9 Exhaust



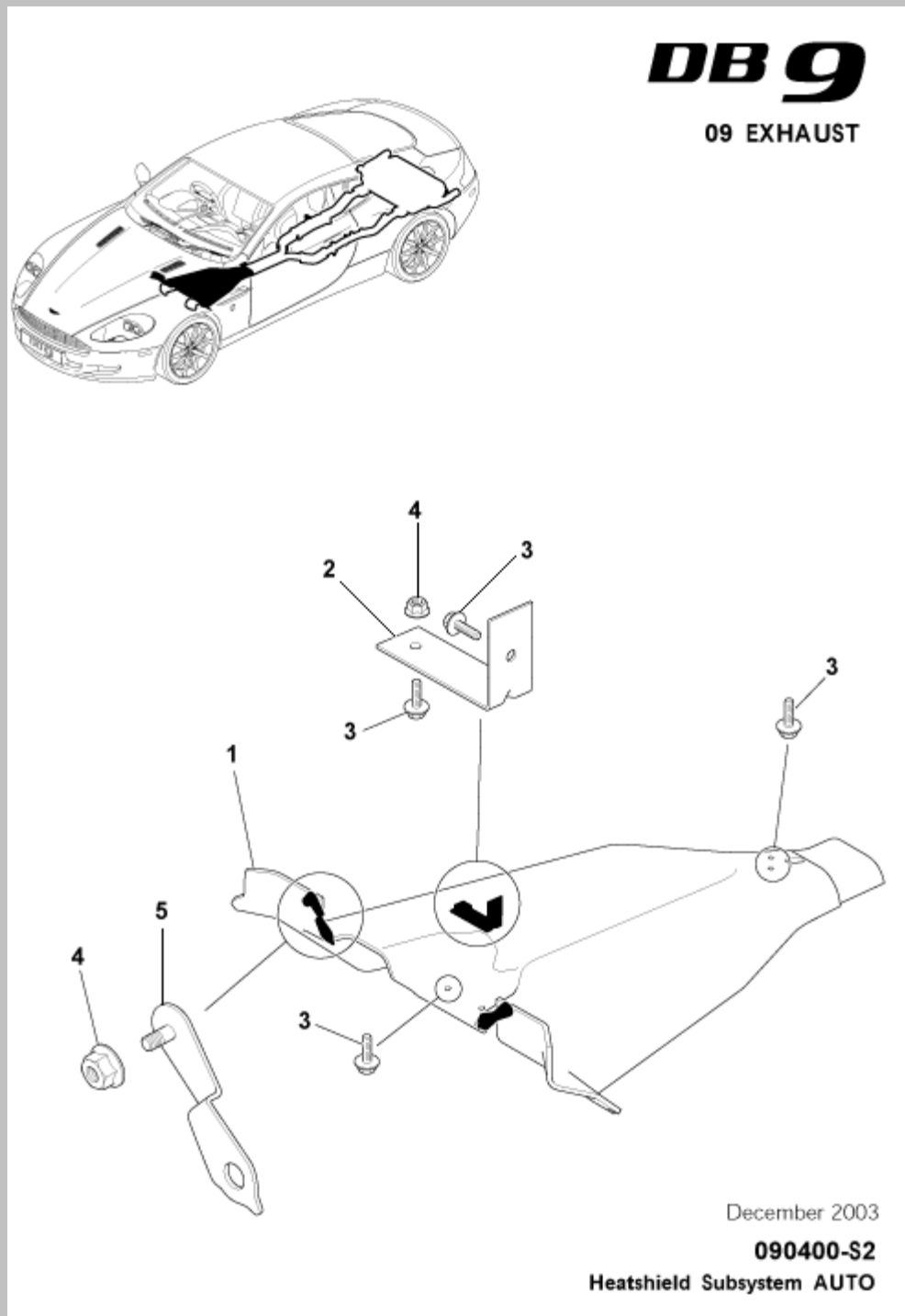
Heatshield Subsystem Manual

Item	Part Number	Description	Qty	Remarks
1	4G43-11398-AF	Heatshield, front floor	1	-
2	4G43-3962-CD	Bracket, support	2	-
3	703752	Bolt and washer, M6 x 14	6	-

4	703612	Nut and washer, M6	4	-
5	4G43-3962-ED	Bracket, support	2	-
-	4G43-C5K286-AC	Heatshield, starter motor	1	-
-	703264	Screw, M6 x 14, shield to pipes	4	-
-	8G43-6K342-BB	Heatshield, crank sensor	1	-

[Contents](#)

DB9 Exhaust

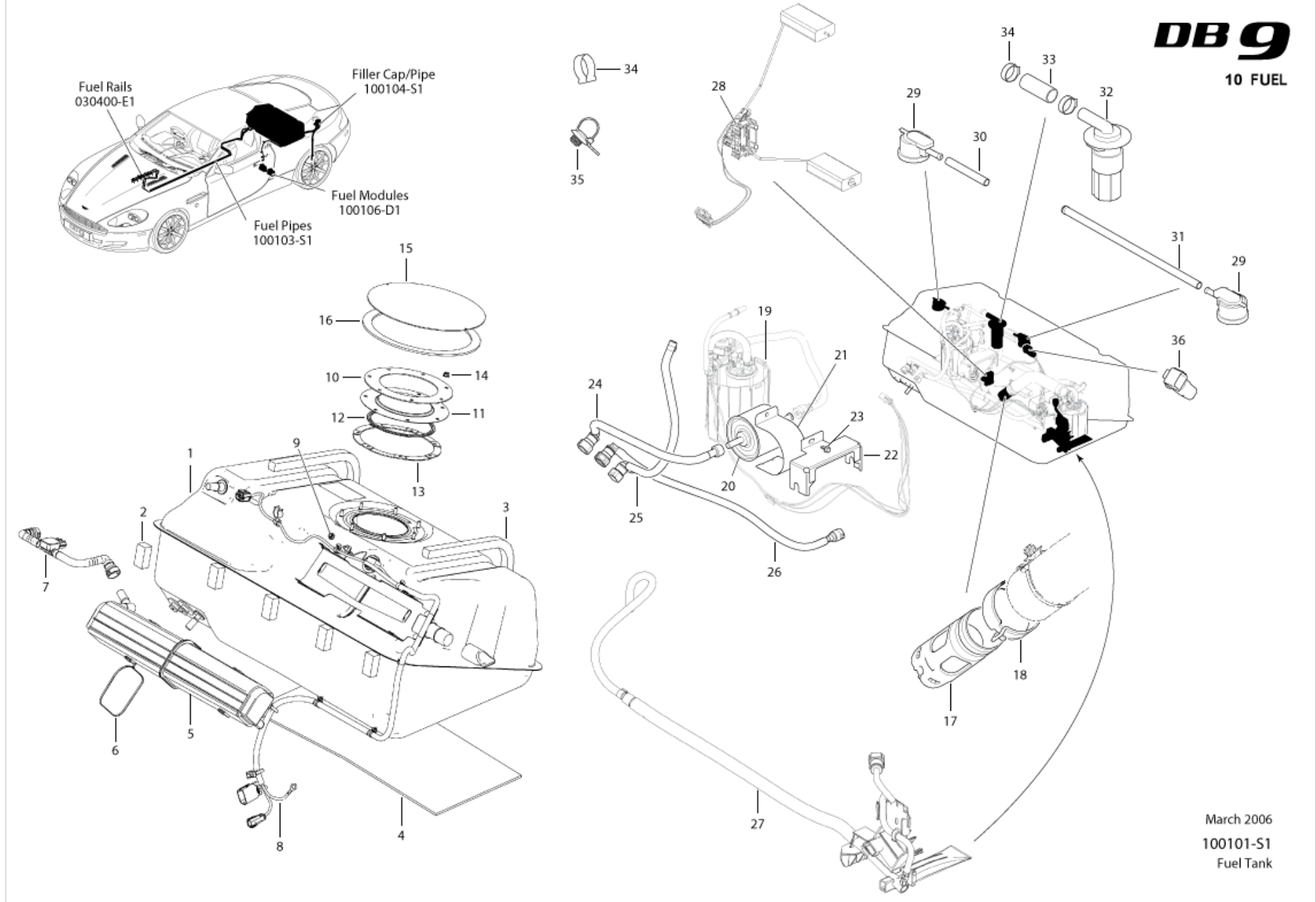


Heatshield Subsystem Auto

Item	Part Number	Description	Qty	Remarks
1	4G43-11398-AF	Heatshield, front floor	1	-
2	4G43-3962-CD	Bracket, support	1	-

3	703752	Bolt and washer, M6 x 14	7	-
4	703612	Nut & Washer, M6	4	-
5	4G43-3962-ED	Bracket, support	2	-
-	4G43-C5K286-AC	Heatshield, starter motor	1	-
-	703264	Screw, M6 x 14, shield to pipes	4	-
-	8G43-6K342-BB	Heatshield, crank sensor	1	-

DB9 - FUEL SYSTEM

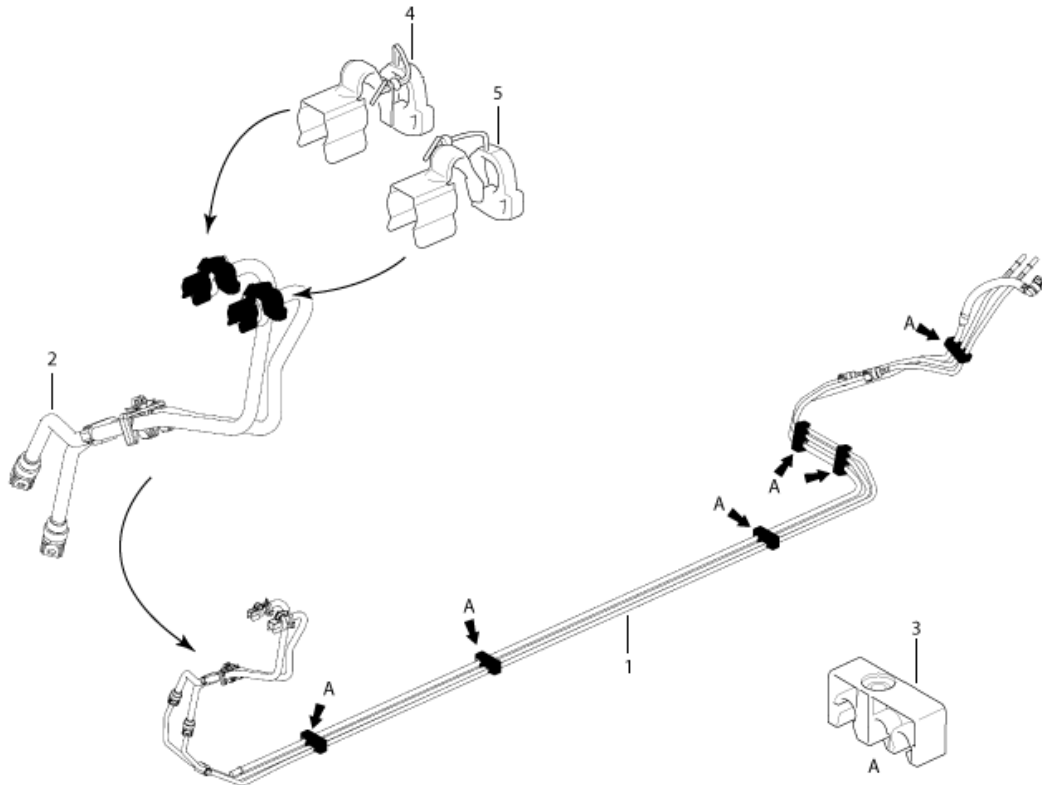
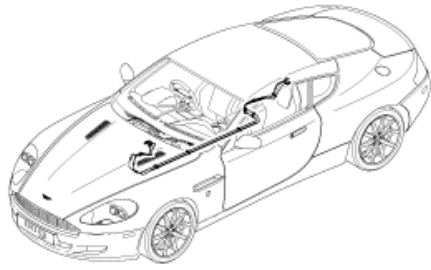


Fuel Tank

Item	Part Number	Description	Qty	Remarks
		When fitting new fuel tank, remove items 7 & 8 and re-use		
1	4G43-9C133-AF	Tank and canister assy	1	05MY
-	4G43-9C133-BC	Tank and canister assy	1	06MY from (V) A04019
-	7G43-9C133-AA	Tank and canister assy	1	07MY from (V) A06152
-	8G43-9C133-AA	Tank and canister assy	1	08MY from (V) A10560
-	8G43-9C133-AB	Tank and canister assy	1	09MY
2	4G43-M2D28-AB	Foam pad, tank front	5	-
3	4G43-482550-AA	Foam pad, tank upper	2	-
4	4G43-XC468090-AB	Foam pad, tank base	1	-
5	4G43-9D653-AA	Canister assy	1	-
6	4G43-9C133-A-PIA03	Tie-wrap	1	Cannister Assy
7	4G43-9A228-AB	Tube, assy, fuel vap to canister	1	-
8	4G43-14407-AE	Harness, fuel tank	1	-
-	7G43-14407-AB	Harness, fuel tank	1	07MY
9	700142	Nut, flg, M6 lock	1	-
10	4G43-32133-BA	Plate, Clamp	1	-
11	4G43-9C055-AD	Cover, Fuel Tank Cover Plate	1	05MY
-	4G43-9C055-CA	Cover, Fuel Tank Cover Plate	1	06MY from (V) A04019
12	4G43-9073-AA	Gasket, Fuel Tank Cover Plate	1	-
13	4G43-32133-BA	Plate, Clamp	1	-
14	697820	Nut, flg, M6 lock	8	-
15	4G43-9074-AB	Plate assy, Fuel Tank Cover	1	Coupe- includes cover plate gasket
-	4G43-9074-CB	Plate assy, Fuel Tank Cover	1	Volante-includes cover plate gasket
16	4G43-9073-BB	Gasket, Fuel Tank Cover Plate	1	Part of Plate assy, Fuel Tank Cover
17	4G43-34-10332	Valve Assy, Fuel tank	1	-
-	4G43-9047-BA	Hose, fuel tank filler	1	-
18	702594	Clamp, Spring band heavy duty	1	-
		Early cars which have had a replacement fuel tank 8G43-9C133-AA will require latest fuel pump if required.		
19	4G43-9B260-AC	Pump and reservoir assy, RH	1	Up to (V) 10559

-	4G43-9B260-BC	Pump and reservoir assy, LH	1	Up to (V) 10559
-	8G43-9B260-AA	Pump and reservoir assy, LH	1	From (V) 10560
-	6G33-9B260-CA	Pump and reservoir assy, RH	1	From (V) 10560
20	4G43-9155-AB	Filter assy, fuel, RH	1	-
-	4G43-9155-BA	Filter assy, fuel LH	1	-
-	6G33-9155-AA	Filter assy, fuel, RH	1	08MY
-	8G43-9155-AA	Filter assy, fuel, LH	1	08MY
21	4G43-9180-AB	Bracket, fuel filter	2	-
22	4G43-9180-BA	Bracket, fuel conn	2	Up to 07MY
23	702082	Screw, M5 x 16, fuel filter to baffle	2	-
24	NSS	Hose assy, fuel filter, RH	1	-
25	4G43-9B035-AB	Hose assy, fuel/vap lower	1	-
26	NSS	Hose assy, fuel filter, LH	1	-
27	4G43-9B260-DA	Pump jet assy, fuel, LHS	1	-
-	4G43-9B260-CA	Pump jet assy, fuel, RHS	1	-
28	4G43-9E275-AA	Sender assy, fuel tank	1	-
29	4G43-9B190-BA	Valve assy, fuel vapour {ROV}	2	-
30	4G43-4090-BB	Hose, fuel vapour	1	-
31	4G43-4090-AB	Hose, fuel vapour	1	-
-	4G43-9009-A-PIA10	Clip, Oetiker	4	-
32	4G43-9B190-AA	Valve assy, fuel level vent	1	-
33	4G43-4090-CA	Hose	1	-
34	4G43-9009-A-PIA12	Clip, Oetiker	2	-
35	4G43-9012-A-PIA01	Tie wrap, fir tree	4	-
36	4G43-37-10041	Conn, 6 way Sumitomo	1	less 'O' ring
-	1R12-34-10013	'O' ring	1	
		When fitting new fuel tank, remove items 7 & 8 and re-use		

DB9
10 FUEL



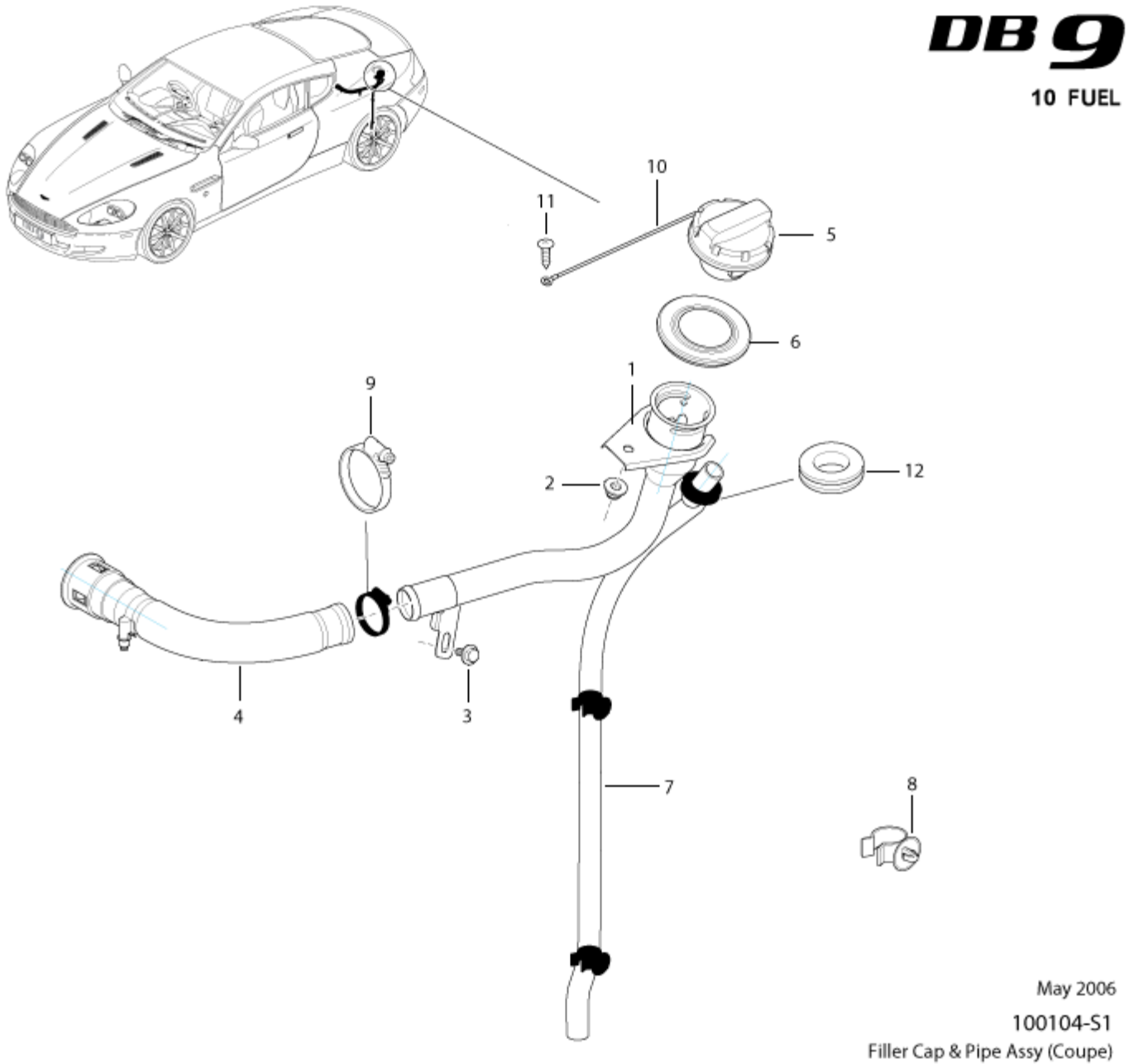
April 2008
100103-S1
Fuel Pipes

Fuel Pipes

Item	Part Number	Description	Qty	Remarks
1	4G43-9S284-AC	Pipe assy, fuel vapour	1	-
-	4G43-9S284-AD	Pipe assy, fuel vapour	1	07MY
2	4G43-9F911-AC	Pipe assy, fuel rail inlet	1	-
-	4G43-9F911-AD	Pipe assy, fuel rail inlet	1	09MY
-	7G43-9F911-AA	Pipe assy, fuel rail inlet	1	07/09MY
3	4G43-9294-AA	Clip, fuel line to engine	6	-
4	701316	Clip and clamp, fuel rail inlet	1	-
-	N805521-S190	Clip, 9mm open snp, fuel rail inlet	1	07MY
-	N805521-S439	Clip, 9mm open snp, fuel rail inlet	1	09MY
5	1R12-34-10084	Clamp, fuel rail inlet	1	-

-	N808715-S	Clamp, fuel rail inlet	1	09MY
---	---------------------------	------------------------	---	------

DB9 - FUEL SYSTEM



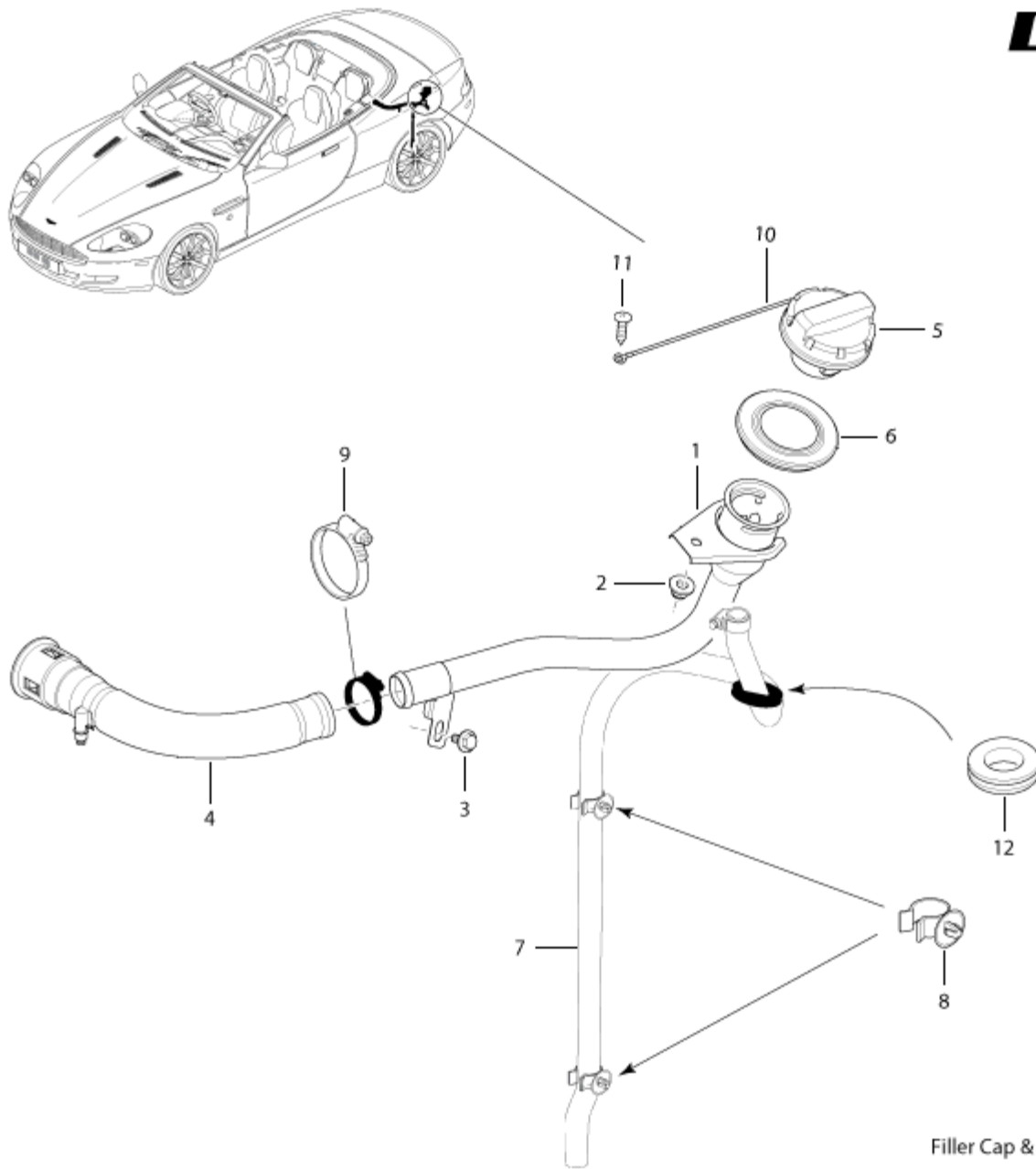
Filler Cap & Pipe Assy (Coupe)

Item	Part Number	Description	Qty	Remarks
-	4G43-9032-AD	Pipe & hose assy, fuel tank filler	1	-
1	4G43-9034-AE	Pipe, fuel tank filler	1	-
2	701194	Nut & washer, M6	1	-

3	701196	Screw flg, M6 x 16	1	07MY
3	703151	Screw flg, M6 x 16	1	08MY From (V) A09110
4	4G43-9047-AA	Hose, fuel tank filler	1	Part of 4G43-9032-AD
-	702594	Clamp	1	-
5	4G43-9030-AE	Cap, fuel filler	1	07MY
-	4G43-9030-AF	Cap, fuel filler	1	08MY From (V) A09110
6	4G43-8703-AA	Gaiter	1	-
7	4G43-9C071-AA	Pipe, fuel fill overflow	1	-
-	1R12-343982-AA	Filter, drain tube, fuel filler bowl	1	-
8	4G43-9A317-AA	Clip, fuel hose	2	-
9	1R12-341157-AA	Clamp, fuel tank filler neck	1	-
10	4G43-9C027-AA	Tether, fuel tank filler cap	1	-
11	702288	Screw, pan head, tether to body	1	-
12	4G43-14605-AA	Grommet, rubber	1	-

[Contents](#)

DB9 - FUEL SYSTEM



DB9

10 FUEL

May 2006

100104-S2

Filler Cap & Pipe Assy- Volante

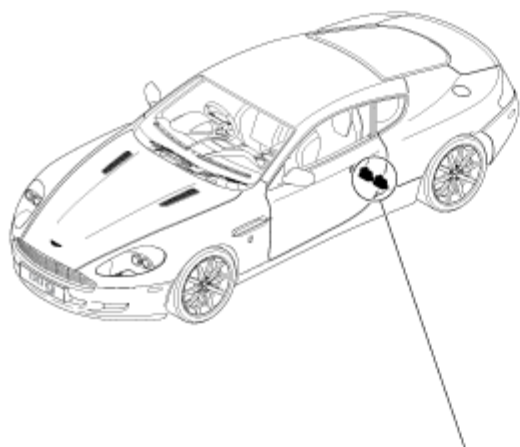
Filler Cap & Pipe Assy - Volante

Item	Part Number	Description	Qty	Remarks
-	4G43-9032-BD	Pipe & hose assy, fuel tank filler	1	-
1	4G43-9034-BE	Pipe, fuel tank filler	1	-
2	701194	Nut & washer, M6	1	-

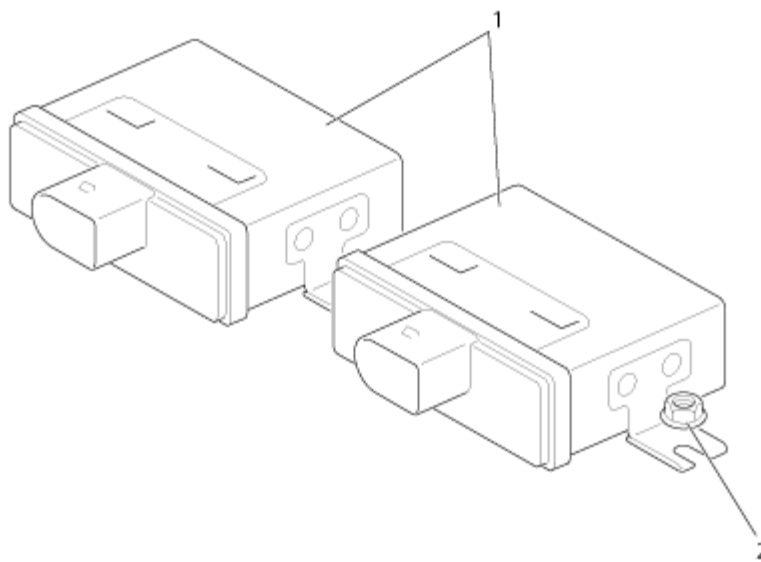
3	701196	Screw flg, M6 x 16	1	07MY
-	703151	Screw flg, M6 x 16	1	08MY From (V) A09110
4	4G43-9047-AA	Hose, fuel tank filler	1	Part of 4G43-9032-BD
-	702594	Clamp	1	-
5	4G43-9030-AE	Cap, fuel filler	1	07MY
-	4G43-9030-AF	Cap, fuel filler	1	08MY From (V) A09110
6	4G43-8703-AA	Gaiter	1	-
7	4G43-9C071-AA	Pipe, fuel fill overflow	1	-
-	1R12-343982-AA	Filter, drain tube, fuel filler bowl	1	-
8	4G43-9A317-AA	Clip, fuel hose	2	-
9	1R12-341157-AA	Clamp, fuel tank filler neck	1	-
10	4G43-9C027-AA	Tether, fuel tank filler cap	1	-
11	702288	Screw, pan head, tether to body	1	-
12	4G43-14605-AA	Grommet, rubber	1	-

[Contents](#)

DB9 - FUEL SYSTEM



DB9
10 FUEL



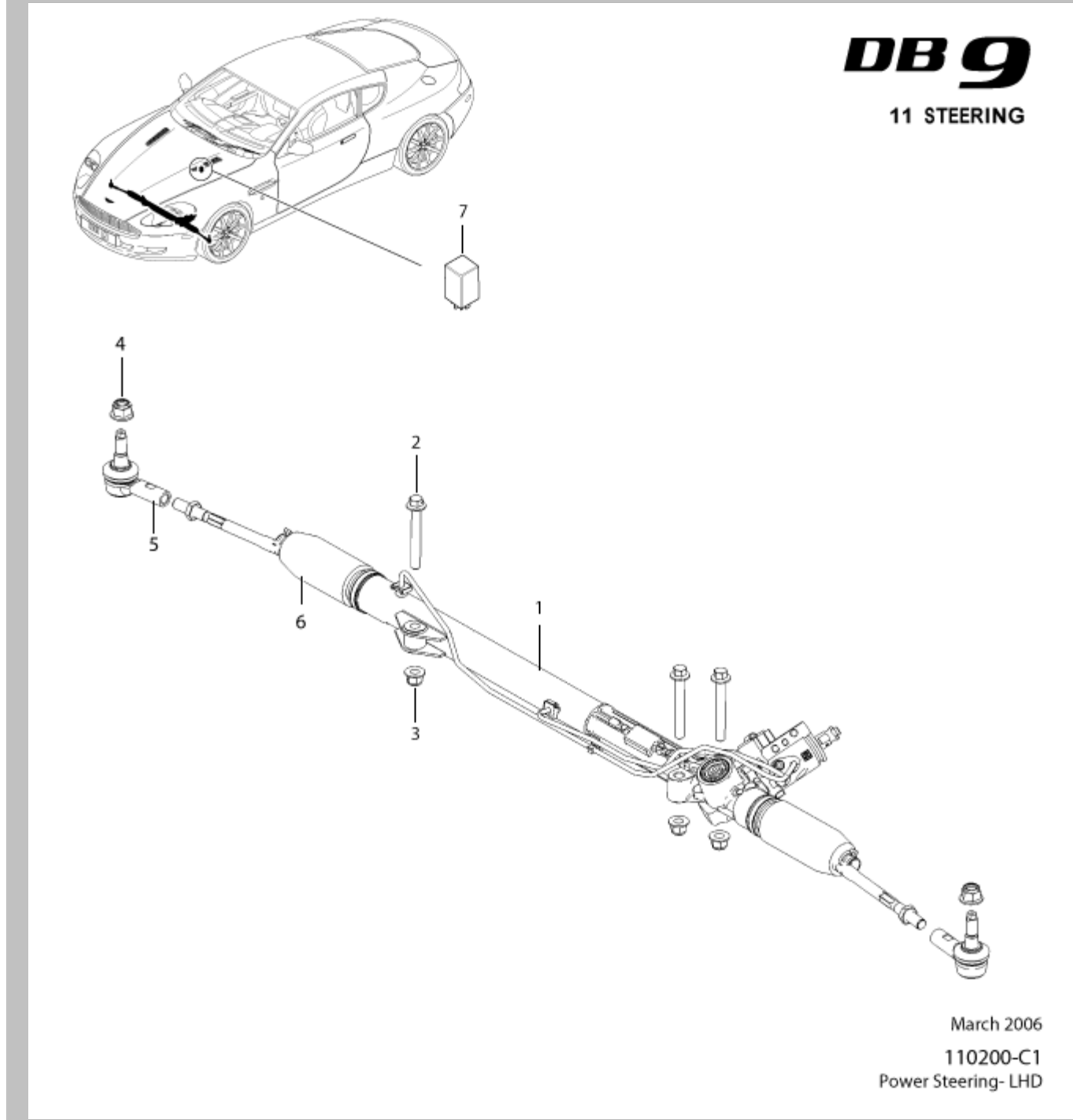
October 2004
100106-D1
Fuel Pump Driver Modules

Fuel Pump Driver Modules

Item	Part Number	Description	Qty	Remarks
1	4G43-37-10028	Module, fuel pump driver	2	-
-	3W83-9D372-AC	Module, fuel pump driver	2	07MY
-	7H42-9D372-AA	Module, fuel pump driver	2	08MY From (V) A09110

2	701170	Nut, flg, M6	4	07MY
-	702944	Nut, flg, M6	4	08MY From (V) A09110

DB9 - STEERING SYSTEM

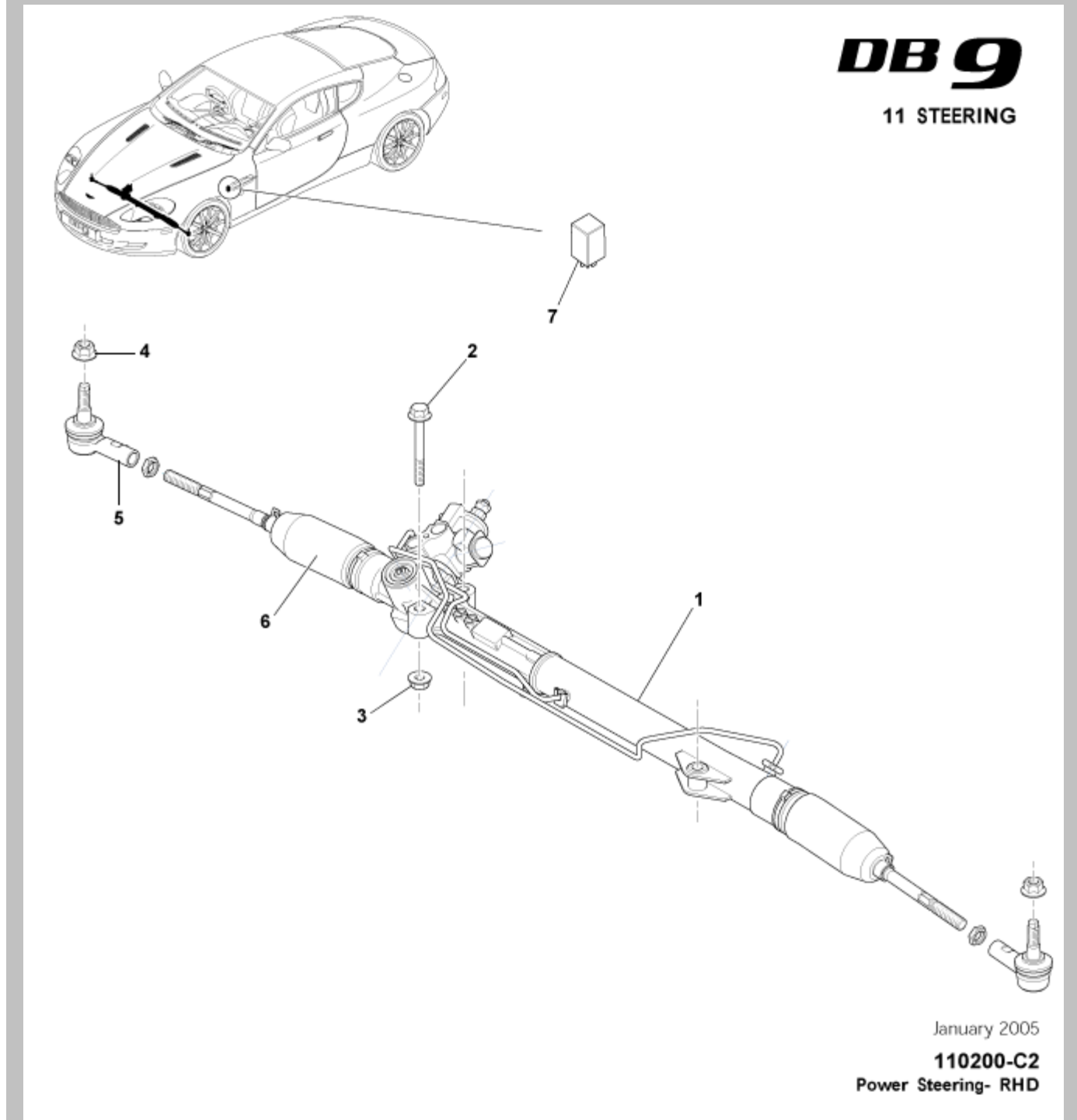


Power Steering - LHD

Item	Part Number	Description	Qty	Remarks
1	6G43-3200-AB	Power steering rack, LHD	1	6.5MY onwards
2	701657	Bolt, flg, M12 x 90	3	07MY
-	703180	Bolt, flg, M12 x 90	3	08MY From (V) A09110

3	701183	Nut, flg, M12	3	07MY
-	703565	Nut, flg, M12	3	08MY From (V) A09110
4	701347	Nut, nyloc, M14	2	07MY
-	703136	Nut, nyloc, M14	2	08MY From (V) A09110
5	4G43-3289-AA	Track rod end	2	-
-	4G43-3N807-AB	Nut, locking	2	-
6	4G43-3C560-AA	Bellows kit, includes clips	2	-
7	4G43-3F826-AC	Module, power steering control	1	6.5MY
-	6G43-3F826-AB	Module, power steering control	1	07MY
-	4G43-3D701-AA	Transfer pipe kit	1	-
-	4G43-3C309-AB	Latch plate and screw kit	1	-
-	4G43-3K215-AB	Transducer, pressure	1	-
-	699999S	Fluid, power steering, 20l	1	-
-	6G33-19H373-BA	Fluid, power steering, Pentosin	1	-From 10MY

DB9 - STEERING SYSTEM



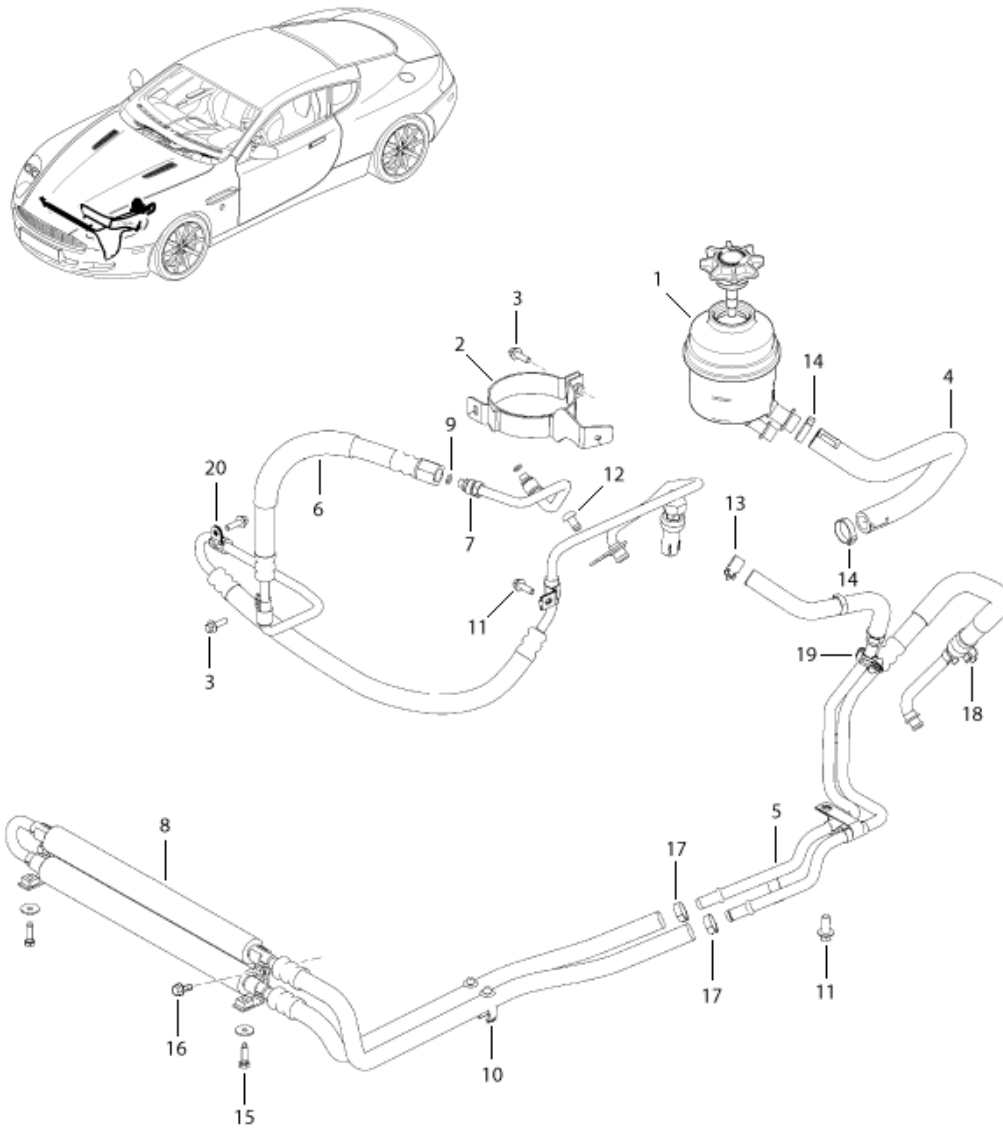
Power Steering - RHD

Item	Part Number	Description	Qty	Remarks
1	6G43-3200-BB	Power steering rack, RHD	1	6.5MY onwards
2	701657	Bolt, flg, M12 x 90	3	07MY
-	703180	Bolt, flg, M12 x 90	3	08MY From (V) A09110

3	701183	Nut, flg, M12	3	07MY
-	703565	Nut, flg, M12	3	08MY From (V) A09110
4	701347	Nut, nyloc, M14	2	07MY
-	703136	Nut, nyloc, M14	2	08MY From (V) A09110
5	4G43-3289-AA	Track rod end	2	-
-	4G43-3N807-AB	Nut, locking	2	-
6	4G43-3C560-AA	Bellows kit, includes clips	2	-
7	4G43-3F826-AC	Module, power steering control	1	6.5MY
-	6G43-3F826-AB	Module, power steering control	1	07MY
-	4G43-3D702-AA	Transfer pipe kit	1	-
-	4G43-3C309-AB	Latch plate and screw kit	1	-
-	4G43-3K215-AB	Transducer, pressure	1	-
-	699999S	Fluid, power steering, 20l	1	-
-	6G33-19H373-BA	Fluid, power steering, Pentosin	1	-From 10MY

DB9

11 STEERING



April 2008
110203-C1
Hoses & Cooler Reservoir- LHD

Hoses & Cooler Reservoir - LHD

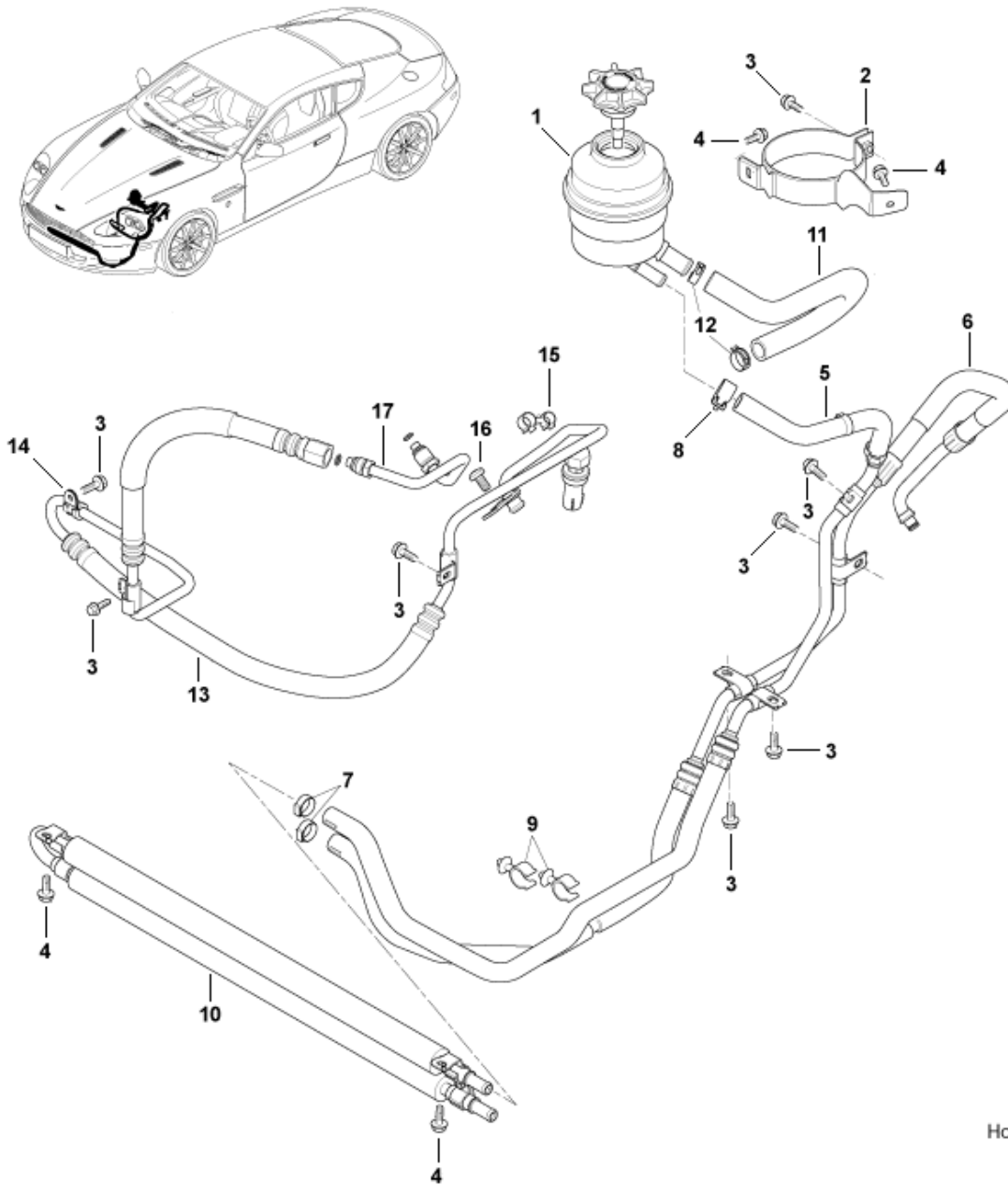
Item	Part Number	Description	Qty	Remarks
1	4G43-3R700-AA	Reservoir and cap assy	1	-
-	4G43-3R700-AA	Cap assy, power steering reservoir	1	-
2	4G43-3489-AC	Bracket, PAS oil reservoir	1	-
3	700099	Bolt, M6 x 20	3	07MY
-	703203	Bolt, M6 x 20	3	08MY From (V) A09110
4	4G43-3E525-AA	Hose assy, power steering reservoir	1	Reservoir to Pump
5	4G43-3A713-AC	Tube assy, PAS return	1	-
6	4G43-3A719-AD	Hose assy, PAS pressure line	1	Pump to GR LH

7	4G43-3494-AA	Tube assy, power steering pump	1	-
8	4G43-3D746-AC	Cooling loop, power steering, LHD	1	-
9		'O' Ring	2	Power Steering Pump Outlet
10	4G43-6C727-AA	Clip	3	-
11	700123	Screw M8 x 20	6	07MY
-	703121	Screw M8 x 20	6	08MY From (V) A09110
12	701348	M8, pan head	1	07MY
-	703141	M8, pan head	1	08MY From (V) A09110
13	701349	Clamp, 20 dia	1	-
14	699545	Clamp, Oetiker	2	-
15	6G33-FA0115-AB	Screw & washer, M6 x 21	2	-
16	700099	Screw, M6	2	Cooling Loop
17	699994	Clamp	2	-
18	4G43-105050-AA	Clip, double, Raymond	1	-
19	701180	Clip, 14.0 x 4 opening, push in	1	-
20	694891	P clip	1	-
-	37-86250	Edge protection strip	1	-

DB9 - STEERING SYSTEM

DB9

11 STEERING



March 2008

110203-C2

Hoses & Cooler Reservoir- LHD, 09MY

Hoses & Cooler Reservoir - LHD, 09MY

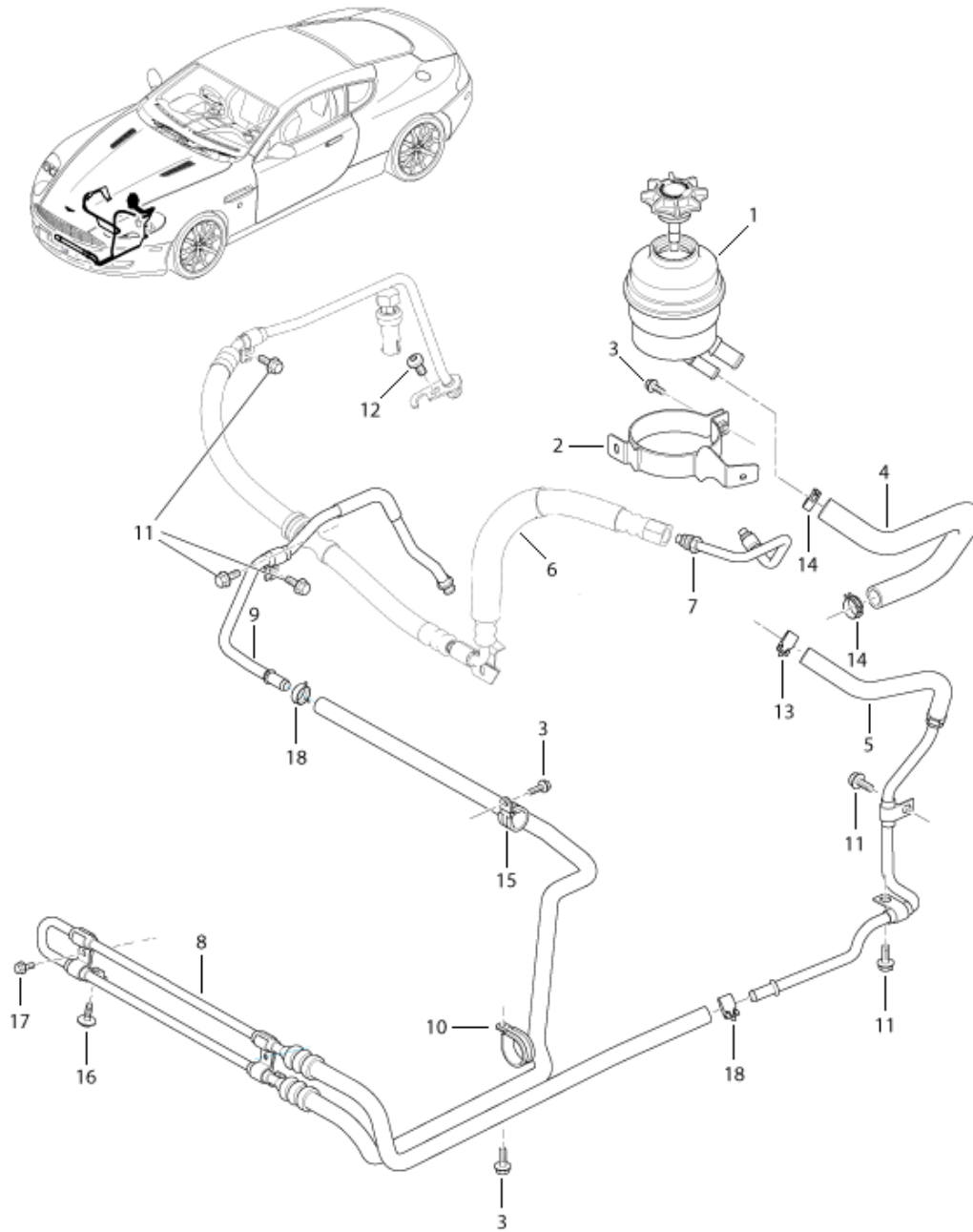
Item	Part Number	Description	Qty	Remarks
1	4G43-3R700-AA	Reservoir and cap assy	1	-
-	4G43-3R700-AA	Cap assy, power sreering reservoir	1	-
2	4G43-3489-AC	Bracket, reservoir	1	-
3	703203	Screw, flg, M6 x 25	5	-
4	703265	Screw, M6 x 16	2	-
5	8D33-3A713-AB	Hose assy, steering cooler to reservoir	1	-

6	8D33-3F558-AC	Hose assy, steering gear to cooler	1	-
7	8D33-60155-AA	Clamp, PAS hose	2	-
8	701349	Clamp	1	-
9	4G43-6C727-AA	Pipe clip	2	-
10	8D33-3D746-AB	PAS cooler assy	1	-
11	4G43-3E525-AA	Hose assy, reservoir	1	-
12	699545	Clamp, 24mm dia	2	-
13	4G43-3A719-AE	Hose assy, Power steering pump to GR, LH	1	-
14	694891	'P' Clip, 10mm	1	-
15	4G43-105050-AA	Clip, double pipe	1	-
16	703141	Screw, pan head	1	-
17	4G43-3494-AA	Tube assy, Power steering pump outlet	1	-
-		'O' Ring	2	Power Steering pump outlet
-	703121	Screw M8 x 20	4	-

DB9 - STEERING SYSTEM

DB9

11 STEERING



April 2008

110203-C3

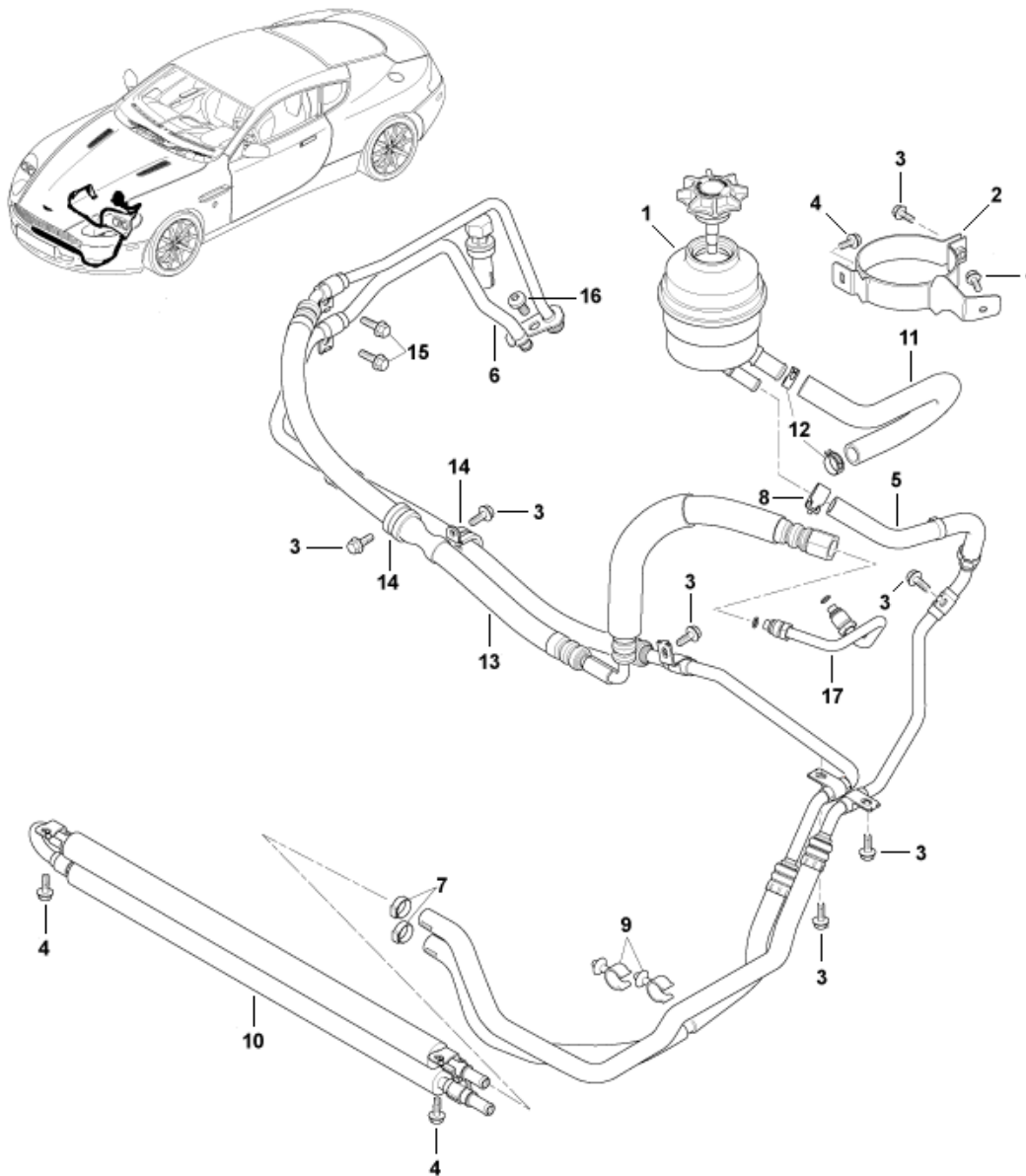
Hoses & Cooler Reservoir- RHD

Hoses and Cooler Reservoir - RHD

Item	Part Number	Description	Qty	Remarks
1	4G43-3R700-AA	Reservoir and cap assy	1	-
-	4G43-3R700-AA	Cap assy, power steering reservoir	1	-
2	4G43-3489-AC	Bracket, PAS oil reservoir	1	-
3	700250	Bolt, M6 x 16	3	07MY
3	703265	Bolt, M6 x 16	3	08MY From (V) A09110
4	4G43-3E525-AA	Hose assy, power steering reservoir	1	Reservoir to pump

5	4G43-3A713-BB	Tube assy, PAS return	1	-
6	4G43-3A719-BE	Hose assy, PAS pressure line	1	Pump to GR RH
7	4G43-3494-AA	Tube assy, power steering pump	1	-
8	4G43-3D746-BC	Cooling loop, power steering, RHD	1	-
9	4G43-3F558-BA	Return pipe, RHD	1	Gear to cooler
10	4G43-6C727-AA	Clip	3	-
11	700123	Screw M8 x 20	6	07MY
-	703121	Screw M8 x 20	6	08MY From (V) A09110
12	701348	Screw, M8, pan head	1	-
-	703141	M8, pan head	1	08MY From (V) A09110
13	701349	Clamp, 20 dia	1	-
14	699545	Clamp, Oetiker	2	-
15	699711	P Clip	2	-
16	6G33-FA0115-AB	Screw & washer, M6 x 21	2	-
17	700099	Screw, M6	3	Cooling loop
18	699994	Clamp	2	-
-	37-86250	Edge protection strip	1	-

DB9
11 STEERING



March 2008
110203-C4
Hoses & Cooler Reservoir- RHD, 09MY

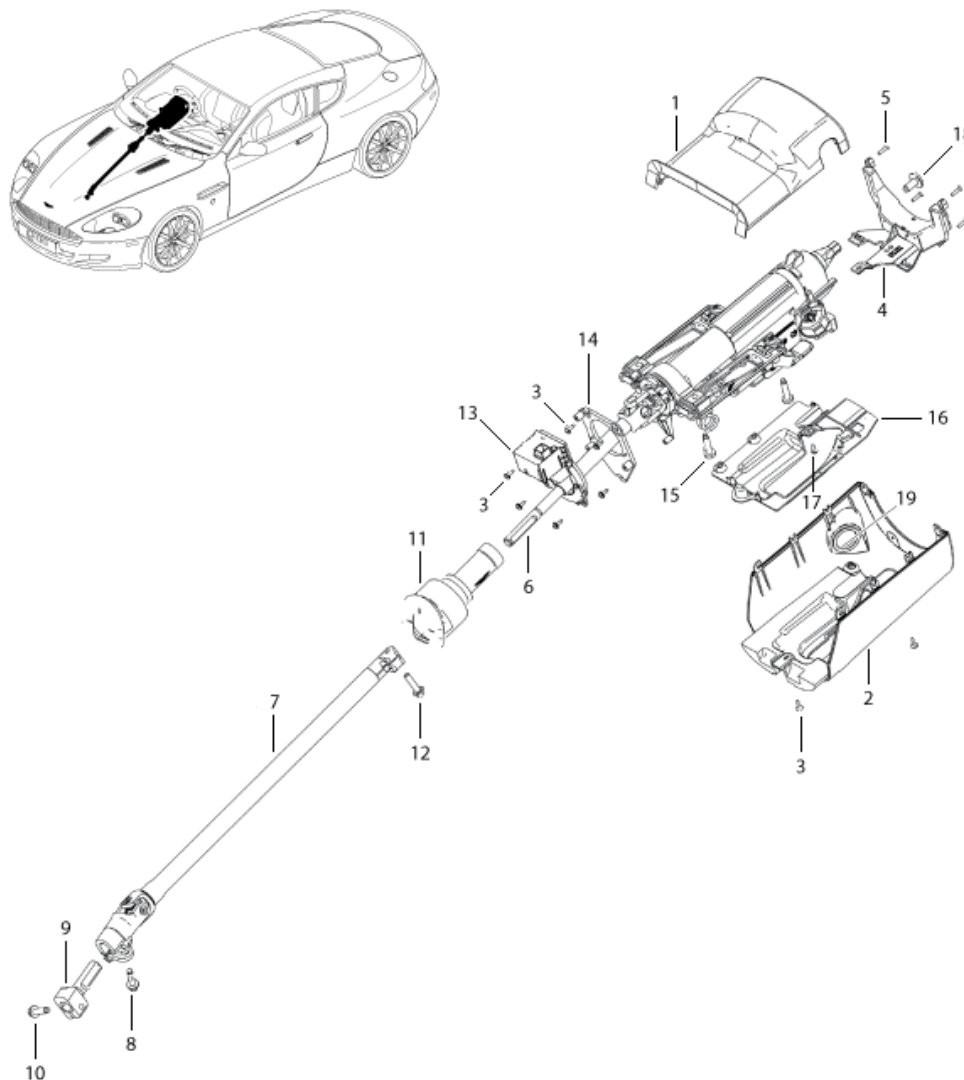
Hoses and Cooler Reservoir - RHD, 09MY

Item	Part Number	Description	Qty	Remarks
1	4G43-3R700-AA	Reservoir and cap assy	1	-
-	4G43-3R700-AA	Cap assy, power sreering reservoir	1	-
2	4G43-3489-AC	Bracket, reservoir	1	-
-	3703203	Screw, flg, M6 x 25	5	-
4	703265	Screw, M6 x 16	2	-
5	8D33-3A713-AB	Hose assy, steering cooler to reservoir	1	-
6	8D33-3F558-BB	Hose assy, steering gear to cooler	1	-
7	8D33-60155-AA	Clamp, PAS hose	2	-
8	701349	Clamp	1	-

9	4G43-6C727-AA	Pipe clip	2	-
10	8D33-3D746-AB	PAS cooler assy	1	-
11	4G43-3E525-AA	Hose assy, reservoir	1	-
12	699545	Clamp, 24mm dia	2	-
13	4G43-3A719-BE	Hose assy, Power steering pump to GR, LH	1	-
14	699711	'P' Clip, 23mm	2	-
15	703121	Screw M8 x 20	4	-
16	703141	Screw, pan head	1	-
17	4G43-3494-AA	Tube assy, Power steering pump outlet	1	-
-		'O' Ring	2	Power Steering pump outlet

DB9

11 STEERING



April 2008
110400-C1
Steering Column Assy

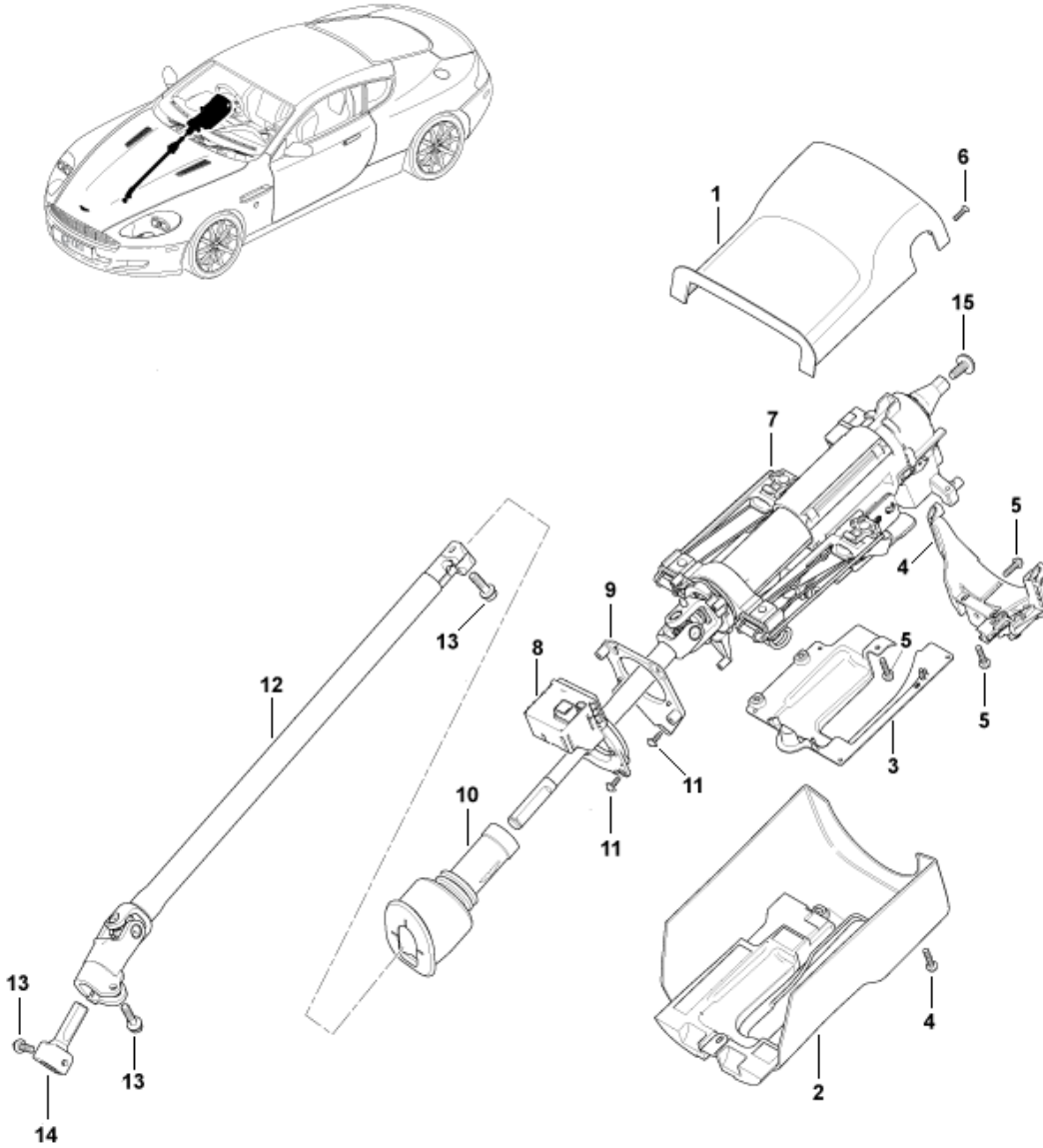
Steering Column Assy

Item	Part Number	Description	Qty	Remarks
1	4G43-3C695-BCW	Shroud assy, upper column	1	-
-	4G43-3F902-AC	Shroud assy, column shroud upper	1	-
-	4G43-3F900-AC	Shroud assy, column shroud lower, MANUAL	1	-
2	4G43-3533-BCW	Lower shroud assy, MANUAL	1	-
-	4G43-3K512-BCW	Lower shroud assy, AUTO	1	-
3	701354	Screw and washer, M3.5 x 13	11	-
4	4G43-3L508-AA	Insulation, fill plate, MANUAL only	1	-
5	701660	Screw, 4.2 x 13, MANUAL	1	-
6	4G43-3C529-AA	Column assy, steering, upper	1	Up to (V) B06365
-	4G43-3C529-AB	Column assy, steering, upper	1	From (V) B06366

7	4G43-3C662-AB	Shaft assy, steering column, lower	1	Up to (V) B06365
-	4G43-3C662-AC	Shaft assy, steering column, lower	1	From (V) B06366
8	701352	Bolt, M8 x 25, patch	1	07MY
-	703138	Bolt, M8 x 25, patch	1	08MY From (V) A09110
9	4G43-3N997-AC	Coupling, steering column shaft	1	-
10	702631	Screw, M8 x 25 triangular	1	-
-	701351	Screw, M8 x 34, power coupling to pinion	1	-
11	4G43-3D677-BA	Gaiter, steering column, RHD	1	-
-	4G43-3D677-AA	Gaiter, steering column, LHD	1	-
12	4G43-3C684-AB	Bolt, steering column clamp	1	-
13	4G43-3F818-AA	Sensor assy, steering rotation	1	-
14	4G43-ALR3219-AB	Bracket, steering angle sensor	1	-
15	701353	Screw, M8 x 30, column to XCB	4	-
16	4G43-11-10307	Plate, steering column, load spread	1	-
17	4G43-706203-AA	Screw, 3.5 x 15 pan washer, tapping	4	-
18	701355	Screw, M10 x 21.8	1	-
19	701569	Grommet, steering column ignition	1	-
-	699123	Screw, 4.2 x 13, tap, shroud to column front	1	-
-	6G33-3520-AA	Spring	1	-

DB9

11 STEERING



April 2008
110400-C2
Steering Column Assy 09MY

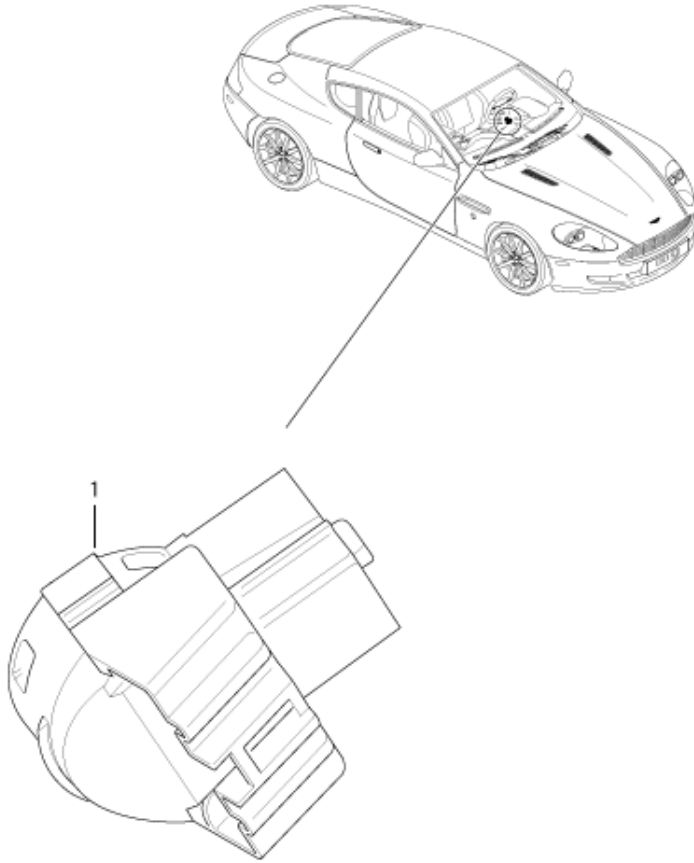
Steering Column Assy 09MY

Item	Part Number	Description	Qty	Remarks
1	8D33-3C695-BCW	Shroud assy, steering column upper	1	-
2	8D33-3533-ACW	Shroud assy, steering column lower, MANUAL	1	-
-	8D33-3K512-BCW	Shroud assy, steering column lower, AUTO	1	-
3	8D33-3E721-AB	Plate, steering column, load spread	1	-
4	8D33-3L508-BC	Insulation, fill plate	1	-
5	703736	Screw, 4.2 x 19 washer head	8	-
6	4G43-103081-BA	Screw, M4 x 16 socket, csk head	2	-
7	8D33-3C529-AB	Column assy	1	-

-	4G43-14C229-AA	Sensor, steering angle	1	-
9	4G43-ALR3219-AB	Bracket	1	-
10	4G43-3D677-AA	Gaiter	1	LHD
-	4G43-3D677-BA	Gaiter	1	RHD
11	701354	Screw, M3.5 x 13	6	-
12	4G43-3C662-AD	Shaft assy, steering column lower	1	-
13	4G43-3C684-AB	Bolt, steering column clamp	2	-
14	4G43-3N997-AC	Coupling, steering column shaft	1	-
15	701355	Screw, M10 x 21.8	1	-

DB9

11 STEERING



April 2004
110502-D1
Ignition Interlock Switch Assy-LHD

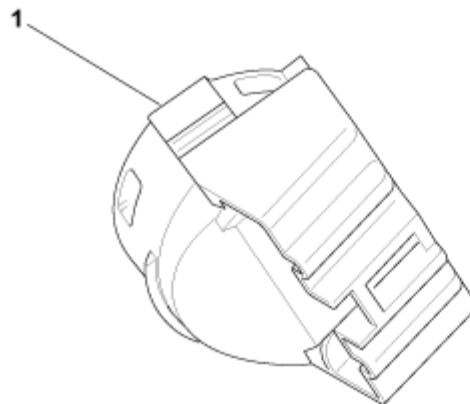
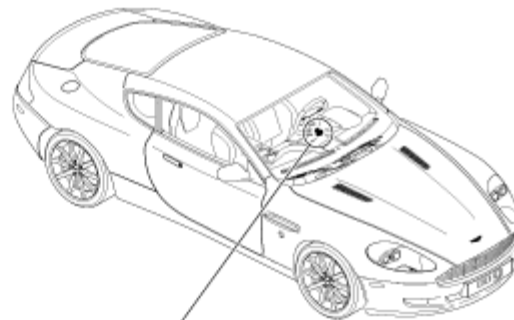
Ignition Interlock Switch Assy - LHD

Item	Part Number	Description	Qty	Remarks
1	4G43-11572-AB	Switch, ignition with key interlock	1	LHD Auto

DB9 Steering

DB9

11 STEERING



December 2003

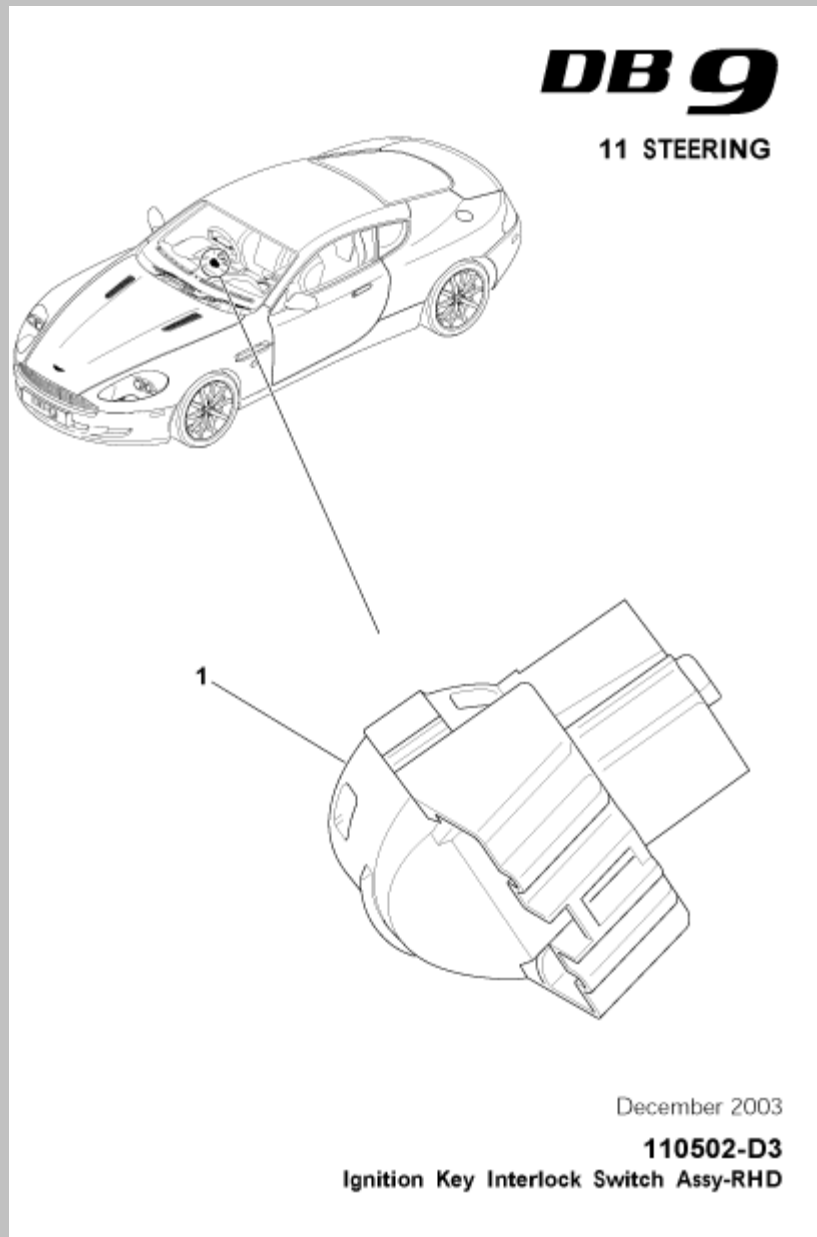
110502-D2

Ignition Without Key Interlock Assy -LHD

Ignition Without Key Interlock Assy - LHD

Item	Part Number	Description	Qty	Remarks
1	4G43-11572-BC	Switch, ignition without key interlock	1	LHD manual

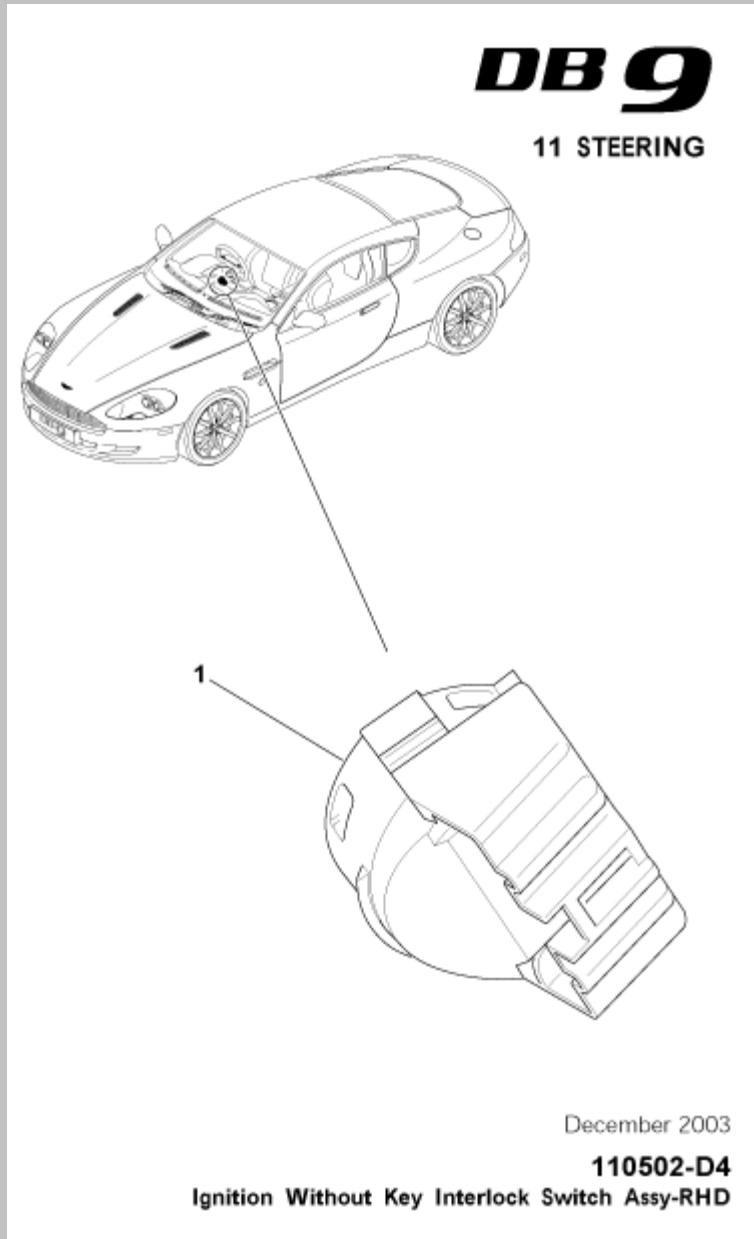
DB9 Steering



Ignition Key Interlock Switch Assy - RHD

Item	Part Number	Description	Qty	Remarks
1	4G43-11572-AB	Switch, ignition, key interlock	1	RHD Auto

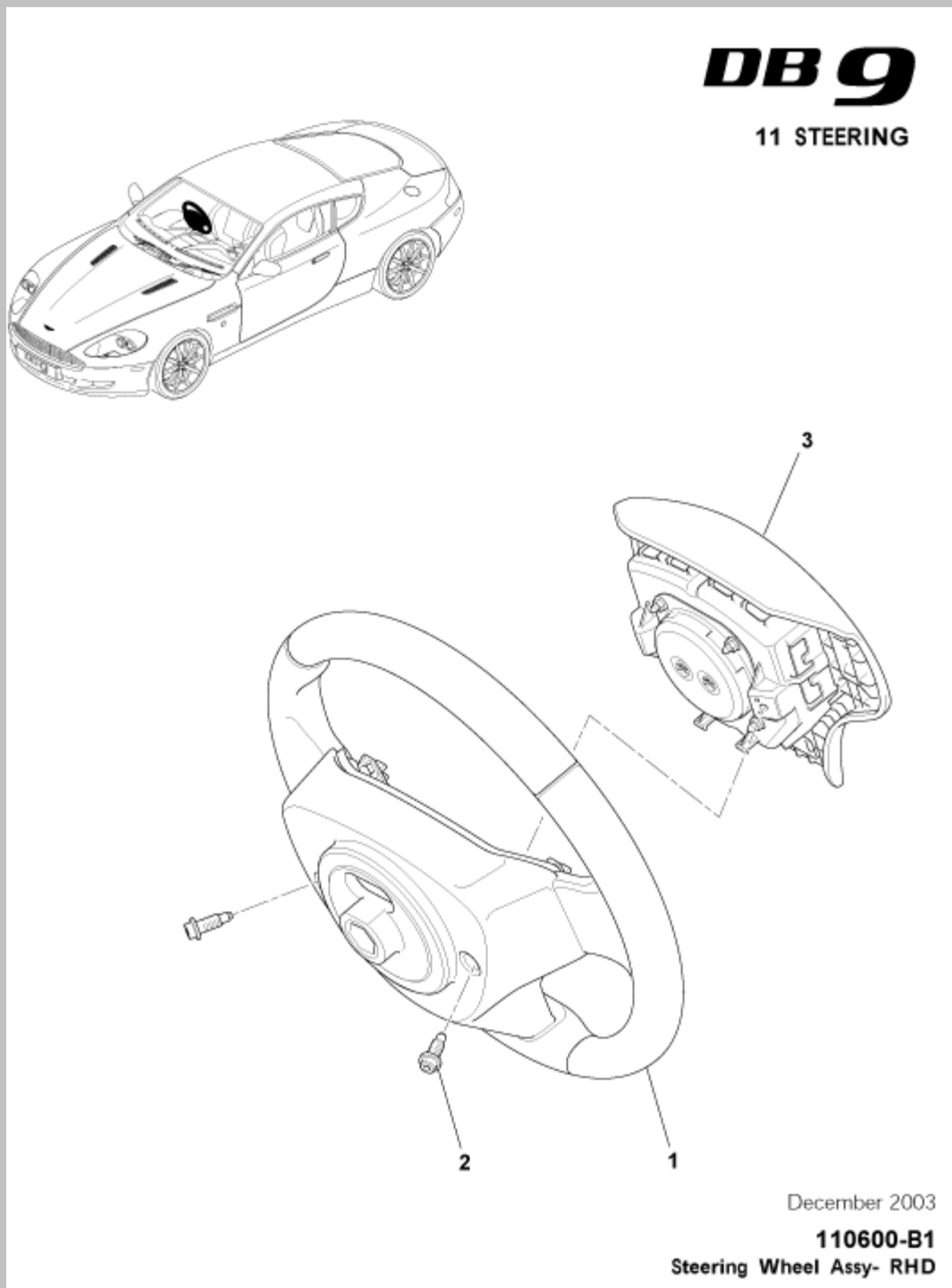
DB9 Steering



Ignition Without Key Interlock Switch Assy - RHD

Item	Part Number	Description	Qty	Remarks
1	4G43-11572-BC	Switch, ign, without key interlock	1	RHD manual

DB9 Steering



Steering Wheel Assy - RHD

Item	Part Number	Description	Qty	Remarks
1	4G43-3600-AB	Steering wheel assy	1	Standard Fit Black 07MY
-	8G43-3600-BA	Steering wheel assy	1	Standard Fit Black 08MY From (V) A09110
2	4G43-36005-AB	Fixing, airbag, M6	2	Airbag driver module

3

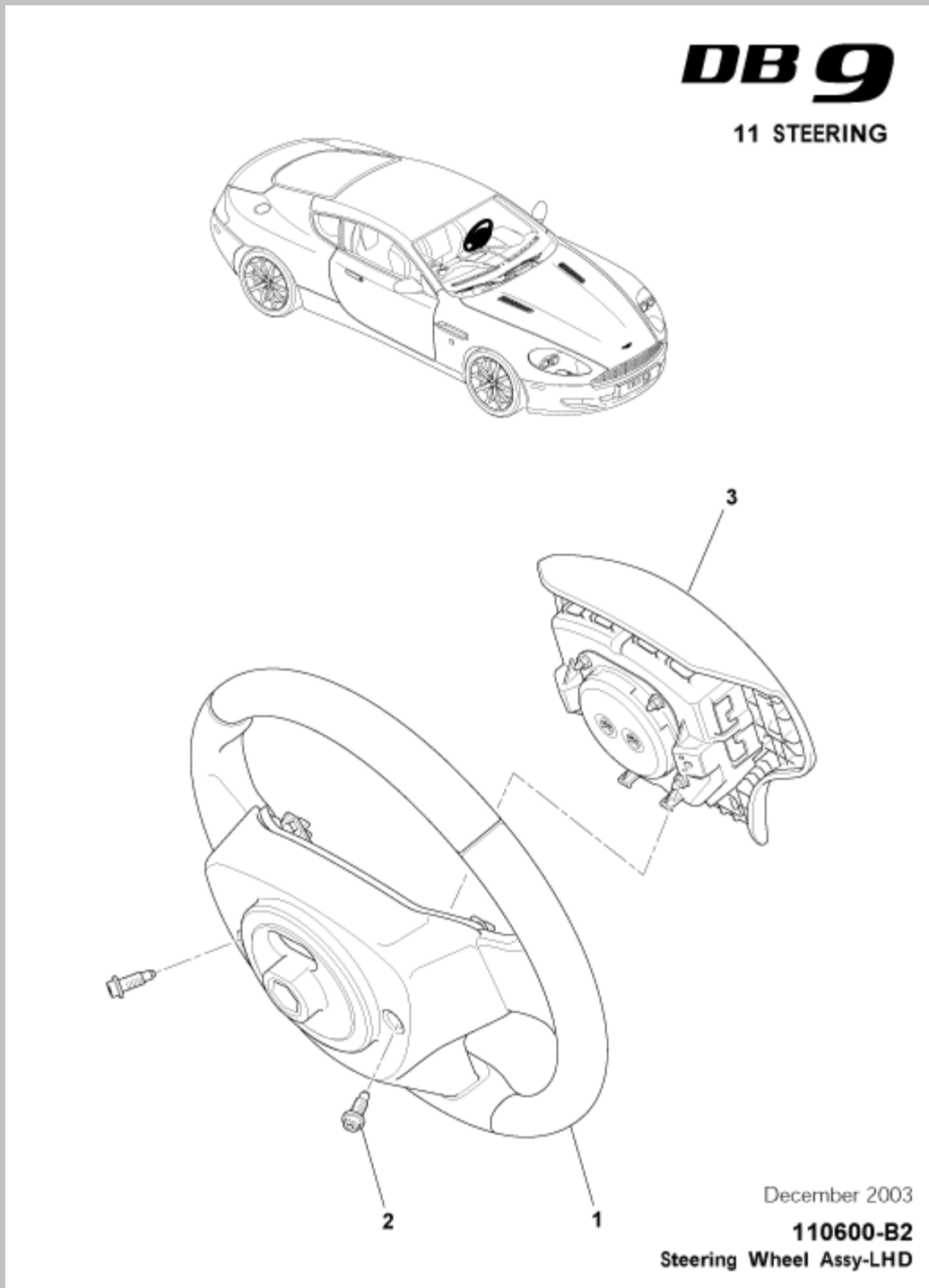
[4G43-042B85-AA](#)

Module, airbag assy

1

Standard Fit Black

DB9 Steering



Steering Wheel Assy - LHD

Item	Part Number	Description	Qty	Remarks
1	4G43-3600-BC	Steering wheel assy	1	Standard Fit Black 07MY
-	8G43-3600-BA	Steering wheel assy	1	Standard Fit Black 08MY From (V) A09110
2	4G43-36005-AB	Fixing, airbag, M6	2	Airbag driver module

3

[4G43-042B85-AA](#)

Module, airbag assy

1

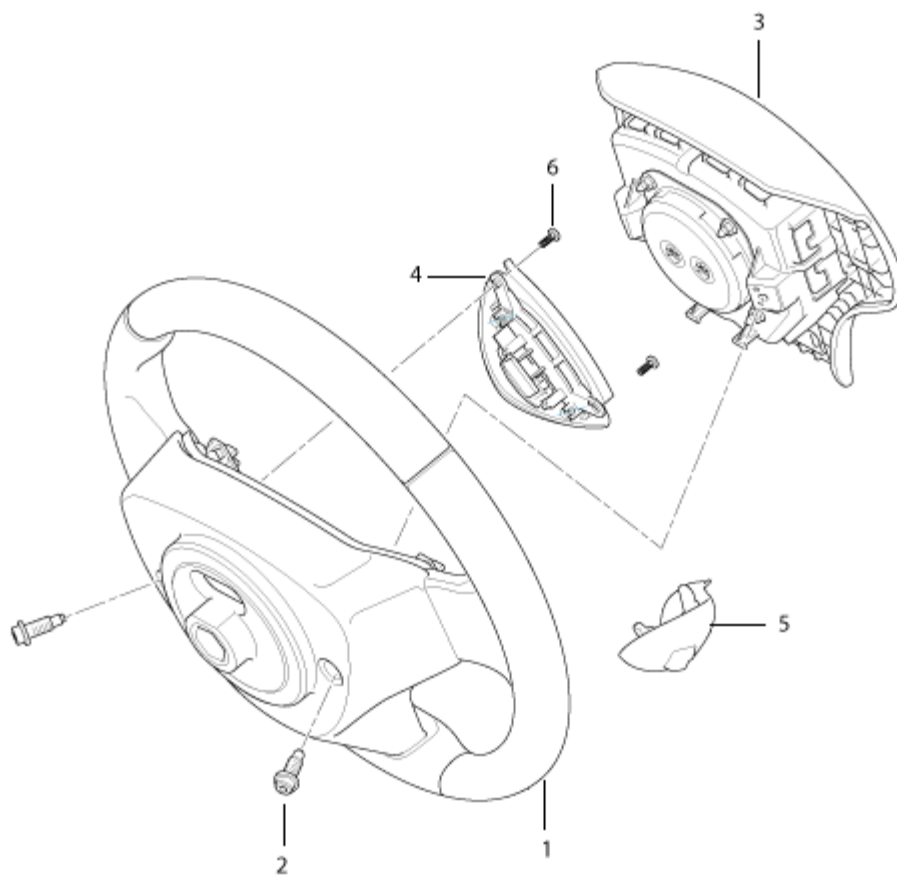
Standard Fit Black

DB9 - STEERING SYSTEM



DB9

11 STEERING



March 2006

110600-B3

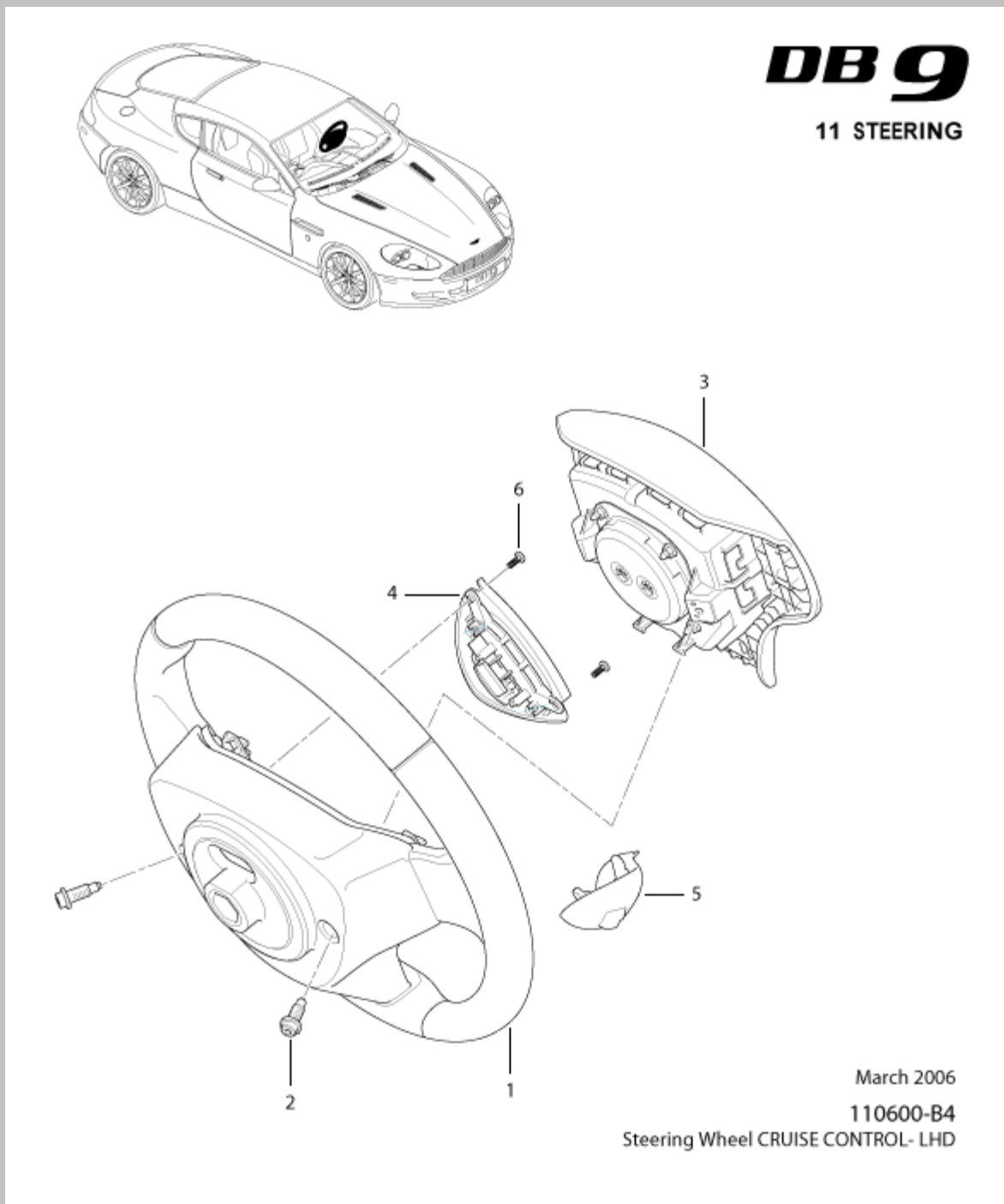
Steering Wheel CRUISE CONTROL- RHD

Steering Wheel Cruise Control - RHD

Item	Part Number	Description	Qty	Remarks
1	4G43-3600-BC	Steering wheel assy	1	Standard fit, Cruise 07MY
-	8G43-3600-BA	Steering wheel assy	1	Standard Fit Black 08MY From (V) A09110
	4G43-3600-			

-	DB	Steering wheel assy	1	Standard fit, Cruise/Bluetooth 07MY
-	8G43-3600-DA	Steering wheel assy	1	Standard fit, Cruise/Bluetooth + audio control 08MY From (V) A09110
-	6G43-3600-BB	Steering wheel assy	1	Perforated, Cruise 07MY
-	6G43-3600-DB	Steering wheel assy	1	Perforated, Cruise/Bluetooth 07MY
-	6G43-3600-BBW	Steering wheel assy, leather	1	Colour keyed, Cruise 07MY
-	9G43-3600-BAW	Steering wheel assy, leather	1	Colour keyed, Cruise 08MY From (V) A09110
-	6G43-3600-DBW	Steering wheel assy, leather	1	Colour keyed, Cruise/Bluetooth 07MY
-	9G43-3600-DAW	Steering wheel assy, leather	1	Colour keyed, Cruise/Bluetooth + audio control 08MY From (V) A09110
-	6G43-25-10540	Steering wheel, lthr - non standard colour	1	Upto 08My - special order
-	9G43-25-11108	Steering wheel, lthr - non standard colour	1	Post 08My - special order
2	4G43-36005-AB	Fixing, airbag, M6	2	Airbag driver module
3	4G43-042B85-AA	Module, airbag assy	1	-
4	4G43-14K147-ABW	Switch, cruise control	1	07MY
-	9G43-14K147-AA	Switch, cruise control	1	08MY From (V) A09110
5	4G43-13D767-AB	Switch, bluetooth, steering wheel mtd	1	07MY
-	9G43-14K147-BA	Switch, ICE/bluetooth, remote	1	08MY From (V) A09110
6		Screw, M4	2	Int lobe pan head

DB9 - STEERING SYSTEM



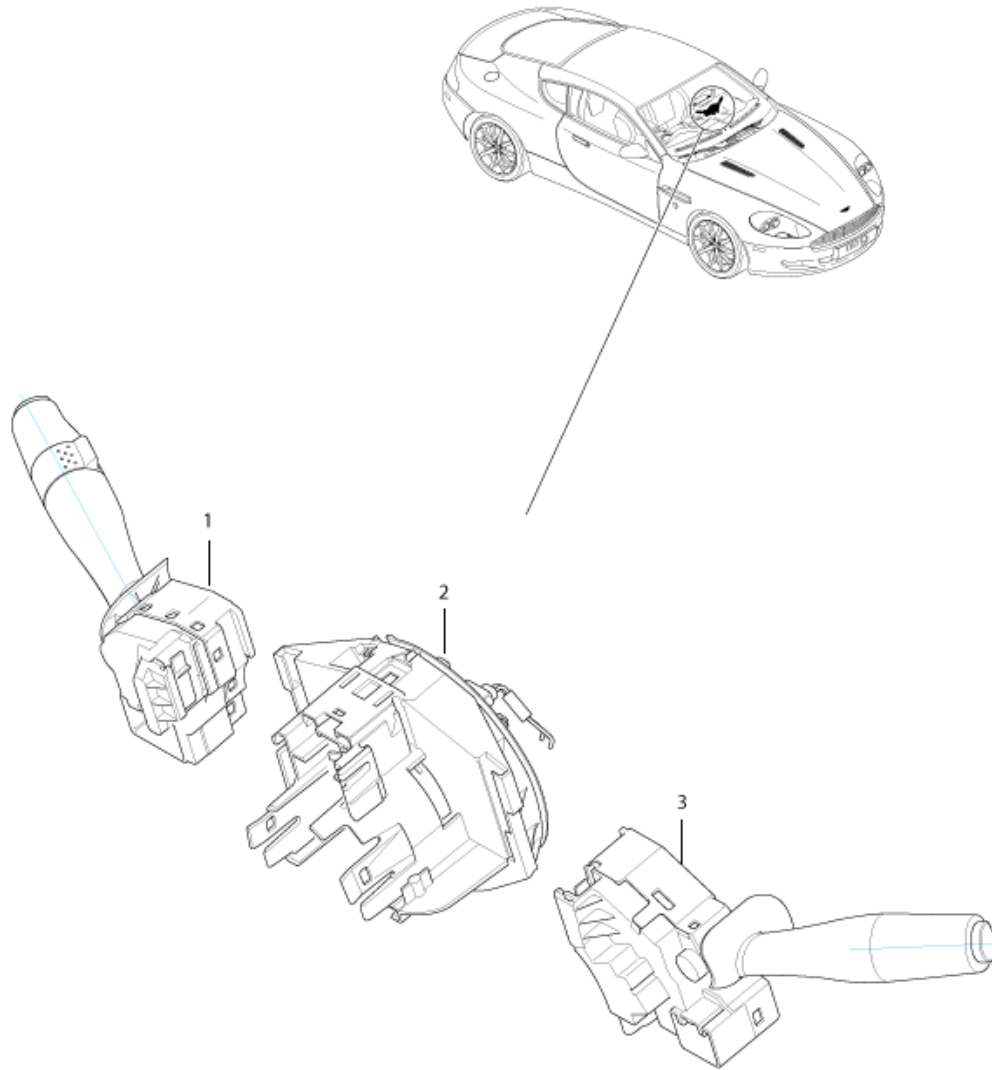
Steering Wheel Cruise Control - LHD

Item	Part Number	Description	Qty	Remarks
1	4G43-3600-BC	Steering wheel assy	1	Standard fit, Cruise 07MY
-	8G43-3600-	Steering wheel assy	1	Standard Fit Black 08MY From (V) A09110

	BA			
-	4G43-3600-DB	Steering wheel assy	1	Standard fit, Cruise/Bluetooth 07MY
-	8G43-3600-DA	Steering wheel assy	1	Standard fit, Cruise/Bluetooth + audio control 08MY From (V) A09110
-	6G43-3600-BB	Steering wheel assy	1	Perforated, Cruise 07MY
-	6G43-3600-DB	Steering wheel assy	1	Perforated, Cruise/Bluetooth 07MY
-	6G43-3600-BBW	Steering wheel assy, leather	1	Colour keyed, Cruise 07MY
-	9G43-3600-BAW	Steering wheel assy, leather	1	Colour keyed, Cruise 08MY From (V) A09110
-	6G43-3600-DBW	Steering wheel assy, leather	1	Colour keyed, Cruise/Bluetooth 07MY
-	9G43-3600-DAW	Steering wheel assy, leather	1	Colour keyed, Cruise/Bluetooth + audio control 08MY From (V) A09110
-	6G43-25-10540	Steering wheel, lthr - non standard colour	1	Upto 08My - special order
-	9G43-25-11108	Steering wheel, lthr - non standard colour	1	Post 08My - special order
2	4G43-36005-AB	Fixing, airbag, M6	2	Airbag driver module
3	4G43-042B85-AA	Module, airbag assy	1	-
4	4G43-14K147-ABW	Switch, cruise control	1	07MY
-	9G43-14K147-AA	Switch, cruise control	1	08MY From (V) A09110
5	4G43-13D767-AB	Switch, bluetooth, steering wheel mtd	1	07MY
-	9G43-14K147-BA	Switch, ICE/bluetooth, remote	1	08MY From (V) A09110
6		Screw, M4	2	Int lobe pan head

DB9

11 STEERING



November 2007

110602-D1

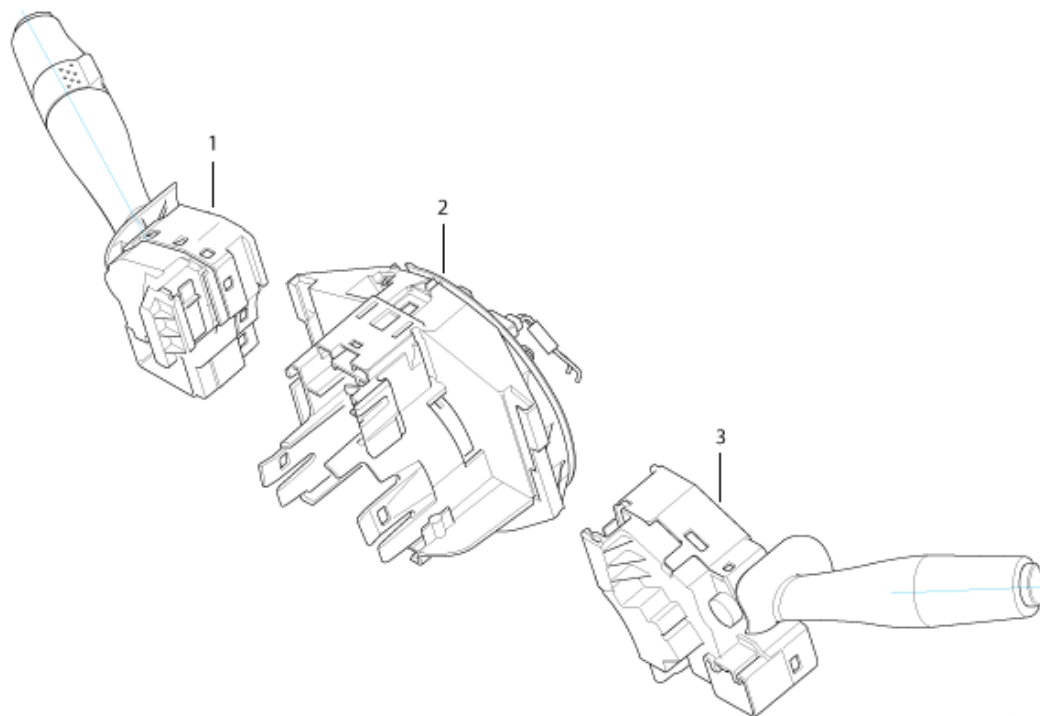
Steering Column Switchgear Assy-LHD

Steering Column Switchgear Assy - LHD

Item	Part Number	Description	Qty	Remarks
1	4G43-37-10905	Wiper/ Washer Stalk, RHS	1	-
2	4G43-37-10906	Clockspring Unit	1	-
3	4G43-37-10907	Indicator Stalk, LHS	1	-
-	6G33-3520-AA	Spring, steering column bearing	1	-

DB9

11 STEERING



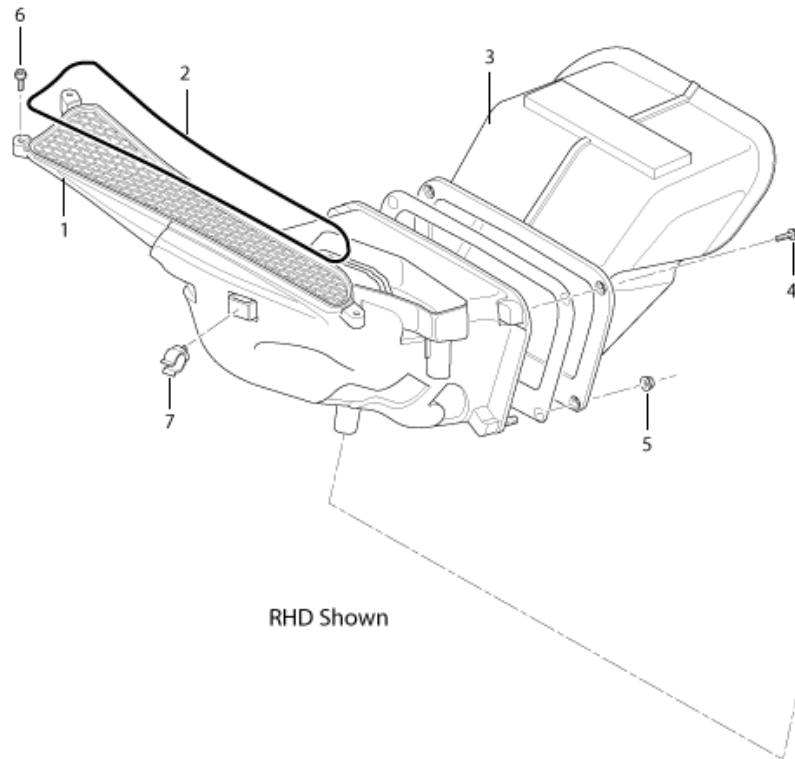
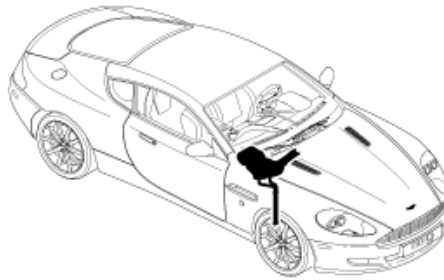
November 2007
110602-D2
Steering Column Switchgear Assy-RHD

Steering Column Switchgear Assy - RHD

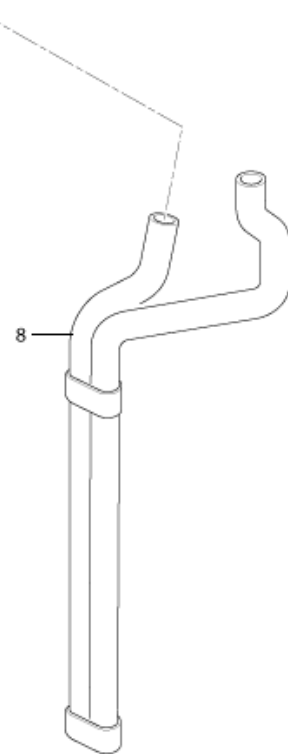
Item	Part Number	Description	Qty	Remarks
1	4G43-37-10905	Wiper/ Washer Stalk, RHS	1	-
2	4G43-37-10906	Clockspring Unit	1	-
3	4G43-37-10907	Indicator Stalk, LHS	1	-
-	6G33-3520-AA	Spring, steering column bearing	1	-

DB9

12 Climate Control



RHD Shown



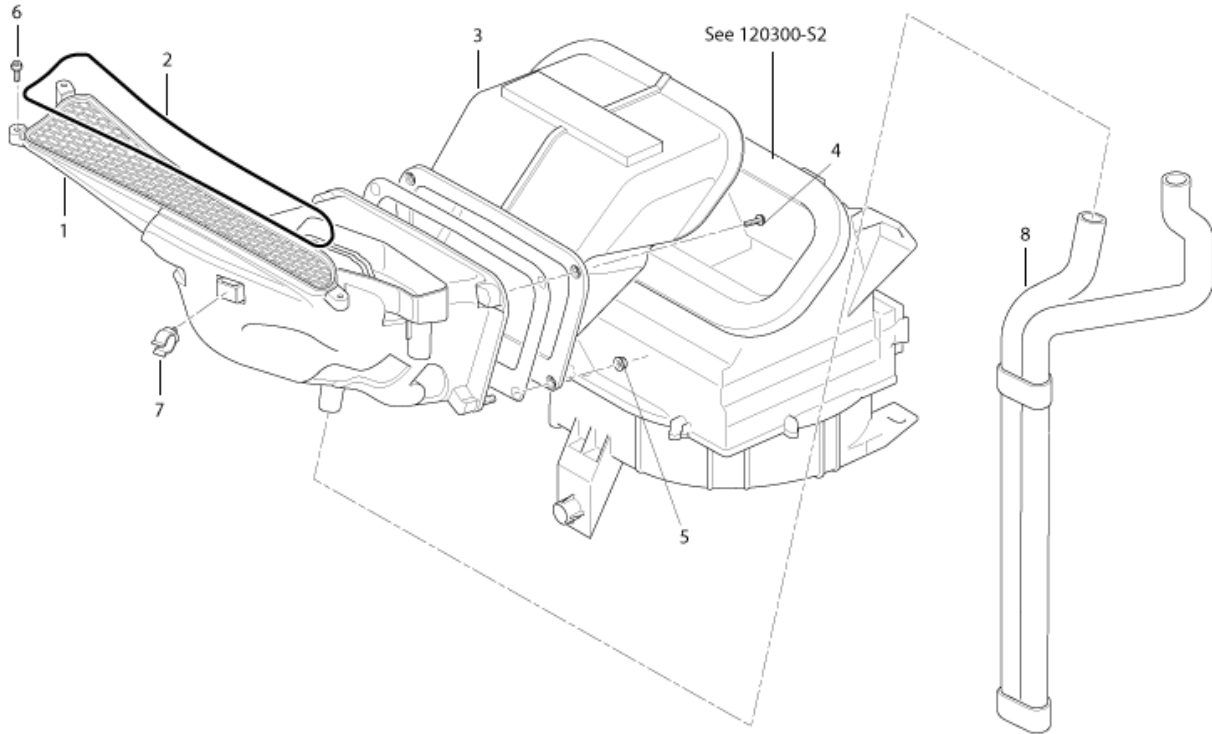
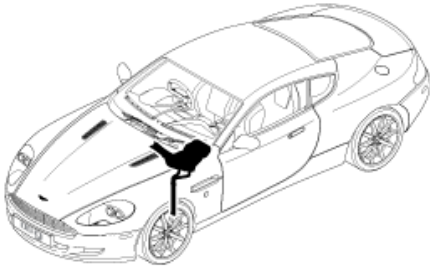
March 2006
120101-S1
Air Intake Duct- LHD

Air Intake Duct - LHD

Item	Part Number	Description	Qty	Remarks
1	4G43-18A622-AE	Duct assy, heater air inlet, LHD	1	-
2		Foam Seal, 3mm	1	-
3	4G43-18A660-AE	Duct assy, heater air inlet, passenger	1	-
4	702290	Screw, M6 x 20, heater to air duct	2	-
5	701170	Nut, M6, heater to air inlet duct	2	-
6	702289	Screw, M4 x 16, air intake duct	3	-
7	701172	A/C Clip	1	-
8	4G43-3810-CA	Tube assy, plenum drain, LHD	1	-

DB9

12 Climate Control

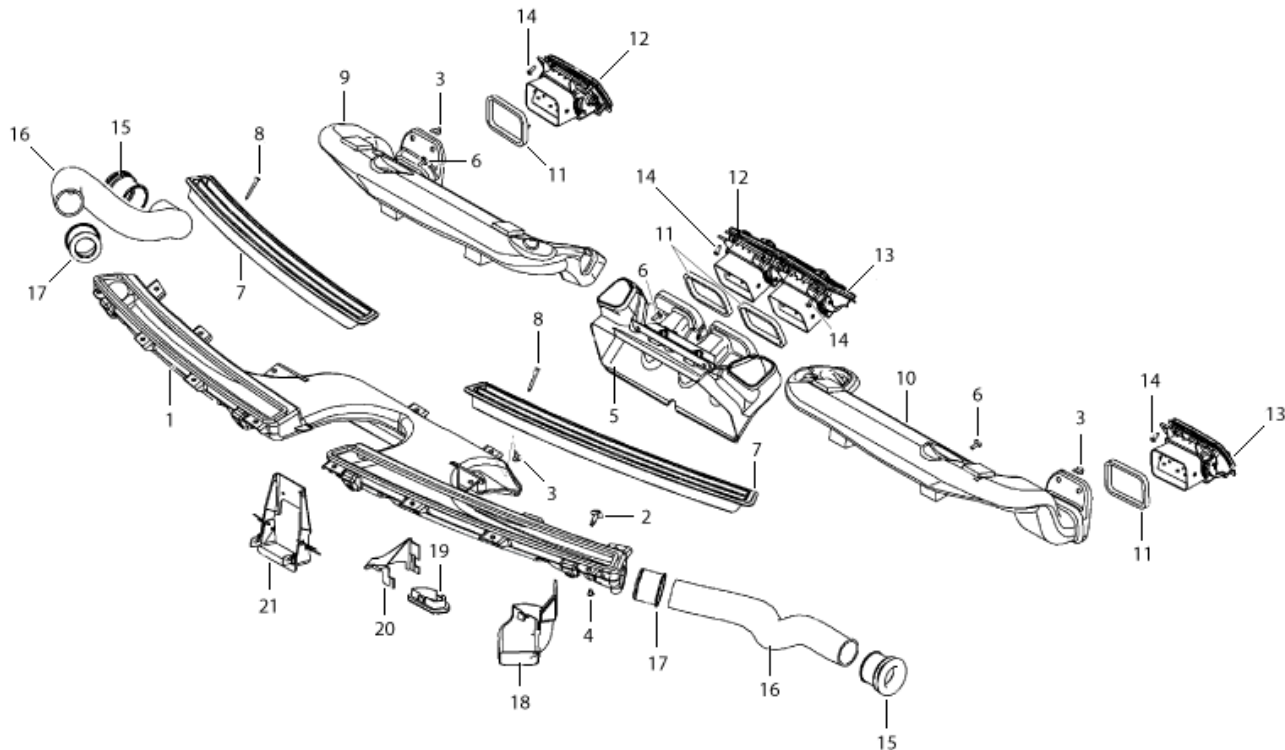
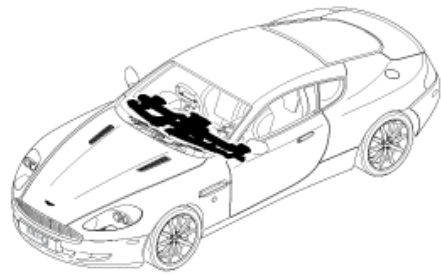


May 2007
120101-S2
Air Intake Duct- RHD

Air Intake Duct - RHD

Item	Part Number	Description	Qty	Remarks
1	4G43-18A621-AE	Duct assy, heater air inlet, RHD	1	-
2		'O' ring	1	-
3	4G43-18A660-AE	Duct assy, heater air inlet, passenger	1	-
4	702290	Screw, M6 x 20, heater to air duct	2	-
5	701170	Nut, M6, heater to air inlet duct	2	-
6	702289	Screw, M4 x 16, air intake duct	3	-
7	701172	A/C Clip	1	-
8	4G43-3810-BB	Tube assy, plenum drain, RHD	1	-

DB9
12 Climate Control



October 2007
120102-B1
Air Distribution Components-LHD/RHD

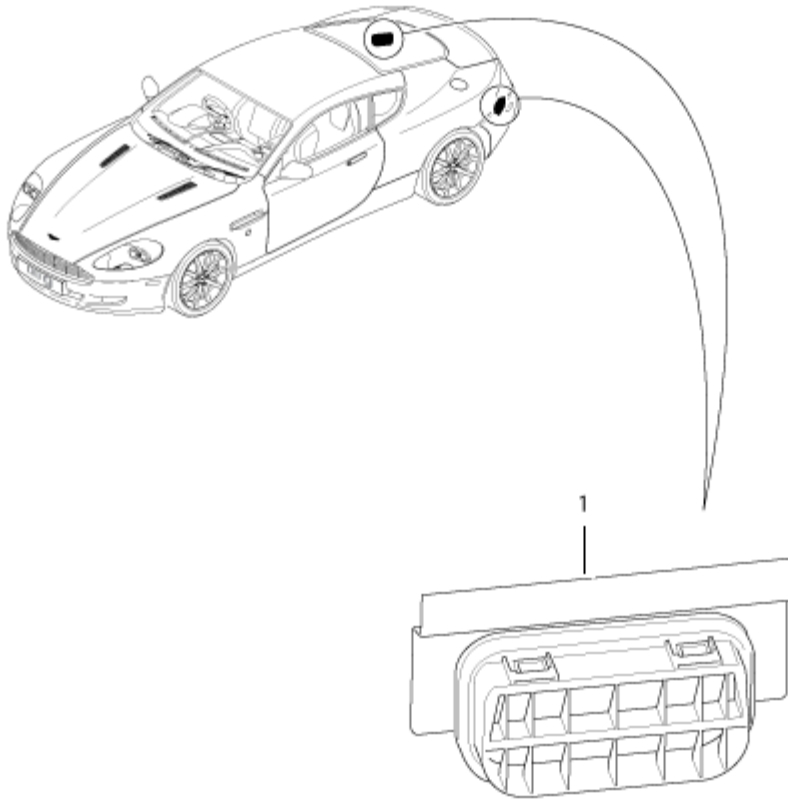
Air Distribution Assy - RHD

Item	Part Number	Description	Qty	Remarks
1	6G33-04432-AD	Duct assy, windshield deflector, LHD	1	-
-	6G33-04432-BD	Duct assy, windshield deflector, RHD	1	-
2	701433	Screw & washer, M6 x 18	4	08MY From (V) A09110
3	701157	Screw, 4.2 x 16 large washer head	6	08MY From (V) A09110
4	703068	Screw, 4.2 x 9 pan cllr int lob tap	12	08MY From (V) A09110
5	4G43-18D404-AD	Duct assy, heater air dist, centre, LHD	1	07MY
-	8G43-18D404-AB	Duct assy, heater air dist, centre, LHD	1	08MY From (V) A09110
-	4G43-18D404-BD	Duct assy, heater air dist, centre, RHD	1	07MY
-	8G43-18D404-BB	Duct assy, heater air dist, centre, RHD	1	08MY From (V) A09110
6	702943	Rivet, 3.2	4	08MY From (V) A09110
7	4G43-18C491-AH	Grille, window defrost	2	-

8	6G33-79231-AA	Screw, M3.5 x 38, pozi type	4	-
9	6G33-19C735-AB	Duct assy, RH, instrument panel	1	07MY
-	8G43-19C804-AC	Duct assy, RH, instrument panel	1	08MY From (V) A09110
-	6G33-19C850-AB	Duct assy, LH, instrument panel	1	07MY
10	8G43-19C805-AC	Duct assy, LH, instrument panel	1	08MY From (V) A09110
11	4G43-18D404-CA	Seal, vent air duct	4	-
12	4G43-046B30-AB	Rgstr assy, A/C RH	2	-
13	4G43-046B31-AB	Rgstr assy, A/C LH	2	-
14	701447	Screw, M4 x 12	12	08MY From (V) A09110
15	4G43-C046B80-AC	Seal, panel opening	2	-
16	4G43-19E658-AC	Hose, A/C side window demister	2	-
17	4G43-19E680-AD	Connector, A/C demister hose	2	-
-	4G43-014K00-BC	Footwell duct, LH	1	07MY
18	8G43-014K97-AB	Duct, assy vent air lower, LH, LHD	1	08MY From (V) A09110
-	8G43-014K97-BB	Duct, assy vent air lower, LH, RHD	1	08MY From (V) A09110
-	9D33-014K97-AA	Duct, assy vent air lower, LH, LHD	1	09MY
-	9D33-014K96-AA	Duct, assy vent air lower, LH, RHD	1	09MY
19	7G43-014K00-AA	Plug assy, foot duct outlet, LHD	1	-
-	4G43-014K00-DB	Footwell duct, RH	1	07MY
20	8G43-014K96-AB	Duct, assy vent air lower, RH, LHD	1	08MY From (V) A09110
-	8G43-014K96-BB	Duct, assy vent air lower, RH, RHD	1	08MY From (V) A09110
21	7G43-370807-AA	Assy tpm bracket	1	07MY
-	7G43-370807-AB	Assy tpm bracket	1	08MY From (V) A09110

DB9

12 Climate Control



May 2007

120103-B1

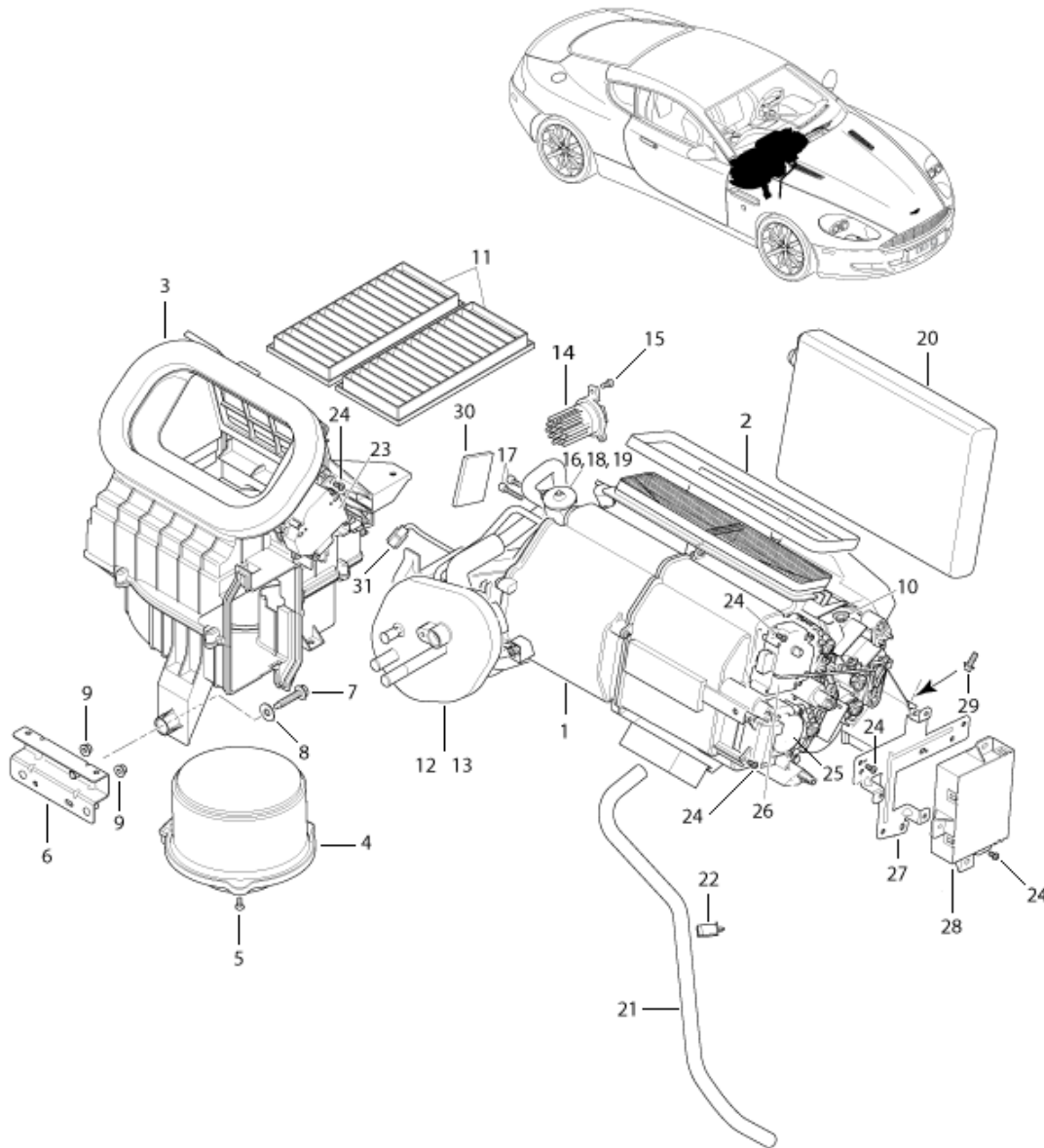
Air Distribution Components

Air Distribution Components

Item	Part Number	Description	Qty	Remarks
1	6G33-A019K51-AA	Grille, luggage compartment, vent air, outer	2	-
-	4G43-02286-AB	Cover, air extraction vent	2	-

DB9

12 Climate Control



December 2007

120300-S1
Evaporator and Heater - LHD

Evaporator and Heater - LHD

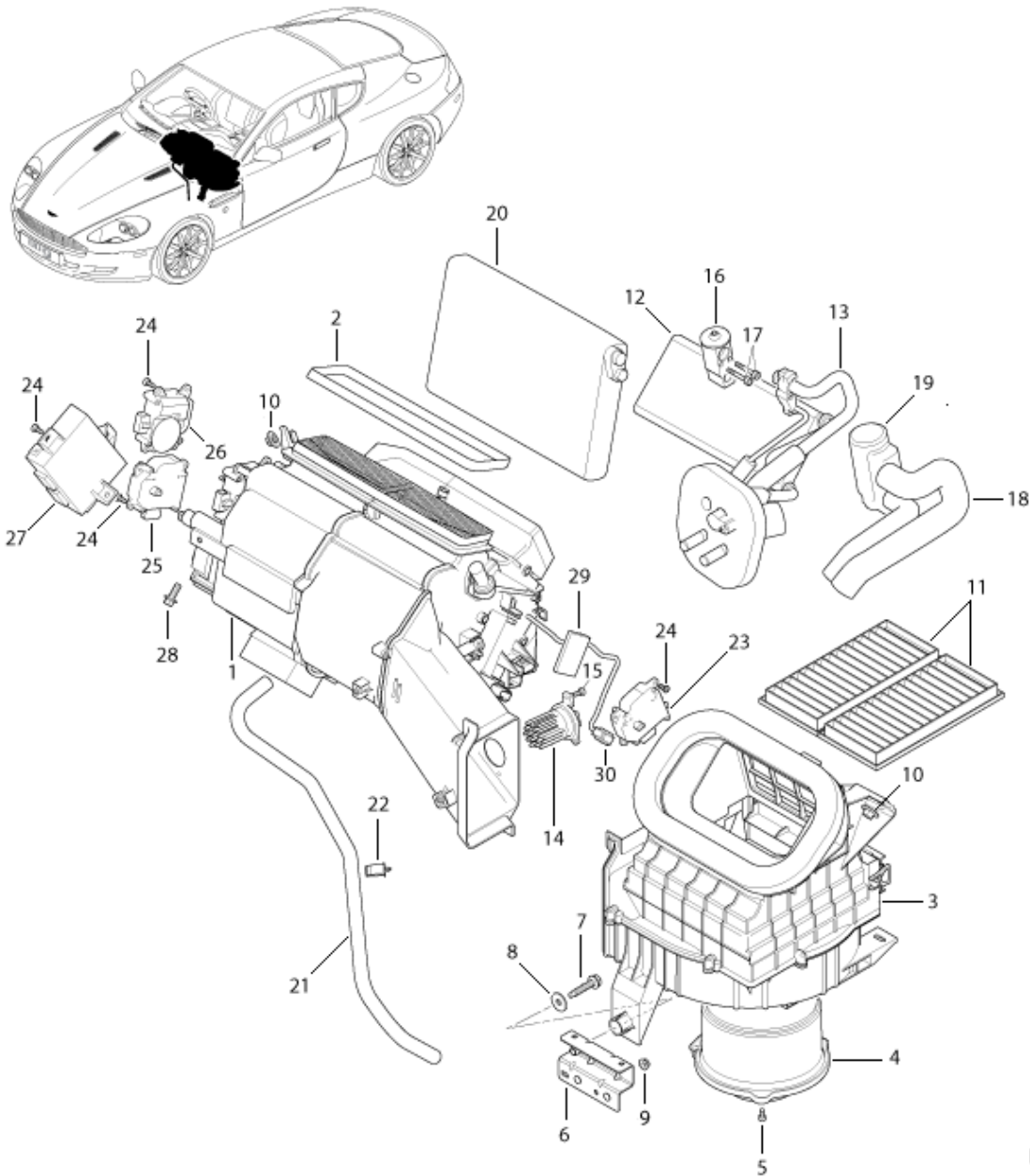
Item	Part Number	Description	Qty	Remarks
1	4G43-18N407-AD	Heater unit, including ECU, LHD	1	-
2	4G43-19N574-AA	Seal, air duct	1	-
3	4G43-19925-AB	Blower assy, LHD	1	-
4	4G43-19F613-AA	Motor and fan assy Air Conditioning, LHD	1	-
5	4G43-N104301-AA	Screw M5 x 16	3	-
6	4G43-18535-AE	Bracket, blower mounting, LHD	1	-
7	701177	Bolt, M8 x 35, HVAC to heater	1	-
8	697134	Washer, M8, HVAC to bracket	2	-
9	701170	Nut, flg, M6, HVAC to bracket	2	-

10	701178	Nut & Washer, M6, HVAC to XCB	5	-
11	4G43-13ZE1-AA-PK	Filter, pollen and odour	1	Box of 2
12	4G43-18D671-AA	Core & tube assy heater, LHD	1	-
13	4G43-19F616-AA	Evp & tube assy Air Conditioning, LHD	1	-
14	4G43-19F615-AA	T/str Air Conditioning	1	-
15	4G43-104084-AA	Screw, M5 x 16	2	-
16	4G43-19849-AA	Valve assy Air Conditioning evp exp	1	-
17	4G43-ALR8679-AA	Screw, M5 x 40	2	-
18	4G43-18D673-AA	Sealing, heater core tube to heater case	1	-
19	4G43-18D669-AA	Sealing, heater core	1	-
20	4G43-19850-AA	Evaporator assy Air Conditioning	1	-
21	4G43-19A699-AB	Drain tube, condensation, LHD	1	-
22	701172	Clip, drain tube to chassis	1	-
23	4G43-18A251-AA	Servo assy Air Conditioning heater fresh/recu air, LHD	1	-
24	4G43-104084-AA	Screw	12	-
25	4G43-18D675-AA	Servo assy Air Conditioning heater air mix, LHD	1	-
26	4G43-18E247-AA	Servo assy Air Conditioning heater mode, LHD	1	-
27	4G43-121205-AB	Bracket assy, ECU mounting	1	-
28	4G43-18C612-AA	Control assy, Air Conditioning & heater temperature	1	-
29	695563	Screw, Air Conditioning evaporator case cover	1	-
30	4G43-19B738-AA	Seal, Air Conditioning evaporator case cover	1	-
31	4G43-19F598-AA	Sensor, Air Conditioning evaporator temperature	1	-

DB9 - CLIMATE SYSTEM

DB9

12 Climate Control



December 2007

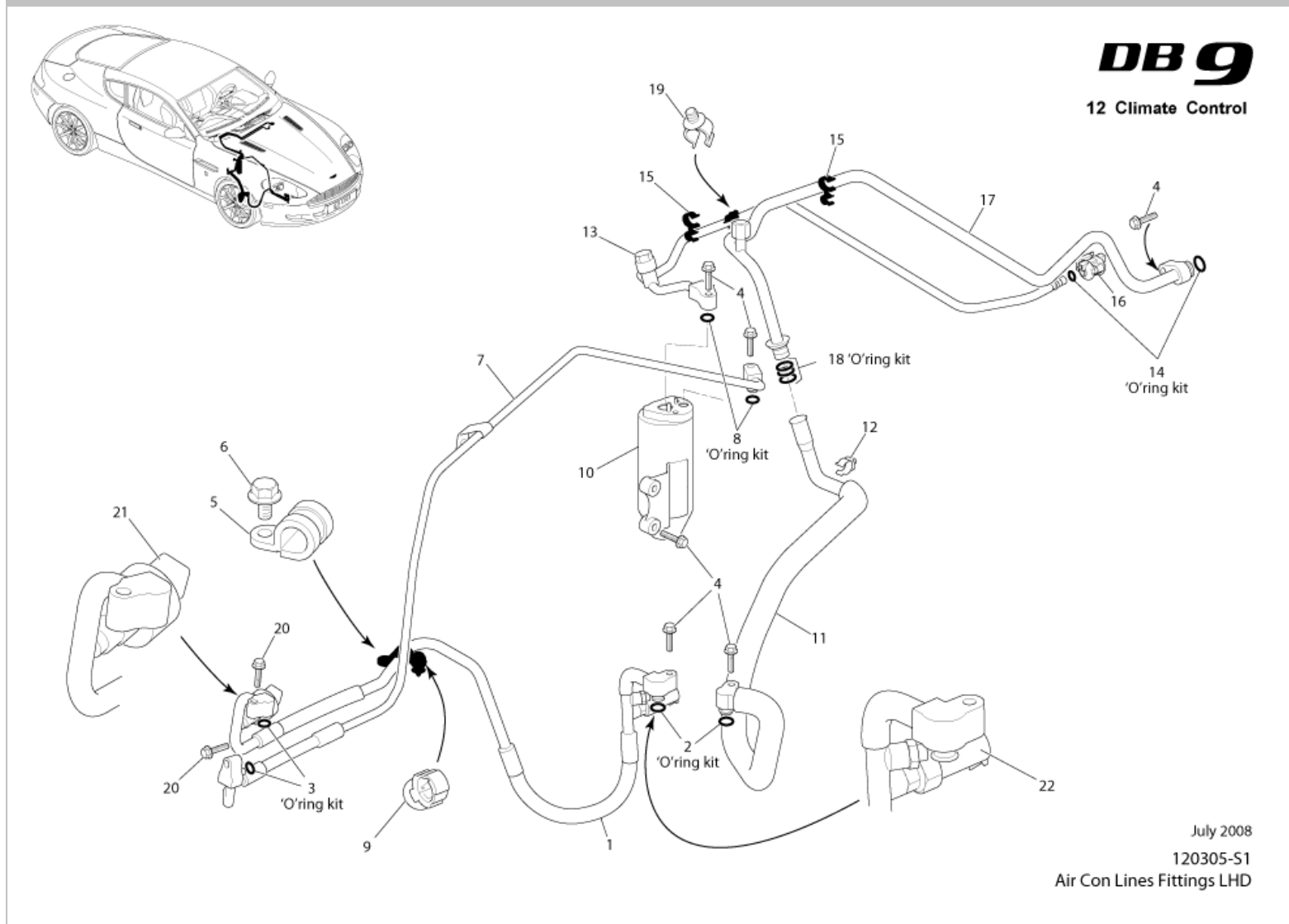
120300-S2

Evaporator and Heater - RHD

Evaporator and Heater - RHD

Item	Part Number	Description	Qty	Remarks
1	4G43-18N407-BC	Heater unit, including ECU, RHD	1	-
2	4G43-19N574-AA	Seal, air duct	1	-
3	4G43-19924-BB	Blower assy, RHD	1	-
4	4G43-19F612-AA	Motor and fan assy, Air Conditioning, RHD	1	-
5	4G43-N104301-AA	Screw, M5 x 16	3	-
6	4G43-18535-BE	Bracket, blower mounting, RHD	1	-

7	701177	Bolt, M8 x 35, HVAC to heater	1	-
8	697134	Washer, M8, HVAC to bracket	2	-
9	701170	Nut, flg, M6, HVAC to bracket	2	-
10	701178	Nut & Washer, M6, HVAC to XCB	5	-
11	4G43-13ZE1-AA-PK	Filter, pollen and odour	1	Box of 2
12	4G43-18A271-AA	Core & tube assy, heater, RHD	1	-
13	4G43-19862-AA	Evp & tube assy, Air Conditioning, RHD	1	-
14	4G43-19F615-AA	T/str Air Conditioning	1	-
15	4G43-104084-AA	Screw, M5 x 16	2	-
16	4G43-19849-AA	Valve assy, Air Conditioning evaporator exp	1	-
17	4G43-ALR8679-AA	Screw, M5 x 40	2	-
18	4G43-18D673-AA	Sealing, heater core	1	-
19	4G43-18D673-AA	Sealing, heater core tube to heater case	1	-
20	4G43-19850-AA	Evaporator assy, Air Conditioning	1	-
21	4G43-19A699-BB	Drain tube, condensation, RHD	1	-
22	701172	Clip, drain tube to chassis	1	-
23	4G43-18A250-AA	Servo assy, Air Conditioning heater fresh/recu air, RHD	1	-
24	4G43-104084-AA	Screw	12	-
25	4G43-18D674-AA	Servo assy, Air Conditioning heater air mix, RHD	1	-
26	4G43-18E246-AA	Servo assy, Air Conditioning heater mode, RHD	1	-
27	4G43-18C612-AA	Control assy, Air Conditioning & Heater temp	1	-
28	695563	Screw, M6 x 16, facia attach	1	-
29	4G43-19B738-AA	Seal, Air Conditioning evaporator case cover	1	-
30	4G43-19F598-AA	Sensor, Air Conditioning evaporator temperature	1	-



Air Con Line Fittings LHD

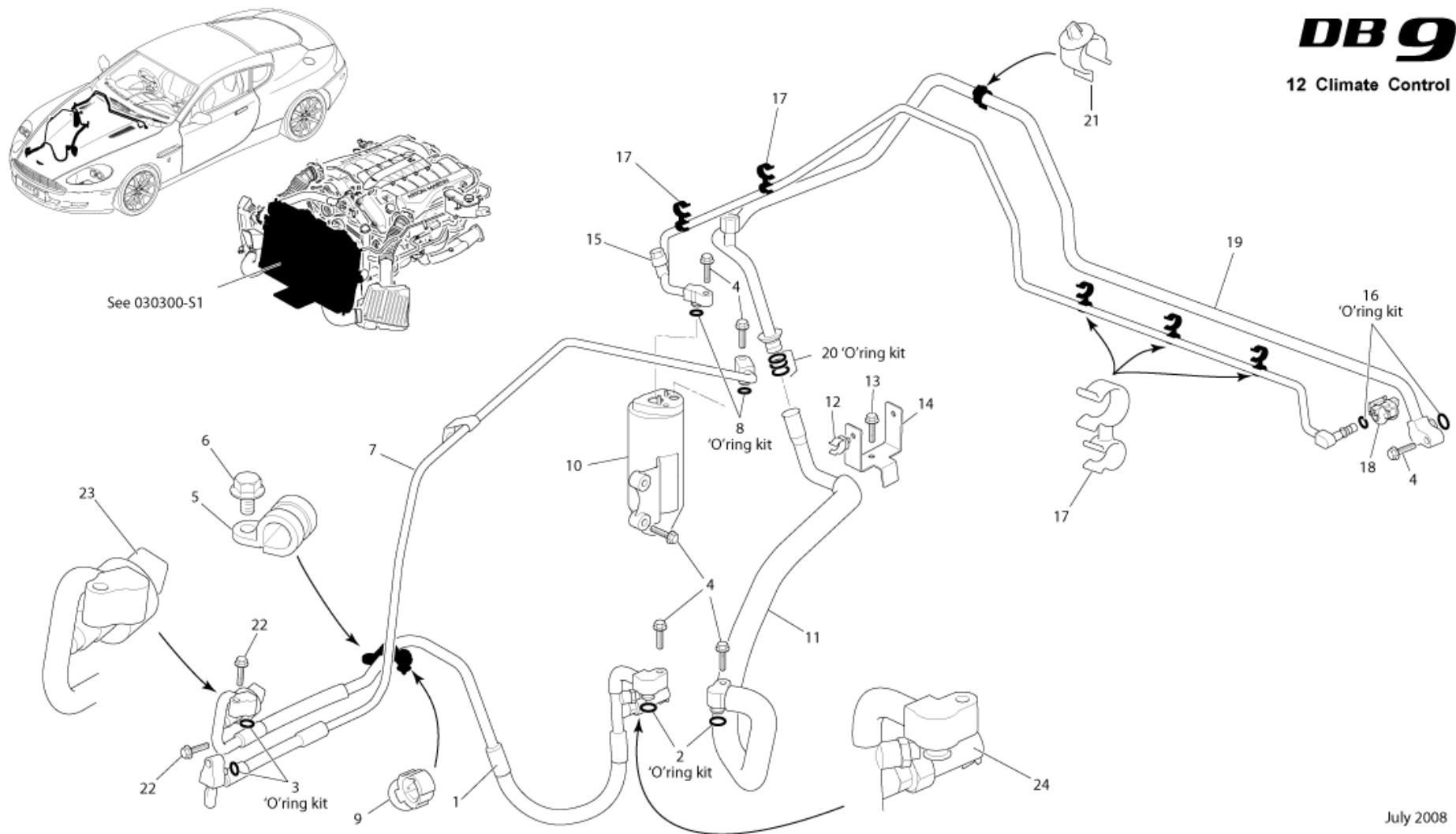
Item	Part Number	Description	Qty	Remarks
1	4G43-19972-BE	Tube assy, compressor to cond	1	Up to 17/9/07
-	7G43-19972-AA	Tube assy, compressor to cond	1	From 17/9/07
2	4G43-89-10909-PK	'O' ring kit	1	-
3	4G43-89-10910-PK	'O' ring kit	1	-
4	701150	Bolt, M6 x 30	7	07MY
-	703199	Bolt, M6 x 30	7	08MY From (V) A09110
5	699634	Clip, M6, 13mm	1	-
6	700099	Screw, flg, M6 x 20	1	07MY
-	703203	Screw, flg, M6 x 25	1	08MY From (V) A09110
7	4G43-19D719-AE	Tube assy, cond to receiver drier	1	-
8	4G43-89-10908-PK	'O' ring kit	1	-
9	701180	Clip, 14 x 4	3	-
10	4G43-19E891-AC	Tank, receiver dryer	1	-
11	4G43-19A705-AE	Tube assy, EVAP outlet	1	07MY

-	8G43-19A705-AA	Tube assy, evaporator outlet, lower	1	08MY From (V) A09110
12	701181	Clip, pipe	2	-
13	4G43-19835-BC	Tube, receiver drier to evap	1	07MY
-	8G43-19835-BA	Tube, receiver drier to evap	1	08MY From (V) A09110
14	4G43-89-10911-PK	'O' ring kit	1	-
15	701182	Clip, swivel	2	-
16	4G43-4073A-AA	Clamp	1	-
17	4G43-19A705-BC	Tube, EVAP outlet	1	07MY
-	8G43-19A705-BA	Tube assy, air conditioning evaporator outlet, upper	1	08MY From (V) A09110
18	4G43-89-10912-PK	'O' ring kit	1	-
19	4G43-65-10059	Clip, push in	1	-
20	699849	Screw, M8 x 30	2	07MY
-	703201	Screw, M8 x 30	2	08MY From (V) A09110
21	1R12-89-10192	Switch assy, AC, high/low pressure cut off	1	-
22	1R12-89-10193	Switch, AC, pressure switch	1	-
-	6L24-19D594-BA	Switch, AC, pressure switch	1	-
-	6F93-19D594-AA	Switch, AC, pressure switch	1	-
-	4G43-717B19-AB	Air conditioning refrigerant	A/R	-

DB9 - CLIMATE SYSTEM

DB9

12 Climate Control



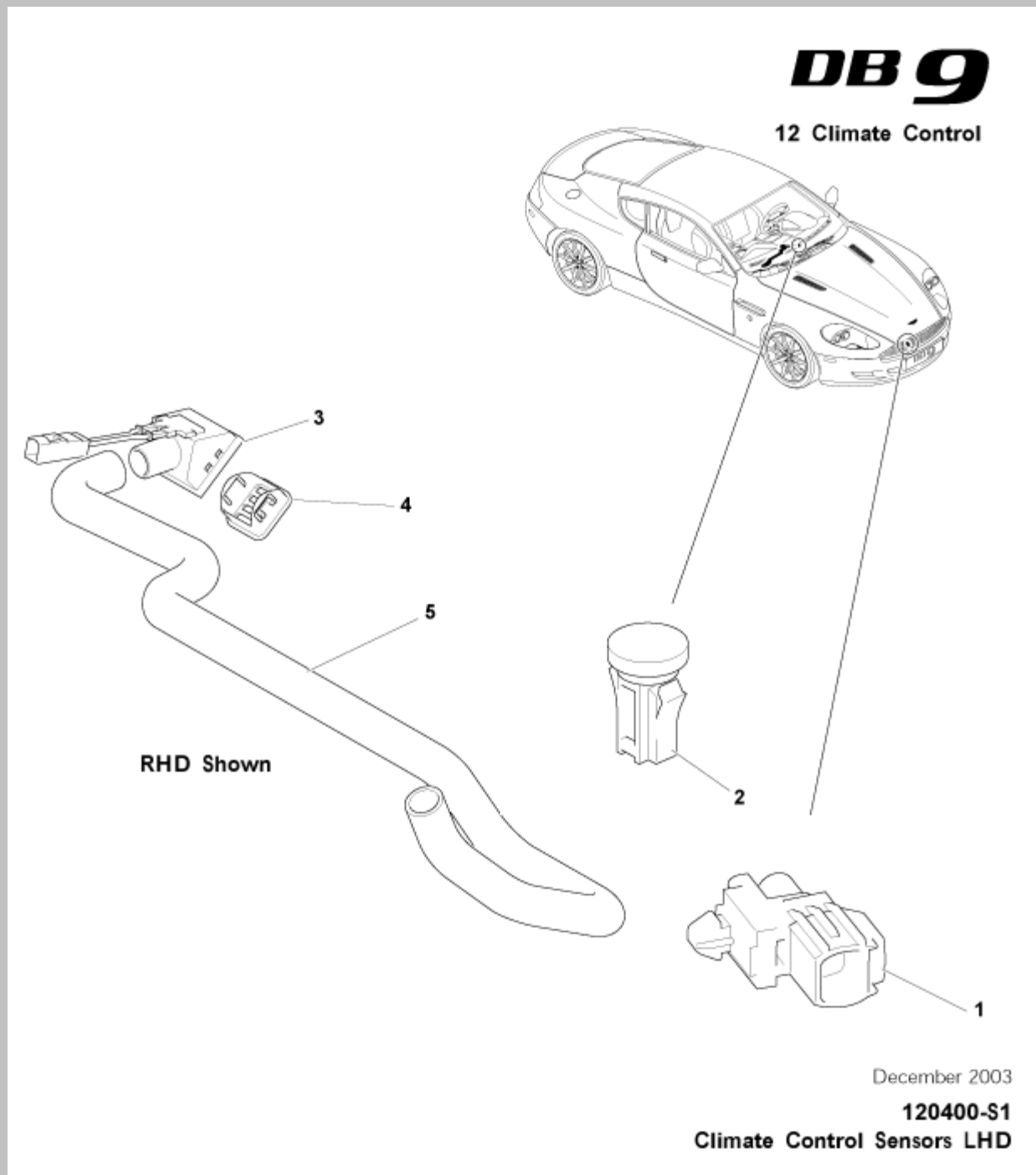
July 2008
120305-S2
Air Con Lines Fittings RHD

Air Con Line Fittings RHD

Item	Part Number	Description	Qty	Remarks
1	4G43-19972-BE	Tube assy, compressor to cond	1	Up to 17/9/07
-	7G43-19972-AA	Tube assy, compressor to cond	1	From 17/9/07

2	4G43-89-10909-PK	'O' ring kit	1	-
3	4G43-89-10910-PK	'O' ring kit	1	-
4	701150	Bolt, M6 x 30	7	-
-	703199	Bolt, M6 x 30	7	08MY From (V) A09110
5	699634	Clip, M6, 13mm	1	-
6	700099	Screw, flg, M6 x 20	1	07MY
-	703203	Screw, flg, M6 x 25	1	08MY From (V) A09110
7	4G43-19D719-AF	Tube assy, cond to receiver drier	1	-
8	4G43-89-10908-PK	'O' ring kit	1	-
9	701180	Clip, 14 x 4	3	-
10	4G43-19E891-AC	Tank, receiver dryer	1	-
11	4G43-19A705-AE	Tube assy, EVAP outlet	1	07MY
-	8G43-19A705-AA	Tube assy, evaporator outlet, lower	1	08MY From (V) A09110
12	701181	Clip, pipe	2	-
13	701196	Screw, flg, M6 x 16, bracket/structure	1	-
14	4G43-6147X-AD	Bracket assy	1	-
15	4G43-19835-CF	Tube, receiver drier to evap	1	07MY
-	8G43-19835-CA	Tube, receiver drier to evap	1	08MY From (V) A09110
16	6G43-89-10446-PK	'O' ring kit	1	-
17	701182	Clip, swivel	5	-
18	4G43-4073A-AA	Clamp	1	-
19	4G43-19A705-CD	Tube, EVAP outlet	1	07MY
-	8G43-19A705-CA	Tube assy, air conditioning evaporator outlet, upper	1	08MY From (V) A09110
20	4G43-89-10912-PK	'O' ring kit	1	-
21	701172	Clip, push in	3	-
22	699849	Screw, M8 x 30	2	07MY
-	703201	Screw, M8 x 30	2	08MY From (V) A09110
23	1R12-89-10192	Switch assy, AC, high/low pressure cut off	1	-
24	1R12-89-10193	Switch, AC, pressure sensor	1	-
-	6L24-19D594-BA	Switch, AC, pressure sensor	1	-
-	6F93-19D594-AA	Switch, AC, pressure sesor	1	-
-	4G43-717B19-AB	Air conditioning refrigerant	A/R	-

DB9 Climate Control

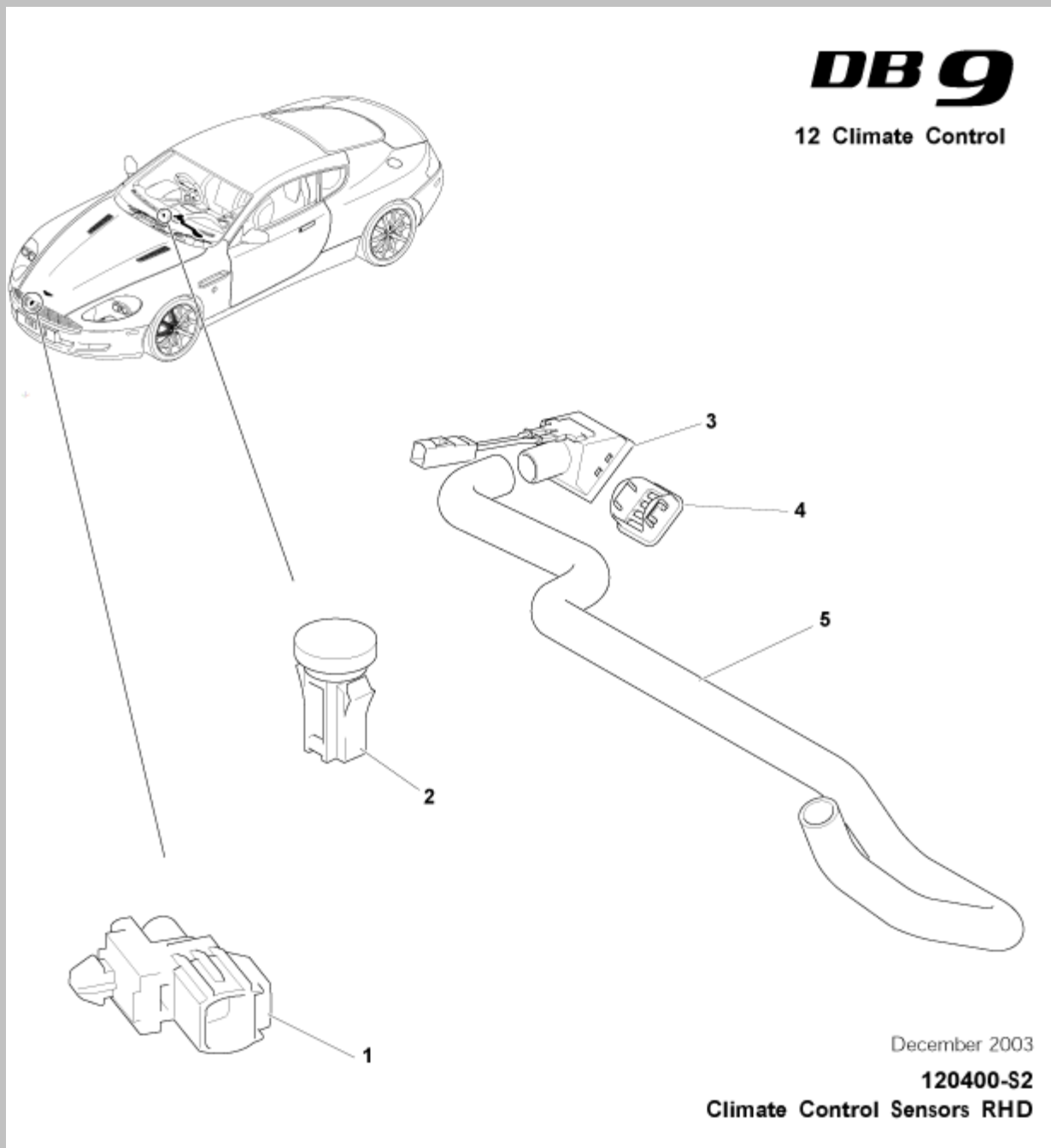


Climate Control Sensors LHD

Item	Part Number	Description	Qty	Remarks
1	4G43-19E642-AA	Sensor, ambient air temp	1	-
-	7G33-19E642-AA	Sensor, ambient air temp	1	From (V) B07578
2	4G43-19E663-AA	Sensor, solar load	1	-
3	1R12-89-10038	Housing, in car temp sensor	1	-

4	1R12-89-10045	Grille, aspirator	1	-
5	4G43-LBHP-BD	Hose, sniffer, LHD	1	-

DB9 Climate Control

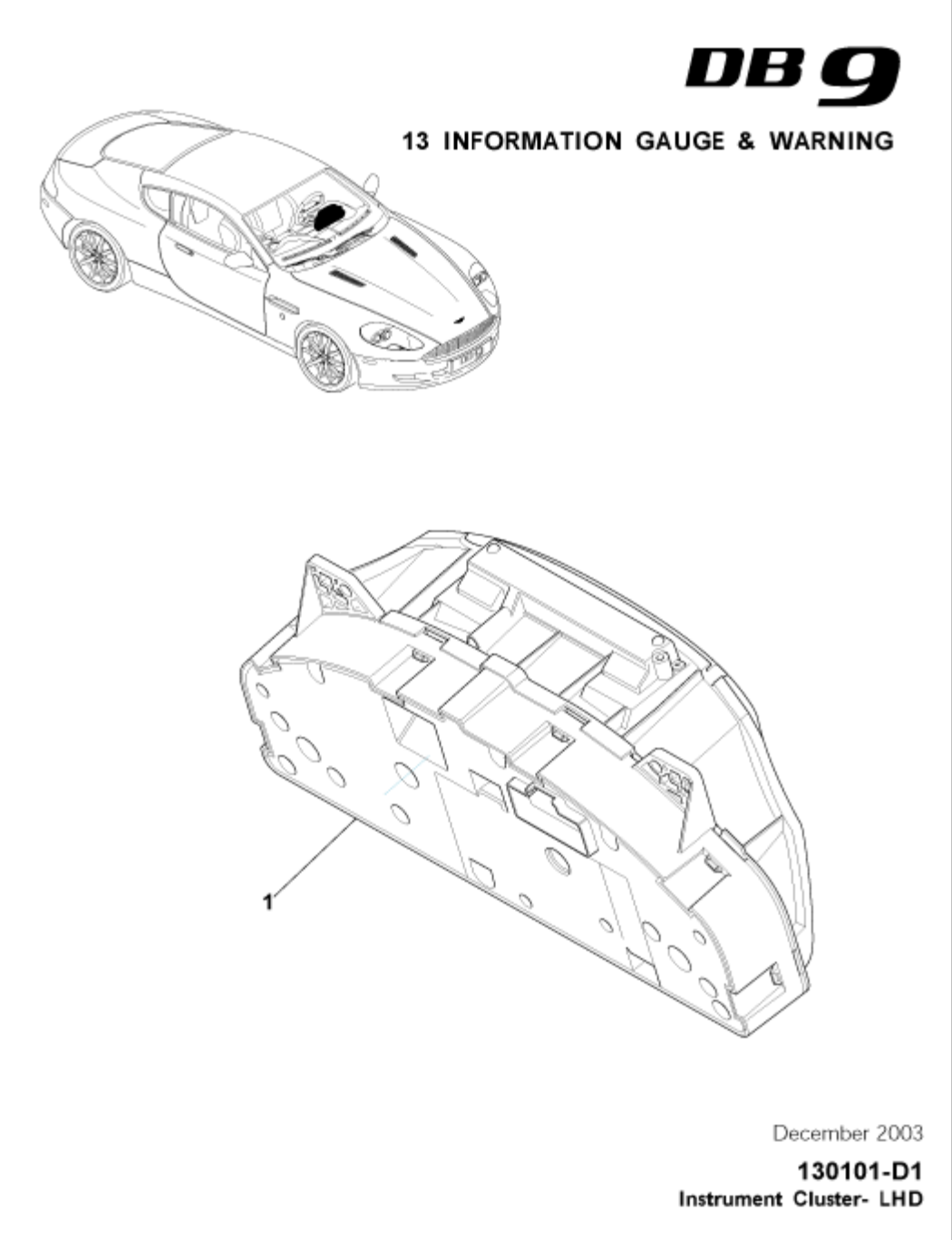


Climate Control Sensors RHD

Item	Part Number	Description	Qty	Remarks
1	4G43-19E642-AA	Sensor, ambient air temp	1	-
-	7G33-19E642-AA	Sensor, ambient air temp	1	From (V) B07578
2	4G43-19E663-AA	Sensor, solar load	1	-
3	1R12-89-10038	Housing, in car temp sensor	1	-
4	1R12-89-10045	Grille, aspirator	1	-

5	4G43-LBHP-AD	Hose, sniffer RHD	1	07MY
-	8D33-LBHP-AA	Hose, sniffer RHD	1	08MY From (V) A09110

DB9 Information Gauge & Warning

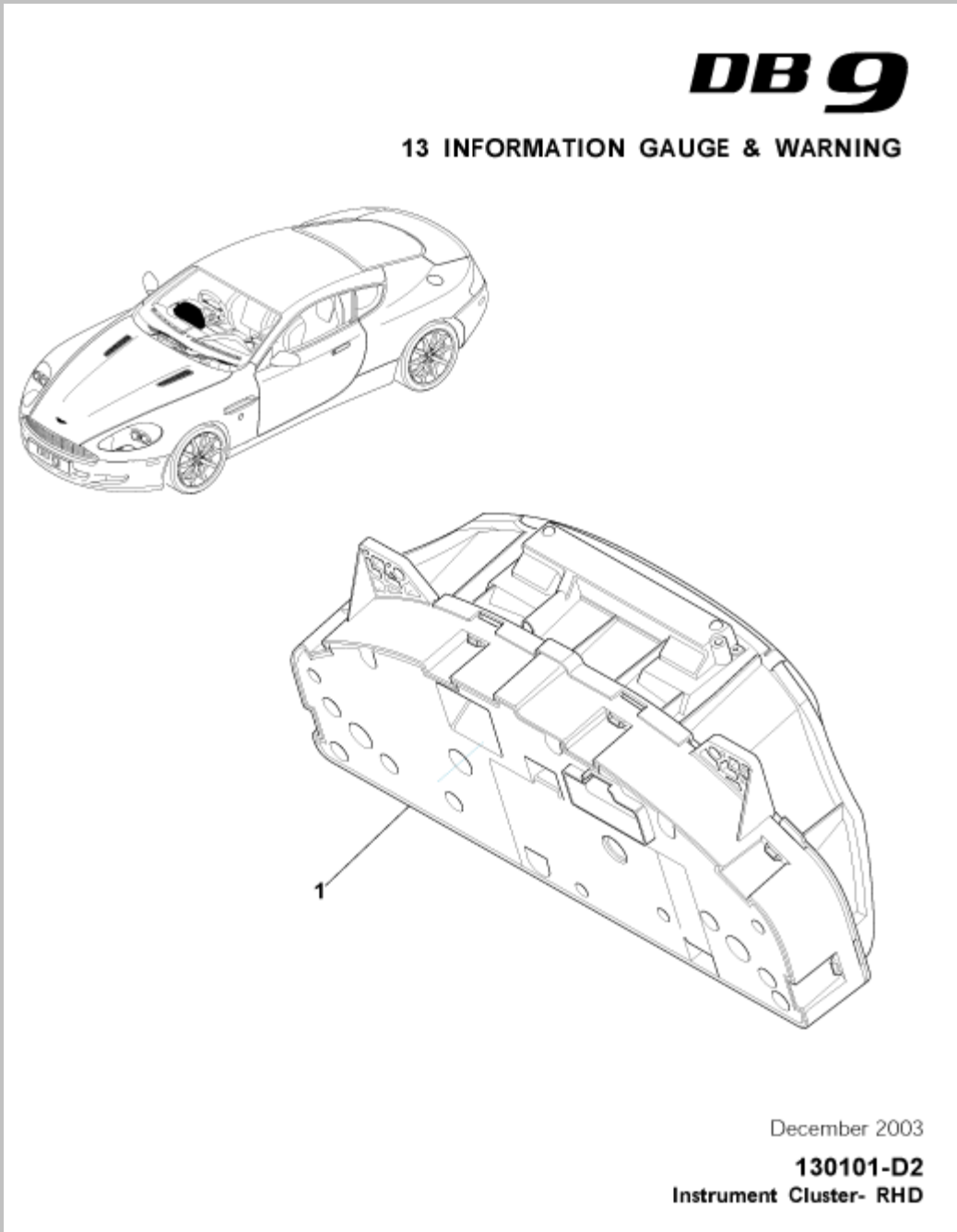


Instrument Cluster - LHD

Item	Part Number	Description	Qty	Remarks
1	4G43-10849-CB	Module, driver information	1	MPH USA variant 05MY
-	6G33-10849-CA	Module, driver information	1	MPH USA variant 06MY from(V) A04019
	8G43-10849-			MPH USA variant 08MY from(V)

-	CA	Module, driver information	1	A09110
-	4G43-10849-BF	Module, driver information	1	KPH ROW variant 05MY
-	6G33-10849-BA	Module, driver information	1	KPH ROW variant 06MY from (V) A04019
-	8G43-10849-BA	Module, driver information	1	KPH ROW variant 08MY from(V) A09110
-	701157	Screw, M4.2 x 16 washer head	4	-
-	701563	Nut, spring, 4.2	4	-

DB9 Information Gauge & Warning

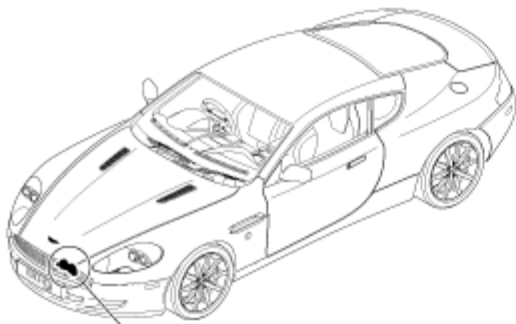


Instrument Cluster - RHD

Item	Part Number	Description	Qty	Remarks
1	4G43-10849-CB	Module, driver information	1	MPH UK variant 05MY
-	6G33-10849-CA	Module, driver information	1	MPH UK variant 06MY from (V) A04019
-	8G43-10849-	Module, driver information	1	MPH UK variant 08MY from (V) A09110

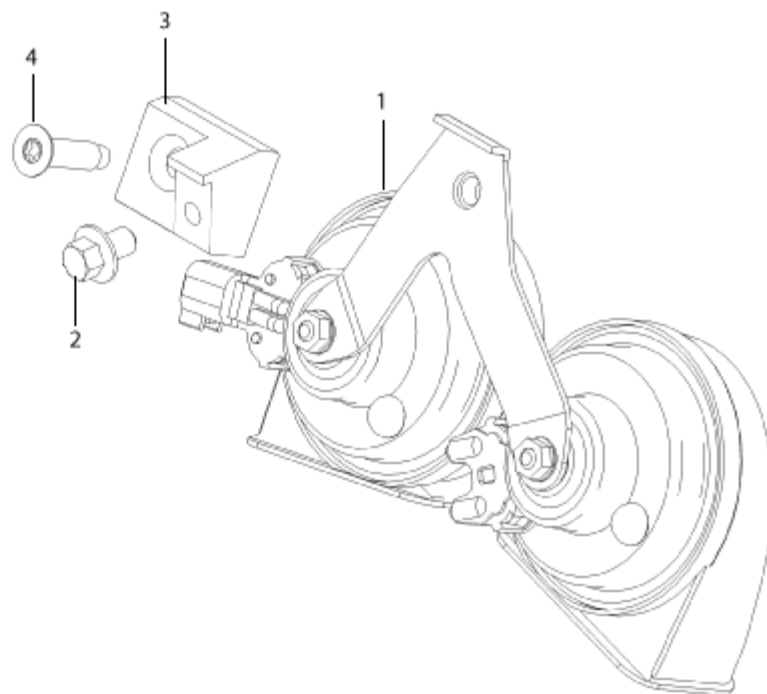
	CA			
-	4G43-10849-DA	Module, driver information	1	Metric variant, Aus/Eire 05MY
-	6G33-10849-DA	Module, driver information	1	Metric variant, Aus/Eire 06MY from (V) A04019
-	8G43-10849-DA	Module, driver information	1	Metric variant, Aus/Eire 08MY from (V) A09110
-	701157	Screw, M4.2 x 16 washer head	4	-
-	701563	Nut, spring, 4.2	4	-

DB9 - INFORMATION GAUGE & WARNING



DB9

INFORMATION GAUGE & WARNING



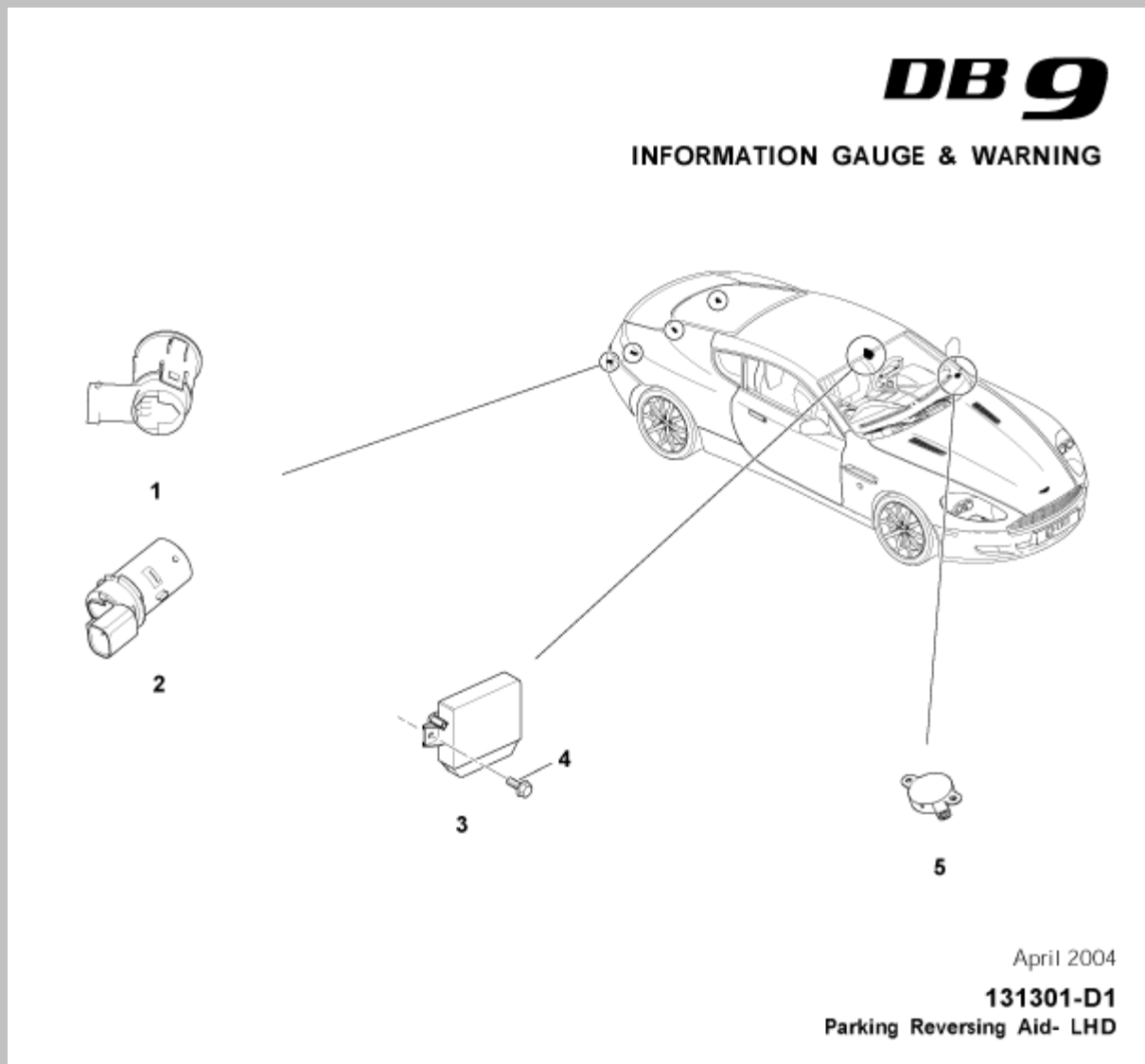
March 2006
130600-D1
Horn System

Horn System

Item	Part Number	Description	Qty	Remarks
1	4G43-37-10262	Horn & Bracket Assy	1	-
2	700980	Screw, M8, Flg	1	07MY
-	703202	Screw, M8, Flg	1	08MY From (V) A09110
3	4G43-13A803-AD	Plate, mounting, horn assy	1	-

4	700610	Screw, M8 x 25	1	-
-	6G43-13A803-AA	Bracket, horn mounting	1	Extreme cooling pack

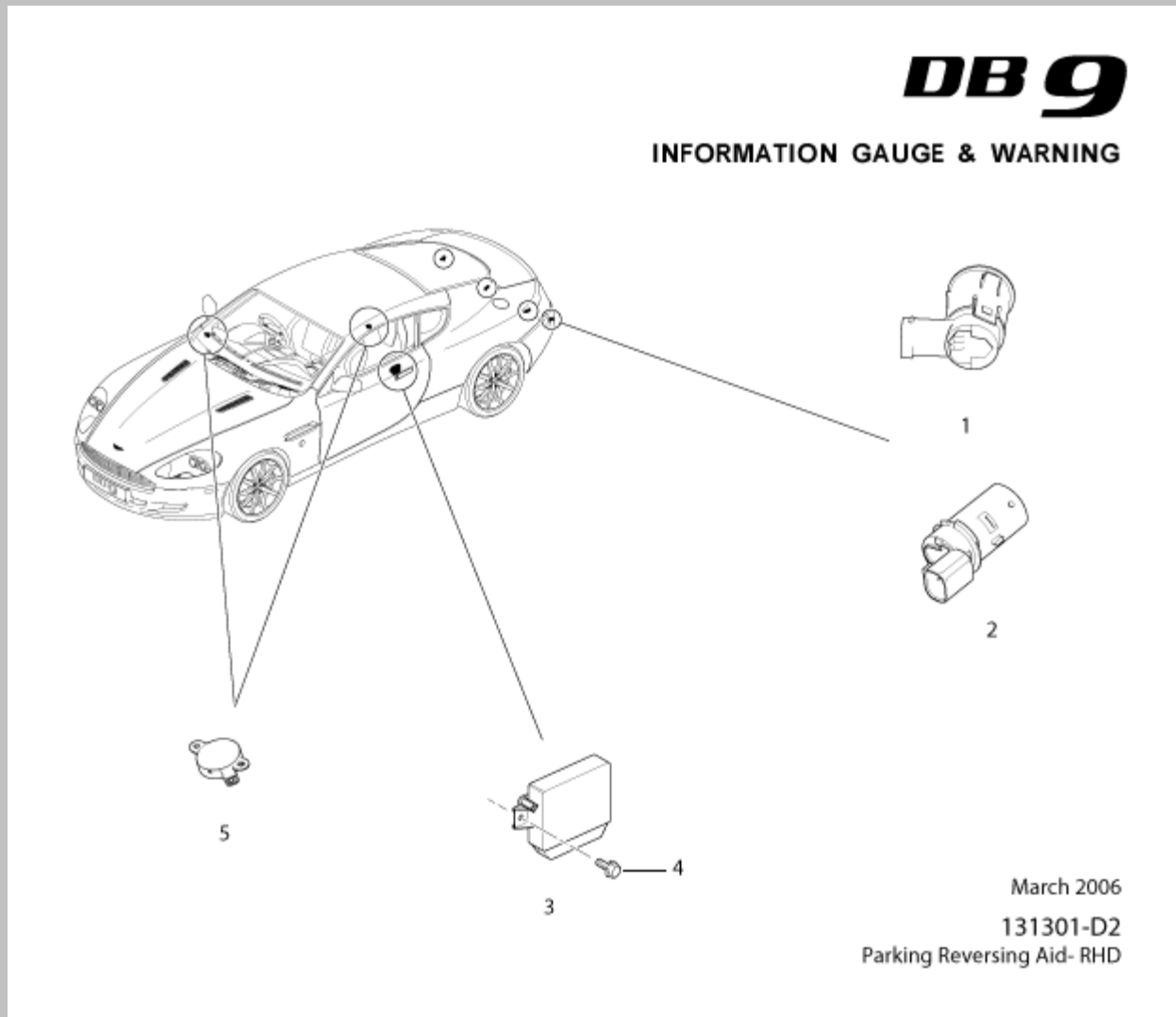
DB9 - INFORMATION GAUGE & WARNING



Parking Aid - LHD

Item	Part Number	Description	Qty	Remarks
1	4G43-37-10044	Sensor, parking aid, rear Outer	2	-
-	4G43-37-10044	Sensor, parking aid, front	4	-
2	4G43-37-10045	Sensor parking aid, anodised	2	-
-	9G43-090400-AA	Heatshield, PDC sensor	2	-
3	6G43-37-10354	Module, parking aid	1	-
4	703164	Nut, flg, M6	2	-
5	1R12-37-10342	Speaker, parking aid	1	-
6	702295	Nut, flg, M5	2	-
-	6G33-15A860-AA	Switch, rear distance park control	1	-

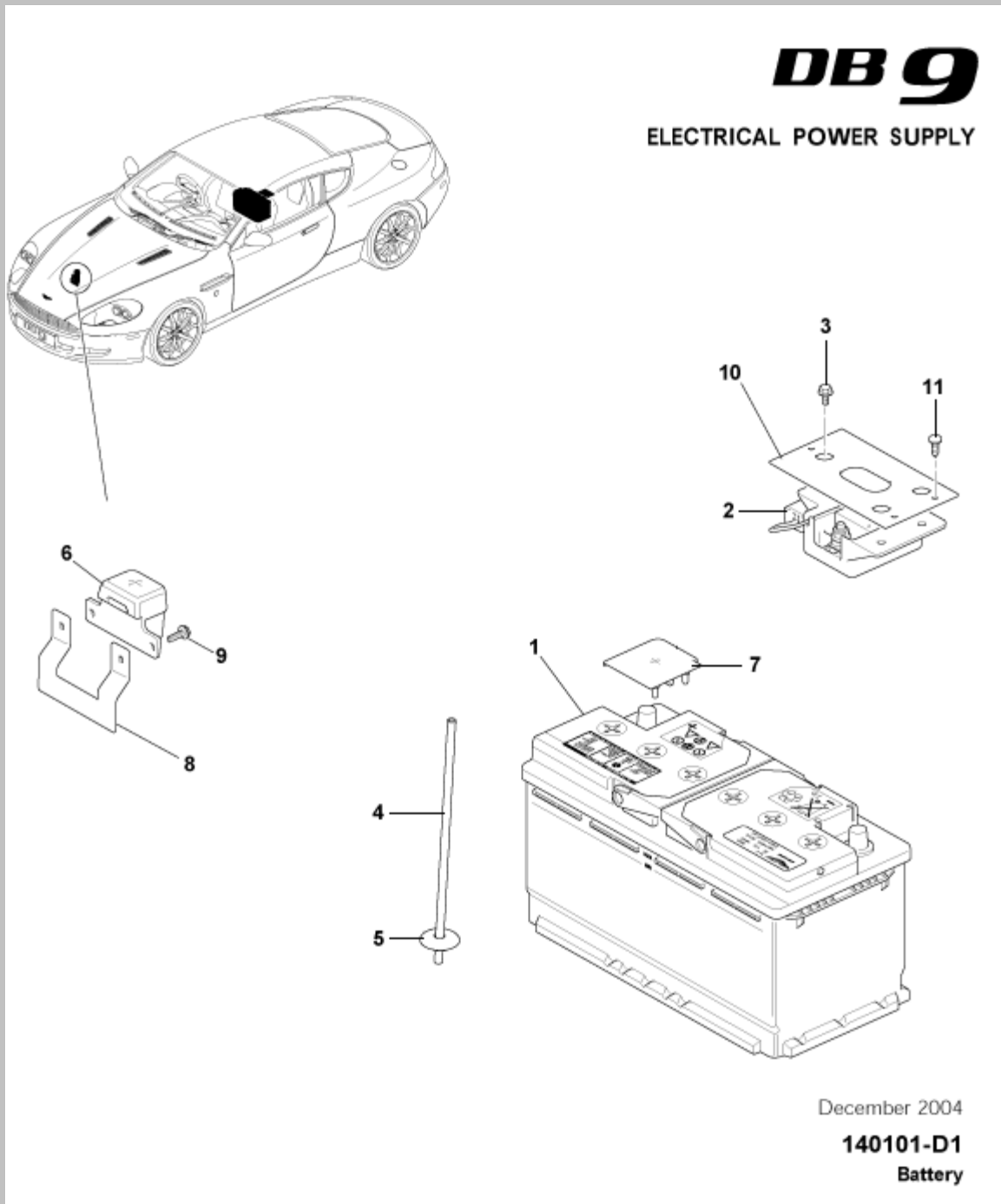
DB9 - INFORMATION GAUGE & WARNING



Parking Aid - RHD

Item	Part Number	Description	Qty	Remarks
1	4G43-37-10044	Sensor, parking aid, rear Outer	2	-
-	4G43-37-10044	Sensor, parking aid, front	4	-
2	4G43-37-10045	Sensor parking aid, anodised	2	-
3	6G43-37-10354	Module, parking aid	1	-
4	703164	Nut, flg, M6	2	-
5	1R12-37-10342	Speaker, parking aid	1	-
6	702295	Nut, flg, M5	2	-
-	6G33-15A860-AA	Switch, rear distance park control	1	-

DB9 - ELECTRICAL POWER SUPPLY

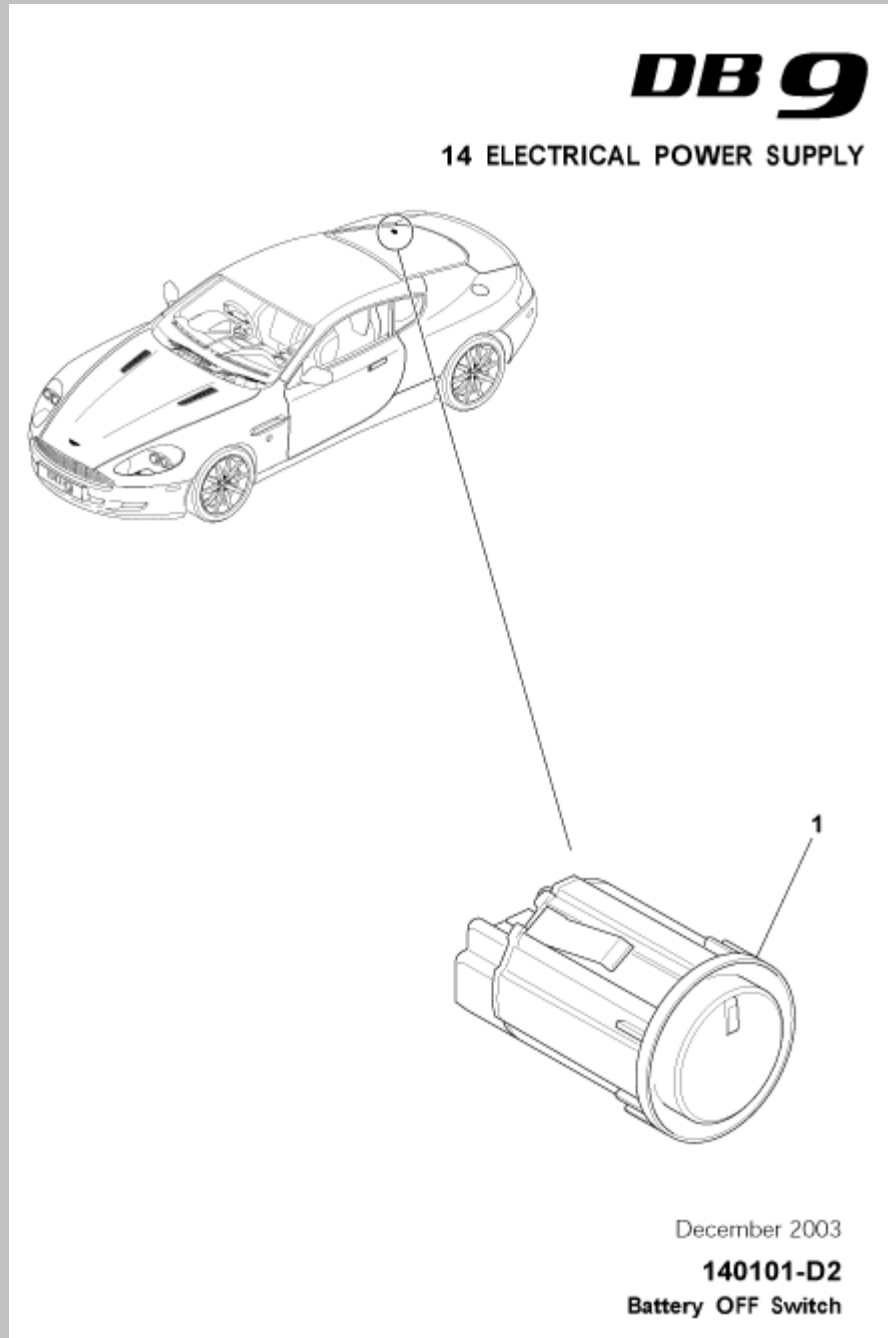


Battery

Item	Part Number	Description	Qty	Remarks
1	37-85928	Battery assy, 90ah	1	-
2	1R12-370397-AE	Switch, battery disconnect	1	-
-	7G43-370397-AB	Switch, battery disconnect	1	07MY
3	701553	Screw, M6 x 16, BDS to bracket	3	-

4	1R12-372635-AA	Tube, battery vent, 240mm	1	-
5	37-81850	Grommet, vent tube	1	-
6	6G33-14B600-BF	Terminal, Jump start	1	-
7	4G43-37-10115	Cover, battery terminal	1	-
8	4G43-14B600-BD	Bracket, jump start	1	-
9	701179	Screw, M6 x 12	2	07MY
-	700606	Screw, M6 x 12	2	08MY From (V) A09110
10	4G43-10B774-BB	Insulation, battery disconnect switch	1	-
11	701432	Pin, push in	3	-

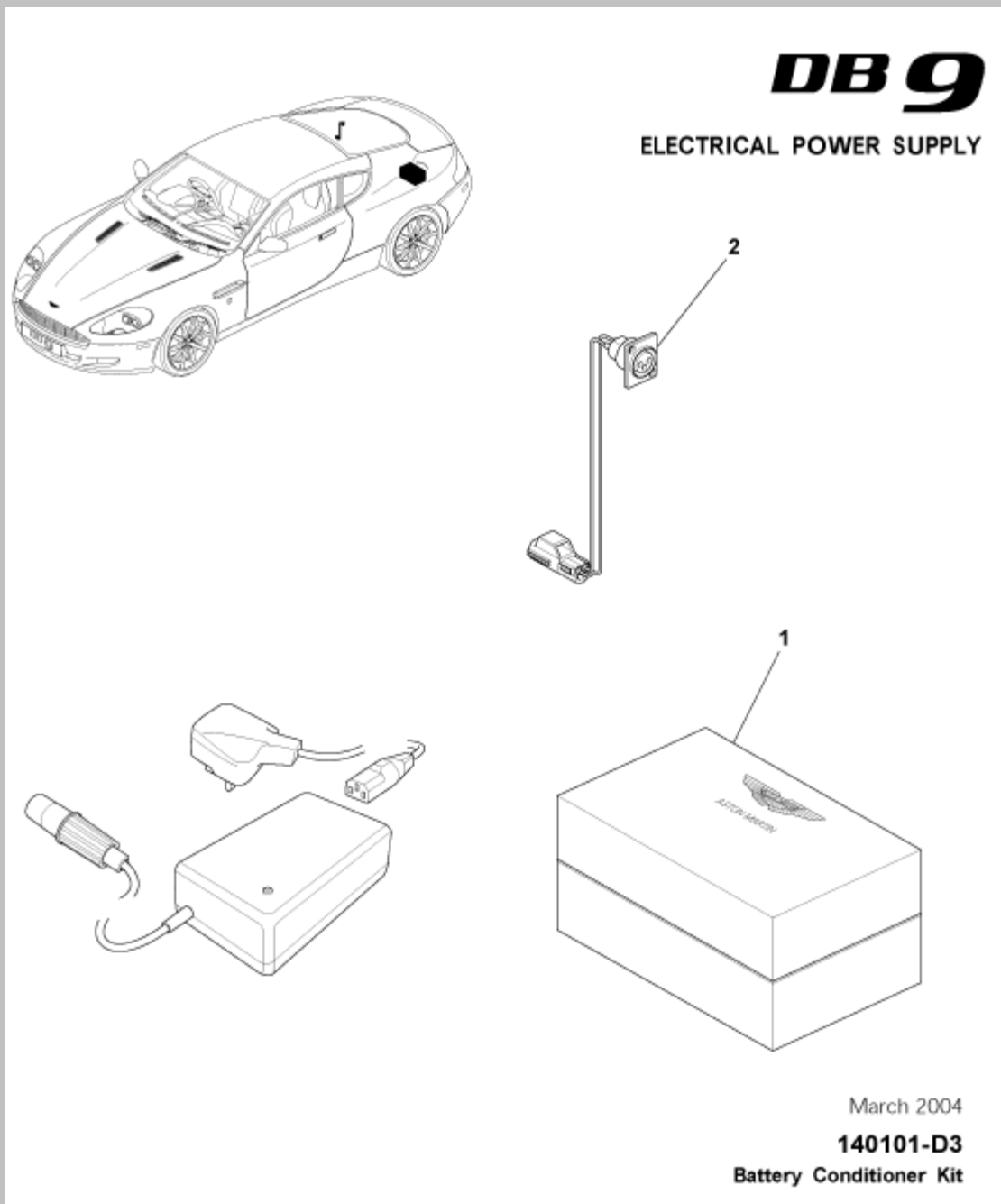
DB9 Electrical Power Supply



Battery Off Switch

Item	Part Number	Description	Qty	Remarks
1	6G33-10B774-AA	Switch, battery OFF	1	-

DB9 - ELECTRICAL POWER SUPPLY

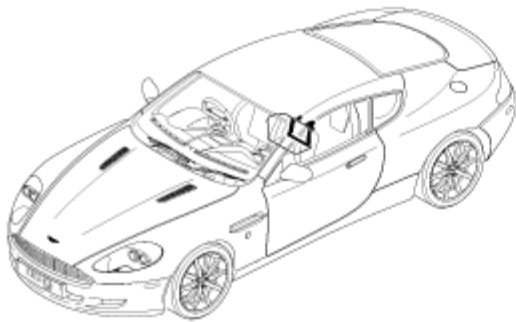


Battery Conditioner Kit

Item	Part Number	Description	Qty	Remarks
1	4G43-10C650-AA	Battery conditioner, plug I Aus/NZ	1	Up to (V) B05371
-	4G43-10C650-AB	Battery conditioner, plug I Aus/NZ	1	From (V) B05372
-	4G43-10C650-BA	Battery conditioner, plug G UK/Eire/Hong Kong	1	Up to (V) B05371
-	4G43-10C650-BB	Battery conditioner, plug G UK/Eire/Hong Kong	1	From (V) B05372
-	4G43-10C650-	Battery conditioner, plug C ROW	1	Up to (V) B05371

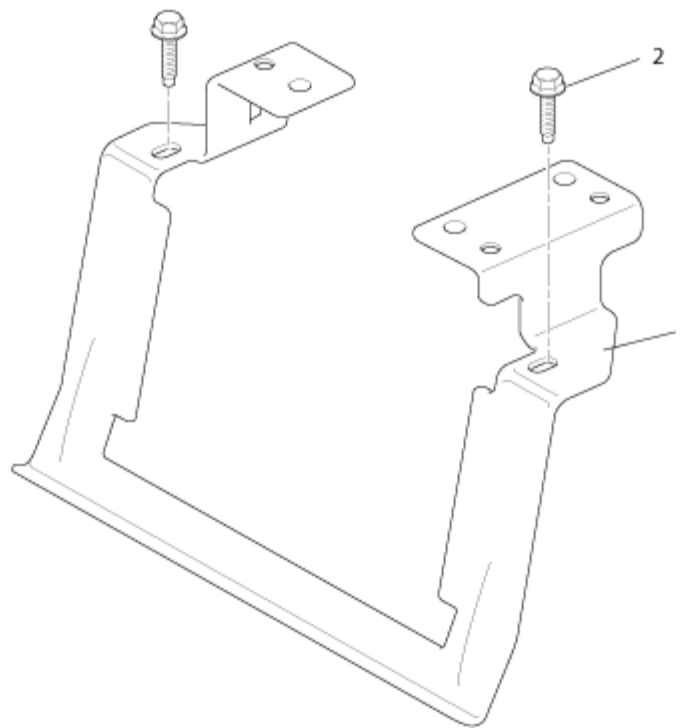
	CA			
-	4G43-10C650-FB	Battery conditioner, plug C ROW	1	From (V) B05372
-	4G43-10C650-DA	Battery conditioner, plug A USA/Can/Japan	1	Up to (V) B05371
-	4G43-10C650-DB	Battery conditioner, plug A USA/Can/Japan	1	From (V) B05372
-	4G43-10C650-FA	Battery conditioner, plug Swiss	1	Up to (V) B05371
2	4G43-124124-AA	Link lead, battery conditioner	1	-
-	698894	Screw, No 4 x 3/4"	2	Link lead to trim

DB9 - ELECTRICAL POWER SUPPLY



DB9

ELECTRICAL POWER SUPPLY



August 2005

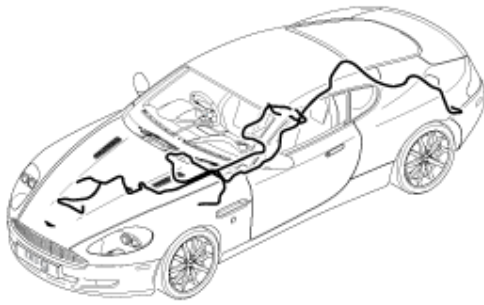
140102-B1

Battery Hold Down

Battery Hold Down

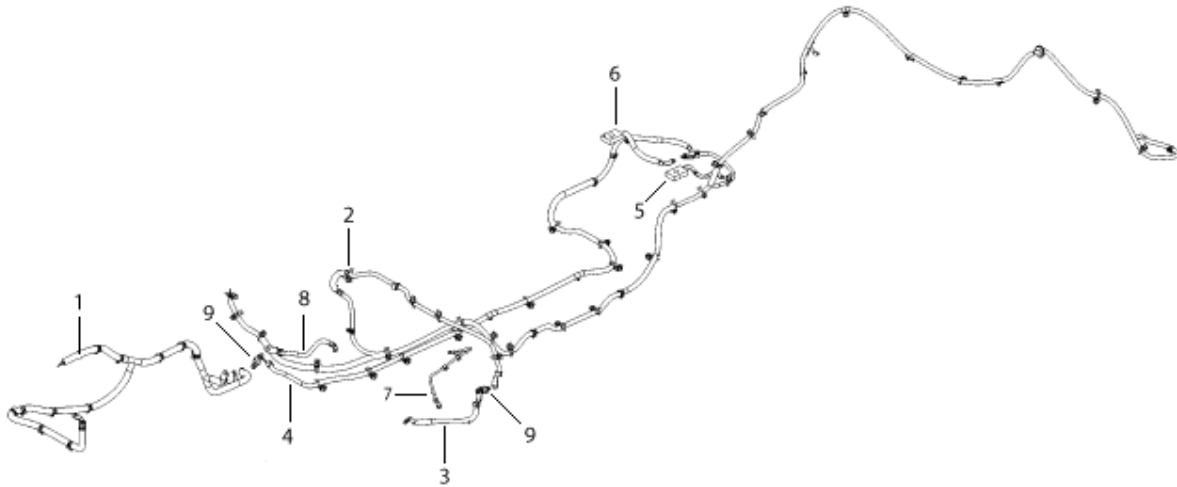
Item	Part Number	Description	Qty	Remarks
1	4G43-10A668-AF	Clamp, battery	1	Up to (V) A06155
-	7G43-10A668-AA	Clamp, battery	1	From (V) A06156
2	700607	Screw, M6 x 20	2	-

DB9 - ELECTRICAL POWER SUPPLY



DB9

ELECTRICAL POWER SUPPLY



April 2008
140103-D2
Battery Cables, Coupe

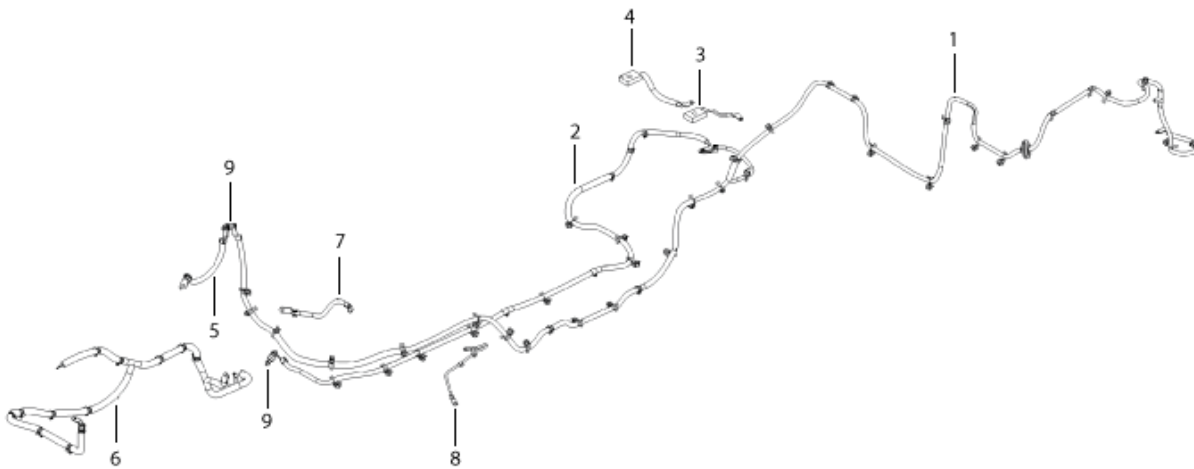
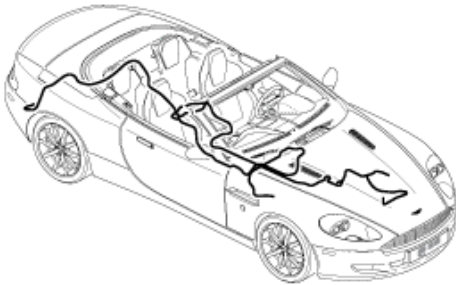
Battery Cables, Coupe

Item	Part Number	Description	Qty	Remarks
1	4G43-10C310-AD	Wire assy, bulkhead stud to starter	1	-
-	8D33-10C310-AB	Wire assy, bulkhead stud to starter	1	09MY
2	4G43-14B278-BD	Cable assy, BDS to bulkhead stud	1	RHD
-	4G43-14B278-AD	Cable assy, BDS to bulkhead stud	1	LHD
3	4G43-14B278-	Cable assy, BDS to bulkhead stud to engine bay fuse	1	-

	DD	box		
-	7G43-14B278-AC	Cable assy, BDS to bulkhead stud to engine bay fuse box, LHD	1	07MY
-	8G43-14B278-AB	Cable assy, BDS to bulkhead stud to engine bay fuse box, LHD	1	08MY From (V) A09110
-	7G43-14B278-BC	Cable assy, BDS to bulkhead stud to engine bay fuse box, RHD	1	07MY
-	8G43-14B278-BB	Cable assy, BDS to bulkhead stud to engine bay fuse box, RHD	1	08MY From (V) A09110
4	4G43-14305-AD	Cable assy, BDS to bulkhead stud	1	-
-	7G43-14305-AC	Cable assy, BDS to bulkhead stud	1	07MY
5	4G43-14301-AD	Cable assy, battery to GND	1	-
6	4G43-14300-AD	Cable assy, battery to BDS	1	-
7	4G43-14A280-DD	Earth strap, bonnet	1	-
8	6G43-14A280-AA	Earth strap, engine	1	-
9	4G43-37-10114	Terminal post assy	2	-
-	697596	Nut/washer, M6, negative cable to ground	1	-
-	701170	Nut, M6, bonnet earth strap	2	-
-	701170	Nut, M6, engine earth strap	2	-
-	700607	Screw, M6 x 20, engine earth strap to body	1	-
-	701170	Nut, M6, earth stud to body	71	-
-	701170	Nut, M6, fuel tank to earth strap	2	-
-	701170	Nut, M6, alternator lead fixing	1	-
-	700633	Nut, M6, cooling fan power lead	1	-
-	4G43-14A280-FC	Earth braid antenna module	1	-
-	4G43-14A280-FC	Earth braid antenna module	1	-
-	8D33-10A668-AA	Set screw, M8 x 12, brass	1	-
-	4G43-10400-AA	Washer, spring, M8 copper	1	-
-	703739	Nut, flg, M8	1	-

DB9

ELECTRICAL POWER SUPPLY



April 2008

140103-D3

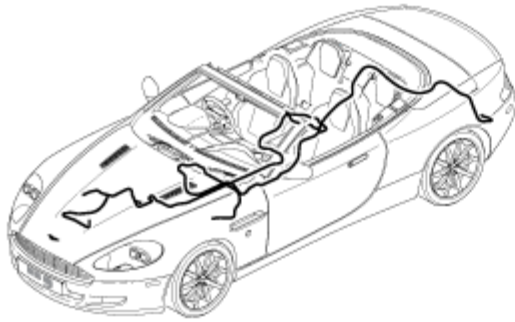
Battery Cables V12 LHD, Volante

Battery Cables V12 LHD, Volante

Item	Part Number	Description	Qty	Remarks
1	AD33-14B278-FB	Cable assy, BDS to Bulkhead Stud	1	LHD
2	4G43-14305-AD	BDS to Bulkhead Stud- DTY feed	1	-
-	7G43-14305-AC	BDS to Bulkhead Stud- DTY feed	1	07MY
3	4G43-14301-AD	Cable Assy Battery to GND	1	-
4	4G43-14300-AD	Cable Assy Battery to BDS	1	-
5	4G43-14B278-DD	Cable assy, BDS to Bulkhead Stud to engine bay fuse box	1	-
-	7G43-14B278-EC	Cable assy, BDS to Bulkhead Stud to engine bay fuse box, LHD	1	07MY
6	4G43-10C310-AD	Wire Assy Bulkhead Stud to Starter	1	-
-	8D33-10C310-AB	Wire Assy Bulkhead Stud to Starter	1	09MY
-	697596	Nut/washer, M6, negative cable to ground	1	-

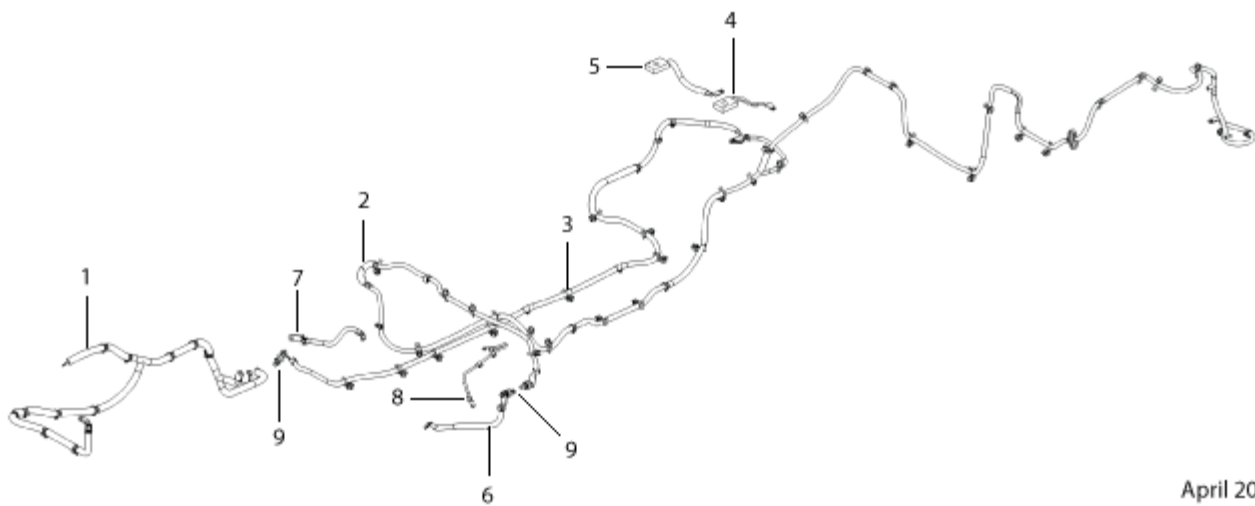
7	6G43-14A280-AA	Earth strap, engine	1	-
8	4G43-14A280-DD	Earth strap, bonnet	1	-
9	4G43-37-10114	Terminal post assy	2	-
-	701170	Nut, M6, bonnet earth strap	2	-
-	701170	Nut, M6, engine earth strap	2	-
-	700099	Screw, M6 x 20, engine earth strap attach	1	-
-	701170	Nut, M6, earth stud to body	71	-
-	701170	Nut, M6, fuel tank to earth strap	2	-
-	701170	Nut, M6, alternator lead fixing	1	-
-	700633	Nut, M6, cooling fan power lead	1	-
-	4G43-14A280-FC	Earth braid antenna module	1	-
-	8D33-10A668-AA	Set screw, M8 x 12, brass	1	-
-	4G43-10400-AA	Washer, spring, M8 copper	1	-
-	703739	Nut, fig, M8	1	-

DB9 - ELECTRICAL POWER SUPPLY



DB9

ELECTRICAL POWER SUPPLY



April 2008

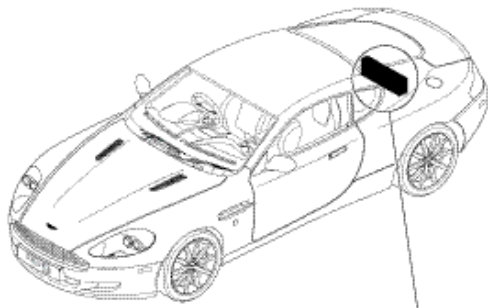
140103-D4

Battery Cables V12 RHD, Volante

Battery Cables V12 RHD, Volante

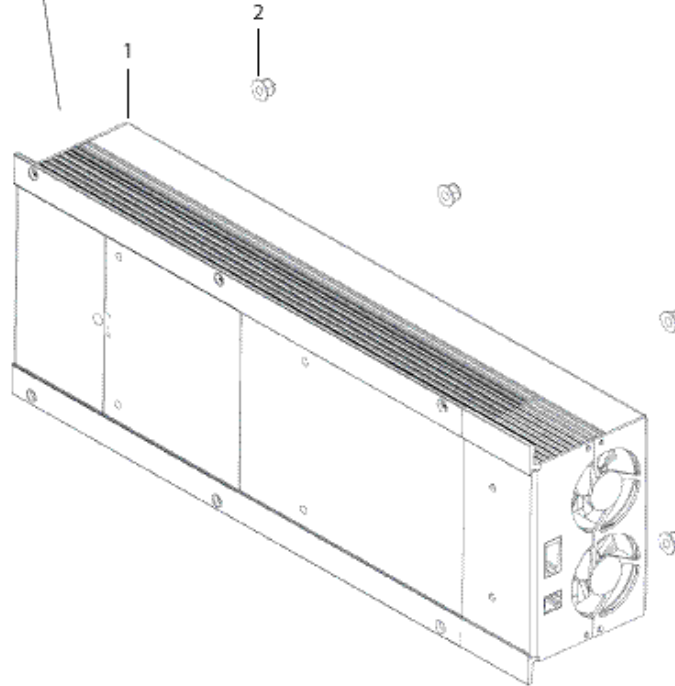
Item	Part Number	Description	Qty	Remarks
1	4G43-10C310-AD	Wire Assy Bulkhead Stud to Starter	1	-
-	8D33-10C310-AB	Wire Assy Bulkhead Stud to Starter	1	09MY
2	AD33-14B278-EB	Cable assy, BDS to Bulkhead Stud	1	RHD
3	4G43-14305-AD	BDS to Bulkhead Stud- DTY feed	1	-
-	7G43-14305-AC	BDS to Bulkhead Stud- DTY feed	1	07MY
4	4G43-14301-	Cable Assy Battery to GND	1	-

	AD			
5	4G43-14300-AD	Cable Assy Battery to BDS	1	-
6	4G43-14B278-DD	Cable assy, BDS to Bulkhead Stud to engine bay fuse box	1	-
-	7G43-14B278-FC	Cable assy, BDS to Bulkhead Stud to engine bay fuse box, RHD	1	07MY
7	6G43-14A280-AA	Earth strap, engine	1	-
8	4G43-14A280-DD	Earth strap, bonnet	1	-
9	4G43-37-10114	Terminal post assy	2	-
-	697596	Nut/washer, M6, negative cable to ground	1	-
-	701170	Nut, M6, bonnet earth strap	2	-
-	701170	Nut, M6, engine earth strap	2	-
-	700099	Screw, M6 x 20, engine earth strap to body	1	-
-	701170	Nut, M6, earth stud to body	71	-
-	701170	Nut, M6, fuel tank to earth strap	2	-
-	701170	Nut, M6, alternator lead fixing	1	-
-	700633	Nut, M6, cooling fan power lead	1	-
-	4G43-14A280-FC	Module, earth braid antenna	1	-
-	8D33-10A668-AA	Set screw, M8 x 12, brass	1	-
-	4G43-10400-AA	Washer, spring, M8 copper	1	-
-	703739	Nut, flg, M8	1	-



DB9

IN VEHICLE ENTERTAINMENT



September 2007

150103-D1

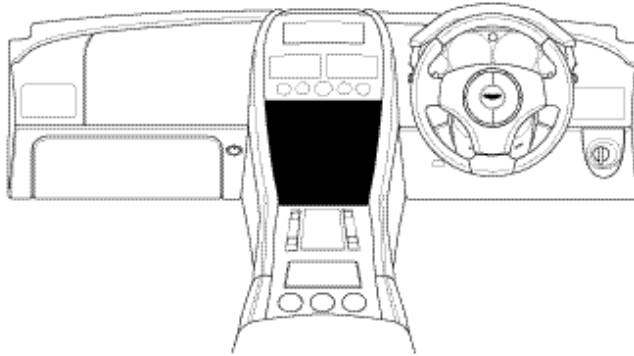
Receiver and Audio Media Subsystem

Receiver and Audio Media Subsystem

Item	Part Number	Description	Qty	Remarks
-	4G43-18C808-AG	Power amplifier, level 1	1	From (V) A00001 Up to (V) A09109
-	6G43-18C808-BD	Power amplifier, level 2	1	From (V) A00001 Up to (V) A09109
-	6G43-18C808-CF	Power amplifier, level 3	1	From (V) A00001 Up to (V) A09109
-	9D33-70G091-AB	'T' bar	2	-
2	697820	Nut, flg, M6, power amp attach	6	-
-	1R12-37-10629	Premier sub amplifier	1	08MY From (V) A09110
-	4G43-37-10985	Premier sub amplifier	1	09MY
-	6G33-18C808-CC	Premium Audio amplifier	1	08MY From (V) A09110
-	703164	Nut lock, M6	8	08MY From (V) A09110

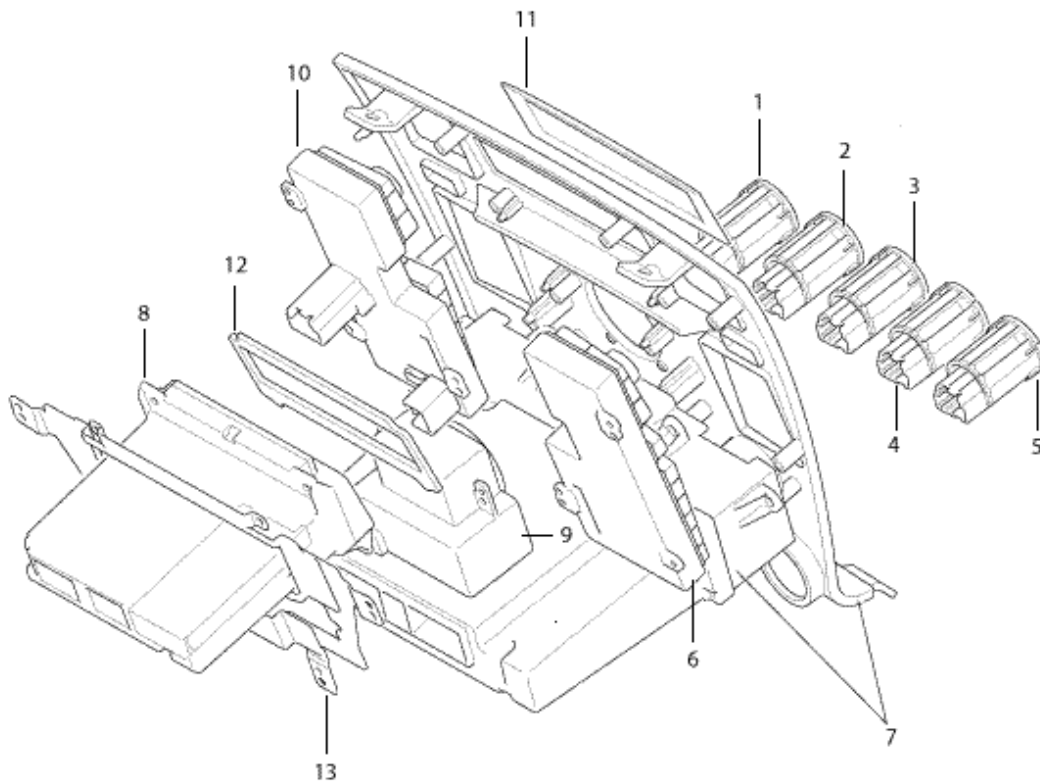
-	6G33-115723-AA	Spacer, AMP, M6	8	08MY From (V) A09110
-	702522	Nut, lock, flg, M5, all metal	8	08MY From (V) A09110

DB9 - IN VEHICLE ENTERTAINMENT



DB9

IN VEHICLE ENTERTAINMENT



November 2007
150104-D1
Receiver and Audio
Media Subsystem

Receiver and Audio Media Subsystem

Item	Part Number	Description	Qty	Remarks
-	4G43-18C858-AE	Centre stack assy, LHD, non nav, non telephone	1	05MY
-	6G43-18C858-AA	Centre stack assy, LHD, non nav, non phone	1	06MY From (V)A04019

-	6G33-18C858-AB	Centre stack, assy, LHD, no nav, no phone, no telem, anthracite	1	06MY From (V)A04019
-	4G43-18C858-CE	Centre stack assy, LHD, non nav, with telephone	1	05MY
-	6G43-18C858-CB	Centre stack assy, LHD, non nav, with phone	1	06MY From (V)A04019
-	6G33-18C858-CB	Centre stack, assy, LHD, no nav, wi phone, no telem, anthracite	1	06MY From (V)A04019
-	4G43-18C858-GE	Centre stack assy, LHD, nav, with telephone	1	05MY
-	6G43-18C858-GB	Centre stack assy, LHD, nav, with telephone	1	06MY From (V)A04019
-	6G33-18C858-GB	Centre stack, assy, LHD, nav, wi phone, no telem, anthracite	1	06MY From (V)A04019
-	4G43-18C858-EE	Centre stack assy, LHD, nav, non telephone	1	05MY
-	6G43-18C858-EB	Centre stack assy, LHD, nav, non telephone	1	06MY From (V)A04019
-	6G33-18C858-EB	Centre stack, assy, LHD, nav, no phone, no telem, anthracite	1	06MY From (V)A04019
-	6G43-18C858-AB	Centre stack assy, LHD, non nav no tel	1	07MY
-	6G43-18C858-CB	Centre stack assy, LHD, non nav/tel	1	07MY
-	6G43-18C858-EB	Centre stack assy, LHD, nav, non tel	1	07MY
-	6G43-18C858-GB	Centre stack assy, LHD, nav/tel	1	07MY
-	7G33-18C858-AA	Centre stack assy, LHD, nav, PAD, anthracite	1	07MY - Federal
-	7G33-18C858-BA	Centre stack assy, LHD, no nav, PAD, anthracite	1	07MY - Federal
-	7G33-18C858-CA	Centre stack assy, LHD, non nav, no tel, graphite	1	07MY
-	7G33-18C858-EA	Centre stack assy, LHD, no nav, tel, graphite	1	07MY
-	7G33-18C858-GA	Centre stack assy, LHD, nav, no tel, graphite	1	07MY
-	7G33-18C858-KA	Centre stack assy, LHD, nav, tel, graphite	1	07MY
-	7G33-18C858-MA	Centre stack assy, LHD, nav, PAD, graphite	1	07MY Fed
-	7G33-18C858-NA	Centre stack assy, LHD, no nav, no tel, PAD, graphite	1	07MY Fed
	7G33-			

-	18C858-OA	Centre stack assy, LHD, no nav, no tel, graphite	1	07MY
-	7G43-18C858-AA	Centre stack assy, LHD, nav no telephone PAD, platinum	1	07MY Fed
-	7G43-18C858-BA	Centre stack assy, LHD, non nav no telephone PAD, platinum	1	07MY Fed
-	8G43-18C858-AB	Centre stack assy, LHD, non nav no tel	1	08MY From (V)A09110
-	8G43-18C858-EB	Centre stack assy, LHD, nav/non tel	1	08MY From (V)A09110
-	8G43-18C858-JB	Centre stack assy, LHD, nav/tel	1	08MY From (V)A09110
-	8G43-18C858-KB	Centre stack assy, LHD, no nav PAD fed, platinum	1	08MY From (V)A09110 - Federal
-	4G43-18C858-IE	Centre stack assy, RHD, non nav, non telephone	1	05MY
-	6G43-18C858-BB	Centre stack assy, RHD, non nav, non phone	1	06MY From (V)A04019
-	6G33-18C858-BB	Centre stack, assy, RHD, no nav, no phone, no telem, anthracite	1	06MY From (V)A04019
-	4G43-18C858-KE	Centre stack assy, RHD, non nav, with telephone	1	05MY
-	6G43-18C858-DB	Centre stack assy, RHD, non nav, with phone	1	06MY From (V)A04019
-	6G33-18C858-DB	Centre stack, assy, RHD, non nav, with phone, anthracite	1	06MY From (V)A04019
-	4G43-18C858-OE	Centre stack assy, RHD, nav, with telephone	1	05MY
-	6G43-18C858-HB	Centre stack assy, RHD, nav, with telephone	1	06MY From (V)A04019
-	6G33-18C858-HB	Centre stack, assy, RHD, nav, with telephone, anthracite	1	06MY From (V)A04019
-	4G43-18C858-ME	Centre stack assy, RHD, nav, non telephone	1	05MY
-	6G43-18C858-FB	Centre stack assy, RHD, nav, non telephone, platinum	1	06MY From (V)A04019
-	6G33-18C858-FB	Centre stack, assy, RHD, nav, non telephone, anthracite	1	06MY From (V)A04019
-	6G43-18C858-BB	Centre stack assy, RHD, no nav, no tel	1	07MY
-	6G43-18C858-DB	Centre stack assy, RHD, no nav/tel	1	07MY
-	6G43-18C858-FB	Centre stack assy, RHD, nav/non tel	1	07MY
-	6G43-	Centre stack assy, RHD, nav/telephone	1	07MY

	18C858-HB			
-	7G33-18C858-FA	Centre stack assy, RHD, no nav / tel, graphite	1	07MY
-	7G33-18C858-JA	Centre stack assy, RHD, nav no tel, graphite	1	07MY
-	7G33-18C858-LA	Centre stack assy, RHD, nav telephone PAD, graphite	1	07MY - Federal
-	7G33-18C858-PA	Centre stack assy, RHD, no nav, no tel, graphite	1	07MY
-	8G43-18C858-BB	Centre stack assy, RHD, no nav, no tel	1	08MY From (V)A09110
-	8G43-18C858-FB	Centre stack assy, RHD, nav/non tel	1	08MY From (V)A09110
-	701157	Screw 4.2 x 16, stack fix	4	-
-	4G43-18C815-AB	Centre stack assy, LHD, RHD, no nav, no telephone	1	07MY
-	4G43-18C815-BB	Centre stack assy, LHD, RHD, no nav/tel	1	07MY
-	4G43-18C815-CB	Centre stack assy, LHD, RHD, nav, non telephone	1	07MY
-	4G43-18C815-DB	Centre stack assy, LHD, RHD, nav/telephone	1	07MY
-	7G33-18C815-AA	Centre stack assy, LHD, nav, PAD anthracite, USA	1	07MY
-	7G33-18C815-BA	Centre stack assy, LHD, no nav, no tel, PAD, anthracite, USA	1	07MY
-	7G33-18C815-CA	Centre stack assy, LHD, nav, PAD, graphite, USA	1	07MY
-	7G33-18C815-DA	Centre stack assy, LHD, no nav, no tel, PAD, graphite, USA	1	07MY
-	7G33-18C815-EA	Centre stack assy, LHD, RHD, non nav, no telephone, graphite	1	07MY
-	7G33-18C815-FA	Centre stack assy, LHD, RHD, no nav, with tel, graphite	1	07MY
-	7G33-18C815-GA	Centre stack assy, LHD, RHD, nav, no telephone, graphite	1	07MY
-	7G33-18C815-HA	Centre stack assy, LHD, RHD, nav, with telephone, graphite	1	07MY
-	7G43-18C815-AA	Centre stack assy, LHD, nav, no tel, PAD, platinum, USA	1	07MY
-	7G43-18C815-BA	Centre stack assy, LHD, no nav, no tel, PAD, platinum, USA	1	07MY
-	8G43-18C815-AB	Centre stack assy, LHD, RHD, no nav, no tel	1	08MY From (V)A09110
	8G43-			

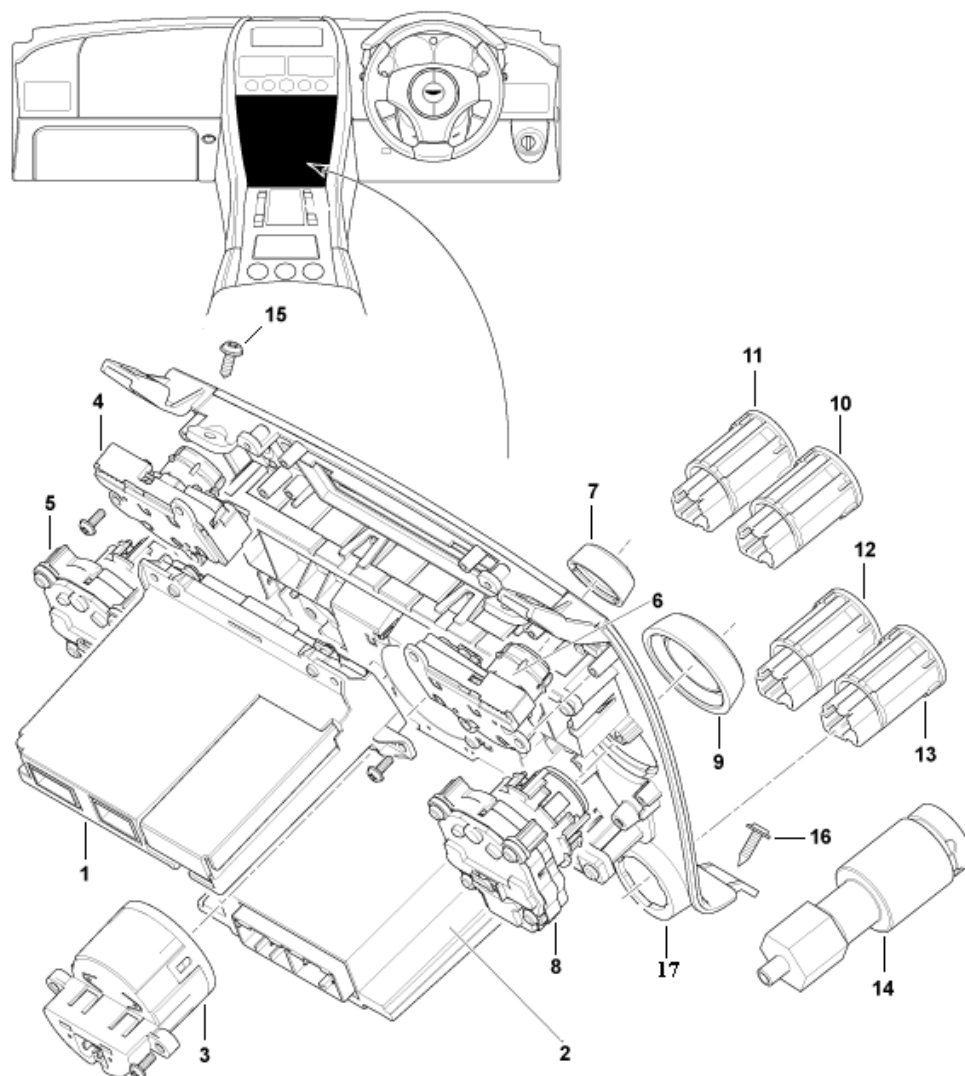
-	18C815-CB	Centre stack assy, LHD, RHD, nav non tel	1	08MY From (V)A09110
-	8G43-18C815-EB	Centre stack assy, LHD, nav/PAD	1	08MY From(V)A09110 - Federal
-	8G43-18C815-FB	Centre stack assy, LHD, non nav/PAD	1	08MY From(V)A09110
1	4G43-15K237-AF	Switch, rear fog	1	05MY
-	6G33-15K237-AA	Switch, rear fog	1	06MY From (V)A04019
2	4G43-2C418-AF	Switch, DSC control	1	05MY
-	6G33-2C418-AA	Switch, DSC control	1	06MY From (V)A04019
3	4G43-13A350-AF	Switch, hazard warning	1	05MY
-	6G33-13A350-AA	Switch, hazard warning	1	06MY From (V)A04019
4	4G43-19E755-AF	Switch, AC recirc assy	1	05MY
-	6G33-19E755-AA	Switch, AC recirc assy	1	06MY From (V)A04019
5	4G43-19E755-BF	Switch assy, AC request	1	05MY
-	6G33-19E755-BA	Switch assy, AC request	1	06MY From (V)A04019
6	4G43-13D734-DD	Switchpack, telephone	1	05MY
-	4G43-13D734-DE	Switchpack, telephone	1	06MY From (V) A04019
-	8G43-13D734-AA	Switchpack, telephone	1	08MY From (V) A09110
7	4G43-18C612-AJ	Module, HVAC control	1	Includes face plate
-	4G43-89-10707	Alum knob, A/C switch	1	Set of 3
8	4G43-18K810-AE	Infotainment control mod	1	05MY
-	6G33-18K810-AA	Infotainment control mod	1	06MY From (V)A04019
-	8G43-18K810-AA	Infotainment control mod	1	08MY From (V)A09110
9	4G43-15000-AD	Clock, AML, longer pins	1	-
10	4G43-	Switchpack, nav with SIM	1	-

	13D734-AE			
-	4G43-13D734-FE	Switchpack, non nav without SIM	1	-
-	4G43-13D734-CE	Switchpack, non nav with SIM	1	-
-	4G43-13D734-EE	Switchpack, nav without SIM	1	-
-	6G33-13D734-BA	Switchpack, RHD, LHD, nav without SIM	1	-
-	6G33-13D734-HA	Switchpack, RHD, LHD, no nav with SIM	1	-
-	6G33-13D734-IA	Switchpack, RHD, LHD, no nav without SIM	1	-
-	6G33-13D734-JA	Switchpack, RHD, LHD, telephone	1	-
-	7G33-13D734-AA	Switchpack, LHD, nav with pad lamp, anthacite, USA	1	07MY
-	7G33-13D734-BA	Switchpack, LHD, non nav with pad lamp, anthacite, USA	1	07MY
-	7G33-13D734-CA	Switchpack, non nav without SIM, graphite	1	07MY
-	7G33-13D734-DA	Switchpack, non nav with SIM, graphite	1	07MY
-	7G33-13D734-EA	Switchpack, nav without SIM, graphite	1	07MY
-	7G33-13D734-FA	Switchpack, nav, with SIM, graphite	1	07MY
-	7G33-13D734-HA	Switchpack, nav, PAD graphite, USA	1	07MY
-	7G33-13D734-JA	Switchpack, non nav with pad lamp	1	07MY - Federal
-	7G43-13D734-AA	Switchpack, LHD, nav with pad lamp, platinum, USA	1	07MY
-	7G43-13D734-BA	Switchpack, LHD, non nav w pad lamp, platinum, USA	1	07MY
11	4G43-37-10223	Visor panel, radio	1	-
12		Gasket new 07	1	-
13	4G43-18C830-DA	Bracket, support, centre stack	1	05MY
-	4G43-18C830-DB	Bracket, support, centre stack	1	06MY From (V) A04019
-	6G33-13D734-KA	Draw, simcard holder	1	-
	4G43-			

-	13D734-GB	Draw, simcard holder	1	07MY
-	7G33-13D734-KA	Draw, simcard holder	1	07MY

DB9

IN VEHICLE ENTERTAINMENT



April 2008

150104-D2

Receiver and Audio Media Subsystem, 09MY

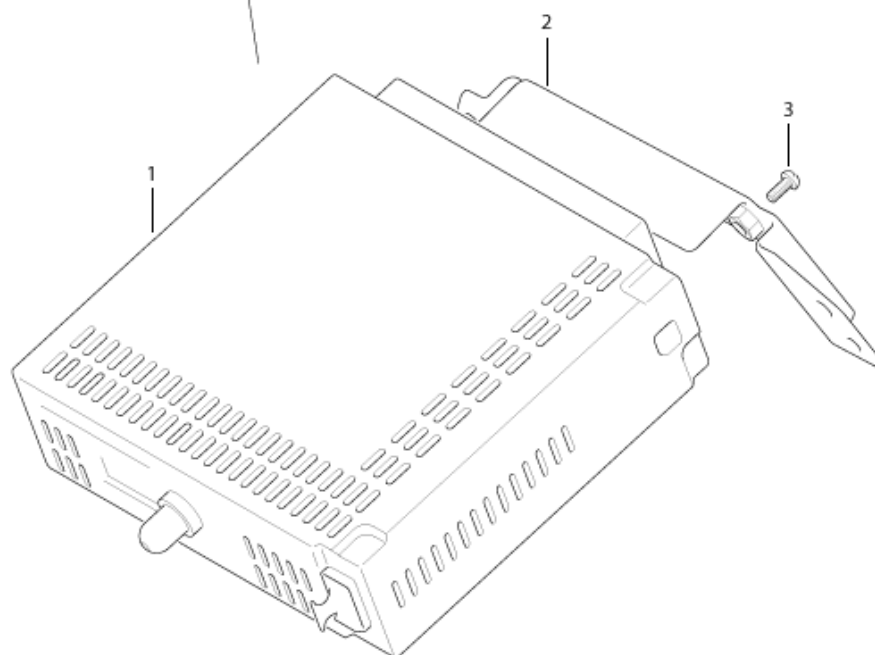
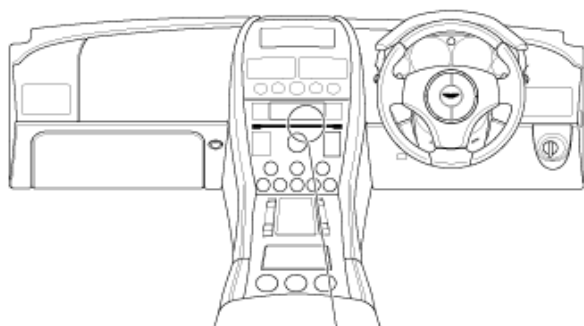
Receiver and Audio Media Subsystem, 09MY

Item	Part Number	Description	Qty	Remarks
-	9G43-18C858-AB	Centre stack assy, silver outer, graphite, inner	1	LHD, AUTO
-	9G43-18C858-BC	Centre stack assy, silver outer, graphite, inner	1	LHD, MANUAL
-	9G43-18C858-CA	Centre stack assy, silver	1	RHD, AUTO
-	9G43-18C858-DB	Centre stack assy, silver	1	RHD, MANUAL
-	9G43-18C815-AB	Centre stack assy	1	-
1	8D33-18K810-AA	Infotainment module	1	-
2	8D33-18C612-AB	Module, HVAC control	1	-
3	8D33-15000-AB	Analogue clock	1	-
4	8D33-13D734-AB	Module, tune / scan audio control	1	-
5	8D33-18C612-BB	Module, temp HVAC rotary control	1	-

6	8D33-13D734-BB	Module, volume / auto audio control	1	-
7	8D33-18817-AB	Knob, audio control	2	-
8	8D33-18C612-CB	Module, fan speed HVAC rotary control	1	-
9	8D33-18783-AB	Knob, HVAC control	2	-
10	8D33-15A860-AA	Switch, parking sensor	1	-
11	6G33-2C418-AA	Switch, DSC control	1	-
12	6G33-15K237-AA	Switch, rear fog	1	-
13	6G33-14B626-AA	Switch, sport	1	AUTO
14	9G43-56051-BA	Pen holder	1	MANUAL
14	700623	Pen	1	-
15	701660	Screw, 4.2 x 13	2	-
16	701157	Screw, washer head	2	-
17	9G43-13D734-AB	Face plate, (switch main body)	1	-

DB9

IN VEHICLE ENTERTAINMENT



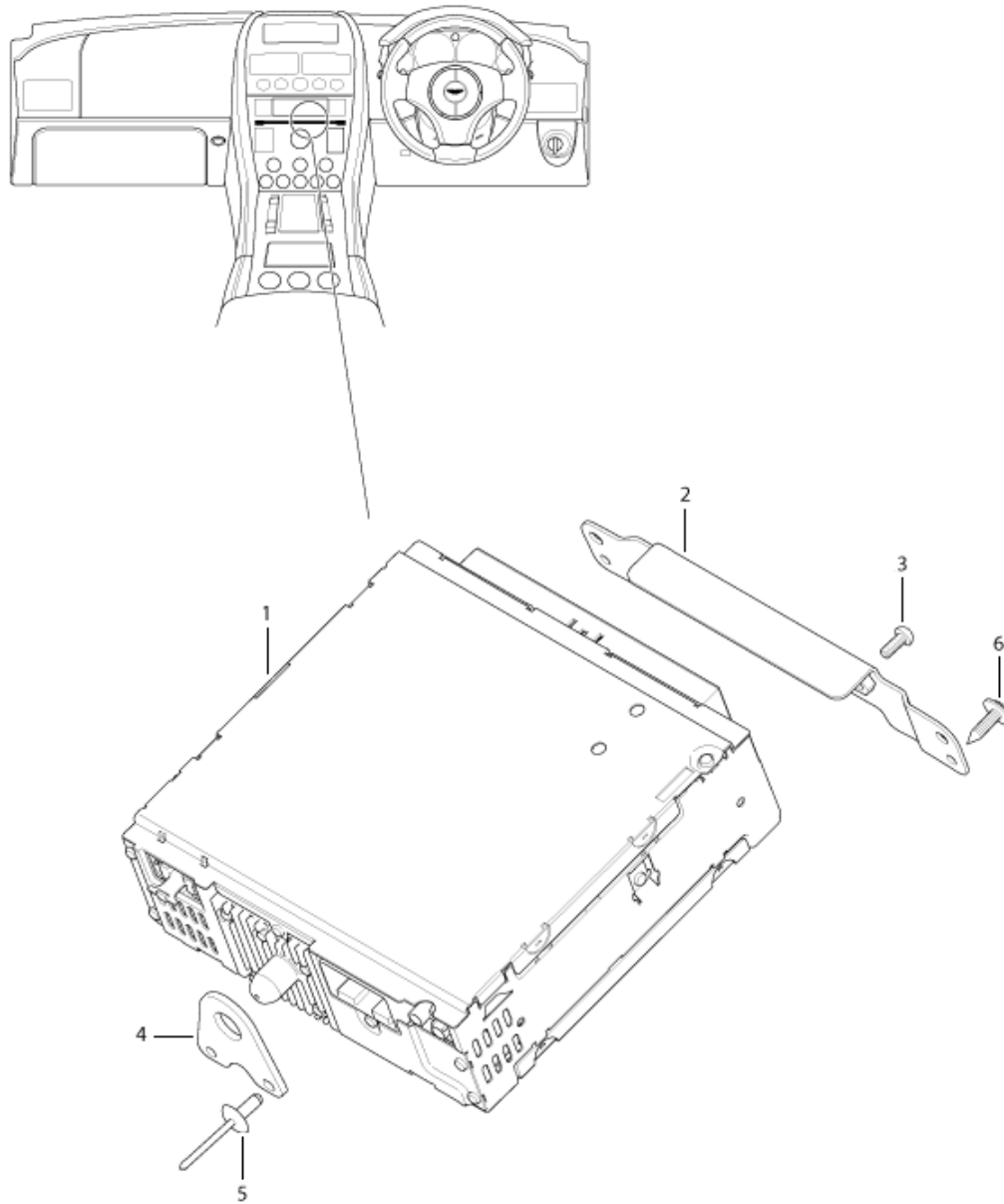
April 2008
150108-D1
Media Player

Media Player

Item	Part Number	Description	Qty	Remarks
1	1R12-37-10551	Six CD in dash media player	1	-
2	4G43-18C830-CC	Bracket, CD player	1	-
3	702084	Screw, M5 x 12	2	-

DB9

IN VEHICLE ENTERTAINMENT



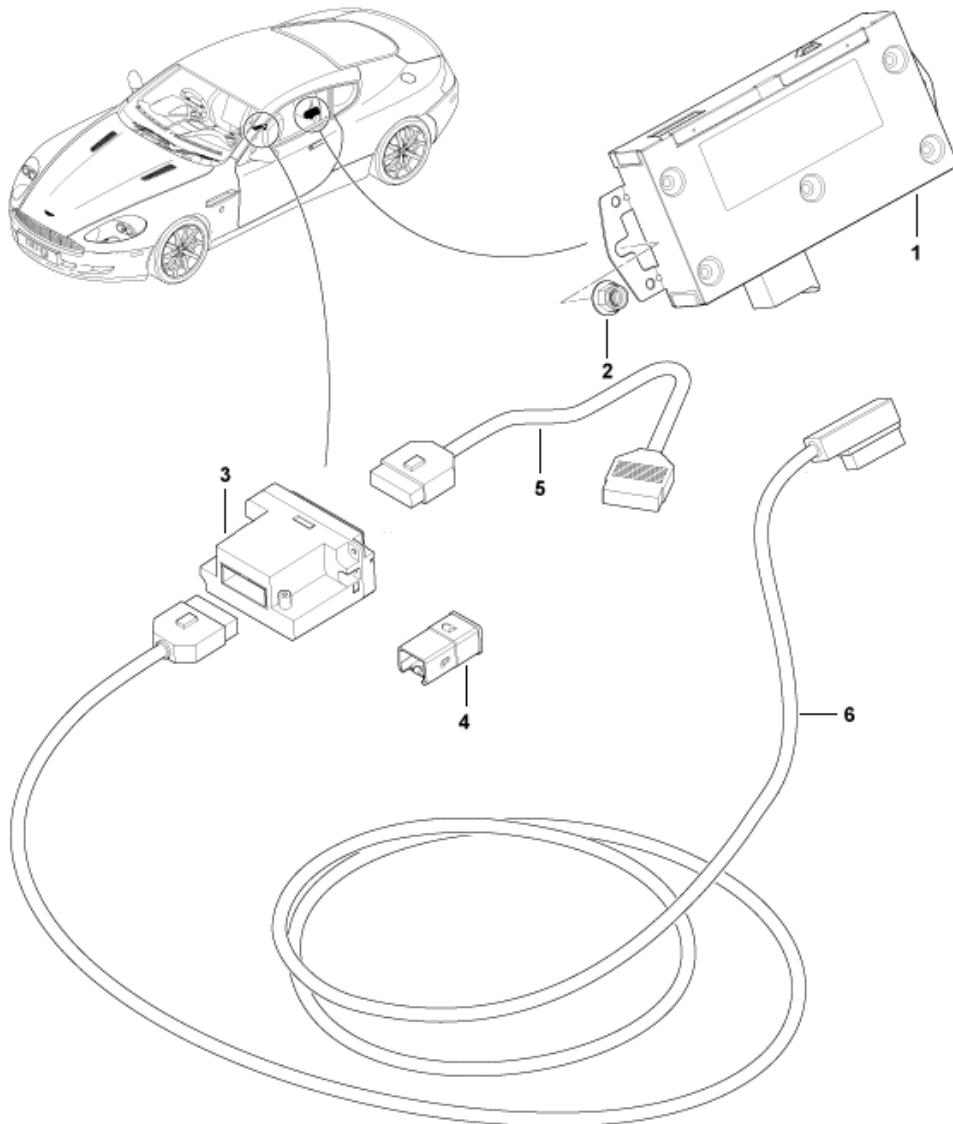
April 2008
150108-D2
Media Player 09 MY

Media Player 09MY

Item	Part Number	Description	Qty	Remarks
1	9G43-37-11015	Integrated audio module	1	-
2	8D33-18C830-CC	Bracket, IAM	1	-
3	702084	Screw, M5 x 12	2	-
4	8D33-18C830-DA	Bracket, IAM support	1	-
5	4G43-17A873-AA	Rivet	2	-
6	701157	Screw, 4.2 x 16 washer head	2	-

DB9

IN VEHICLE ENTERTAINMENT



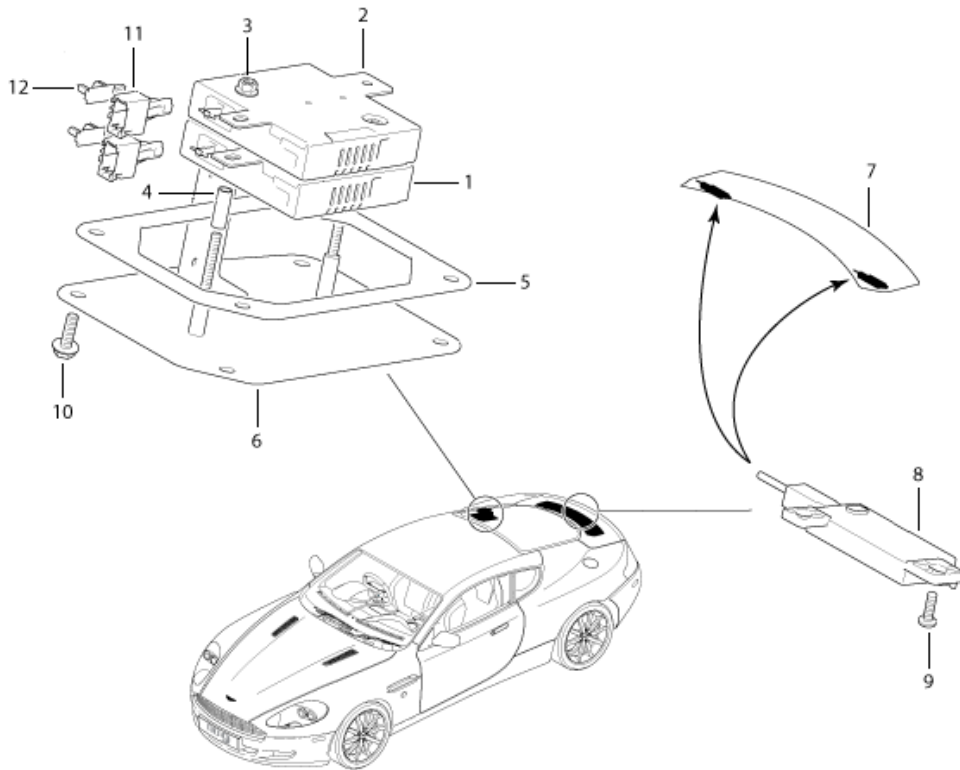
April 2008
150108-D3
MP3 Media Sub System

MP3 Media Sub System

Item	Part Number	Description	Qty	Remarks
1	4G43-37-10950	Module, AUU	1	-
2	703164	Nut, M6 flange head	2	-
3	8G43-19C166-AA	UIP assy	2	08MY From (V) A09110
3	8G43-19C166-AB	UIP assy	2	-From (V) -12582
4	4G43-37-10923	Auxillary input	1	-
5	8G43-14D454-BA	Cable, UIP to iPod	1	-
5	8G43-14D454-BB	Cable, UIP to iPod	1	-From (V) -12623
6	8G43-14D454-CA	Cable, UIP to AUU	1	-

DB9

IN VEHICLE ENTERTAINMENT



April 2008
150204-D1
Electronic Antenna, Pre 08MY

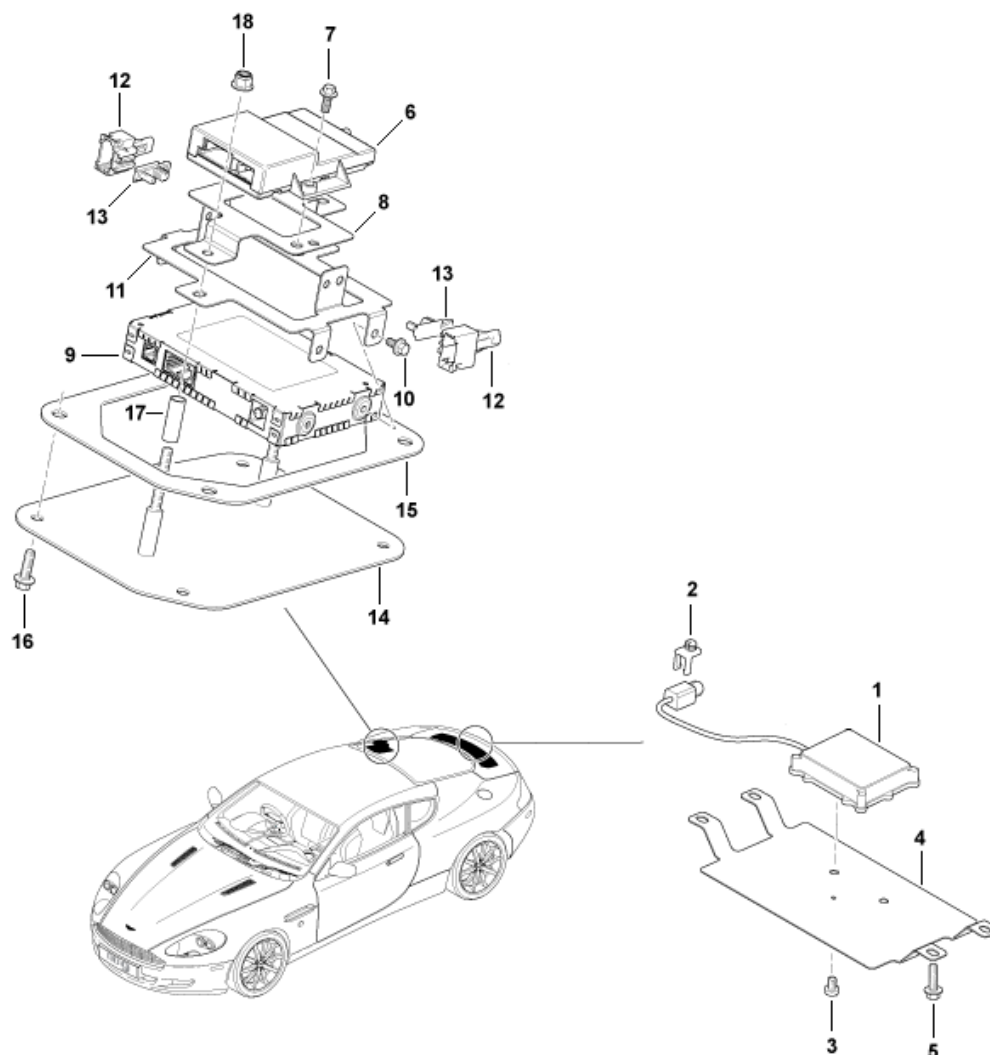
Electronic Antenna, Pre 08MY

Item	Part Number	Description	Qty	Remarks
1	4G43-37-10474	Tuner, TMC, option for UK & Sweden	1	-
-	4G43-37-10688	Tuner, GPS	1	-
-	9G43-37-11005	Tuner assy, satellite radio	1	-
2	6G33-14D417-AA	Tuner, AM FM	1	From May 07
3	703164	Nut, M6, tuner to bracket	2	-
4	4G43-18K833-AA	Spacer	2	-
5	4G43-19A070-CA	Gasket, rubber	1	-
6	4G43-18K876-DE	Base plate, tuner	1	-
7	4G43-18C897-AC	Film, antenna, LH	1	-
8	4G43-18C847-AB	Antenna, amplifier	2	-
-	9G43-18C847-AA	Antenna, amplifier	2	09MY

9	701441-PK	Screw, flg, M4.2 x 13, black, antenna to boot	4	-
10	700607	Bolt, M6 x 20, tuner to bracket	4	-
11	4G43-18C951-HB	MOST, service loop	2	-
12	6G43-01-10042	Retainer, connector	2	-

DB9

IN VEHICLE ENTERTAINMENT



April 2008
150204-D2
Electronic Antenna 08MY

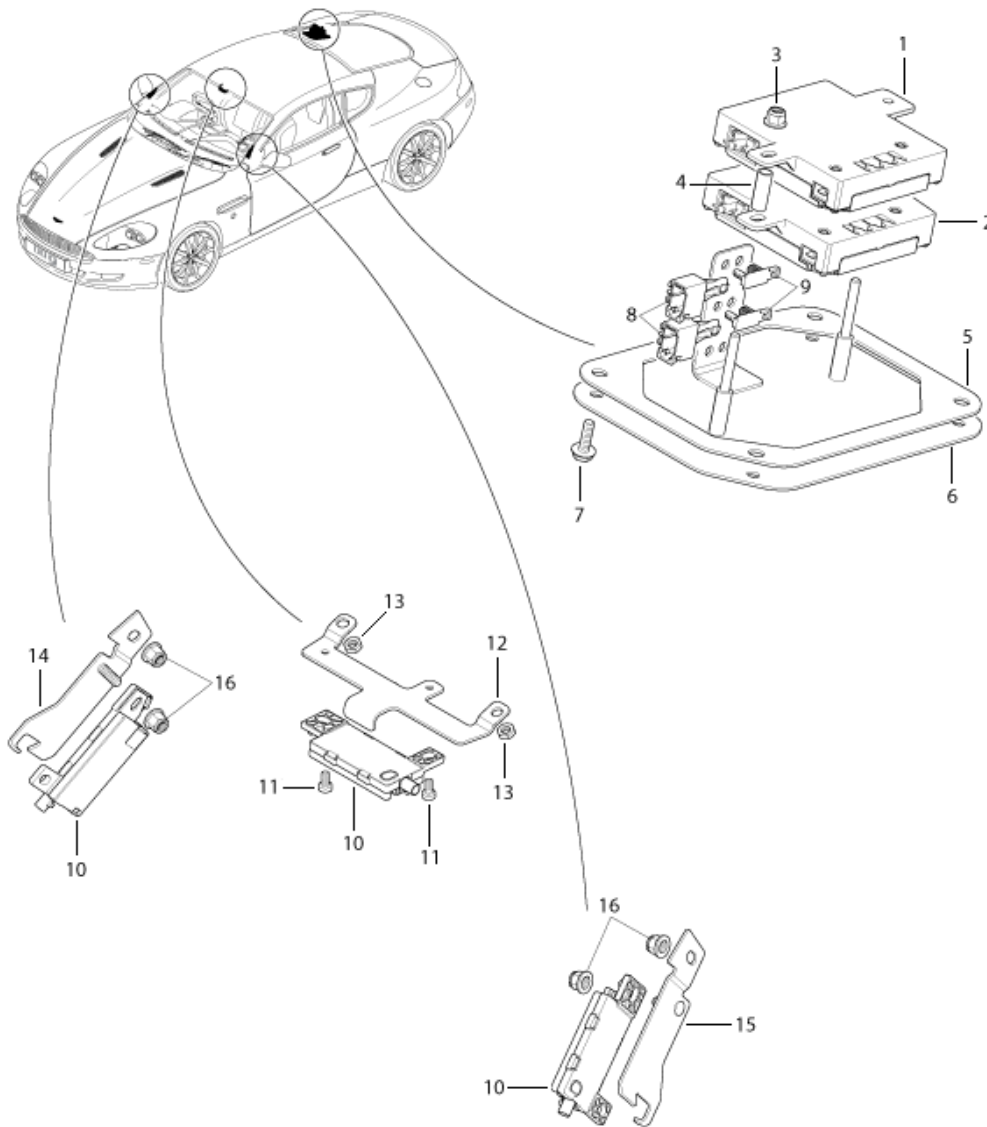
Electronic Antenna 08MY

Item	Part Number	Description	Qty	Remarks
1	8G43-19C089-AB	Antenna, SDARS	1	-
2	8G43-14A163-CA	Clip, single connector	1	-
3	8G43-487464-AA	Screw M5 x 6, pan head	2	-
4	8G43-10E921-CA	Decklid plate, antenna	1	-
5	703179	Screw, flg, M5 x 10	2	-
6	4G43-10E894-AA	Catia tuner GPS	1	-
7	700608	Screw, flg, M5 x 12	2	-
8	4G43-10E887-BD	Bracket, GPS	1	-
9	9G43-37-11005	SDARS tuner	1	-
10	703206	Screw, flg, M5 x 8	4	-
11	8D33-19C183-AA	Bracket, tuner module	1	-

12	4G43-18C951-HB	MOST service loop	2	-
13	6G43-01-10024	Retainer	2	-
14	8D33-18K876-AA	Baseplate, tuner	1	-
15	4G43-19A070-CA	Rubber gasket	1	-
16	703203	Screw, flg, M6 x 20	4	-
17	8D33-18K833-AA	Spacer, 30mm	2	-
18	703163	Nut, flg, M6	2	-

DB9

IN VEHICLE ENTERTAINMENT



April 2008

150204-D3

Front Screen Electronic Antenna

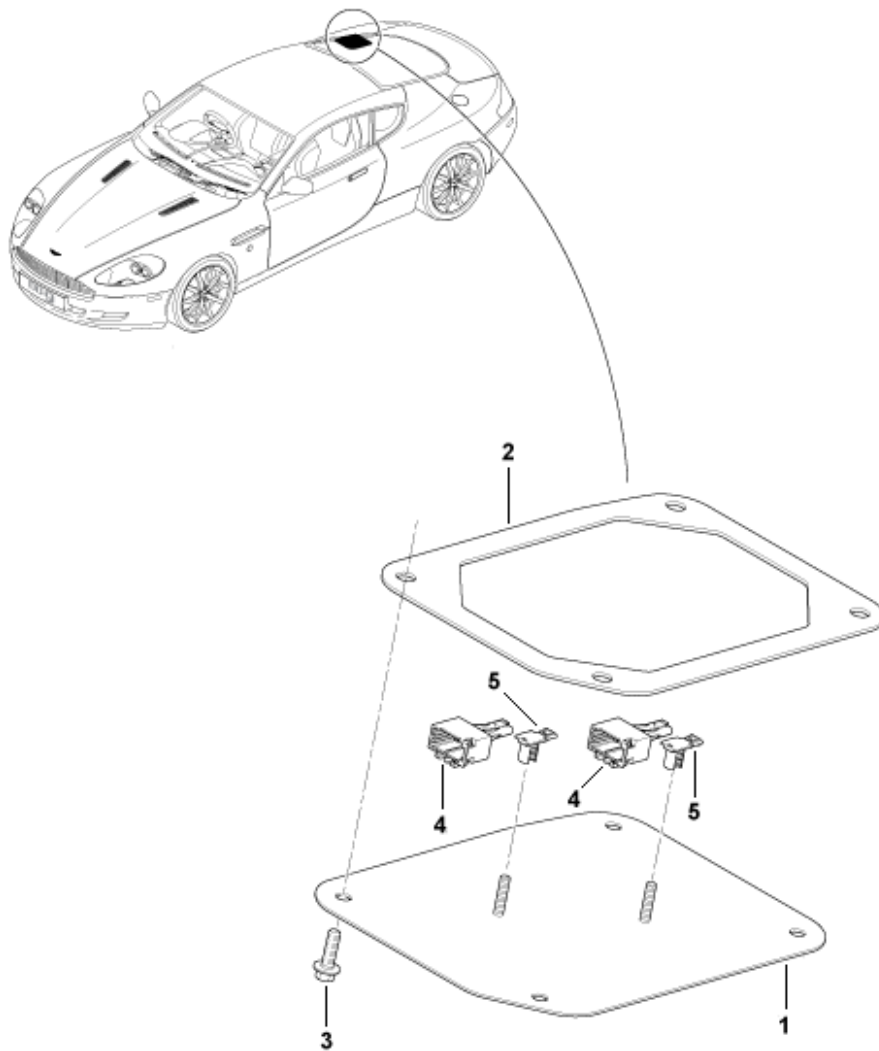
Front Screen Electronic Antenna

Item	Part Number	Description	Qty	Remarks
1	6G33-14D417-AA	Tuner, AM, FM	1	-
2	4G43-18K876-BA	Tuner, TMC	1	-
3	703164	Nut, M6, tuner to bracket	2	-
4	4G43-18K833-AA	Spacer	2	-
5	4G43-19A070-CA	Gasket, rubber	1	-
6	4G43-18K876-DE	Base plate, tuner	1	-
7	700607	Bolt, M6 x 20, tuner to bracket	4	-
8	4G43-18C951-HB	MOST, service loop	2	-
9	6G43-01-10042	Retainer, connector	2	-

10	4G43-18C847-AB	Antenna, amplifier	3	-
-	9G43-18C847-AA	Antenna, amplifier	3	09MY
11	W504693-S437M	Screw, M5 x 10, pan head	2	-
12	6G33-18C987-EB	Bracket, antenna	2	-
13	702994	Nut, M6, thin	2	-
14	6G33-18C987-CA	Bracket, RHS, antenna, 'A' pillar	1	-
15	6G33-18C987-DA	Bracket, LHS, antenna, 'A' pillar	1	-
16	702840	Nut and washer, M6	4	-

DB9

IN VEHICLE ENTERTAINMENT



April 2008

150204-D4

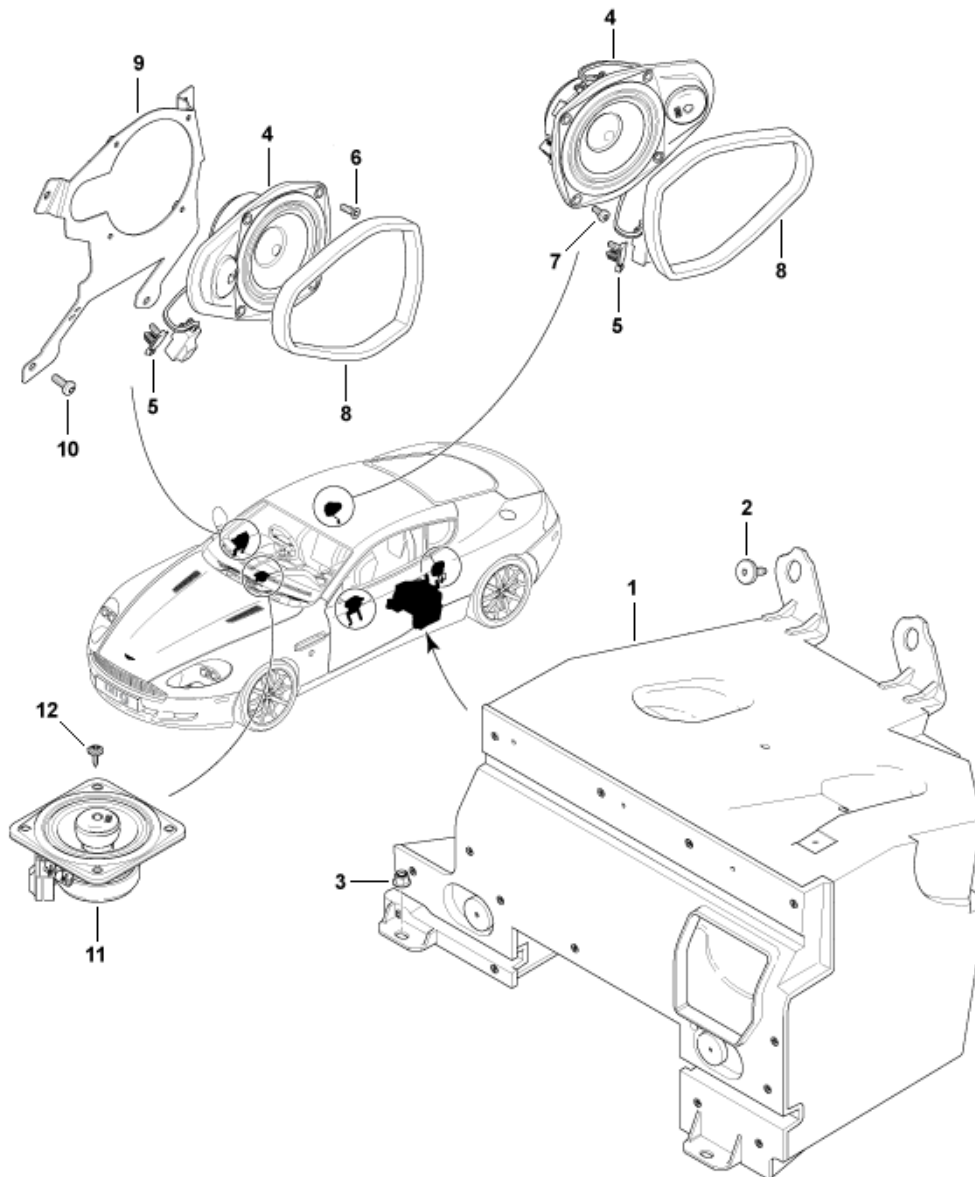
Non SDARS Blanking Plate, 09MY

Non SDARS Blanking Plate, 09MY

Item	Part Number	Description	Qty	Remarks
1	8D33-18K876-BB	Blanking plate, non SDARS	1	-
2	4G43-19A070-CA	Rubber gasket	1	-
3	703203	Screw, flg, M6 x 20	4	-
4	4G43-18C951-HB	MOST service loop	2	-
5	1X4T-108101-CA	Clip	2	-

DB9

IN VEHICLE ENTERTAINMENT



April 2008

150301-D1

Speaker Assembly 08MY/09MY

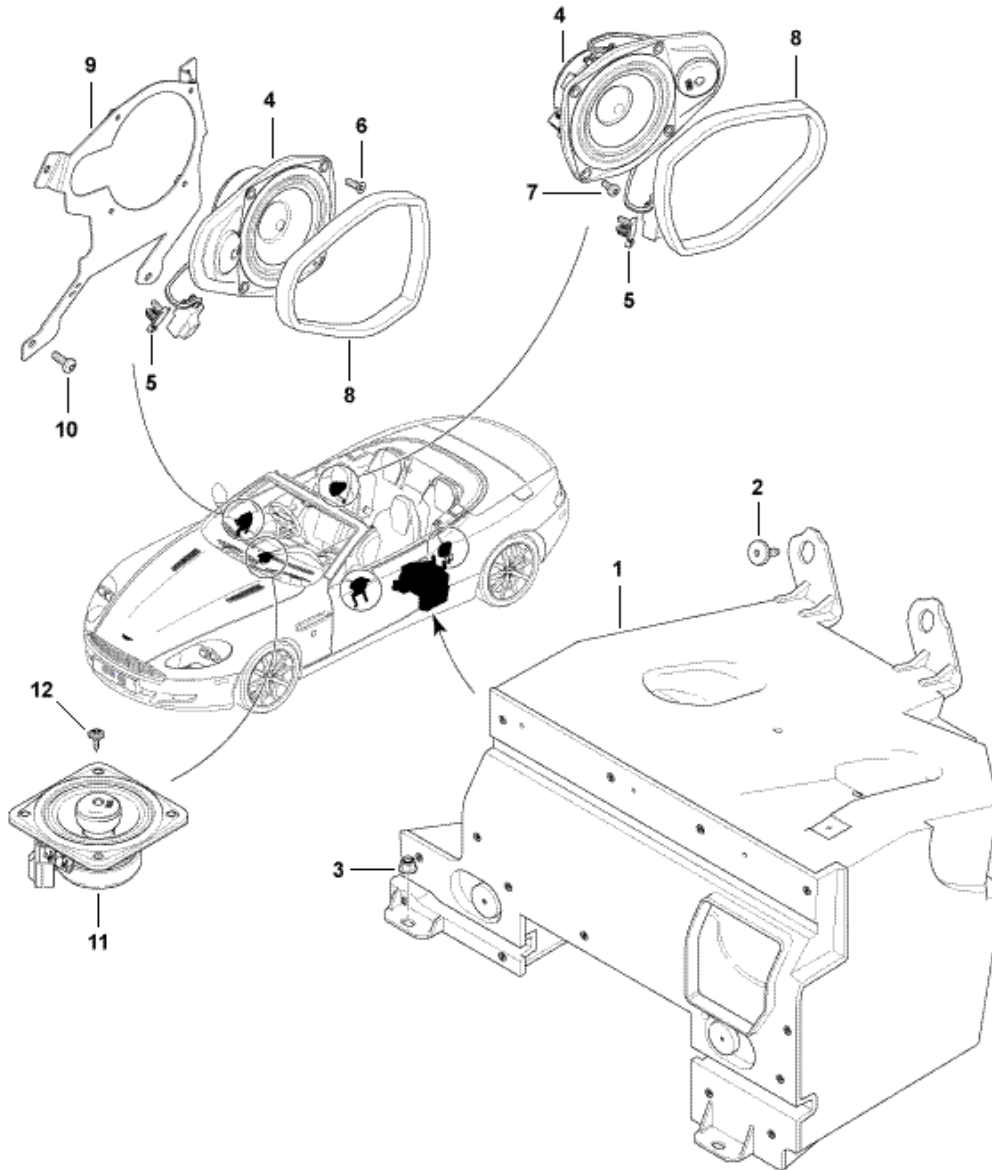
Speaker Assembly 08MY/ 09MY

Item	Part Number	Description	Qty	Remarks
1	8G43-18808-GA	Sub woofer & enclosure	1	08MY
-	9G43-18808-GC	Sub woofer & enclosure	1	09MY
2	6G33-FA0115-AB	Screw, M6 x 20 skt head	2	-
3	703164	Nut, lock, M6	2	-
4	6G33-18808-MA	Speaker, RH side	2	-
-	6G33-18808-JB	Speaker, LH side	2	-
5	6G43-01-10042	Retainer, connector	4	-
6	6G33-503967-AA	Screw, M5 x 16 csk head int torx	8	-
7	703735	Screw, M5 x 12 pan head	8	-
8	6G33-18808-EB	Gasket, speaker	4	-

9	6G33-18808-KC	Bracket, front door speaker, RH side	1	-
-	6G33-18808-LC	Bracket, front door speaker, LH side	1	-
10	701553	Screw, M6 x 16 pan head	8	-
11	6G33-18808-FA	Speaker, centre	1	-
12	701157	Screw, ST 4.2 x 16, large washer head	4	-

DB9

IN VEHICLE ENTERTAINMENT



April 2008

150301-D2

Speaker Assembly Convertible 08MY/09MY

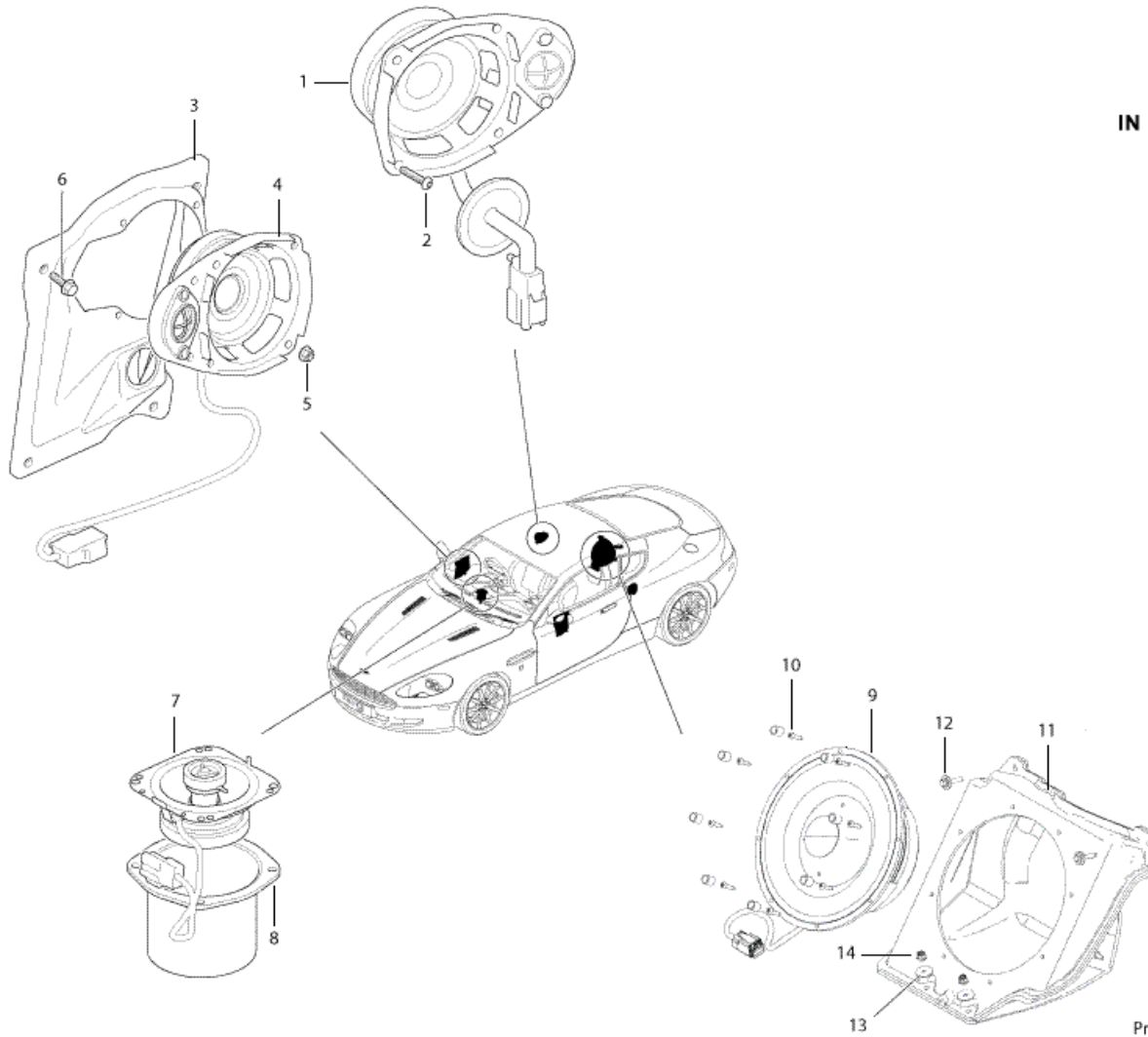
Speaker Assembly Convertible 08MY/ 09MY

Item	Part Number	Description	Qty	Remarks
1	8G43-18808-GA	Sub woofer & enclosure	1	08MY
-	9G43-18808-GC	Sub woofer & enclosure	1	09MY
2	6G33-FA0115-AB	Screw, M6 x 20 skt head	2	-
3	703164	Nut, lock, M6	2	-
4	6G33-18808-MA	Speaker, RH side	2	-
-	6G33-18808-JB	Speaker, LH side	2	-
5	6G43-01-10042	Retainer, connector	4	-
6	6G33-503967-AA	Screw, M5 x 16 csk head int torx	8	-
7	703735	Screw, M5 x 12 pan head	8	-

8	6G33-18808-EB	Gasket, speaker	4	-
9	6G33-18808-KC	Bracket, front door speaker, RH side	1	-
-	6G33-18808-LC	Bracket, front door speaker, LH side	1	-
10	701553	Screw, M6 x 16 pan head	8	-
11	6G33-18808-FA	Speaker, centre	1	-
12	701157	Screw, ST 4.2 x 16, large washer head	4	-

DB9

IN VEHICLE ENTERTAINMENT



May 2007

150301-D3

Premium Speaker Assembly Coupe

Premium Speaker Assembly Coupe

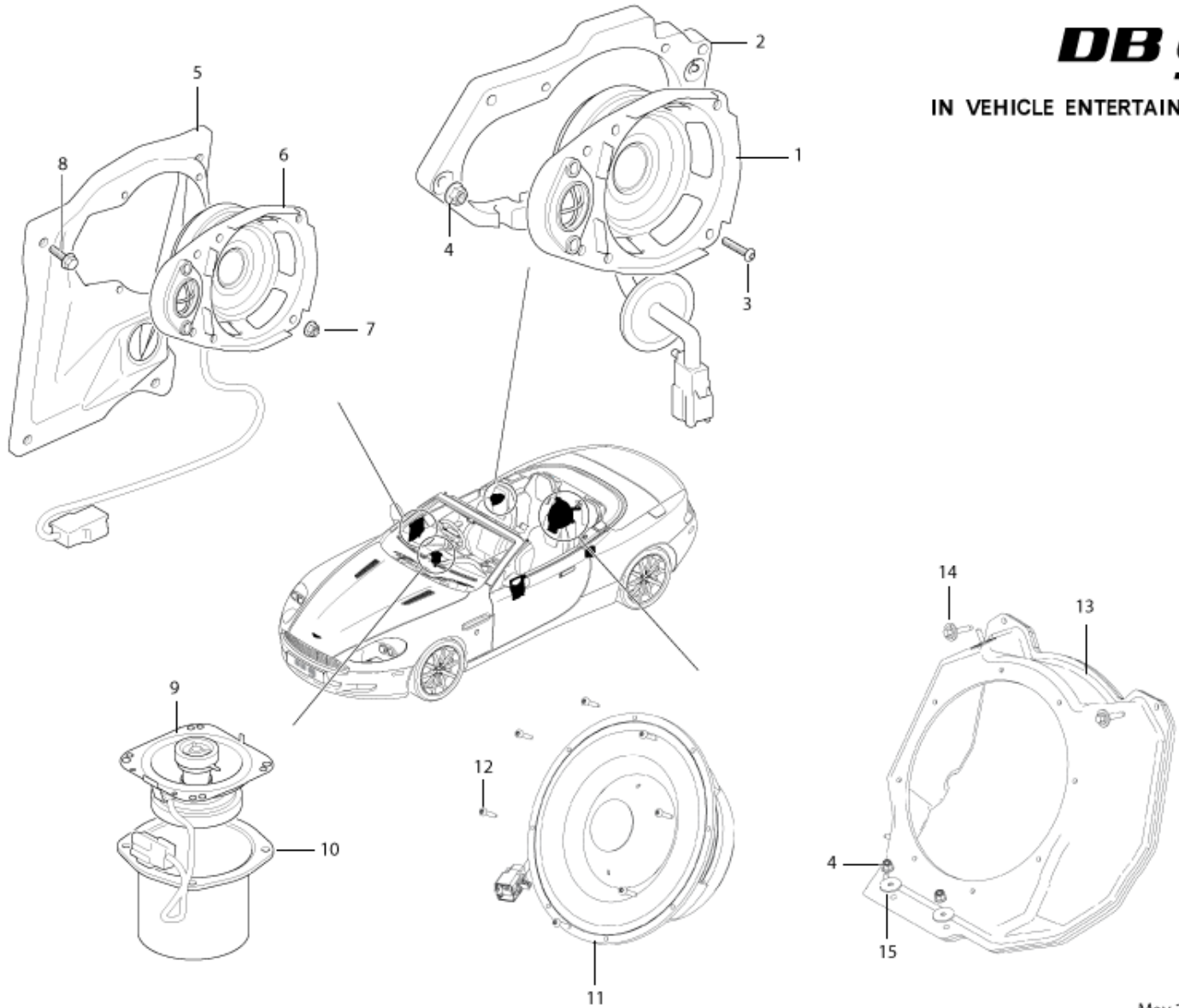
Item	Part Number	Description	Qty	Remarks
1	4G43-18808-LA	Speaker, rear	2	-
2	701669	Screw, M5 x 12, pan head	8	-
3	4G43-18808-EC	Mounting plate, speaker, RH	1	-
-	4G43-18808-FC	Mounting plate, speaker, LH	1	-
4	4G43-18808-AA	Speaker, RH	1	-
-	4G43-18808-AA	Speaker, LH	1	-
5	697479	Nut, M5, speaker door to plt	8	-
6	700250	Bolt, M6 x 16, speaker plate to door	8	-
7	4G43-18808-BA	Speaker, centre facia	1	-
-	701157	Screw, 4.2 x 16 washer head	4	-
8	4G43-19A070-BB	Enclosure, speaker, centre	1	Limbic 5.1
-	4G43-19A070-BA	Enclosure, speaker, centre	1	Dolby pro logic
9	4G43-18808-DA	Sub woofer, high level	1	-

-	6G43-18808-GC	Enclosure, sub woofer, premium	1	-
10	701444	Screw, M5 x 20, tx, speaker to bracket	8	-
-	701556	Screw, M5 x 16	8	-
11	4G43-19A070-MA	Bracket, woofer, 10	1	-
12	701189	Bolt and washer, M6 x 30	2	-
13	697810	Washer, stainless	2	-
14	700142	Nut, M6	2	-
-	4G43-M2D318-AA	Sound deadening, 650 x 230mm	4	-
-	4G43-M2D318-BA	Sound deadening, 360 x 240mm	3	-
-	4G43-M2D318-CA	Sound deadening, 240 x 150mm	2	-

DB9 - IN VEHICLE ENTERTAINMENT

DB9

IN VEHICLE ENTERTAINMENT



May 2007

150301-D4

Premium Speaker Assembly Convertible

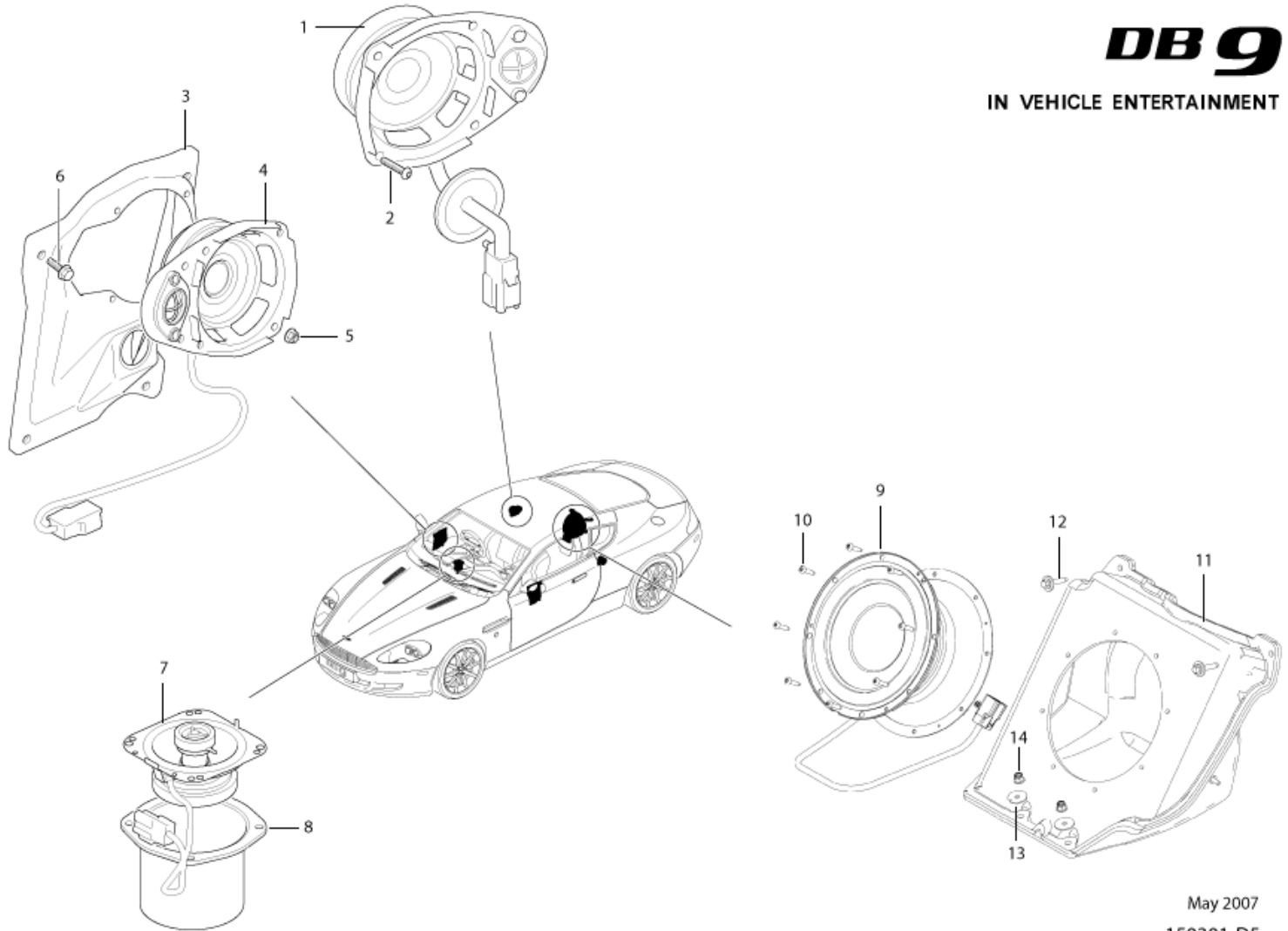
Premium Speaker Assembly Convertible

Item	Part Number	Description	Qty	Remarks
1	4G43-18808-JD	Speaker, rear, RH	1	-
-	4G43-18808-KD	Speaker, rear, LH	1	-
2	4G43-19A070-AE	Infill gasket bracket, rear quarter, RH, Volante	1	-
-	4G43-19A071-AE	Infill gasket bracket, rear quarter, LH, Volante	1	-
3	701449	Screw, M5 x 12, rear speaker to body	8	-
4	700142	Nut, M6	6	-

5	4G43-18808-EC	Mounting plate, speaker, RH	1	-
-	4G43-18808-FC	Mounting plate, speaker, LH	1	-
6	4G43-18808-AA	Speaker, RH	1	-
-	4G43-18808-AA	Speaker, LH	1	-
7	697479	Nut, M5, speaker door to plate	8	-
8	700250	Bolt, M6 x 16, speaker plate to door	8	-
9	4G43-18808-BA	Speaker, centre, facia	1	-
10	4G43-19A070-BB	Enclosure, speaker, centre, Volante	1	Limbic 5.1
11	4G43-18808-DA	Sub woofer, high level	1	-
-	6G43-18808-GC	Enclosure, sub woofer, premium	1	-
12	701444	Screw, M5 x 20, torx, speaker to bracket	8	-
13	4G43-19A070-GA	Sub enclosure, premium woofer, assy 10, Volante	1	-
14	701189	Bolt and washer, M6 x 30	2	-
15	697810	Washer, stainless	2	-
-	4G43-M2D318-AA	Sound deadening, 650 x 230mm	4	-
-	4G43-M2D318-BA	Sound deadening, 360 x 240mm	3	-
-	4G43-M2D318-CA	Sound deadening, 240 x 150mm	2	-

DB9

IN VEHICLE ENTERTAINMENT



May 2007

150301-D5

Base Speaker Assembly Coupe

Base Speaker Assembly Coupe

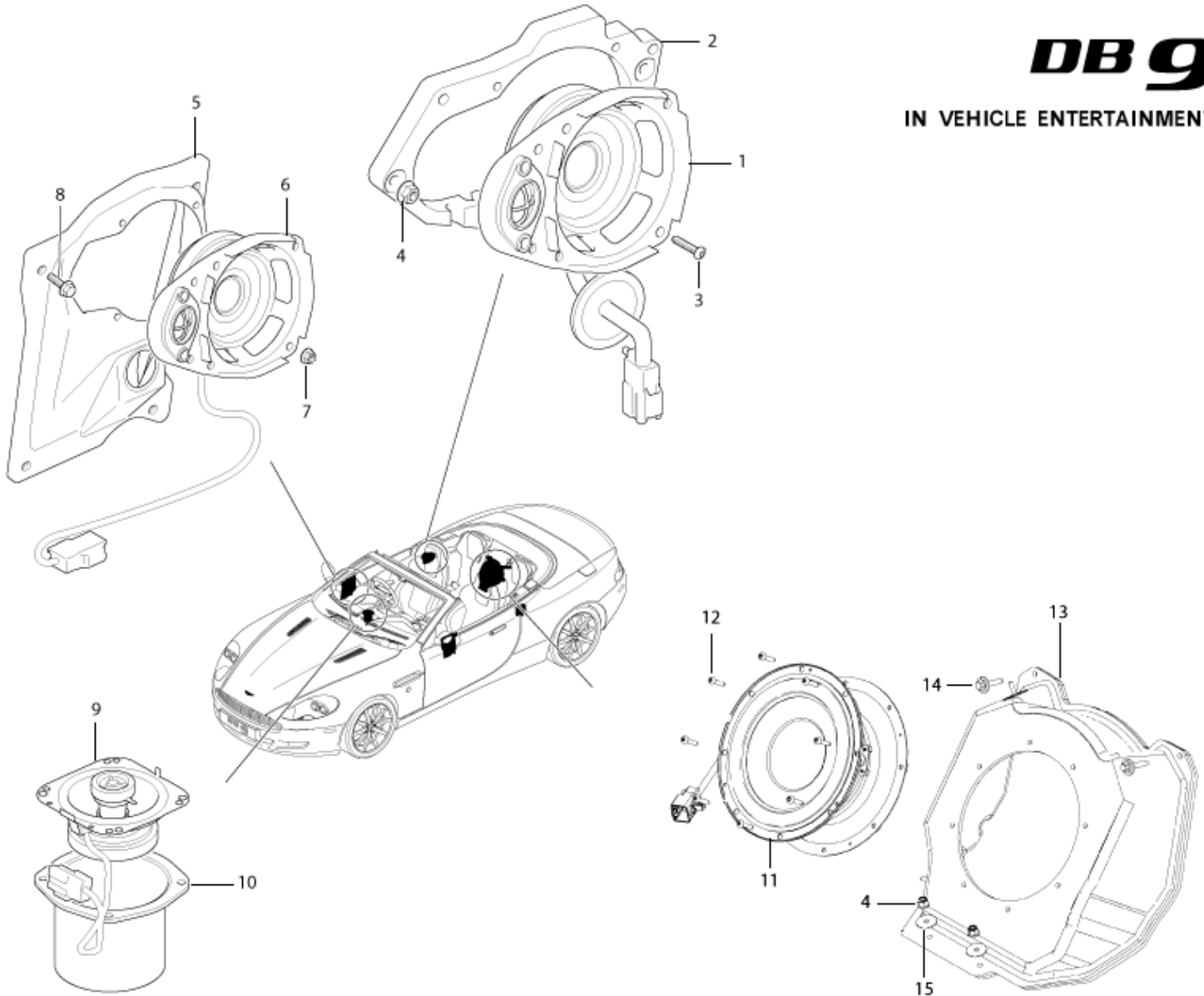
Item	Part Number	Description	Qty	Remarks
1	4G43-18808-LA	Speaker, rear	2	-
2	701669	Screw, M5 x 12, pan head	8	-
3	4G43-18808-EC	Mounting plate, speaker, RH	1	-
-	4G43-18808-FC	Mounting plate, speaker, LH	1	-
4	4G43-18808-AA	Speaker, RH	1	-
-	4G43-18808-AA	Speaker, LH	1	-
5	697479	Nut, M5, speaker door to plt	8	-
6	700250	Bolt, M6 x 16, speaker plate to door	8	-
7	4G43-18808-BA	Speaker, centre facia	1	-
8	4G43-19A070-BB	Enclosure, speaker, centre	1	Limbic 5.1
-	4G43-19A070-BA	Enclosure, speaker, centre	1	Dolby pro logic

9	4G43-18808-CA	Sub woofer, low/medium level	1	-
-	6G43-18808-HB	Enclosure, sub woofer, base spec	1	-
10	701444	Screw, M5 x 20, tx, speaker to bracket	8	-
11	4G43-19A070-NA	Bracket, woofer, 8	1	-
12	701189	Bolt and washer, M6 x 30	2	-
13	697810	Washer, stainless	2	-
14	700142	Nut, M6	2	-
-	4G43-M2D318-AA	Sound deadening, 650 x 230mm	4	-
-	4G43-M2D318-BA	Sound deadening, 360 x 240mm	3	-
-	4G43-M2D318-CA	Sound deadening, 240 x 150mm	2	-

DB9 - IN VEHICLE ENTERTAINMENT

DB9

IN VEHICLE ENTERTAINMENT



May 2007

150301-D6

Base Speaker Assembly Convertible

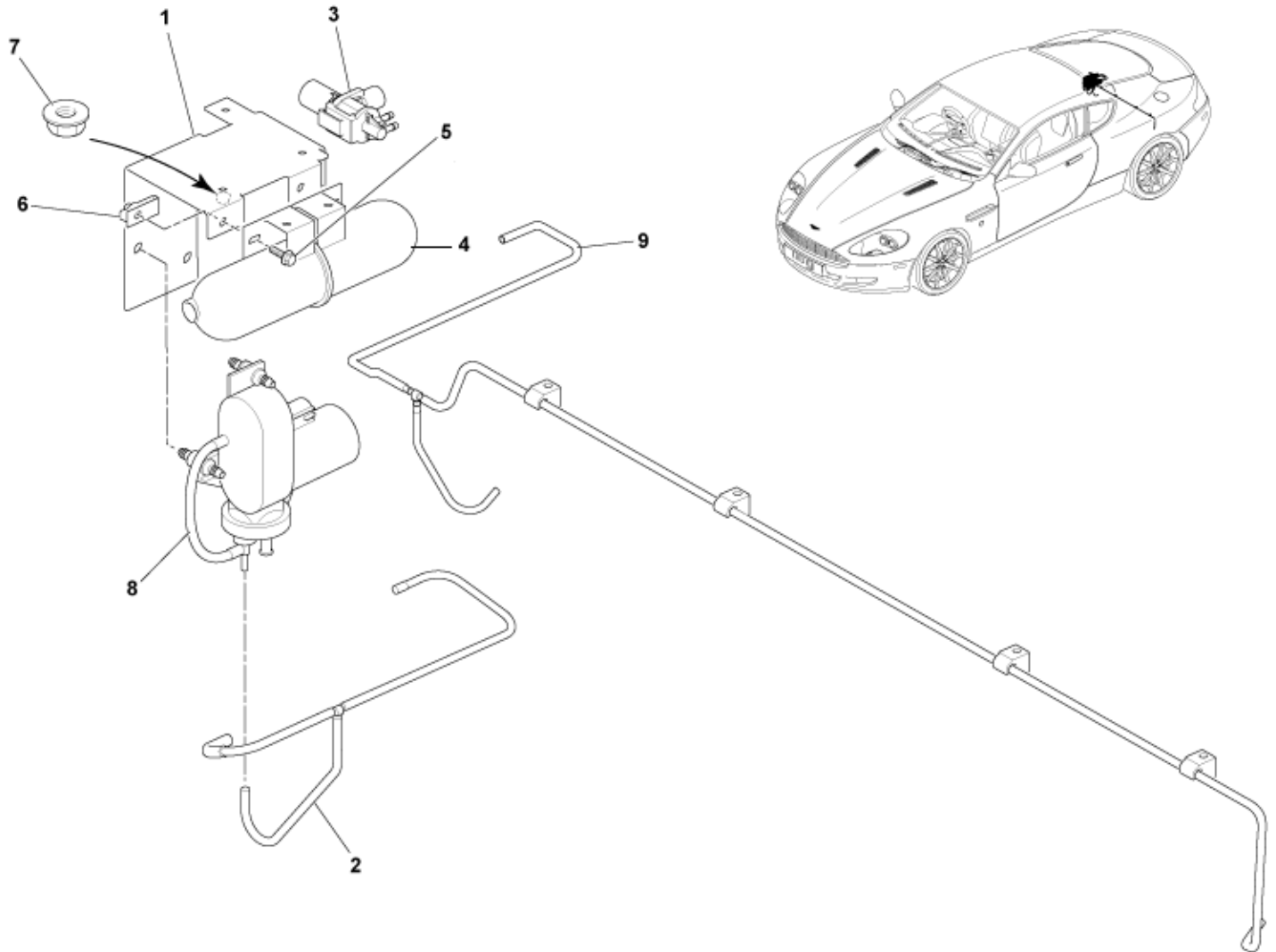
Base Speaker Assembly Convertible

Item	Part Number	Description	Qty	Remarks
1	4G43-18808-JD	Speaker, rear, RH	1	-
-	4G43-18808-KD	Speaker, rear, LH	1	-
2	4G43-19A070-AE	Infill gasket bracket, rear quarter, RH, Volante	1	-
-	4G43-19A071-AE	Infill gasket bracket, rear quarter, LH, Volante	1	-
3	701449	Screw, M5 x 12, rear speaker to body	8	-

4	700142	Nut, M6	4	-
5	4G43-18808-EC	Mounting plate, speaker, RH	1	-
-	4G43-18808-FC	Mounting plate, speaker, LH	1	-
6	4G43-18808-AA	Speaker, RH	1	-
-	4G43-18808-AA	Speaker, LH	1	-
7	697479	Nut, M5, speaker door to plate	8	-
8	700250	Bolt, M6 x 16, speaker plate to door	8	-
9	4G43-18808-BA	Speaker, centre facia	1	-
10	4G43-19A070-BB	Enclosure, speaker, centre	1	Limbic 5.1
11	4G43-18808-CA	Sub woofer assy, 8 Inch, base spec	1	-
-	4G43-18808-HC	Enclosure, sub woofer, standard	1	-
12	701444	Screw, M5 x 20, trx, speaker to bracket	8	-
13	4G43-19A070-HA	Sub enclosure, base woofer, assy 8, Volante	1	-
14	701189	Bolt and washer, M6 x 30	2	-
15	697810	Washer, stainless	2	-
-	4G43-M2D318-AA	Sound deadening, 650 x 230mm	4	-
-	4G43-M2D318-BA	Sound deadening, 360 x 240mm	3	-
-	4G43-M2D318-CA	Sound deadening, 240 x 150mm	2	-

DB9

16 VACUUM DISTRIBUTION



December 2004

160000-S1

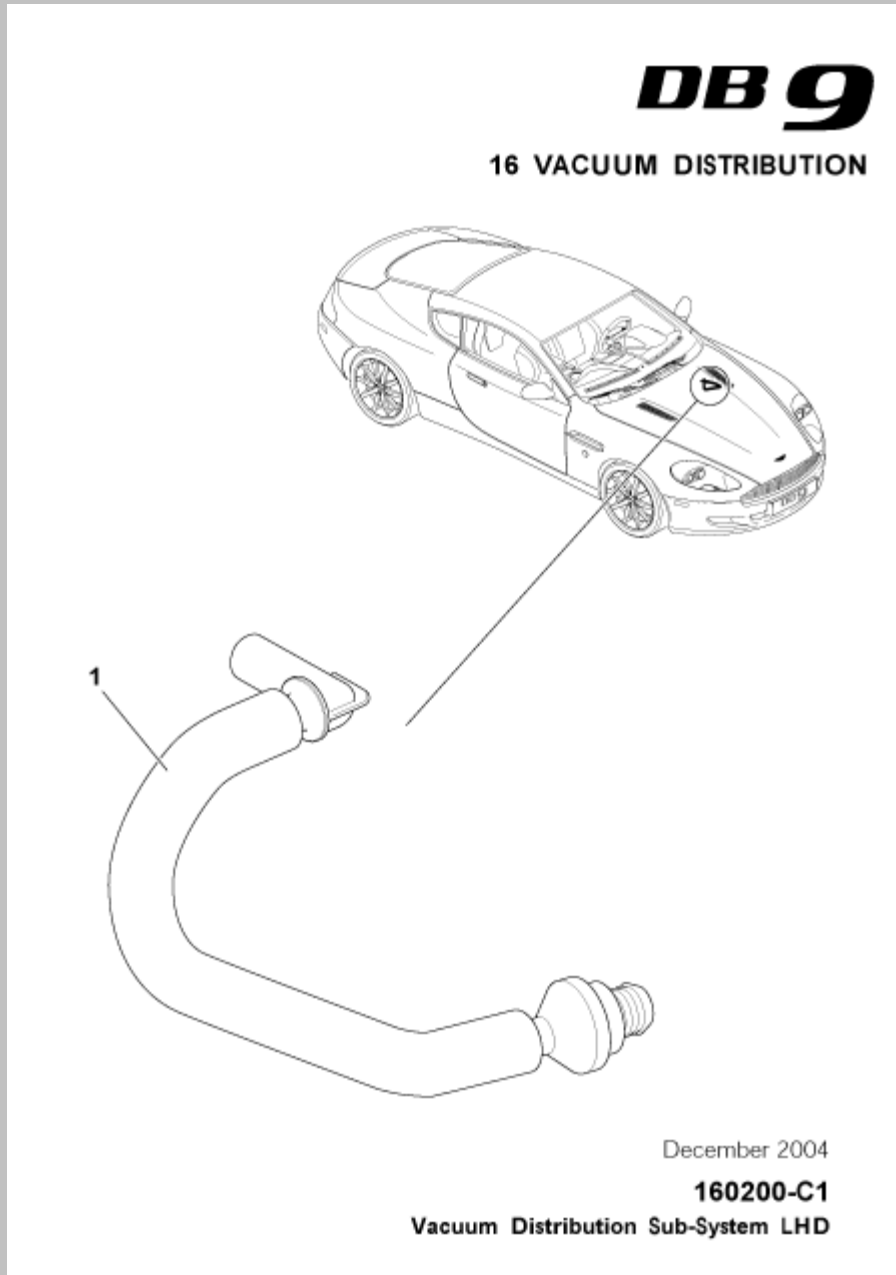
Vacuum Distribution

Vacuum Distribution

Item	Part Number	Description	Qty	Remarks
1	4G43-2C529-AJ	Bracket VAC pump mounting	1	-
2	4G43-9E488-CA	Tube assy, exhaust control valve	1	-
3	1S4Q-7905-AA	Shift trans retro control pdl rod	1	-

4	89-84150	Tank, AC, VAC reservoir	1	-
5	700250	Bolt, M6 x 16	2	-
6	701245	Nut M6	2	-
7	701178	Nut and washer, M6	3	-
8	6G43-16-10034	Pump assy, vacuum	1	-
9	4G43-9E488-AE	Tube assy, exhaust bypass	1	-

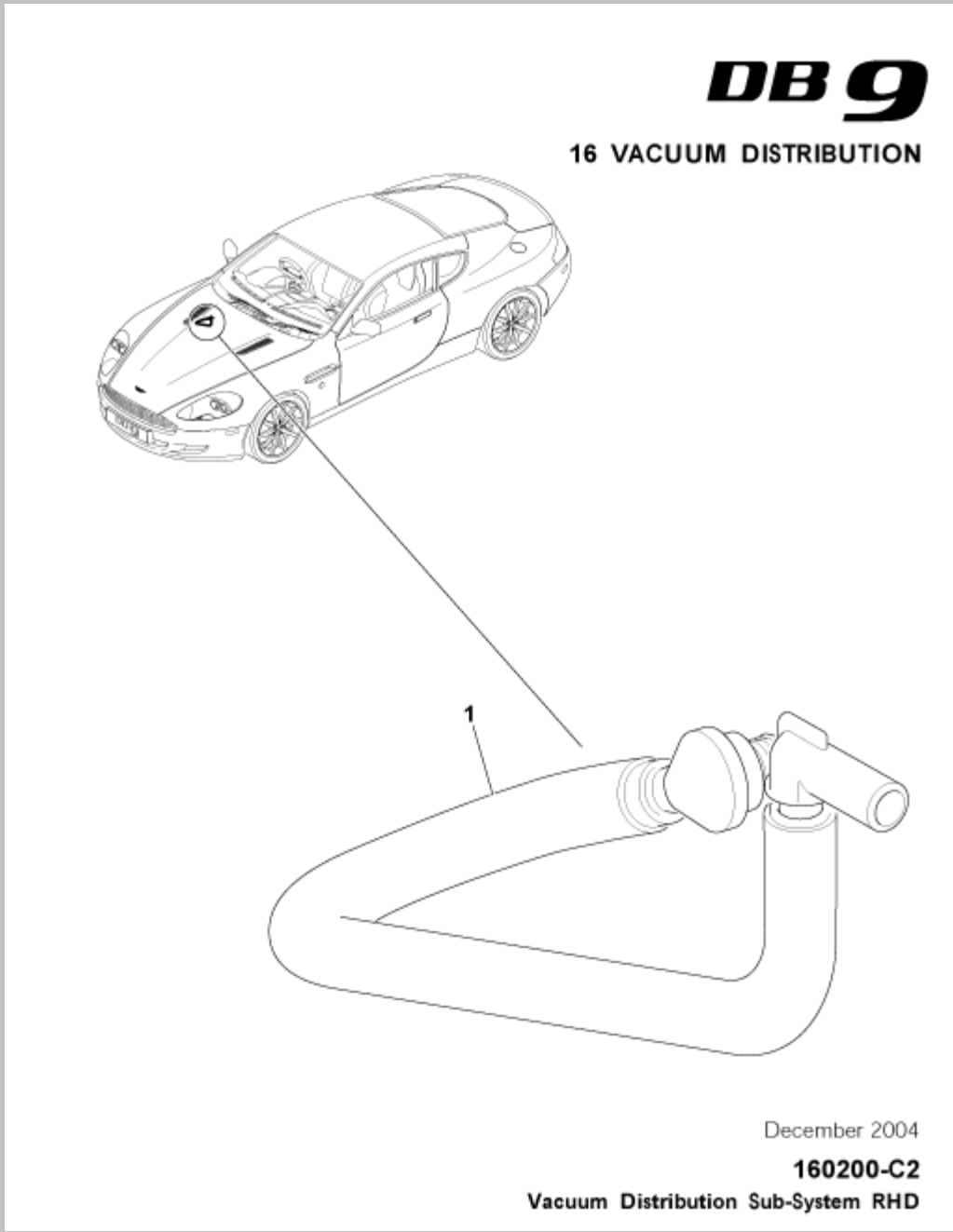
DB9 - VACUUM DISTRIBUTION



Vacuum Distribution Sub-System, LHD

Item	Part Number	Description	Qty	Remarks
1	4G43-J1403-AB	Hose assy, vacuum brake, LHD	1	-

DB9 - VACUUM DISTRIBUTION

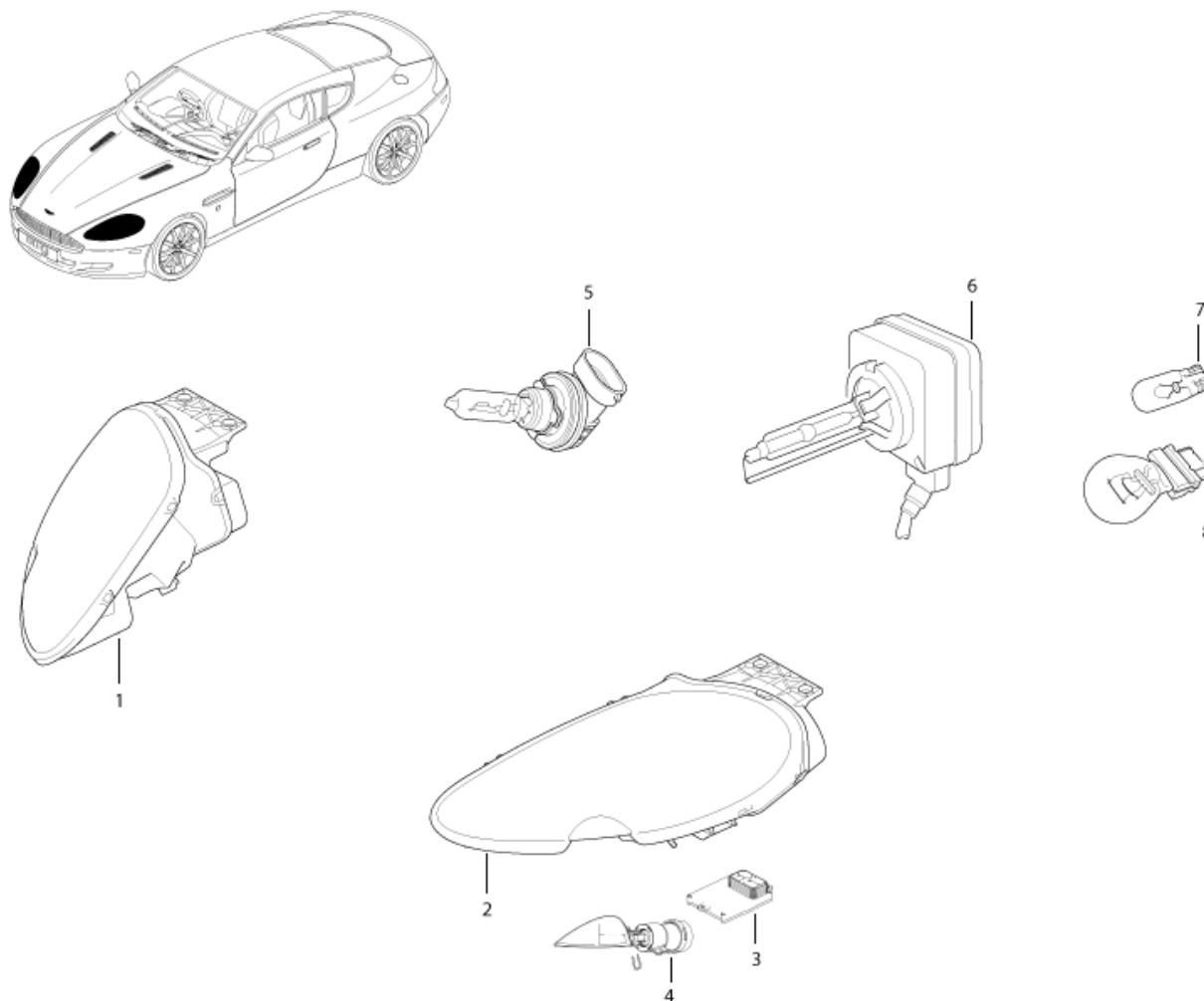


Vacuum Distribution Sub-System - RHD

Item	Part Number	Description	Qty	Remarks
1	4G43-J1403-BB	Hose assy, vacuum brake, RHD	1	-

DB9

17 LIGHTING



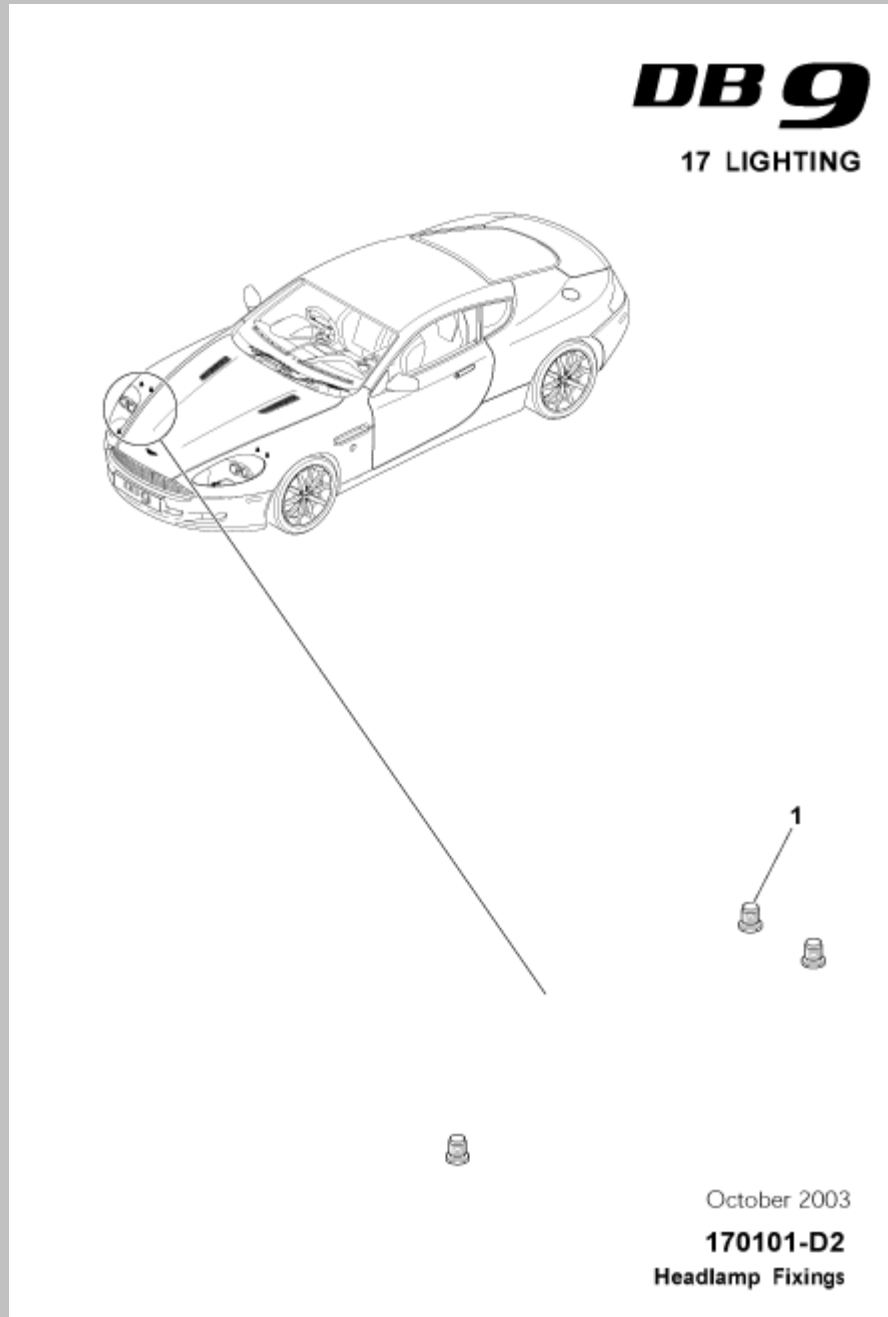
January 2007
170101-D1
Headlamps

Headlamps

Item	Part Number	Description	Qty	Remarks
1	4G43-13W029-AB	Headlamp assy, HID, RH, RHD	1	Wash and levelling
-	4G43-13W029-BB	Headlamp assy, HID, RH, LHD	1	Wash and levelling
-	4G43-13W029-CB	Headlamp assy, HID, RH, Fed	1	Wash and levelling
2	4G43-13W030-AB	Headlamp assy, HID, LH, RHD	1	Wash and levelling
-	4G43-13W030-BB	Headlamp assy, HID, LH, LHD	1	Wash and levelling
-	4G43-13W030-CB	Headlamp assy, HID, LH, Fed	1	Wash and levelling
3	4G43-13C169-AA	Module, ballast		-
4	4G43-13C025-AB	Jet wash cover, nozzle & pump, LH	1	-
-	4G43-13C024-AB	Jet wash cover, nozzle & pump, RH	1	-
-	4G43-13C024-AA	Jet wash cover and clip assy, RH	1	-Does not include pump
-	4G43-13C025-AA	Jet wash cover and clip assy, LH	1	-Does not include pump

5	4G43-99703-AA	Bulb, main beam, 65W H9		Main Beam
6	4G43-13N021-AA	Bulb, dip, HID		Dip Beam (HID)
7	4G43-13465-AA	Bulb, blue- W5W		Side lights
8	4G43-13465-BA	Bulb, amber, PY27/7W		Indicator

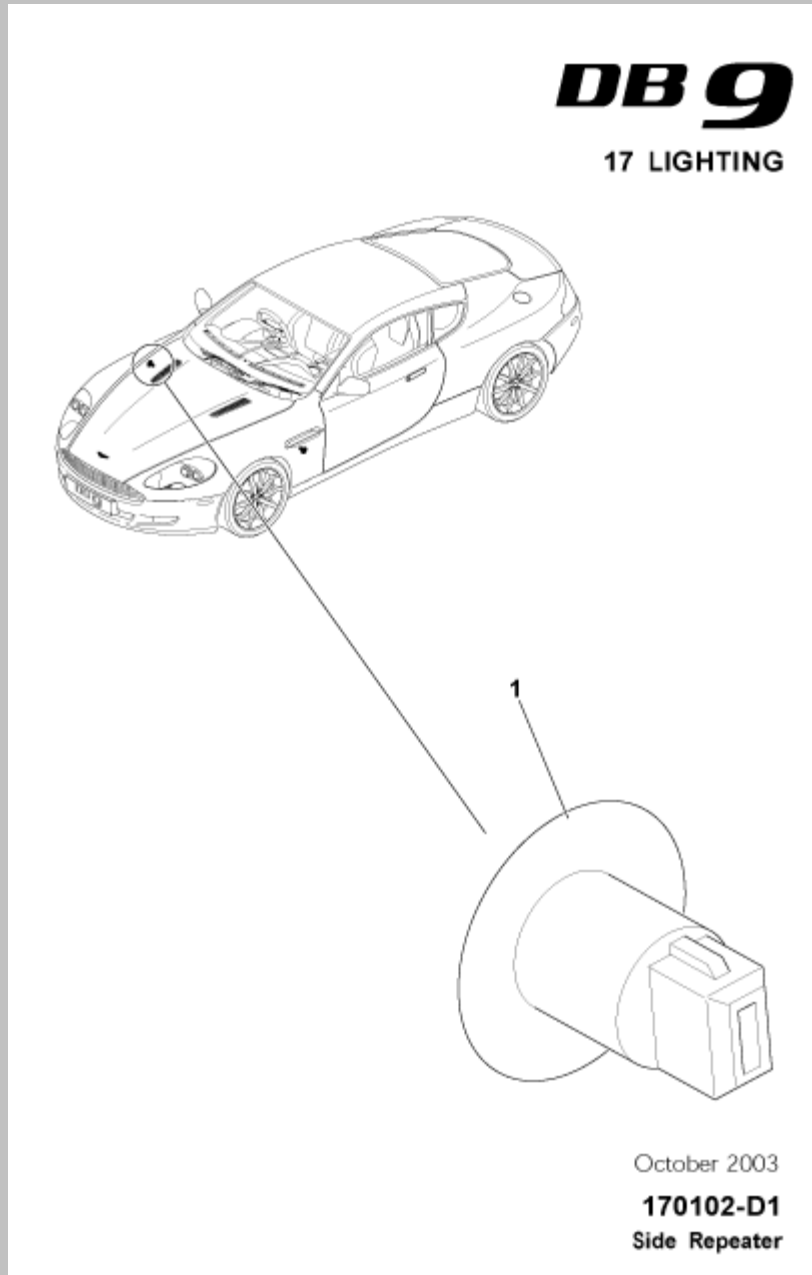
DB9 Lighting



Headlamp Fixings

Item	Part Number	Description	Qty	Remarks
1	4G43-13037-AC	Adjuster, M20, headlamp	6	-
-	703144	Bolt, flg, M6 x 45	6	-
-	697810	Washer, M6 x 25 x 1.6	6	-

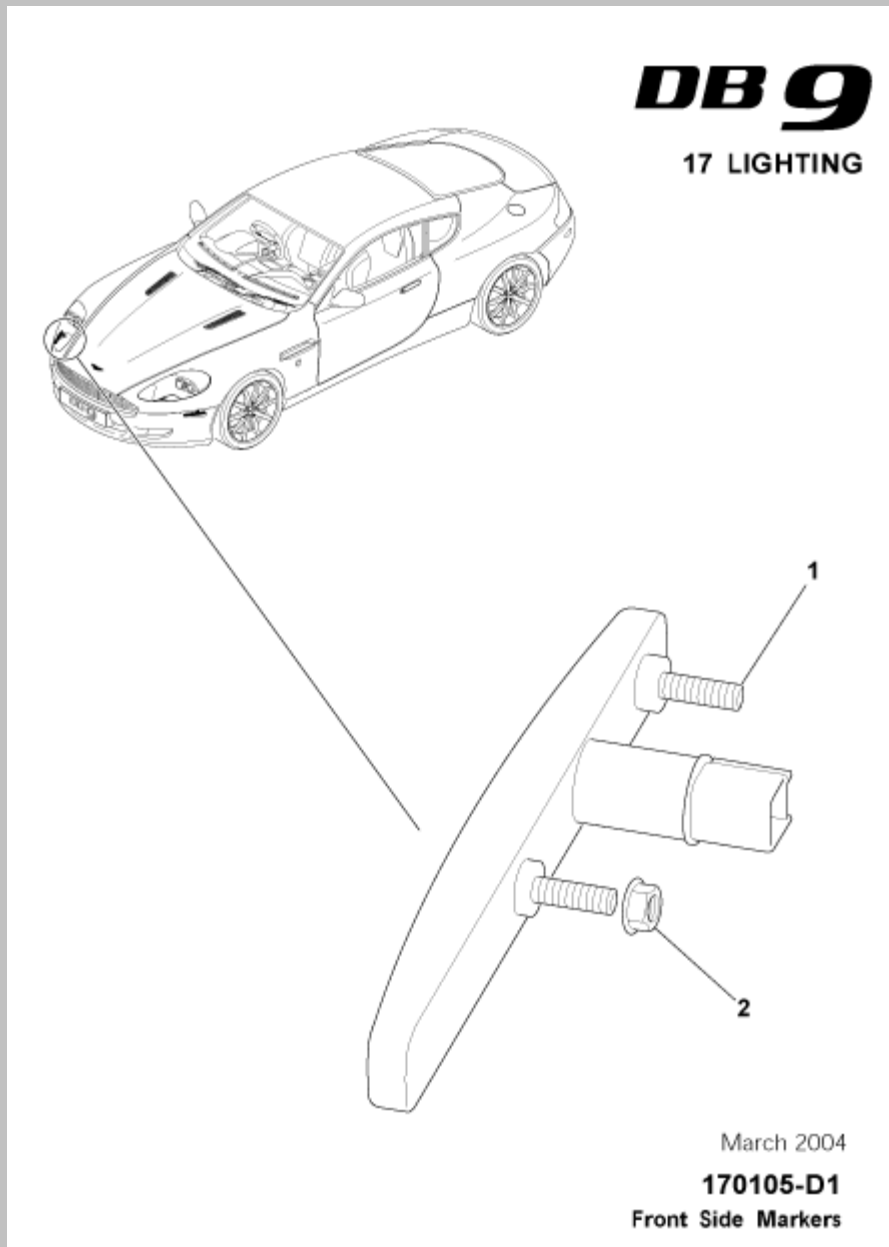
DB9 Lighting



Side Repeater

Item	Part Number	Description	Qty	Remarks
1	4G43-13K376-AA	Repeater, side	2	-

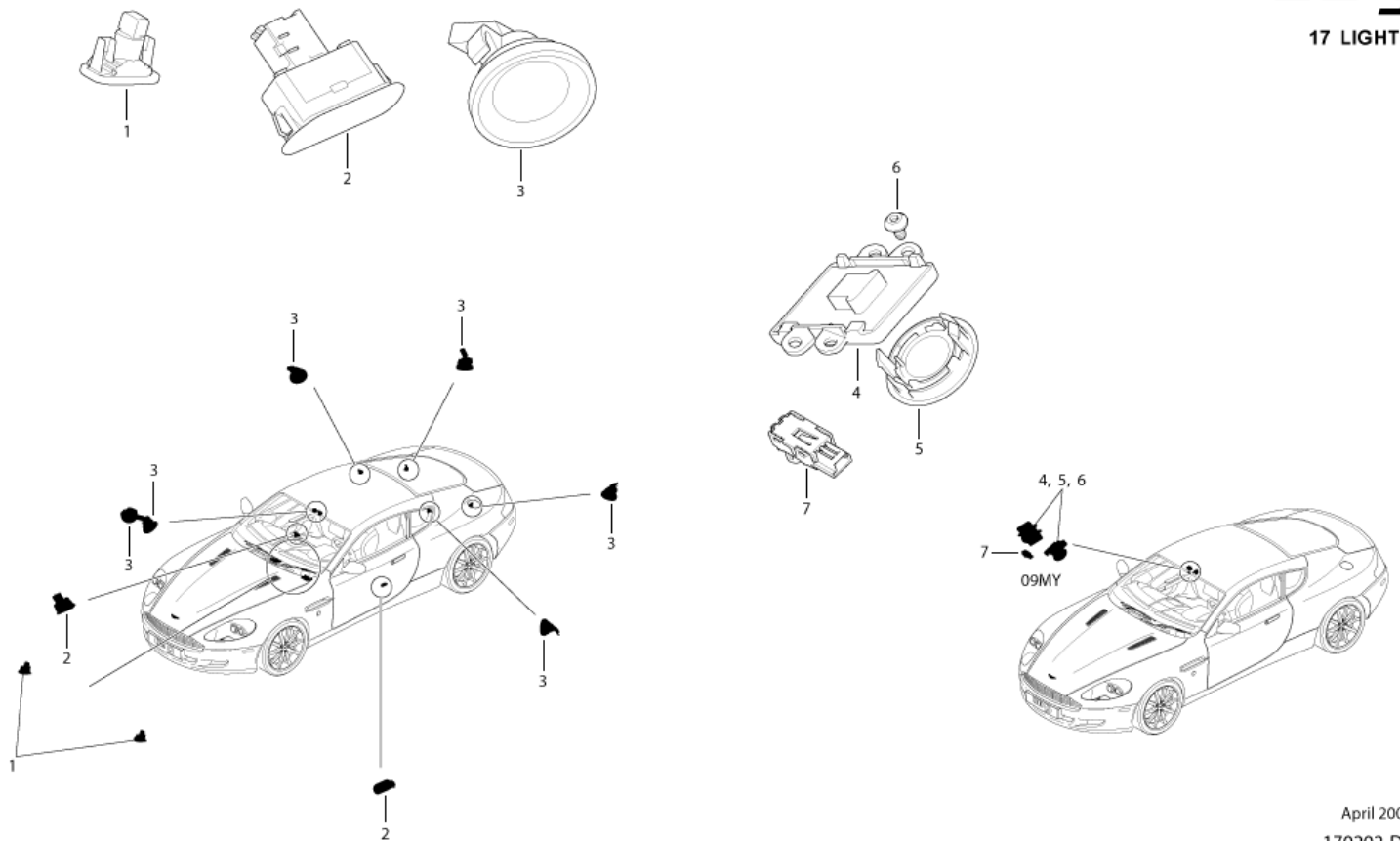
DB9 - LIGHTING



Front Side Markers

Item	Part Number	Description	Qty	Remarks
1	4G43-15A424-AA	Side marker, front	2	Federal
2	4G43-83000-BB	Nut, M5 speed	4	-

DB9
17 LIGHTING

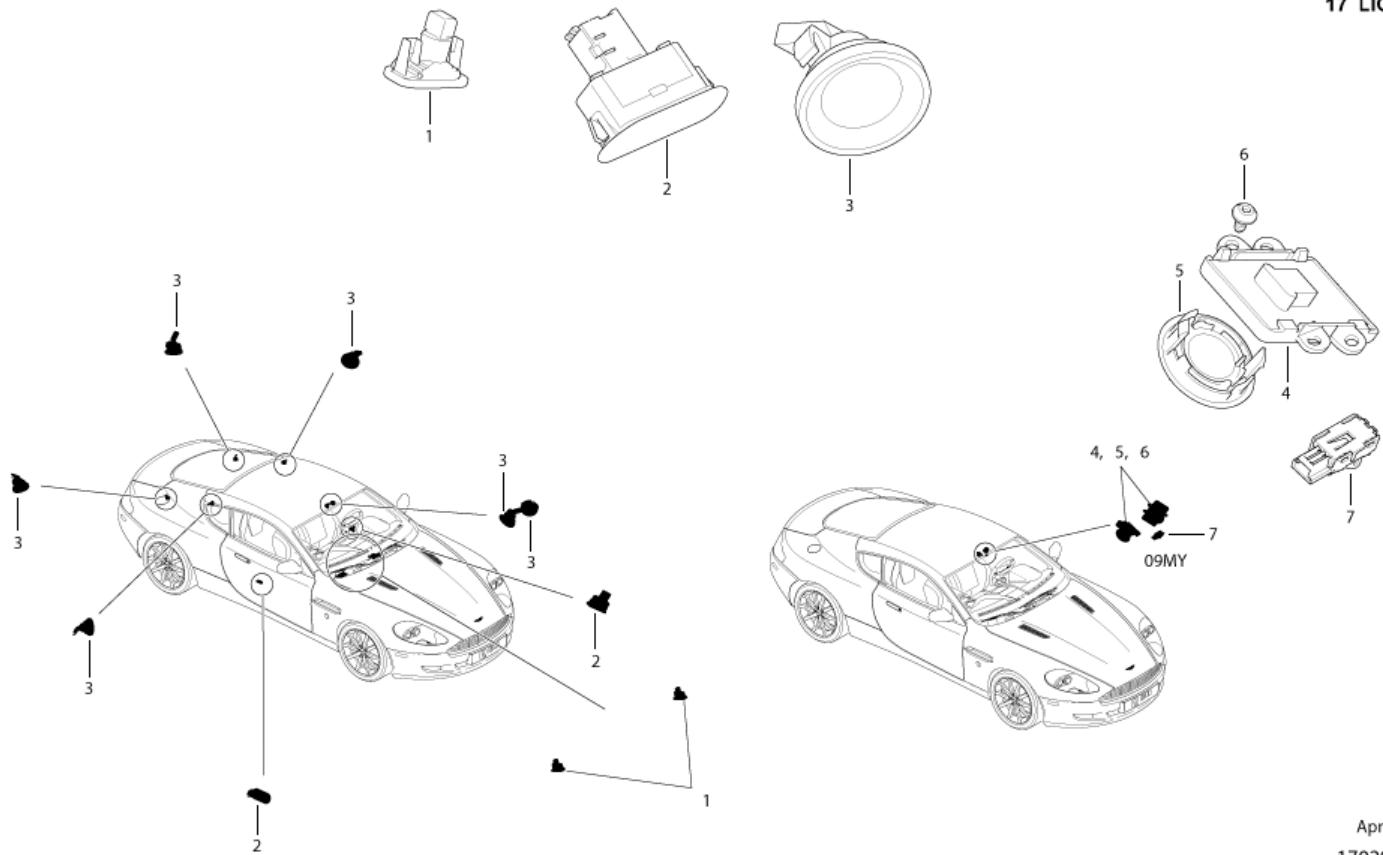


April 2008
170202-D1
Courtesy Lighting, LHD

Courtesy Lighting, LHD

Item	Part Number	Description	Qty	Remarks
1	1R12-37-10132	Lamp, interior footwell	2	-
-	8D33-13K705-AA	Lamp, interior footwell	2	09MY
2	4G43-37-10018	Lamp, door ajar, puddle	2	-
3	4G43-37-10019	Lamp, map, rear area	2	-
-	4G43-37-10019	Lamp, map, mounted on header	2	-
-	9G43-13776-AA	Lamp, map, rear area	2	09MY
-	9G43-13776-AA	Lamp, map, mounted on header	2	09MY
4	8D33-13D764-AB	LED map lamp, housing assy	2	09MY
5	8D33-13B716-AB	Lens and bezel, LED map lamp	2	09MY
6	4G43-80899-AA	Screw, M4 x 8	8	09MY
7	8D33-13B626-AA	LED, ambient lamp	1	09MY

DB9
17 LIGHTING

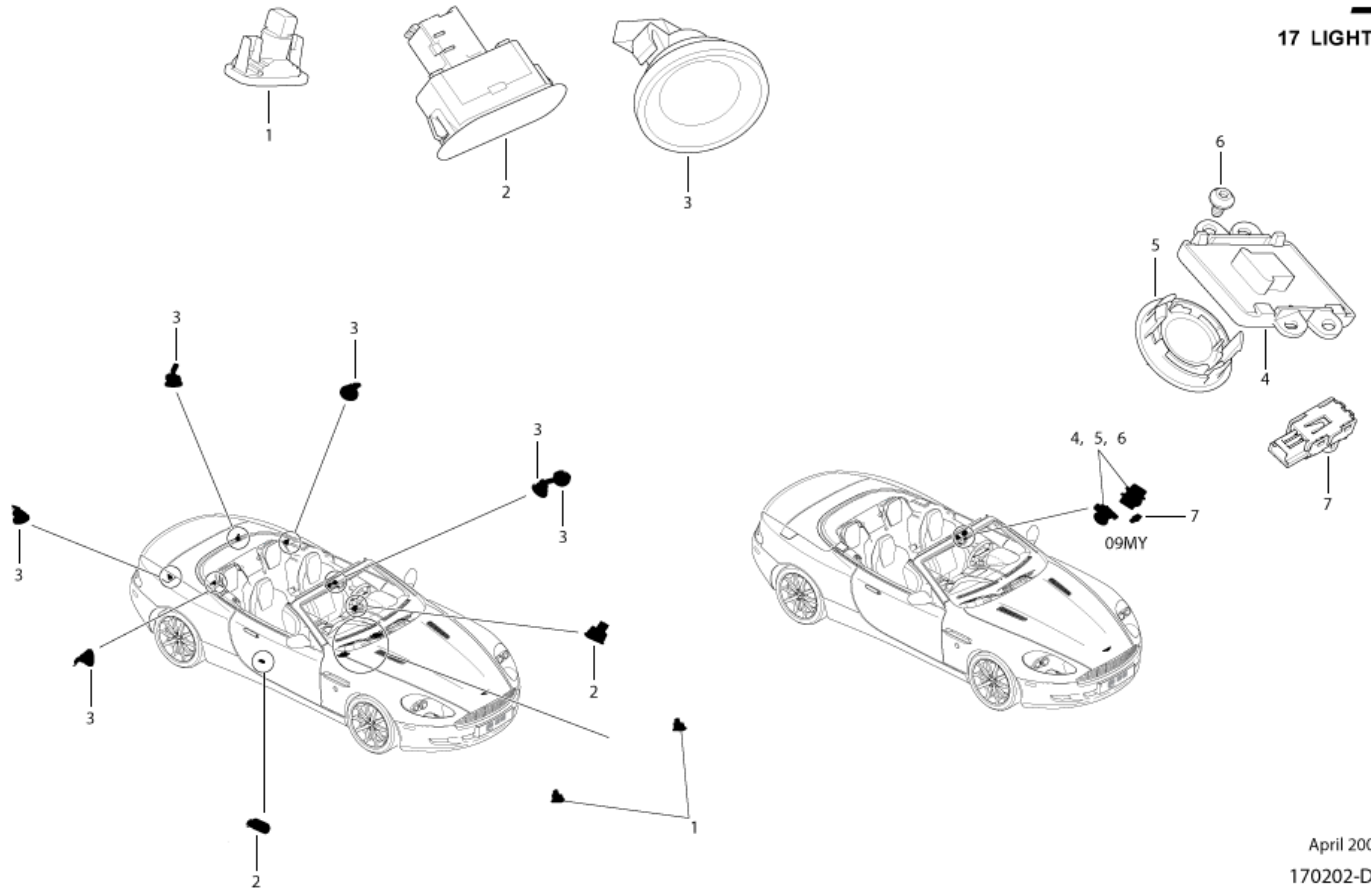


April 2008
170202-D2
Courtesy Lighting, RHD

Courtesy Lighting, RHD

Item	Part Number	Description	Qty	Remarks
1	1R12-37-10132	Lamp, interior footwell	2	-
-	8D33-13K705-A	Lamp, interior footwell	2	09MY
2	4G43-37-10018	Lamp, door ajar, puddle	2	-
3	4G43-37-10019	Lamp, map, rear area	2	-
-	4G43-37-10019	Lamp, map, mounted on header	2	-
-	9G43-13776-AA	Lamp, map, rear area	2	09MY
-	9G43-13776-AA	Lamp, map, mounted on header	2	09MY
4	8D33-13D764-AB	LED map lamp, housing assy	2	09MY
5	8D33-13B716-AB	Lens and bezel, LED map lamp	2	09MY
6	4G43-80899-AA	Screw, M4 x 8	8	09MY
7	8D33-13B626-AA	LED, ambient lamp	1	09MY

DB9
17 LIGHTING

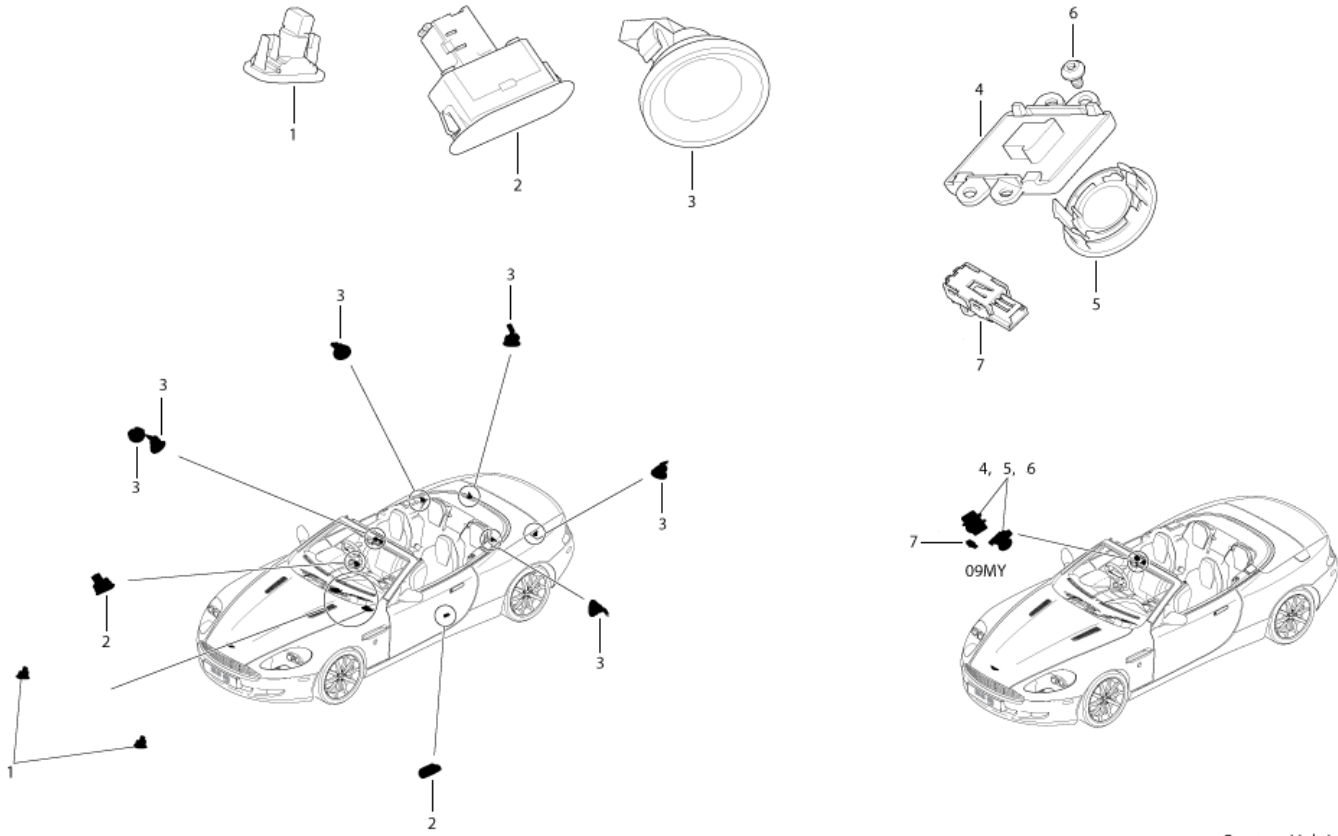


April 2008
170202-D3
Courtesy Lighting, VOLANTE- LHD

Courtesy Lighting, VOLANTE - LHD

Item	Part Number	Description	Qty	Remarks
1	1R12-37-10132	Lamp, interior footwell	2	-
-	8D33-13K705-AA	Lamp, interior footwell	2	09MY
2	4G43-37-10018	Lamp, door ajar, puddle	2	-
3	4G43-37-10019	Lamp, map, rear area	2	-
-	4G43-37-10019	Lamp, map, mounted on header	2	-
-	9G43-13776-AA	Lamp, map, rear area	2	09MY
-	9G43-13776-AA	Lamp, map, mounted on header	2	09MY
4	8D33-13D764-AB	LED map lamp, housing assy	2	09MY
5	8D33-13B716-AB	Lens and bezel, LED map lamp	2	09MY
6	4G43-80899-AA	Screw, M04 x 8	8	09MY
7	8D33-13B626-AA	LED, ambient lamp	1	09MY

DB9
17 LIGHTING

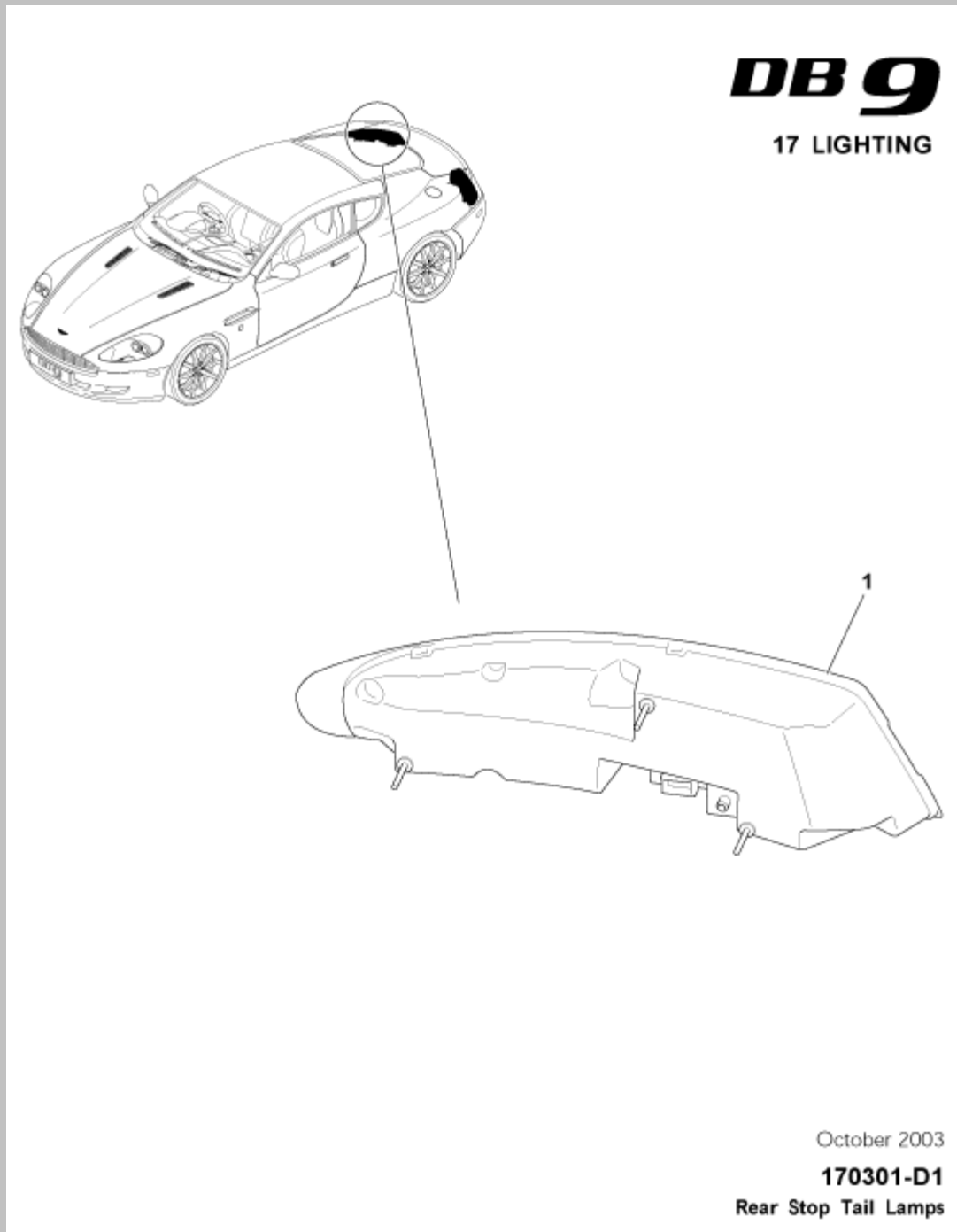


April 2008
170202-D4
Courtesy Lighting, VOLANTE- RHD

Courtesy Lighting, VOLANTE - RHD

Item	Part Number	Description	Qty	Remarks
1	1R12-37-10132	Lamp, interior footwell	2	-
-	8D33-13K705-AA	Lamp, interior footwell	2	09MY
2	4G43-37-10018	Lamp, door ajar, puddle	2	-
3	4G43-37-10019	Lamp, map, rear area	2	-
-	4G43-37-10019	Lamp, map, mounted on header	2	-
-	9G43-13776-AA	Lamp, map, rear area	2	09MY
-	9G43-13776-AA	Lamp, map, mounted on header	2	09MY
4	8D33-13D764-AB	LED map lamp, housing assy	2	09MY
5	8D33-13B716-AB	Lens and bezel, LED map lamp	2	09MY
6	4G43-80899-AA	Screw, M4 x 8	8	09MY
7	8D33-13B626-AA	LED, ambient lamp	1	09MY

DB9 Lighting



Rear Stop Tail Lamps

Item	Part Number	Description	Qty	Remarks
1	4G43-13404-AC	Lamp assy, rear, RH	1	07MY
-	4G43-13404-AD	Lamp assy, rear, RH	1	08MY Up to 10/10/07
-	4G43-13404-AF	Lamp assy, rear, RH	1	08MY From 10/10/07
-	8D33-13404-AD	Lamp assy, rear, RH	1	Le Mans

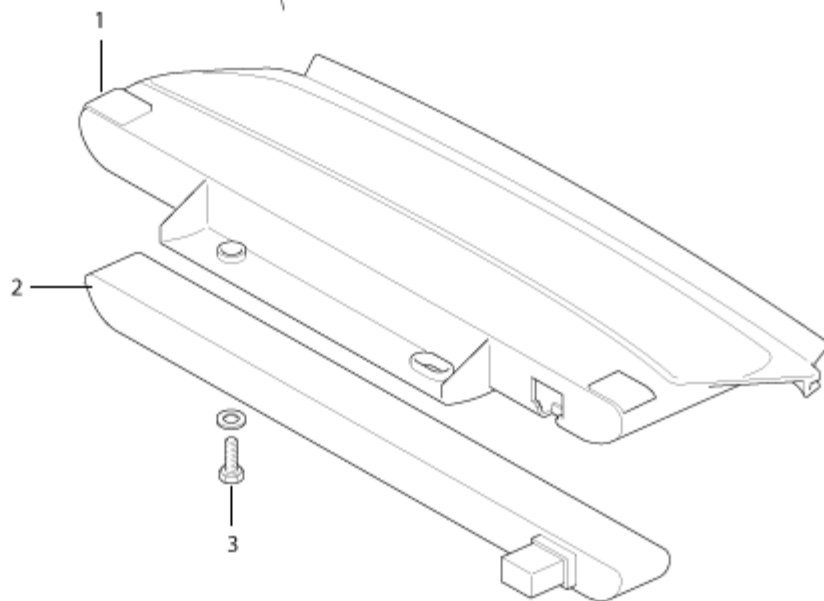
-	4G43-13405-AC	Lamp assy, rear, LH	1	07MY
-	4G43-13405-AD	Lamp assy, rear, LH	1	08MY Up to 10/10/07
-	4G43-13405-AF	Lamp assy, rear, LH	1	08MY From 10/10/07
-	8D33-13405-AD	Lamp assy, rear, LH	1	Le Mans

DB9 - LIGHTING



DB9

17 LIGHTING



August 2005

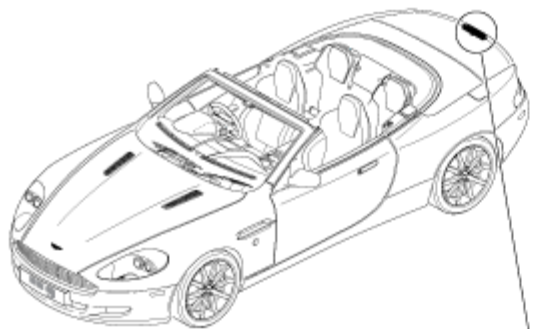
170301-D2

Centre High Mounted Stop Light

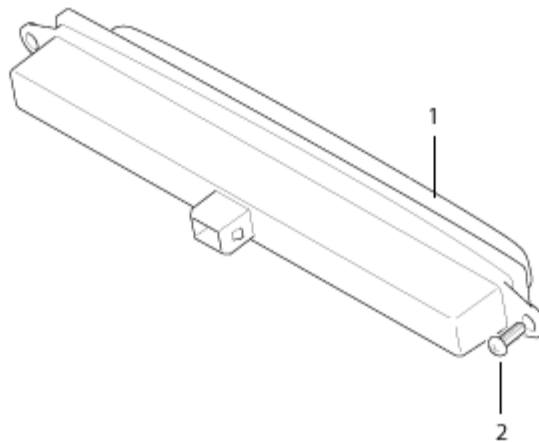
Centre High Mounted Stop Light

Item	Part Number	Description	Qty	Remarks
1	4G43-13N408-AB	Lamp assy, CHMSL, coupe	1	Trimmed
2	4G43-70077-AA	Lamp unit, CHMSL	1	-
3	701573	Screw/washer, M4 x 16	2	-

DB9 - LIGHTING



DB9
17 LIGHTING



December 2004

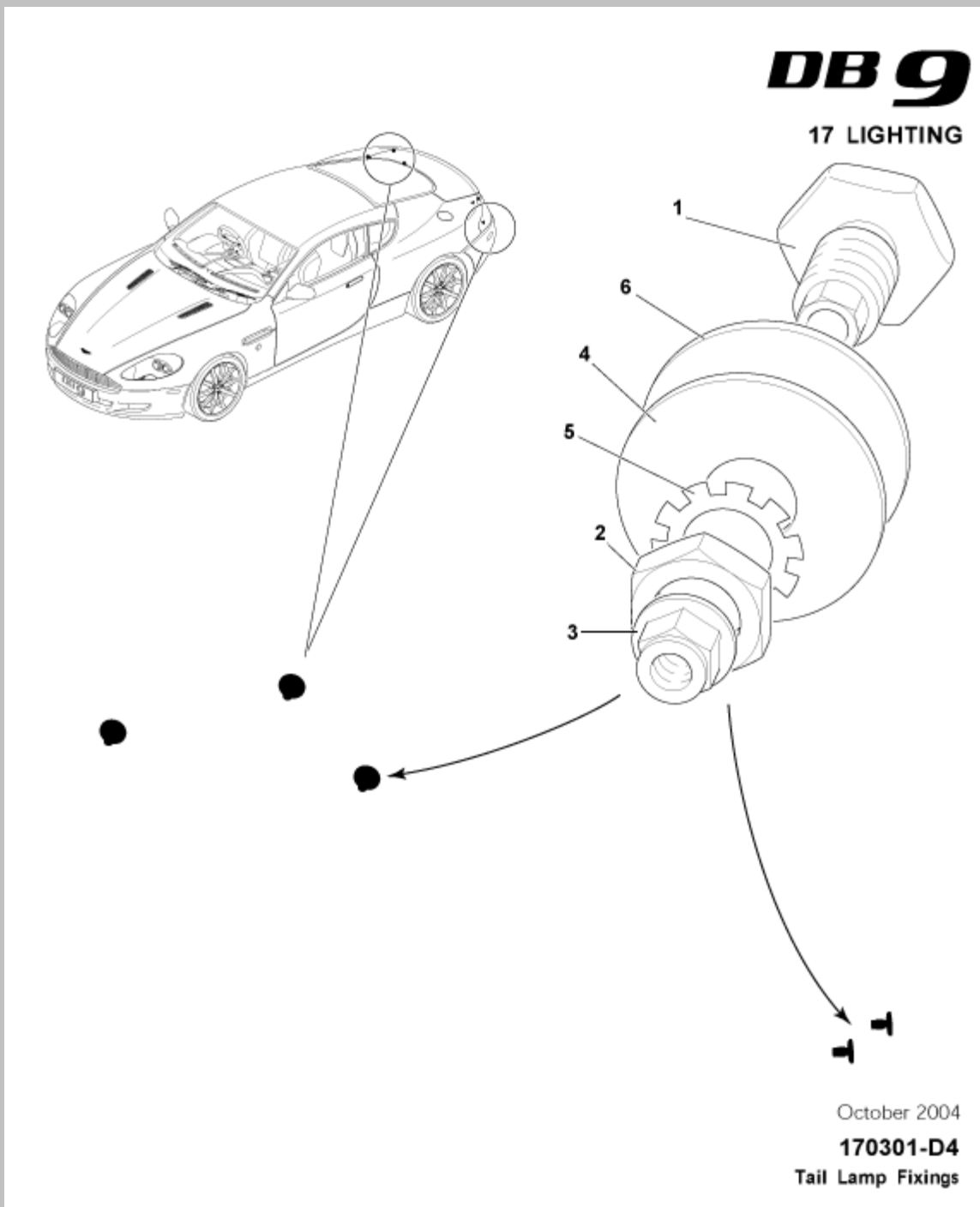
170301-D3

Centre High Mounted Stop Lamp, VOLANTE

Centre High Mounted Stop Lamp, VOLANTE

Item	Part Number	Description	Qty	Remarks
1	4G43-13N408-BD	Lamp assy, CHMSL, volante	1	-
2	700986	Screw/wa, M4 x 16 CHMSL to d/lid	2	-

DB9 - LIGHTING

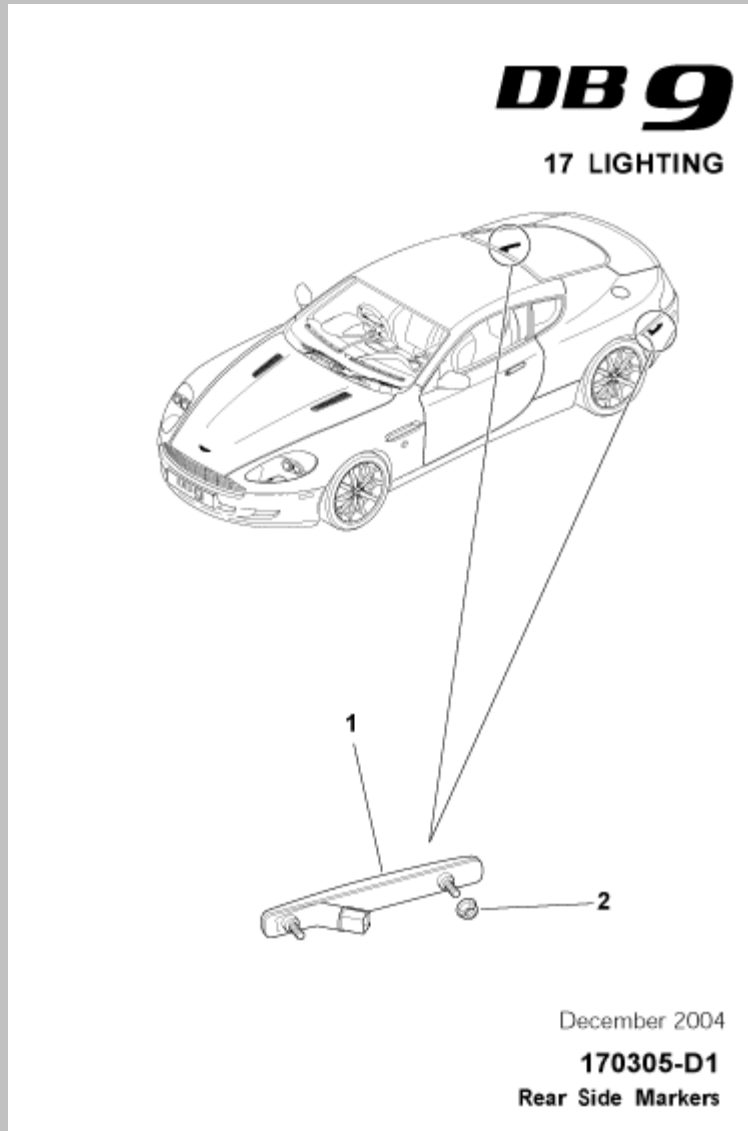


Tail Lamp Fixings

Item	Part Number	Description	Qty	Remarks
1	4G43-15A303-BA	Collar, tail lamp adjuster	6	-
2	701646	Halfnut, M12 x 1.75	6	-
3	700142	Nut, flg, M6 lock	6	-
4	703129	Washer, M12, large OD	6	-

5	703130	Washer, sprf ext, M12	6	-
6	4G43-13520-AA	Seal, tail lamp fixing	6	-
-	AD43-13520-AB	Lamp adjuster (2 stud lamp assy)	2	-From 10.75MY

DB9 - LIGHTING



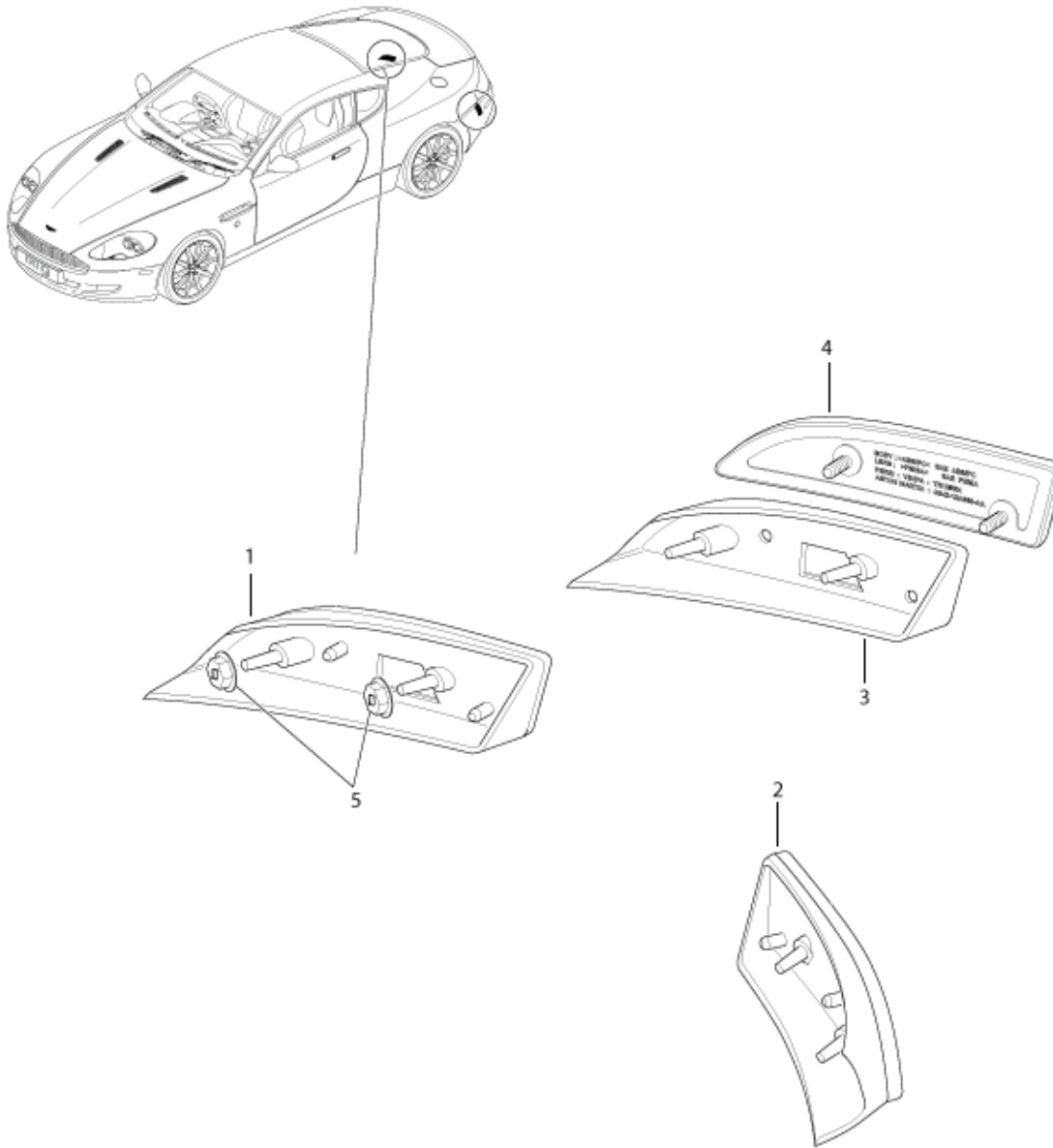
Rear Side Markers

Item	Part Number	Description	Qty	Remarks
1	4G43-13B454-AA	Side marker, rear	2	Federal
2	4G43-83000-BB	Nut, M5 speed	4	-

DB9 - LIGHTING

DB9

17 LIGHTING



April 2008
170306-D1
Rear Reflectors

Rear Reflectors

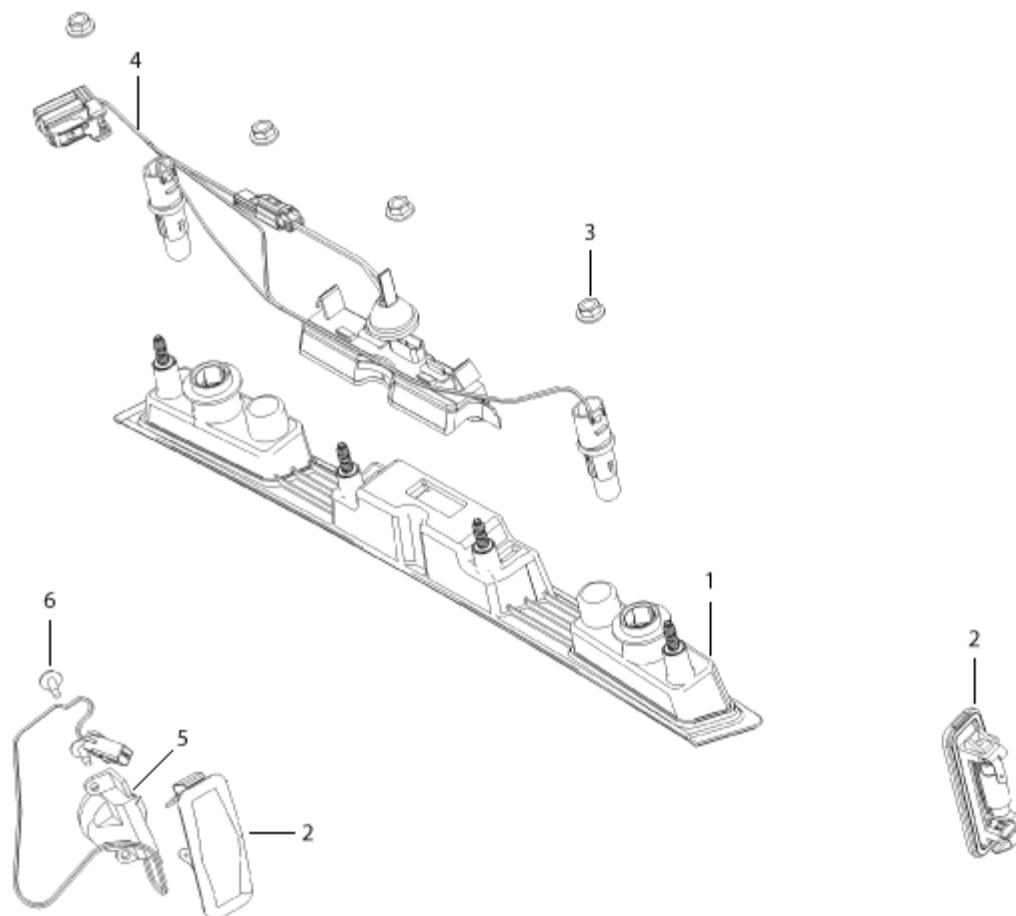
Item	Part Number	Description	Qty	Remarks
1	4G43-13A570-AA	Reflector & plinth assy, RH	1	07/08MY
2	4G43-13A571-AA	Reflector & plinth assy, LH	1	07/08MY
3	4G43-17A849-AA	Plinth, reflector, RH	1	09MY
-	4G43-17E847-AA	Plinth, reflector, LH	1	09MY
4	4G43-13A565-AA	Reflector, RH	1	09MY

-	4G43-13A566-AA	Reflector, LH	1	09MY
5	4G43-83000-BB	Nut, M5, speed	8	-

DB9 - LIGHTING

DB9

17 LIGHTING



When fitting item 1 4G43-N43400-AB to a car with a VIN prior to (V) A04019 the following bracket is required to be fitted.

4G43-C13A202-AB closing plate-Coupe.

4G43-L13A203-AC closing plate-Volante

March 2006

170308-D1

Licence plate Illumination

Licence Plate Illumination

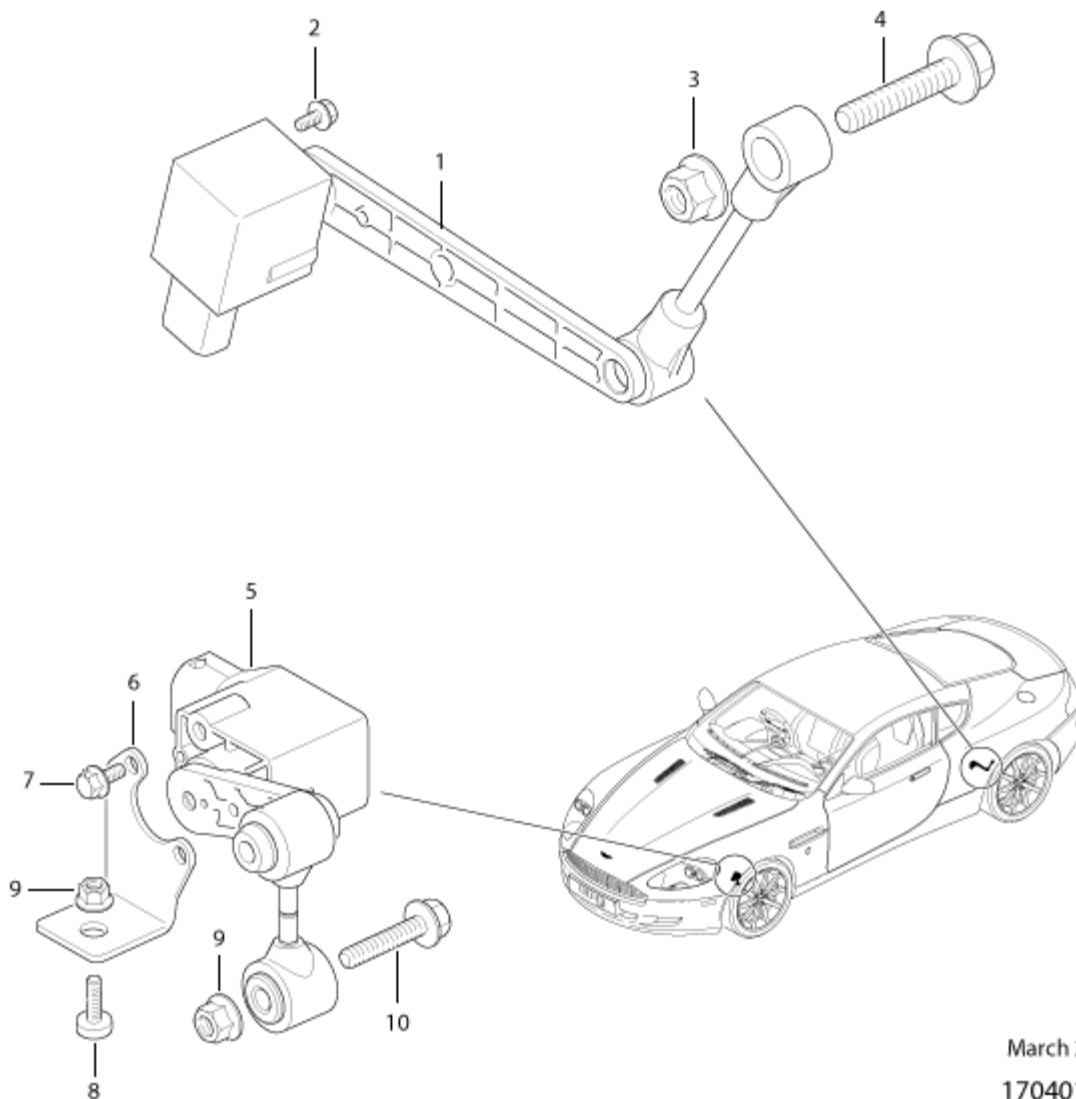
Item	Part Number	Description	Qty	Remarks
1	4G43-N43400-AB	Lamp/finisher, licence plate	1	ROW
2	4G43-37-10248	Lamp assy	2	Federal
3	702295	Nut, flg, M5	4	-
4	4G43-14A227-	Harness assy, Federal number plate lamp link	1	-

	FA			
-	4G43-14A227-GA	Harness assy, Federal number plate lamp stub	1	-
5	1R12-37-10452	Switch, deck lid rel, exter	1	Federal
6	701354	Screw and washer	2	-
		When fitting item 1 4G43-N43400-AB to a car with a VIN prior		
		to (V) A04019 the following bracket is required to be fitted.		
		4G43-C13A202-AB closing plate-Coupe		
		4G43-L13A203-AC closing plate-Volante		

DB9 - LIGHTING

DB9

17 LIGHTING



March 2006

170401-B1

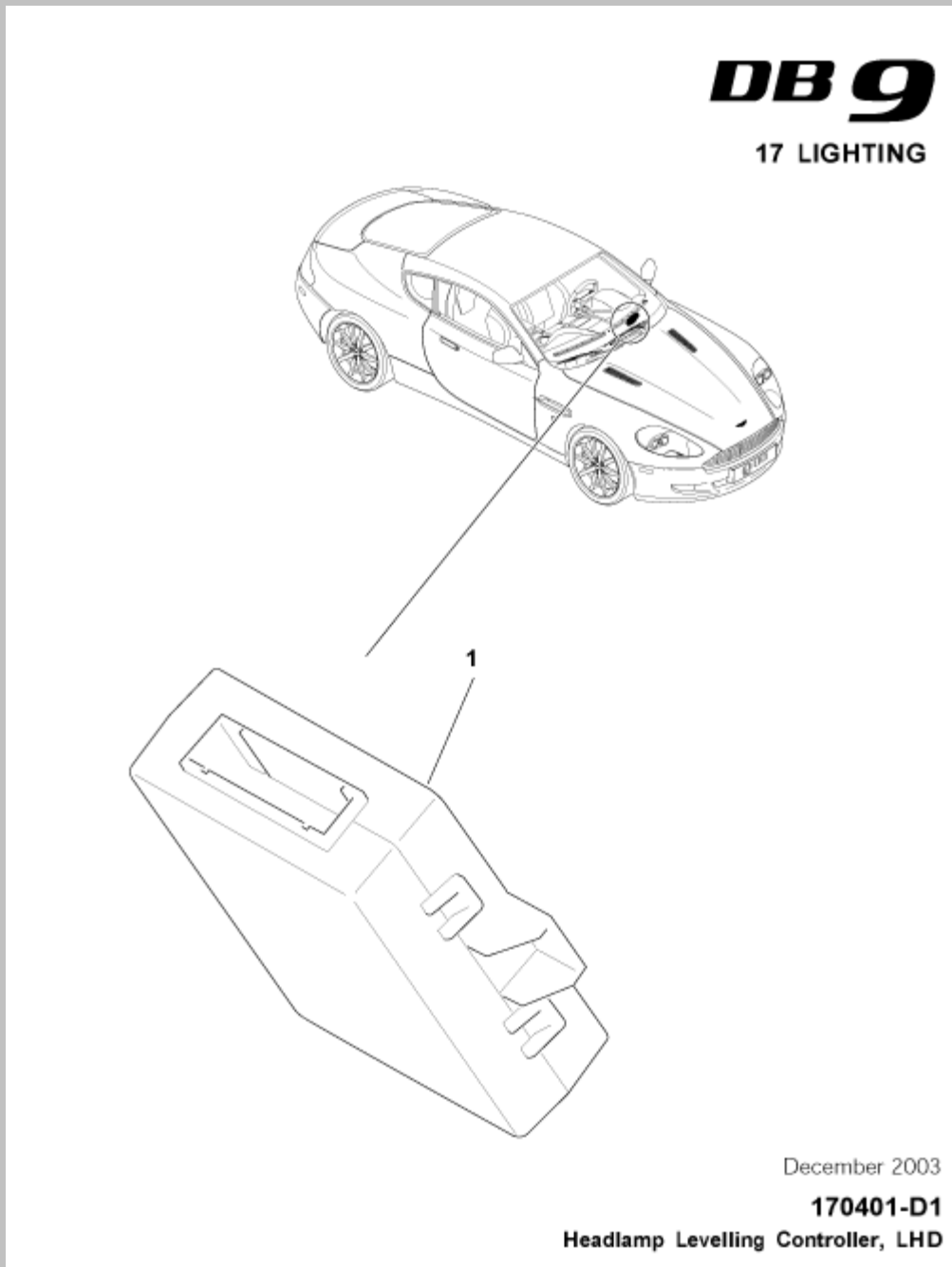
Headlamp Levelling

Headlamp Levelling

Item	Part Number	Description	Qty	Remarks
1	4G43-37-10030	Sensor assy, suspension, rear	1	-
2	703205	Bolt, flg, M5 x 10	2	-
3	703216	Nut, M8	1	-
4	703195	Screw, flg, M8 x 40	1	-

5	4G43-13K070-AB	Sensor assy, suspension, front	1	-
6	4G43-28A11-AA	Bracket, height sensor	1	-
7	703205	Bolt, flg, M5 x 10	2	-
8	703172	Screw, M8 x 21, pan head	2	-
9	703216	Nut, M8	1	-
10	703195	Screw, flg, M8 x 40	1	-

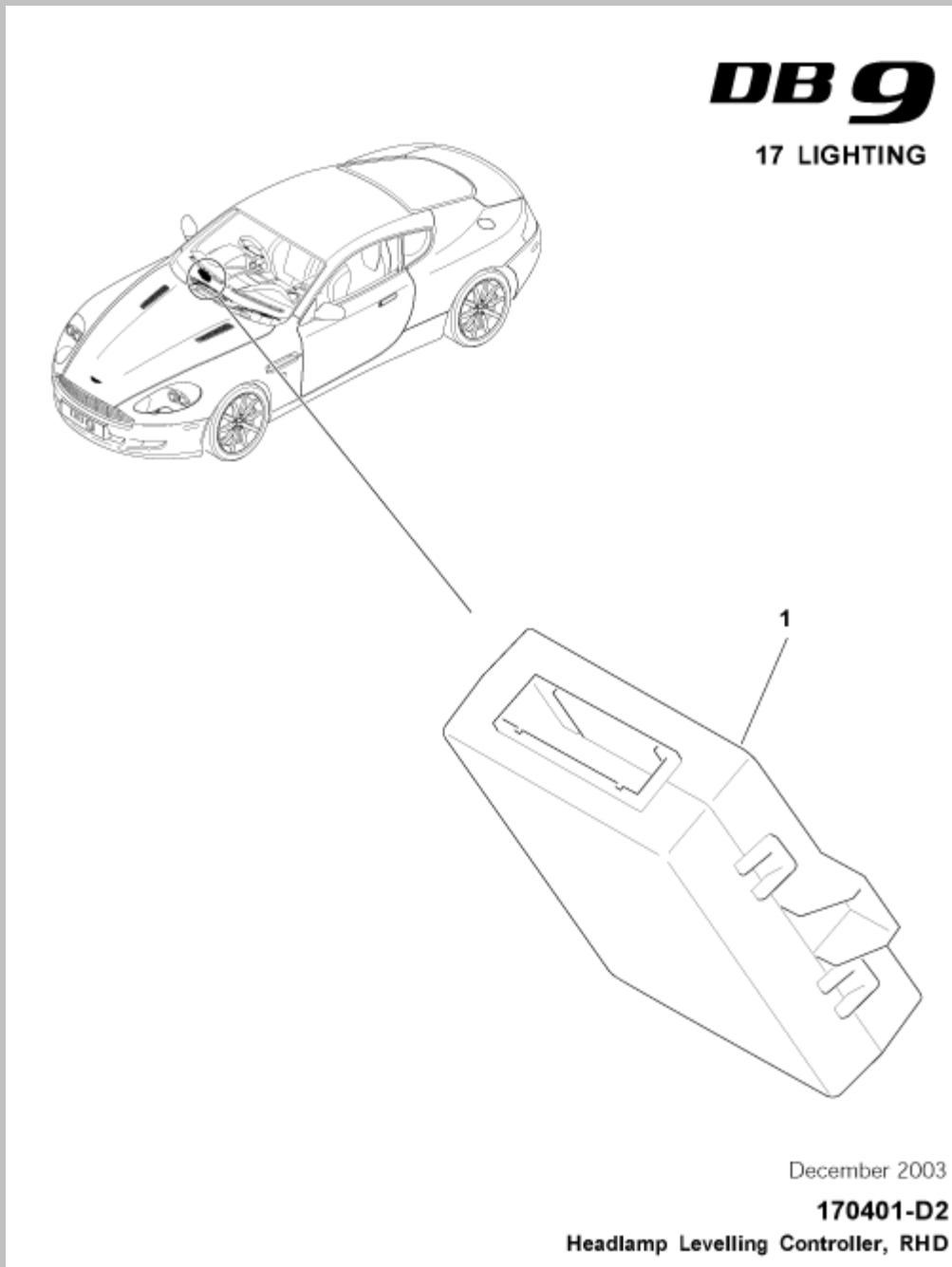
DB9 Lighting



Headlamp Levelling Controller, LHD

Item	Part Number	Description	Qty	Remarks
1	4G43-13K031-AC	Module, headlamp levelling	1	-
-	701157	Screw, washer head, tap	2	-

DB9 Lighting

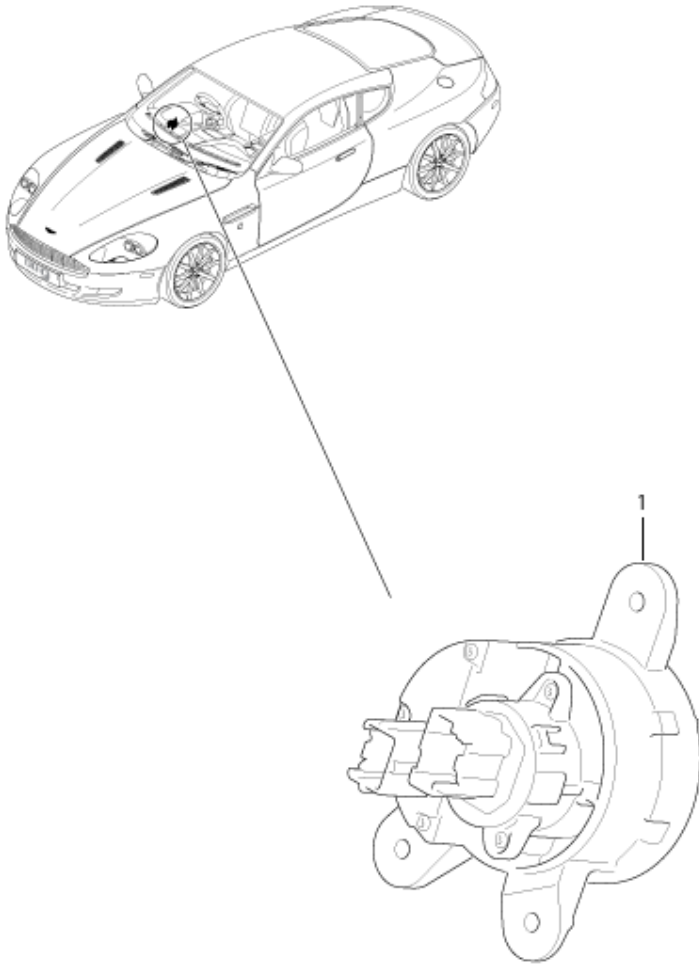


Headlamp Levelling Controller, RHD

Item	Part Number	Description	Qty	Remarks
1	4G43-13K031-AC	Module, headlamp levelling	1	-
-	701157	Screw, washer head, tap	2	-

DB9

17 LIGHTING



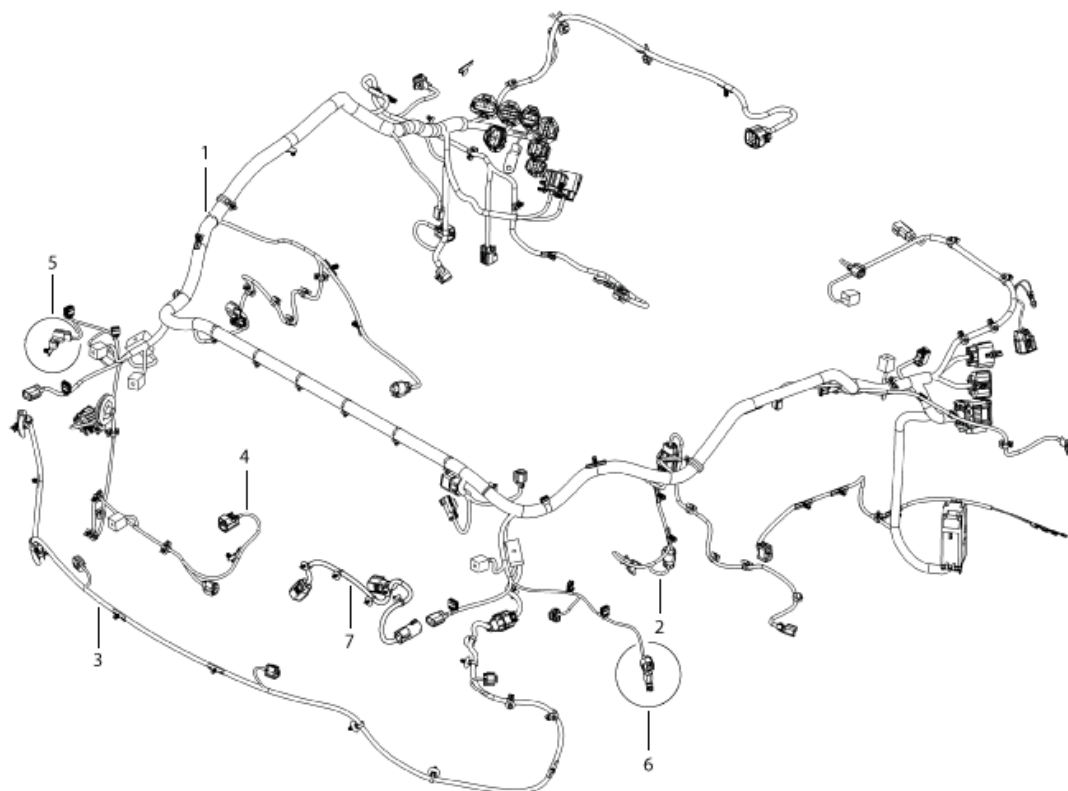
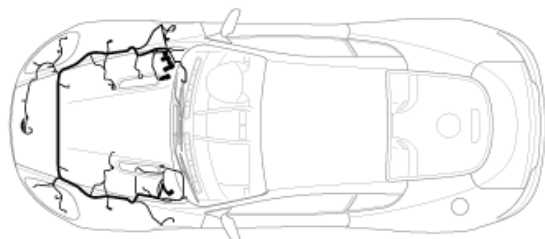
April 2008
 170501-D2
 Lighting Switches Subsystem-LHD,RHD

Lighting Switches Subsystem - LHD,RHD

Item	Part Number	Description	Qty	Remarks
1	4G43-11654-AD	Switch assy, master lighting	1	-
-	8D33-11654-AB	Switch assy, master lighting	1	09MY
-	701157	Screw, 4.2 x 16, tap	3	-

DB9

18 ELECTRICAL DISTRIBUTION



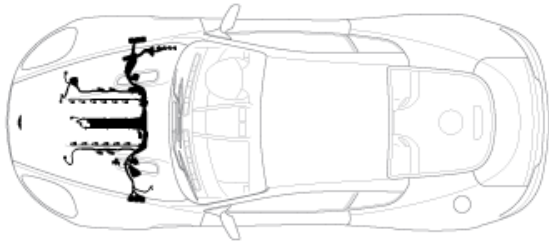
April 2008
180101-D1
Harness Assy Engine Bay- LHD, RHD

Harness Assy Engine Bay - LHD, RHD

Item	Part Number	Description	Qty	Remarks
1	4G43-14290-BE	Harness assy, engine bay, LHD	1	-
-	6G43-14290-BA	Harness assy, engine bay, LHD	1	6.5MY
-	6G43-14290-BB	Harness assy, engine bay, LHD	1	07MY From 07/06/07
-	8G43-14290-DB	Harness assy, engine bay, LHD	1	08MY From (V) A09110
-	9G43-14290-BE	Harness assy, engine bay, LHD	1	09MY
-	4G43-14290-AE	Harness assy, engine bay, RHD	1	-
-	6G43-14290-AA	Harness assy, engine bay, RHD	1	6.5MY
-	6G43-14290-AB	Harness assy, engine bay, RHD	1	07MY From 07/06/07
-	8G43-14290-CB	Harness assy, engine bay, RHD	1	08MY From (V) A09110
-	9G43-14290-AE	Harness assy, engine bay, RHD	1	09MY

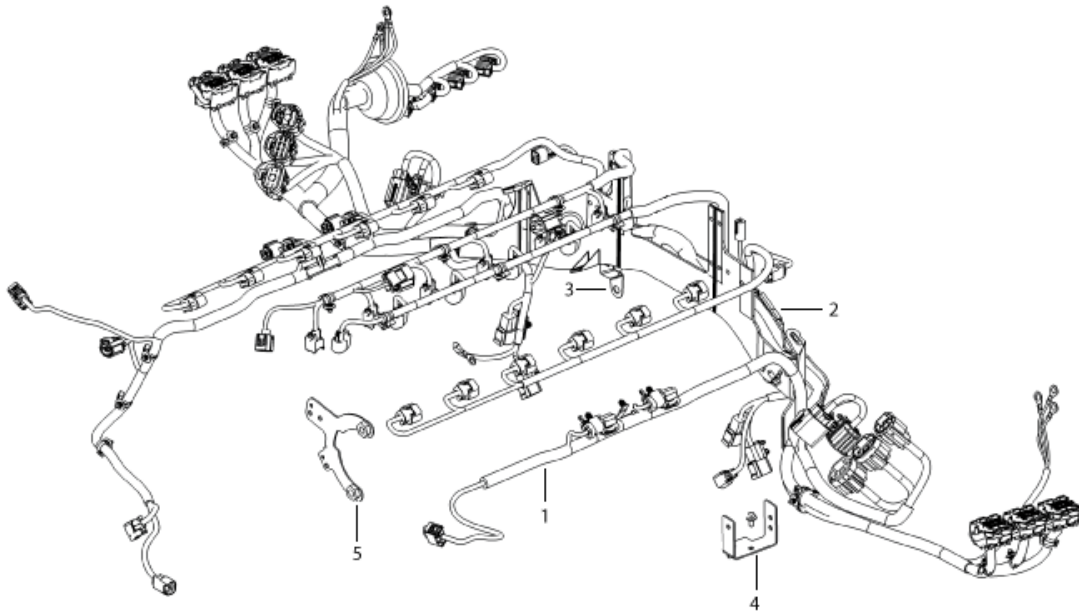
2	4G43-14290-DA	Harness assy, PAS link, LHD	1	-
-	4G43-14290-CA	Harness assy, PAS link, RHD	1	-
3	6G43-15K877-AA	Harness assy, front bumper	1	-
-	6G43-15K877-AB	Harness assy, front bumper	1	07MY on From 07/06/07
4	4G43-14290-EA	Harness assy, horn control, hood latch	1	-
5	4G43-90-10900	Harness, wheel speed sensor, front, RH	1	-
6	4G43-90-10901	Harness, wheel speed sensor, front, LH	1	-
7	8G43-9137-AC	Harness assy, cooling fan link	1	09MY

DB9 - ELECTRICAL DISTRIBUTION SYSTEM



DB9

18 ELECTRICAL DISTRIBUTION



April 2008

180101-D3

Harness Assy Engine RHD, LHD

Harness Assy Engine RHD, LHD

Item	Part Number	Description	Qty	Remarks
1	4G43-12B637-AE	Harness engine wiring	1	2 pin ignition coils
-	4G43-12B637-BA	Harness engine wiring	1	3 pin ignition coils
-	8G43-12B637-CB	Harness engine wiring	1	09MY
-	7G43-12B637-AC	Harness assy, engine V12	1	07MY
-	8G43-12B637-AB	Harness assy, engine V12	1	09MY
-	8G43-12B637-BA	Harness assy, engine V12	1	09MY
2	4G43-14W163-EA	Bracket, wire harness mounting, LH	1	-
3	4G43-14W163-DA	Bracket, wire harness mounting, RH	1	-
4	4G43-6147X-AD	Bracket assy	1	-
5	4G43-14A004-GE	Bracket, CMS sensor A bank, RH	1	-
-	4G43-14A280-DD	Earth strap, bonnet	1	-
-	6G43-14A280-AA	Earth strap, engine	1	-
-	701170	Nut, flg, M6	4	-

-	697596	Nut/washer assy	1	-
-	700124	Nut, M8	1	-
-	700132	Screw, M6 x 12	1	-
-	702848	Nut, flg, M5		09MY

DB9 - ELECTRICAL DISTRIBUTION SYSTEM

DB9

18 ELECTRICAL DISTRIBUTION

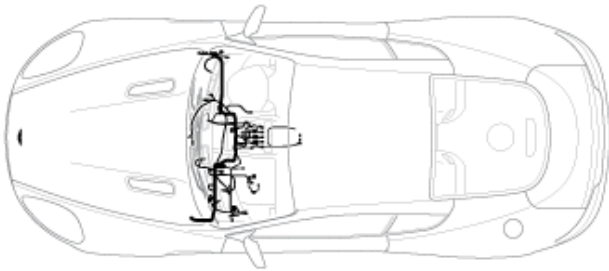


March 2004
180101-D4
Earth Stud Nuts

Earth Stud Nuts

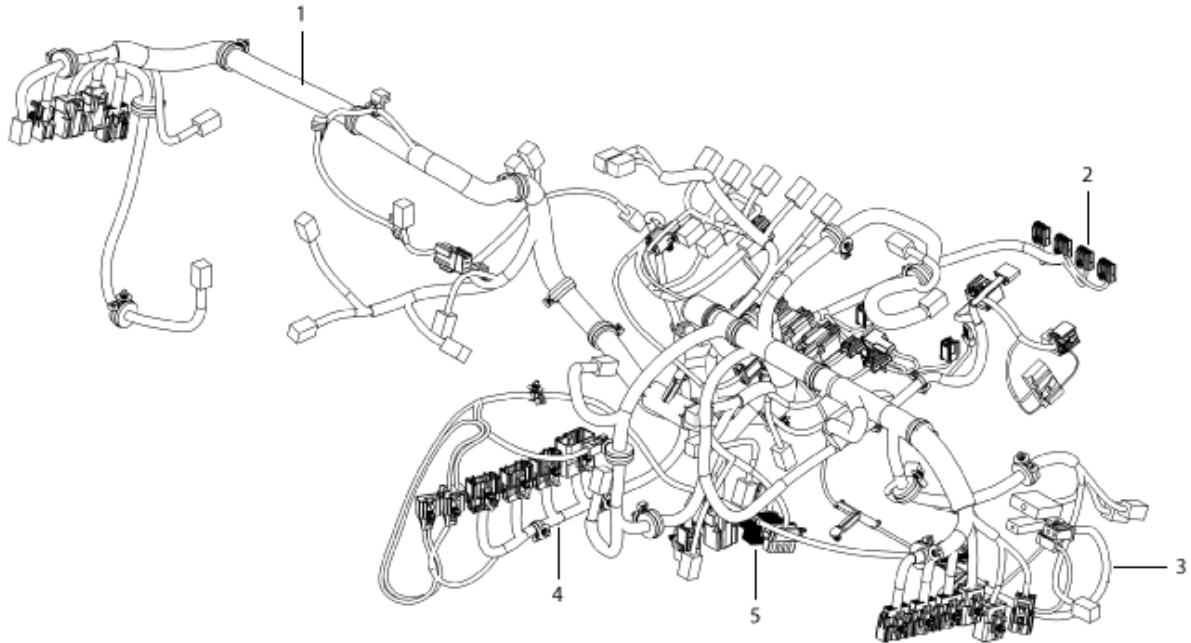
Item	Part Number	Description	Qty	Remarks
1	697596	Nut, washer assy, M6	9	Front end wiring
1	697596	Nut, washer assy, M6	22	Body and rear end
1	697596	Nut, washer assy, M6	11	Convertible
1	697596	Nut, washer assy, M6	11	Coupe

DB9 - ELECTRICAL DISTRIBUTION SYSTEM



DB9

18 ELECTRICAL DISTRIBUTION



March 2006

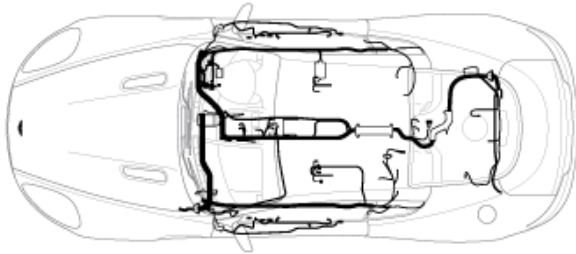
180102-D1

IP & Cowl Harness- LHD, RHD

IP & Cowl Harness - LHD, RHD

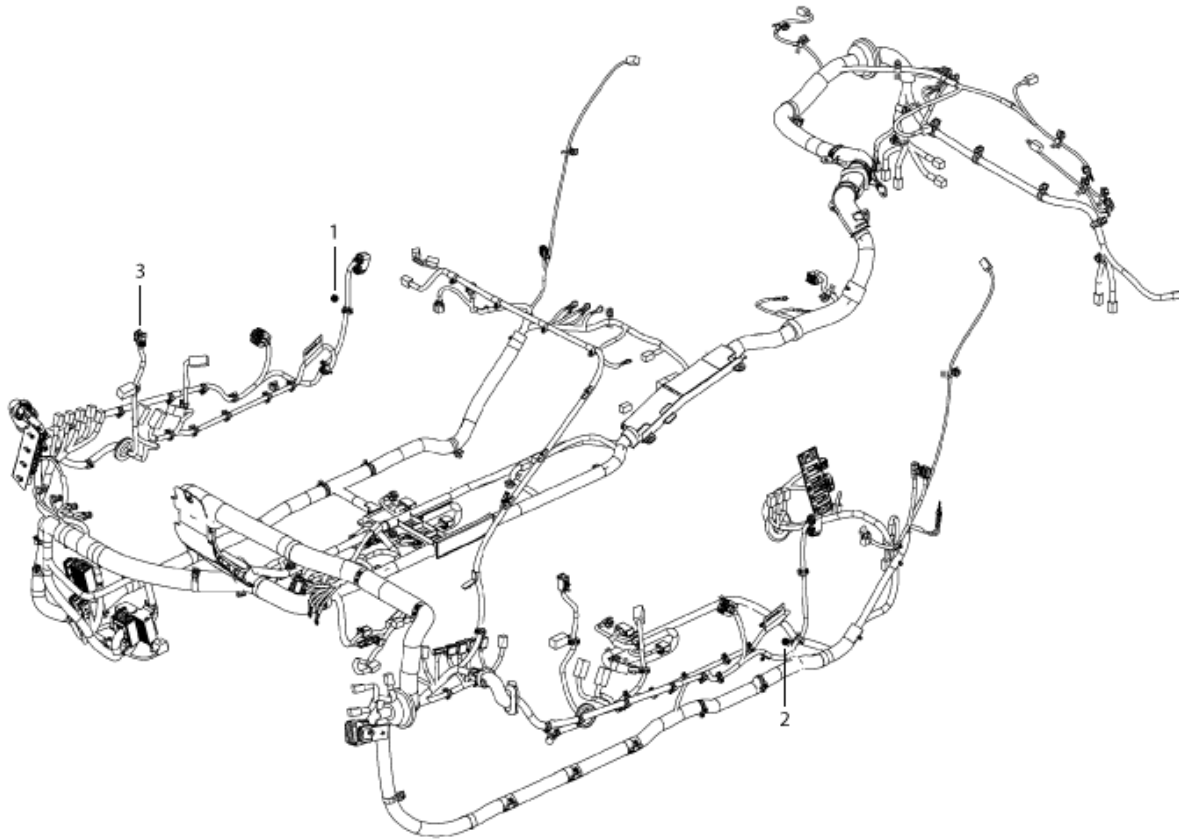
Item	Part Number	Description	Qty	Remarks
1	4G43-14401-EA	Harness assy, facia auto, phone, RHD	1	-
-	7G43-14401-EC	Harness assy, facia auto, phone, RHD	1	07MY
-	8G43-14401-EB	Harness assy, facia auto, phone, RHD	1	08MY From (V) A09110
-	8D33-14401-GB	Harness assy, facia auto, RHD	1	09MY
-	4G43-14401-FA	Harness assy, facia auto, phone, LHD	1	-
-	7G43-14401-FC	Harness assy, facia auto, phone, LHD	1	07MY
-	8G43-14401-FB	Harness assy, facia auto, phone, LHD	1	08MY From (V) A09110
-	8D33-14401-HD	Harness assy, facia auto, LHD	1	09MY
-	4G43-14401-GA	Harness assy, facia manual, phone RHD	1	-

-	7G43-14401-GC	Harness assy, facia manual, phone RHD	1	07MY
-	8G43-14401-GB	Harness assy, facia manual, phone RHD	1	08MY From (V) A09110
-	4G43-14401-HA	Harness assy, facia manual, phone, LHD	1	-
-	7G43-14401-HC	Harness assy, facia manual, phone, LHD	1	07MY
-	8G43-14401-HB	Harness assy, facia manual, phone, LHD	1	08MY From (V) A09110
2	4G43-14B079-CA	Harness assy, CNSL panel, RHD	1	-
-	7G43-14B079-CB	Harness assy, CNSL panel, RHD	1	07MY
-	8G43-14B079-CB	Harness assy, CNSL panel, RHD	1	08MY From (V) A09110
-	4G43-14B079-DA	Harness assy, CNSL panel, LHD	1	-
-	7G43-14B079-DB	Harness assy, CNSL panel, LHD	1	07MY
-	8G43-14B079-DB	Harness assy, CNSL panel, LHD	1	08MY From (V) A09110
-	7G43-14B079-EB	Harness assy, CNSL panel, LHD Federal	1	07MY
-	8G43-14B079-EB	Harness assy, CNSL panel, LHD Federal	1	08MY From (V) A09110
3	4G43-14C007-AD	Harness assy, phone mod, RHD	1	-
-	8G43-14C007-AA	Harness assy, phone mod, RHD	1	08MY From (V) A09110
-	4G43-14C007-BD	Harness assy, phone mod, LHD	1	-
-	8G43-14C007-BA	Harness assy, phone mod, LHD	1	08MY From (V) A09110
4	4G43-18C951-HB	Harness assy, MOST CNSL panel, LHD	1	-
5	6G33-14A457-AA	Cover, diagnostic connector	1	-
-	8D33-9137-BA	Harness assy , key reader	1	09MY



DB9

18 ELECTRICAL DISTRIBUTION

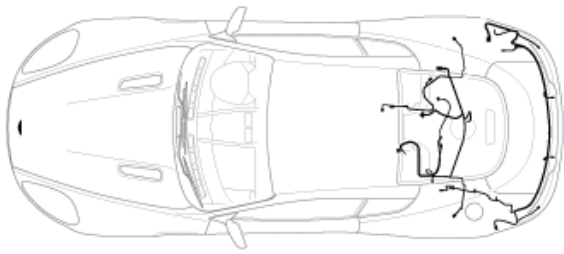


April 2008
180103-D1
Body Harness

Body Harness

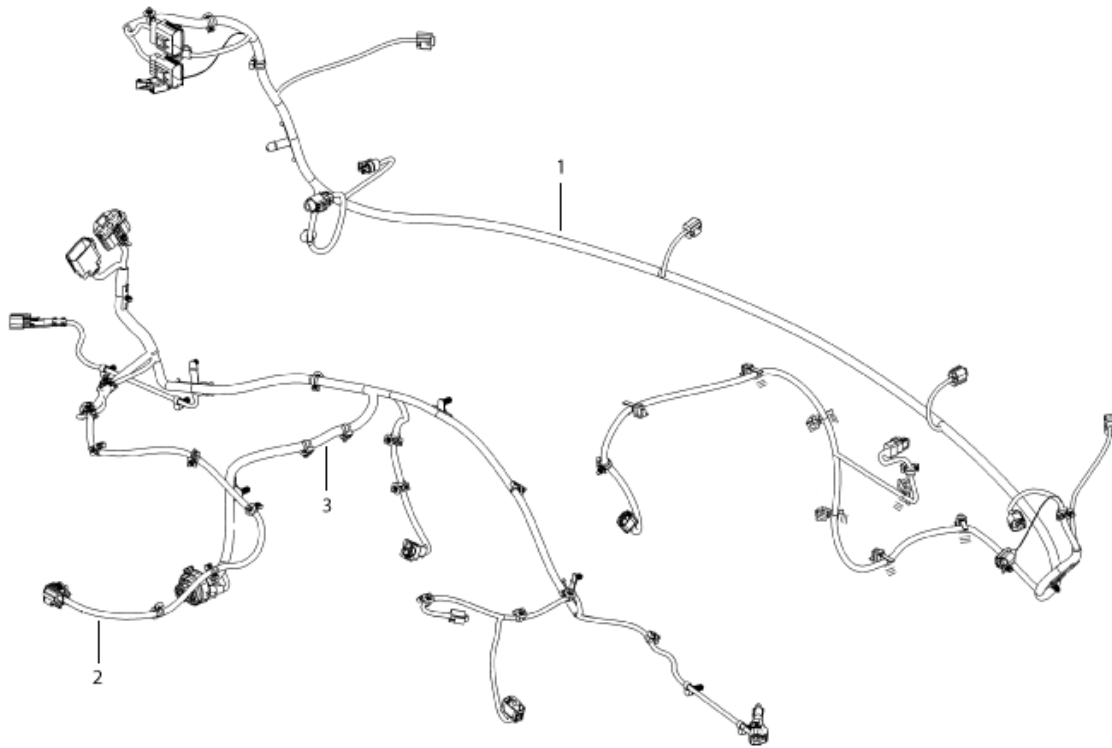
Item	Part Number	Description	Qty	Remarks
1	4G43-14631-AF	Harness assy, drivers door	1	RHD
-	7G43-14631-AD	Harness assy, drivers door	1	RHD 07MY
-	8D33-14631-AC	Harness assy, drivers door	1	RHD 08MY
-	4G43-14630-BF	Harness assy, passenger door	1	LHD
-	7G43-14630-BD	Harness assy, passenger door	1	LHD 07MY
-	8D33-14630-BC	Harness assy, passenger door	1	LHD 08MY

2	4G43-14630-AF	Harness assy, passenger door	1	RHD
-	7G43-14630-AD	Harness assy, passenger door	1	RHD 07MY
-	8D33-14630-AC	Harness assy, passenger door	1	RHD 08MY
-	4G43-14631-BF	Harness assy, drivers door	1	LHD
-	7G43-14631-BD	Harness assy, drivers door	1	LHD 07MY
-	8D33-14631-BC	Harness assy, drivers door	1	LHD 08MY
3	4G43-14A005-EA	Harness assy, cabin, Coupe	1	RHD
-	7G43-14A005-AE	Harness assy, cabin, Coupe	1	RHD 07MY
-	8G43-14A005-AC	Harness assy, cabin, Coupe	1	RHD 08MY
-	9G43-14A005-AE	Harness assy, cabin, Coupe	1	RHD 09MY
-	9G43-14A005-EB	Harness assy, cabin, Coupe	1	RHD 9.5MY
-	4G43-14A005-FA	Harness assy, cabin, Coupe	1	LHD
-	7G43-14A005-BE	Harness assy, cabin, Coupe	1	LHD 07MY
-	8G43-14A005-BC	Harness assy, cabin, Coupe	1	LHD 08MY
-	9G43-14A005-BE	Harness assy, cabin, Coupe	1	LHD 09MY
-	9G43-14A005-FB	Harness assy, cabin, Coupe	1	LHD 9.5MY
-	6G43-14A005-HA	Harness assy, cabin, Volante	1	RHD
-	7G43-14A005-CE	Harness assy, cabin, Volante	1	RHD 07MY
-	8G43-14A005-CC	Harness assy, cabin, Volante	1	RHD 08MY
-	9G43-14A005-CB	Harness assy, cabin, Volante	1	RHD 09MY
-	9G43-14A005-GA	Harness assy, cabin, Volante	1	RHD 9.5MY
-	6G43-14A005-FA	Harness assy, cabin, Volante	1	LHD
-	7G43-14A005-DE	Harness assy, cabin, Volante	1	LHD 07MY
-	8G43-14A005-DC	Harness assy, cabin, Volante	1	LHD 08MY
-	9G43-14A005-DB	Harness assy, cabin, Volante	1	LHD 09MY
-	9G43-14A005-HA	Harness assy, cabin, Volante	1	LHD 9.5MY



DB9

18 ELECTRICAL DISTRIBUTION



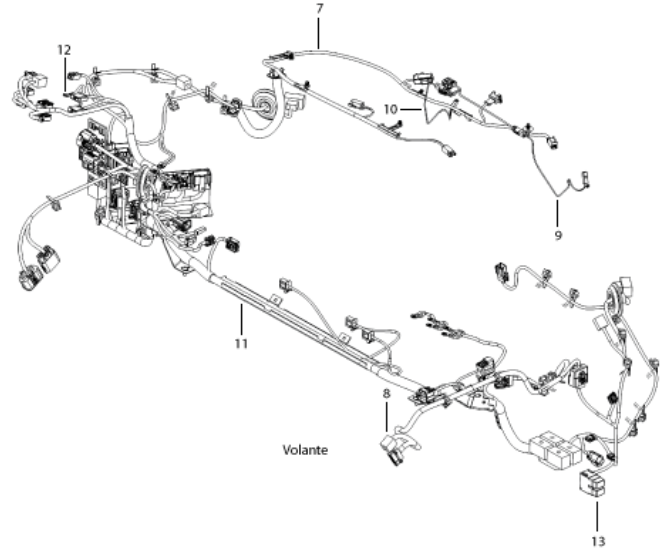
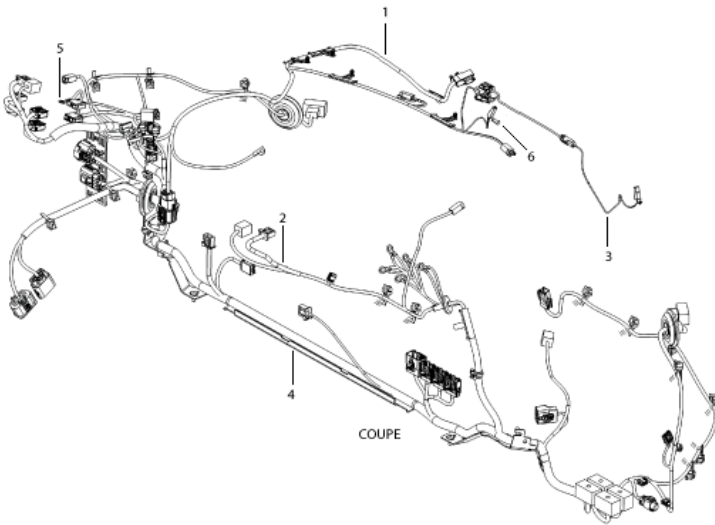
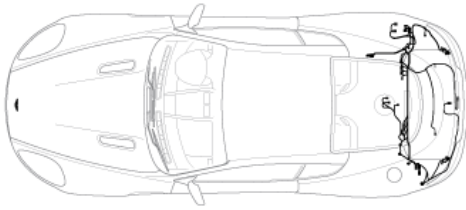
July 2008
180103-D2
Rear End Harness

Rear End Harness

Item	Part Number	Description	Qty	Remarks
1	4G43-15B484-CC	Harness assy, rear bumper, Non PDC	1	-
-	4G43-15B484-BE	Harness assy, rear bumper, PDC	1	-
-	7G43-15B484-AD	Harness assy, rear bumper, PDC	1	07MY
2	4G43-7E443-AE	Harness assy, axle trans, MANUAL	1	-
3	4G43-7C078-AE	Harness assy, axle trans, AUTOMATIC	1	-

DB9

18 ELECTRICAL DISTRIBUTION



July 2008
180103-D3
Boot Harness

Boot Harness

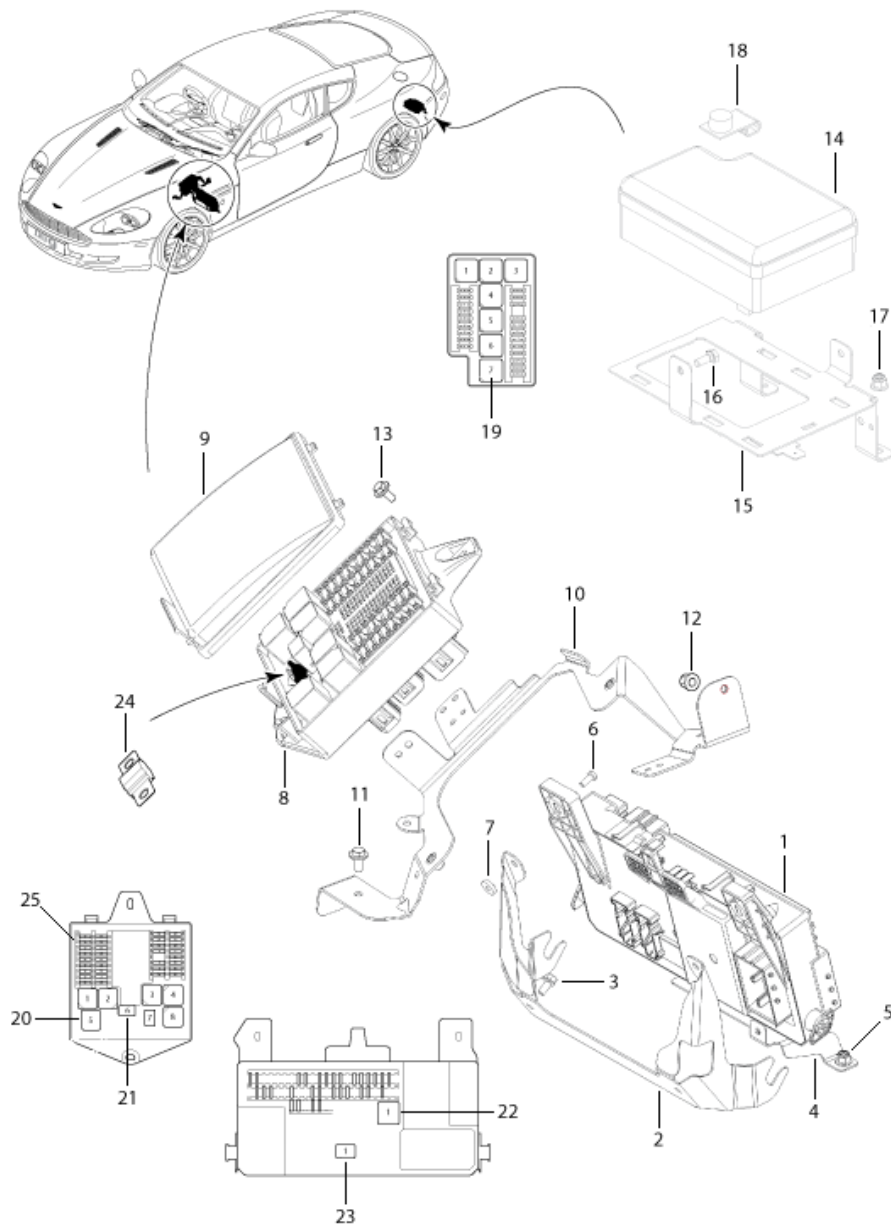
Item	Part Number	Description	Qty	Remarks
1	4G43-14A227-CC	Harness assy, trunk lid, Coupe, AM/FM & TMC	1	-
-	7G43-14A227-CB	Harness assy, trunk lid, Coupe, AM,FM & TMC	1	07MY
-	4G43-14A227-AE	Harness assy, trunk lid, Coupe, AM/FM	1	-
-	7G43-14A227-AB	Harness assy, trunk lid, Coupe, AM/FM	1	07MY
-	8G43-14A227-AB	Harness assy, trunk lid, Coupe	1	08MY From (V) A09110
2	4G43-18C951-HB	Harness assy, MOST trunk, Coupe	1	-
3	4G43-14A227-GA	Harness assy, Federal, number plate stub, Coupe	1	-
4	4G43-14405-AE	Harness assy, trunk, Coupe	1	-
5	4G43-14A280-FC	Harness assy, earth braid ant mod, Coupe	1	-
6	4G43-14A227-FA	Harness assy, Federal number plate lamp, Coupe	1	-
7	4G43-14A227-DC	Harness assy, trunk lid, Volante, AM/FM & TMC	1	-
-	6G43-14A227-DB	Harness assy, trunk lid, Volante, AM,FM & TMC	1	07MY
-	6G43-14A227-BB	Harness assy, trunk lid, Volante, AM/FM	1	07MY
-	8G43-14A227-BB	Harness assy, trunk lid, Volante	1	08MY From (V) A09110
8	4G43-14405-CC	Harness assy, roof, Volante	1	07MY
9	4G43-14A227-GA	Harness assy, number plate, Federal, Volante	1	-
10	4G43-14A227-FA	Harness assy, number plate, Federal, Volante	1	-

11	4G43-14405-BE	Harness assy, trunk, Volante	1	Up to (V)
-	6G43-14405-BA	Harness assy, trunk, Volante	1	From (V)(6.5MY)
-	7G43-14405-BC	Harness assy, trunk, Volante	1	07MY upto (V) B08125
12	4G43-14A280-FC	Harness assy, earth braid ant md, Volante	1	-
13	4G43-37-10659	Relay, multiplug, tonneau lid lock, Volante	2	-
-	6G33-9137-LA	Harness, TMC link	1	08MY From (V) A09110

5	8D33-14N072-AC	Bracket, fusebox mounting	1	-
6	701449	Screw, M5 x 12 pan head	1	Bracket, Fusebox mounting
7	NSS	Nut, M5 rnd	1	Bracket, Fusebox mounting
-	700963	Screw M4 x 8, pan head	1	Bracket, Fusebox mounting
-	4G43-L41041-AA	Edging strip	1	Bracket, Fusebox mounting
8	4G43-14A173-AE	Fusebox, engine bay	1	-
-	8D33-14A173-AB	Fusebox assy, engine bay	1	09MY
9	4G43-37-10589	Lid, engine bay fusebox	1	-
10	4G43-14A173-CJ	Bracket, engine fusebox	1	-
11	701196	Screw & washer assy, M6 x 16	5	-
12	700142	Nut, flg, M6	1	Bracket, Engine Fusebox
13	701196	Screw & washer assy, M6 x 16	2	Engine Fusebox
14	NSS	Nutsert, M6	2	Engine Fusebox
15	4G43-14A073-AJ	Fusebox, rear	1	-
16	4G43-14A301-AH	Bracket, boot fusebox	1	-
17	703151	Screw, M6 x 16	1	Boot fusebox bracket to body
18	701170	Nut, flg, M6	1	Boot fusebox bracket to body
19	37-85236	Cover, terminal- boot fusebox	1	-
20	1R12-37-10526	Relay, changeover	7	Boot Fusebox
21	1R12-37-10526	Relay, changeover	6	Engine Bay Fusebox
22	4G43-37-10659	Relay, Half	1	Engine Bay Fusebox
23	4G43-37-10591	Relay, Full	1	CEM
24	4G43-37-10659	Relay, Half	1	CEM
25	4G43-37-10264	Fuse, 60A, Fan Pack		-
26	37-23422	Fuse midi 5A		-
-	37-23423	Fuse midi 7.5A		-
-	37-23424	Fuse midi 10A		-
-	37-23425	Fuse midi 15A		-
-	37-23426	Fuse midi 20A		-
-	37-23427	Fuse midi 25A		-
-	37-23428	Fuse midi 30A		-
-	4G43-37-10578-PK	Fuse mini 5A		-
-	4G43-37-10579-PK	Fuse mini 7.5A		-
-	4G43-37-10580-PK	Fuse mini 10A		-
-	4G43-37-10581-PK	Fuse mini 15A		-
-	4G43-37-10582-PK	Fuse mini 20A		-
-	4G43-37-10583-PK	Fuse mini 25A		-

DB9

18 ELECTRICAL DISTRIBUTION



April 2008

180106-D2

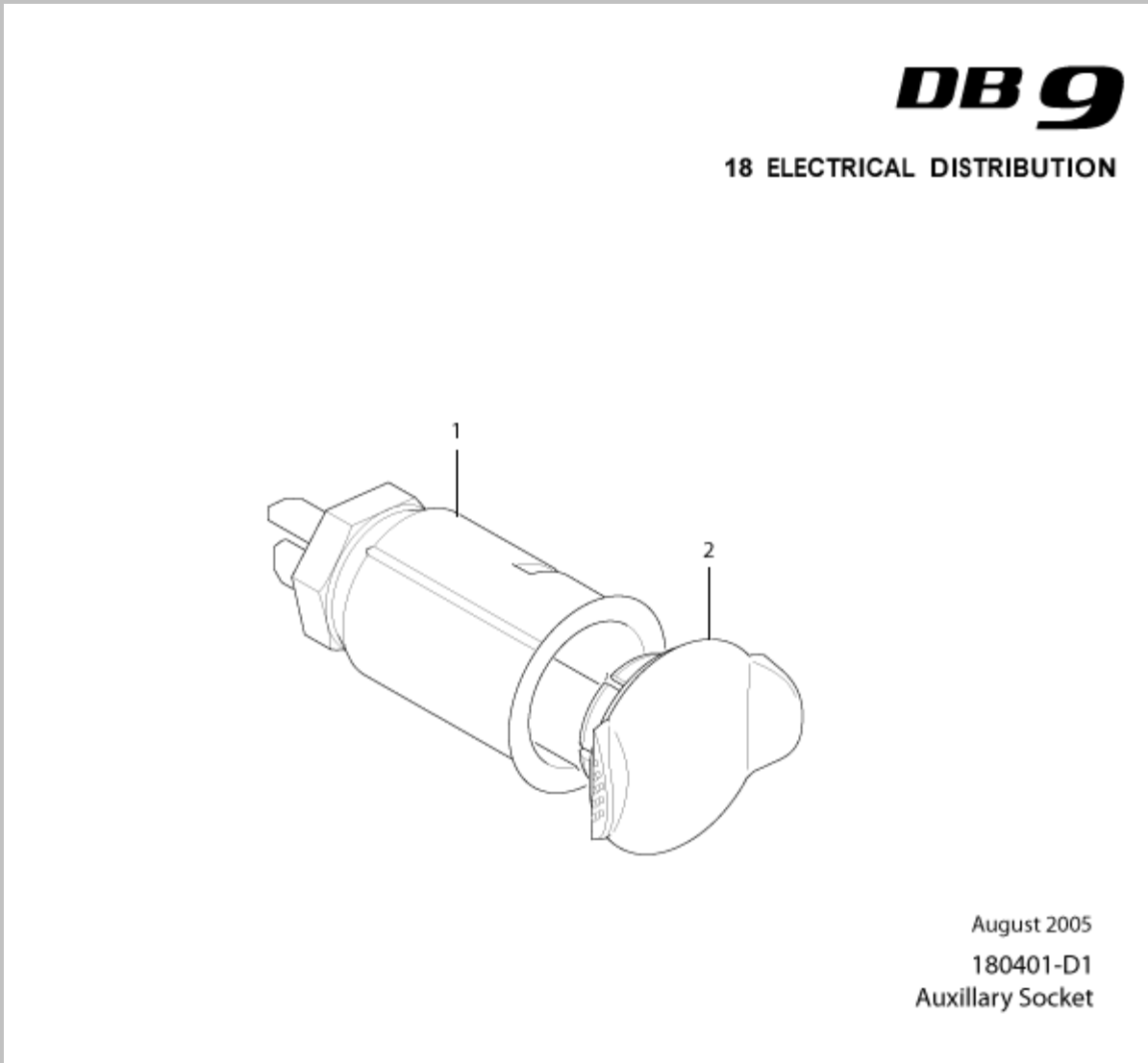
Fuse Panel, Fuses, Circuit Breakers-RHD

Fuse Panel, Fuses, Circuit Breakers - RHD

Item	Part Number	Description	Qty	Remarks
1	4G43-14C272-AH	Central electronic module assy	1	-
-	7G43-14C272-AB	Central electronic module assy	1	07MY
-	4G43-37-10658	Central electronic module	1	-
-	4G43-37-10815	Central electronic module	1	07MY
-	8G43-14C245-AA	Central electronic module	1	08MY From (V) A09110
2	4G43-13B525-BE	Bracket, cabin fusebox CEM	1	-
3	700606	Screw, flg, M6 x 12	2	CEM Bracket to body

4	4G43-14N072-AE	Bracket, fusebox BDS bypass circuits, LH	1	RHD
5	702429	Nut, flg, M6	3	CEM Bracket to body
6	701449	Screw, M5 x 12 pan head	2	CEM to Bracket
7	NSS	Nut, M5 rnd	2	CEM to Bracket
-	700963	Screw M4 x 8, pan head	1	Bracket, Fusebox mounting
8	4G43-14A173-AF	Fusebox assy, engine bay	1	-
-	8D33-14A173-AB	Fusebox assy, engine bay	1	09MY
9	4G43-37-10589	Lid, engine bay fusebox	1	-
10	4G43-14A173-BK	Bracket, engine bay fusebox, RHD	1	-
11	701196	Screw & washer assy, M6 x 16	5	Engine Fusebox Bracket to Body
12	700142	Nut, flg, M6	1	Engine Fusebox Bracket to Body
13	701196	Screw & washer assy, M6 x 16	1	Engine Fusebox to Bracket
14	4G43-14A073-AJ	Fusebox, rear	1	-
15	4G43-14A301-AH	Bracket, boot fusebox	1	-
16	703151	Screw, M6 x 16	1	Boot fusebox bracket to body
17	701170	Nut, flg, M6	1	Boot fusebox bracket to body
18	37-85236	Cover, terminal, boot fusebox	1	-
-	8D33-14N072-BB	Bracket, fuse box	1	-
-	4G43-L41041-AA	Edging strip	1	Bracket, Fusebox mounting
19	1R12-37-10526	Relay, full	7	Boot Fusebox
20	1R12-37-10526	Relay, full	6	Engine Bay Fusebox
21	4G43-37-10592	Relay, Half	1	Engine Bay Fusebox
22	4G43-37-10591	Relay, Full	1	CEM
23	4G43-37-10592	Relay, Half	1	CEM
24	4G43-37-10264	Fuse, 60A, fan pack		-
25	37-23422	Fuse midi 5A		-
-	37-23423	Fuse midi 7.5A		-
-	37-23424	Fuse midi 10A		-
-	37-23425	Fuse midi 15A		-
-	37-23426	Fuse midi 20A		-
-	37-23427	Fuse midi 25A		-
-	37-23428	Fuse midi 30A		-
-	4G43-37-10578-PK	Fuse mini 5A		-
-	4G43-37-10579-PK	Fuse mini 7.5A		-
-	4G43-37-10580-PK	Fuse mini 10A		-
-	4G43-37-10581-PK	Fuse mini 15A		-
-	4G43-37-10582-PK	Fuse mini 20A		-
-	4G43-37-10583-PK	Fuse mini 25A		-

DB9 - ELECTRICAL DISTRIBUTION SYSTEM

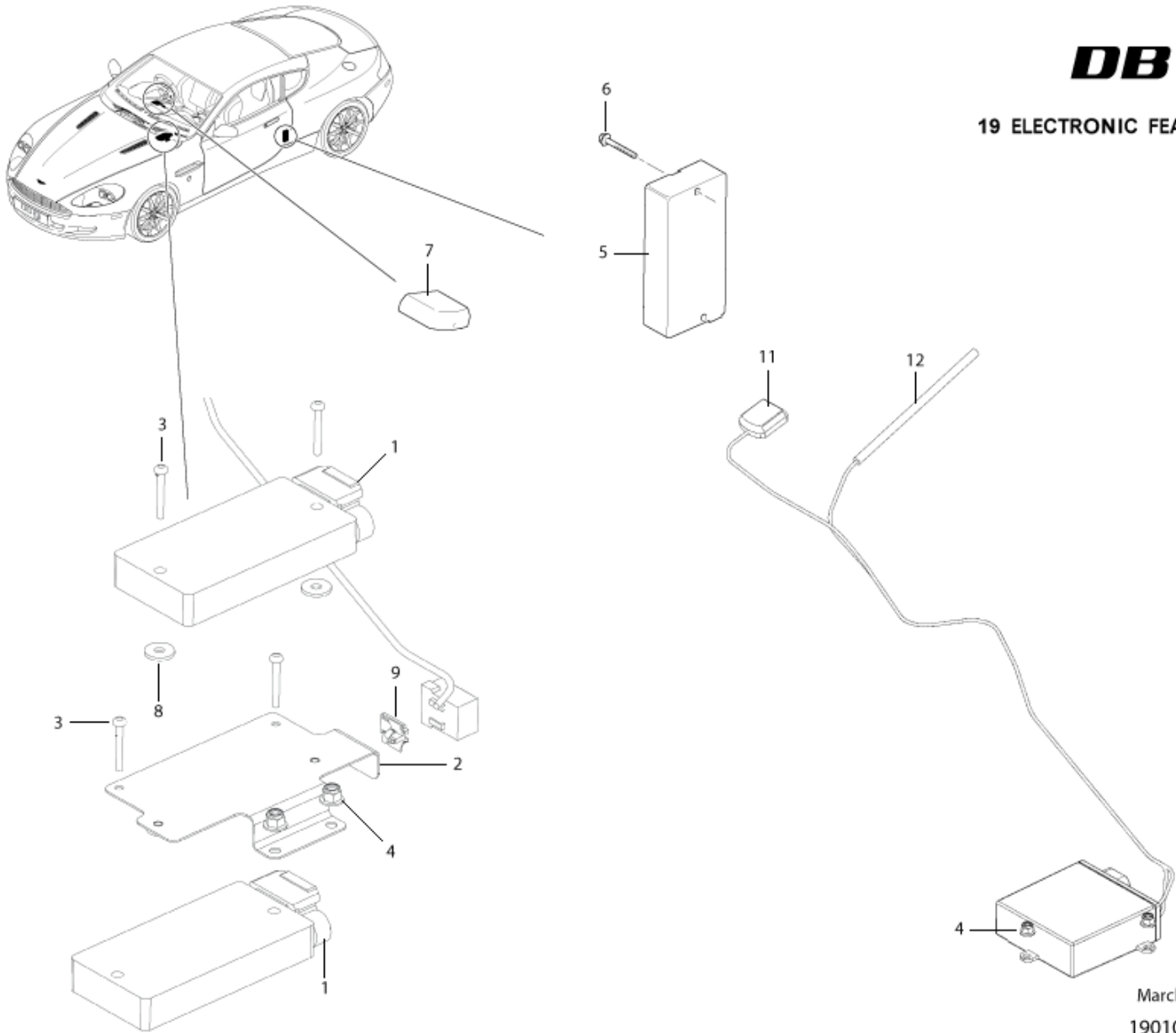


Auxiliary Socket

Item	Part Number	Description	Qty	Remarks
1	4G43-37-10890	Auxiliary socket	1	-
2	4G43-37-10074	Blanking plug, auxiliary socket	1	-
-	4G43-37-10284	Glowring and lamp assy	1	-
-	1R12-37-10409	Element, cigar lighter	1	-

DB9

19 ELECTRONIC FEATURES



March 2006

190101-D2

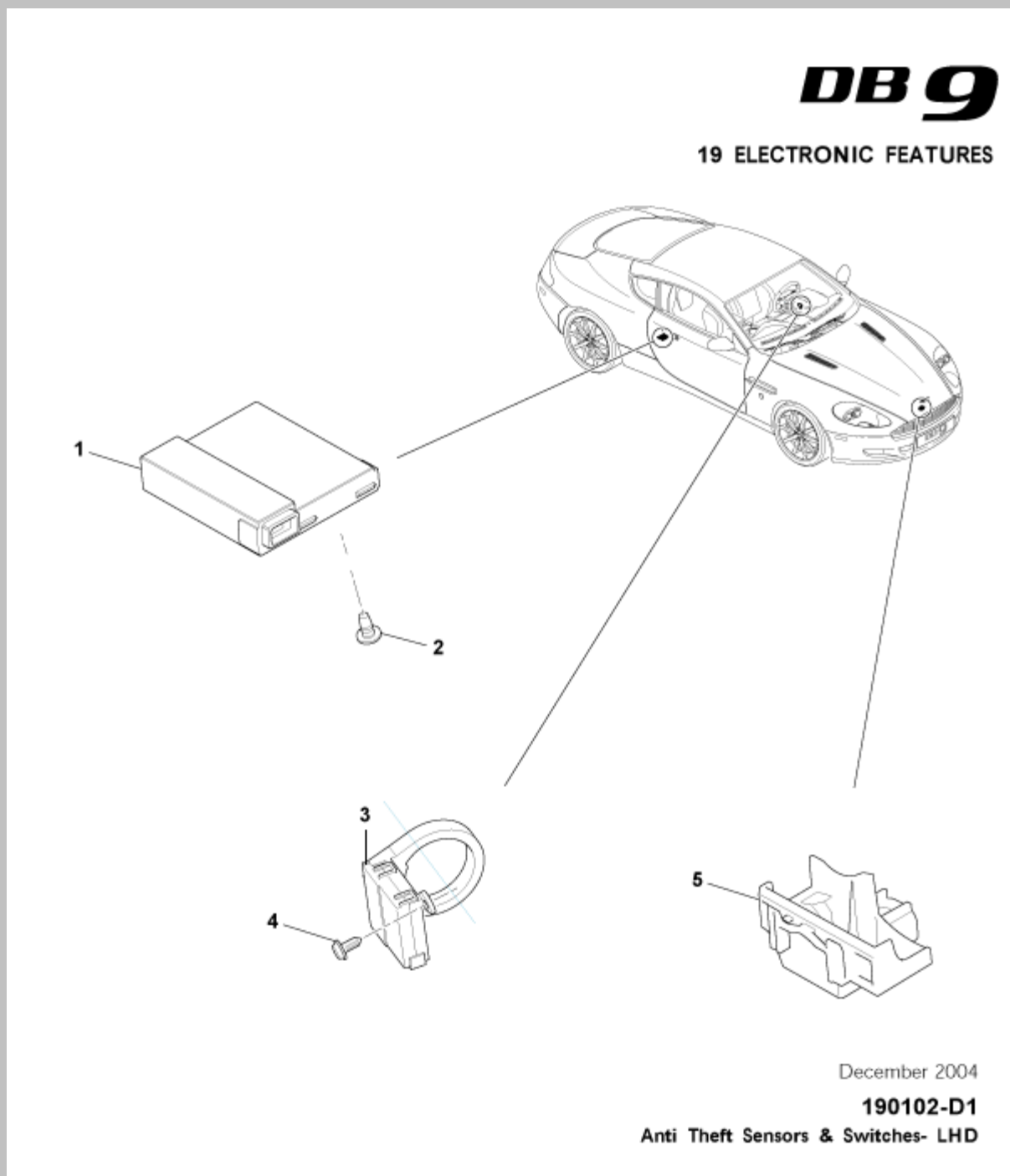
Tracker

Tracker

Item	Part Number	Description	Qty	Remarks
1	4G43-19G311-AE	Tracker Horizon	1	Pair
2	4G43-19H245-AB	Bracket, tracker module	1	-
3	702301	Screw, M4 x 32, pan head	4	-
4	701340	Nut, M6, bracket to body	2	07MY
-	703164	Nut, M6, bracket to body	2	08MY From (V) A09110
5	3R12-375528-AA	Cover, battery back up unit	1	-
6	W700280-S437	Screw, M6 x 35, pan head	2	-

7	4G43-18C847-LA	Antenna, tracker GPS	1	-
8	4G43-16C694-AB	Washer, nylon	2	-
9	6G33-14A163-CA	Clip	1	-
10	7G43-19G311-AE	Tracker system, CAT 5	1	From (V) A06678/ 07MY
11	7G43-10E921-AC	Antenna, GPS, CAT 5	1	From (V) A06678
12	7G43-19A390-AB	Antenna, GSM, CAT 5	1	From (V) A06678
-	9G33-19H387-AA	Drivers identification device, CAT 5	1	From (V) A06678

DB9 - ELECTRONIC FEATURES

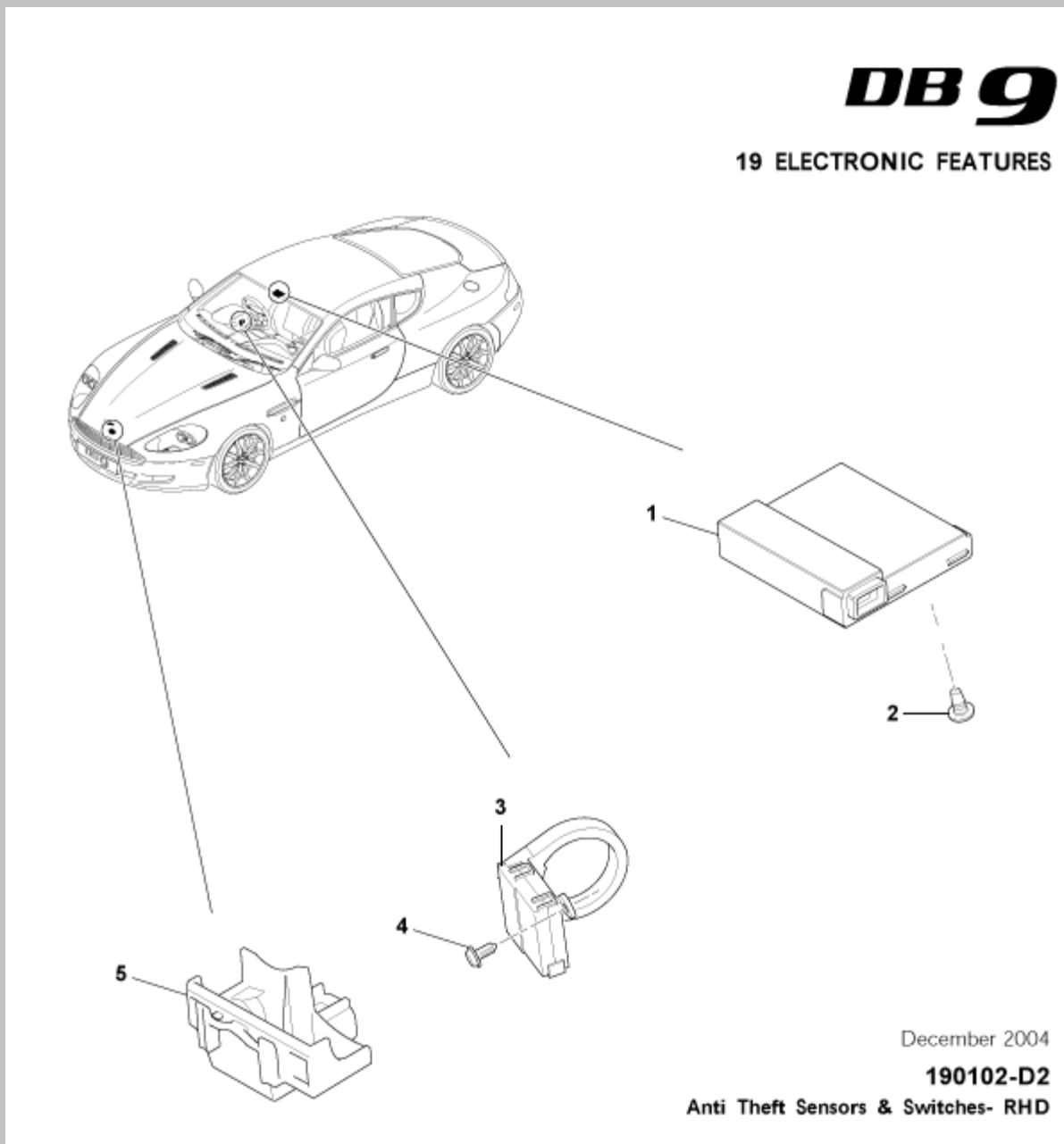


Anti Theft Sensors & Switches - LHD

Item	Part Number	Description	Qty	Remarks
1	4G43-37-10095	Sensor, mass movement	1	-
-	4G43-37-10621	Sensor, mass movement	1	07MY
-	4G43-37-10928	Sensor, mass movement	1	08MY
2	701668	Screw, M4 x 8, torx hd	2	-

3	4G43-37-10060	Transceiver, PATS, ECU	1	-
4	701440	Screw, self tap	1	-
5	4G43-37-10062	Switch , hood latch	1	-
-	4G43-37-10620	Switch , hood latch	1	07MY on

DB9 - ELECTRONIC FEATURES



Anti Theft Sensors & Switches - RHD

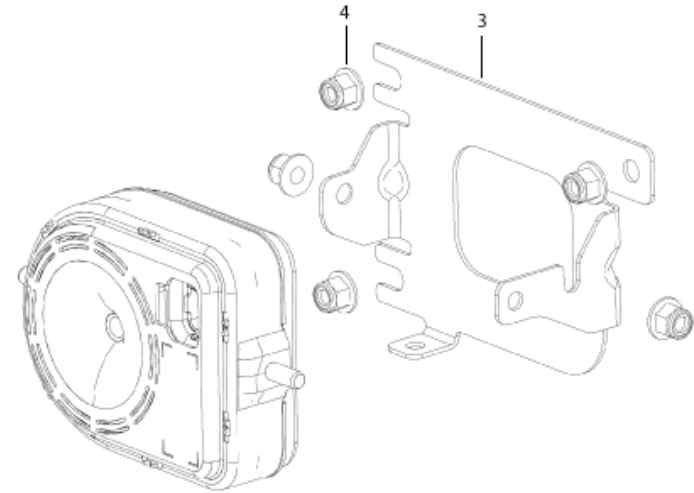
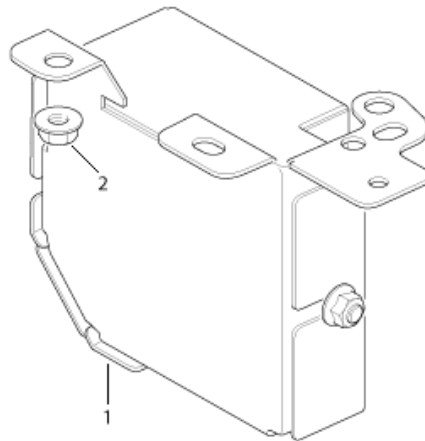
Item	Part Number	Description	Qty	Remarks
1	4G43-37-10095	Sensor, mass movement	1	-
-	4G43-37-10621	Sensor, mass movement	1	07MY
-	4G43-37-10928	Sensor, mass movement	1	08MY
2	701668	Screw, M4 x 8, torx hd	2	-
3	4G43-37-10060	Transceiver, PATS, ECU	1	-
4	701440	Screw, self tap	1	-

5	4G43-37-10062	Switch , hood latch	1	-
-	4G43-37-10620	Switch , hood latch	1	07MY on

DB9 - ELECTRONIC FEATURES

DB9

19 ELECTRONIC FEATURES



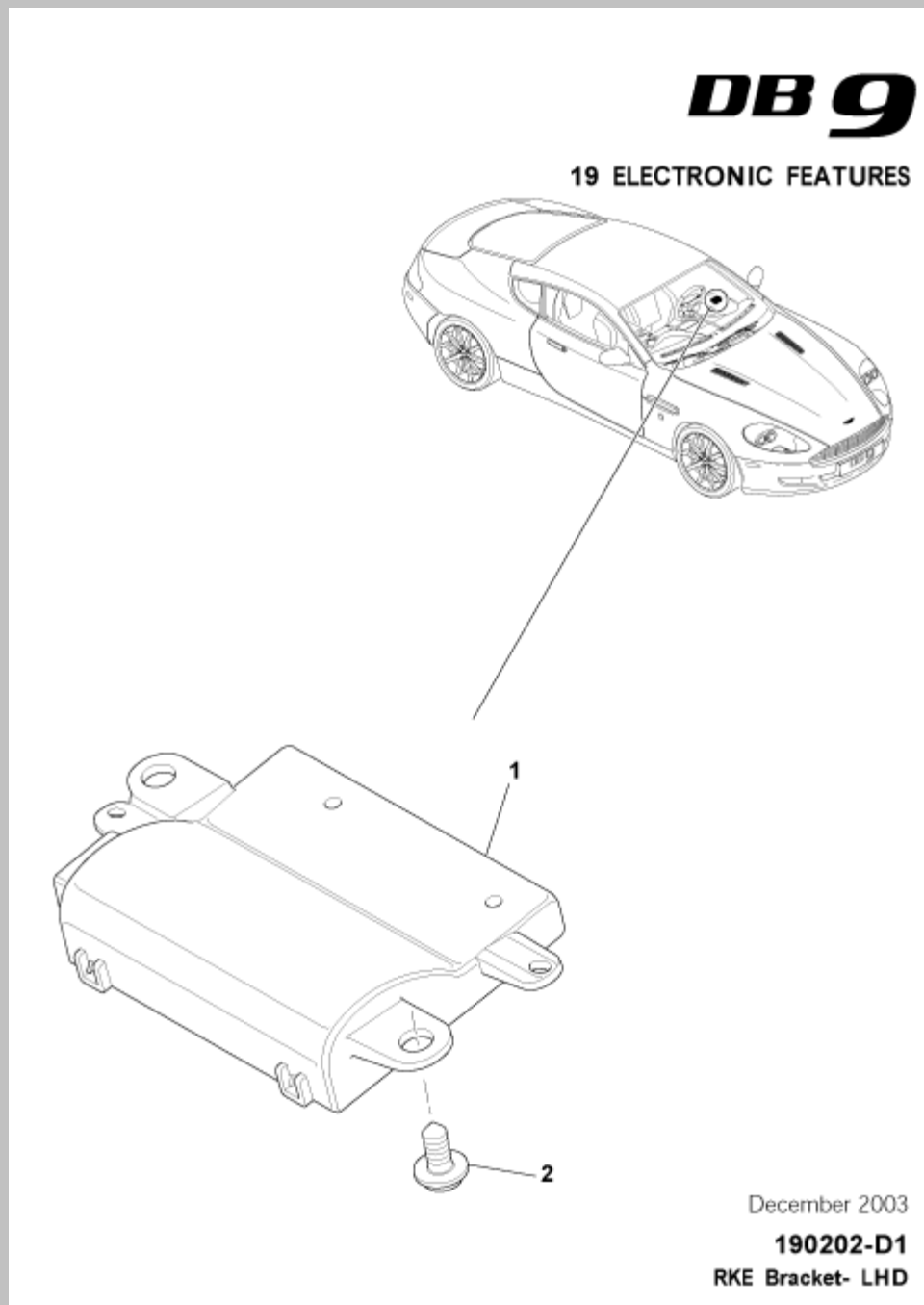
June 2008
190103-D1
Security Sounder

Security Sounder

Item	Part Number	Description	Qty	Remarks
1	4G43-37-10246	Alarm Assy, with Inclination	1	-
-	4G43-37-10655	Alarm Assy, with Inclination	1	07MY

-	4G43-37-10253	Alarm Assy, without Inclination	1	-
-	4G43-37-10654	Alarm Assy, without Inclination	1	07MY
2	703168	Nut, M6	2	-
3	6G33-13828-AC	Bracket, security sounder	1	-
4	703168	Nut, M6	3	-

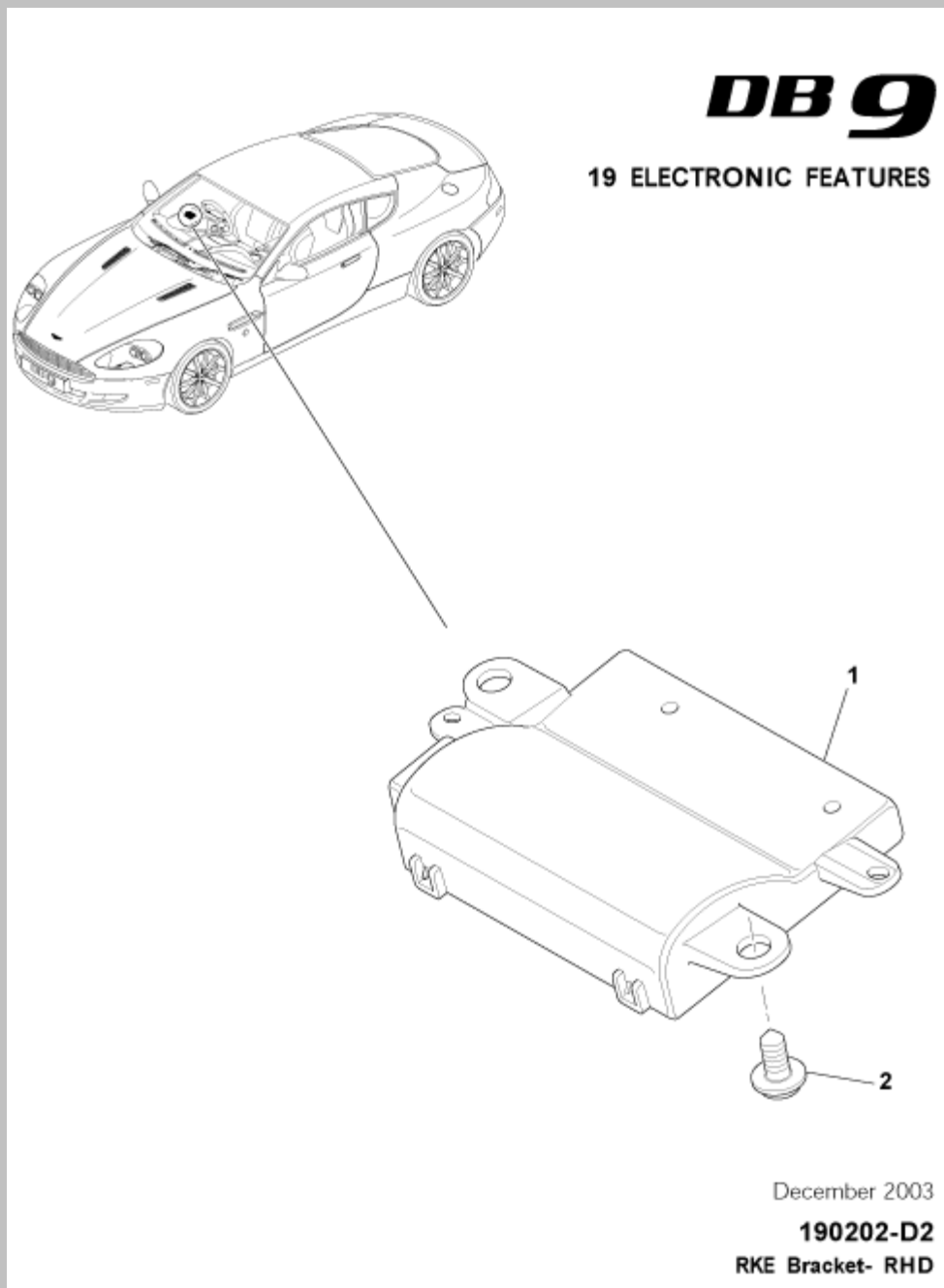
DB9 Electronic Features



RKE Bracket - LHD

Item	Part Number	Description	Qty	Remarks
1	4G43-37-10069	RKE Module - 433 MHZ	1	ROW/EURO
-	4G43-37-10070	RKE Module - 315 MHZ	-	Federal
-	4G43-37-10071	RKE Module - 315 MHZ low pwr	-	Japan
2	701157	Screw, 4.2 x 9.5 small wash hd	2	-

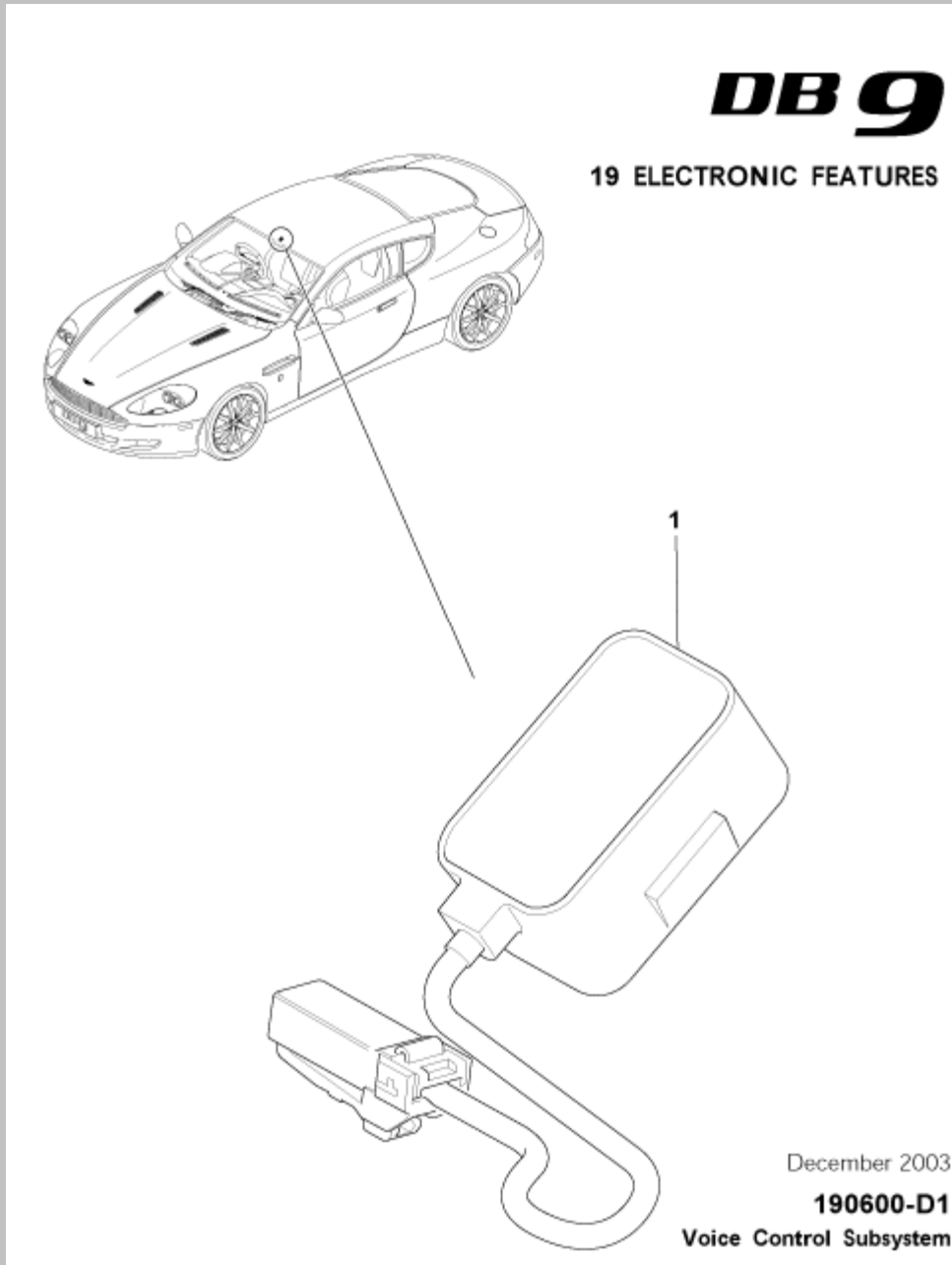
DB9 Electronic Features



RKE Bracket - RHD

Item	Part Number	Description	Qty	Remarks
1	4G43-37-10069	RKE Module - 433 MHZ	1	ROW/EURO
-	4G43-37-10070	RKE Module - 315 MHZ	-	Federal
-	4G43-37-10071	RKE Module - 315 MHZ low pwr	-	Japan
2	701157	Screw, 4.2 x 9.5 small wash hd	2	-

DB9 Electronic Features

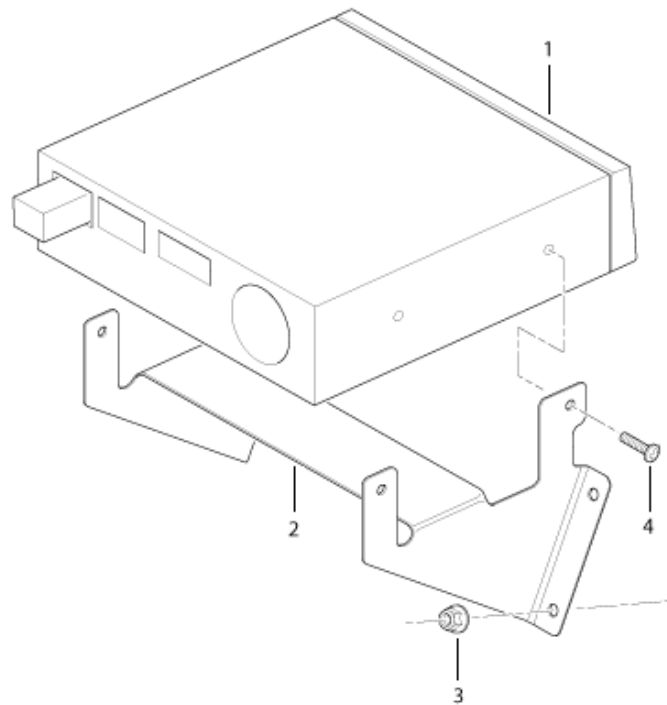


Voice Control Subsystem

Item	Part Number	Description	Qty	Remarks
1	4G43-18B804-AB	Microphone, voice control	1	-

DB9

19 ELECTRONIC FEATURES

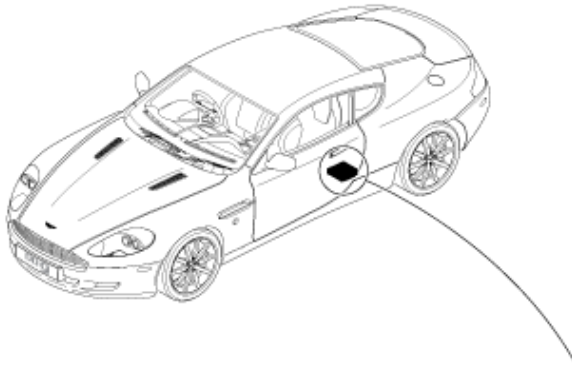


March 2008
190701-D1
Navigation Computer

Navigation Computer

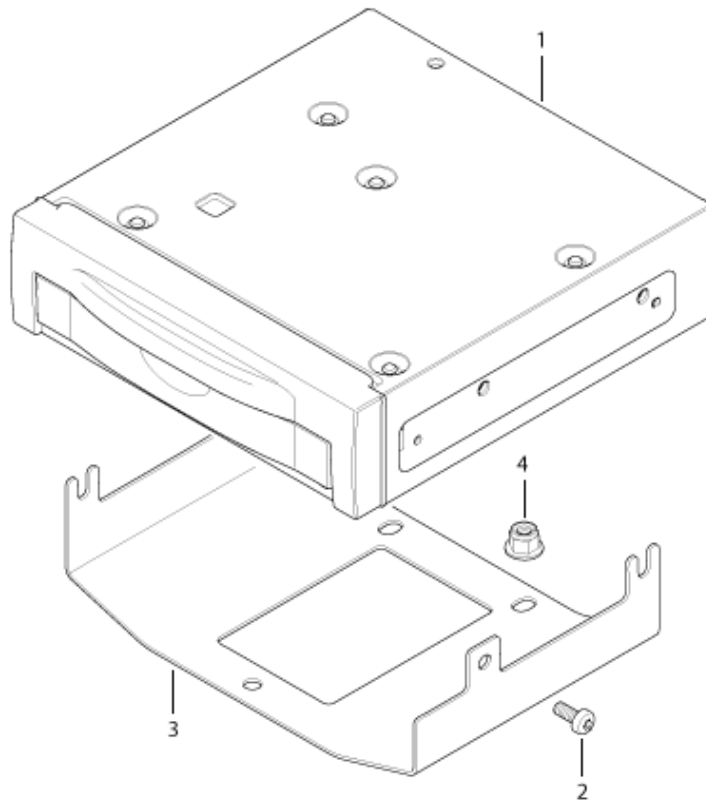
Item	Part Number	Description	Qty	Remarks
1	4G43-10E887-EH	Module, multimedia	1	Up to 17/01/08
-	4G43-10E887-EJ	Module, multimedia	1	From 17/01/08
-	4G43-10E898-AH	Disc, navigation, EU	1	-
-	4G43-10E898-BE	Disc, navigation, USA	1	-
-	4G43-10E898-CC	Disc, navigation, Australia	1	-
2	7G43-10E887-AB	Bracket, MMM	1	07MY
-	8G43-10E887-AA	Bracket, MMM	1	08MY From (V) A09110

3	701170	Nut, M6	4	-
4	701449	Screw, M5 x 12	4	-



DB9

19 ELECTRONIC FEATURES



April 2008

190701-D2

Navigation Computer 09MY

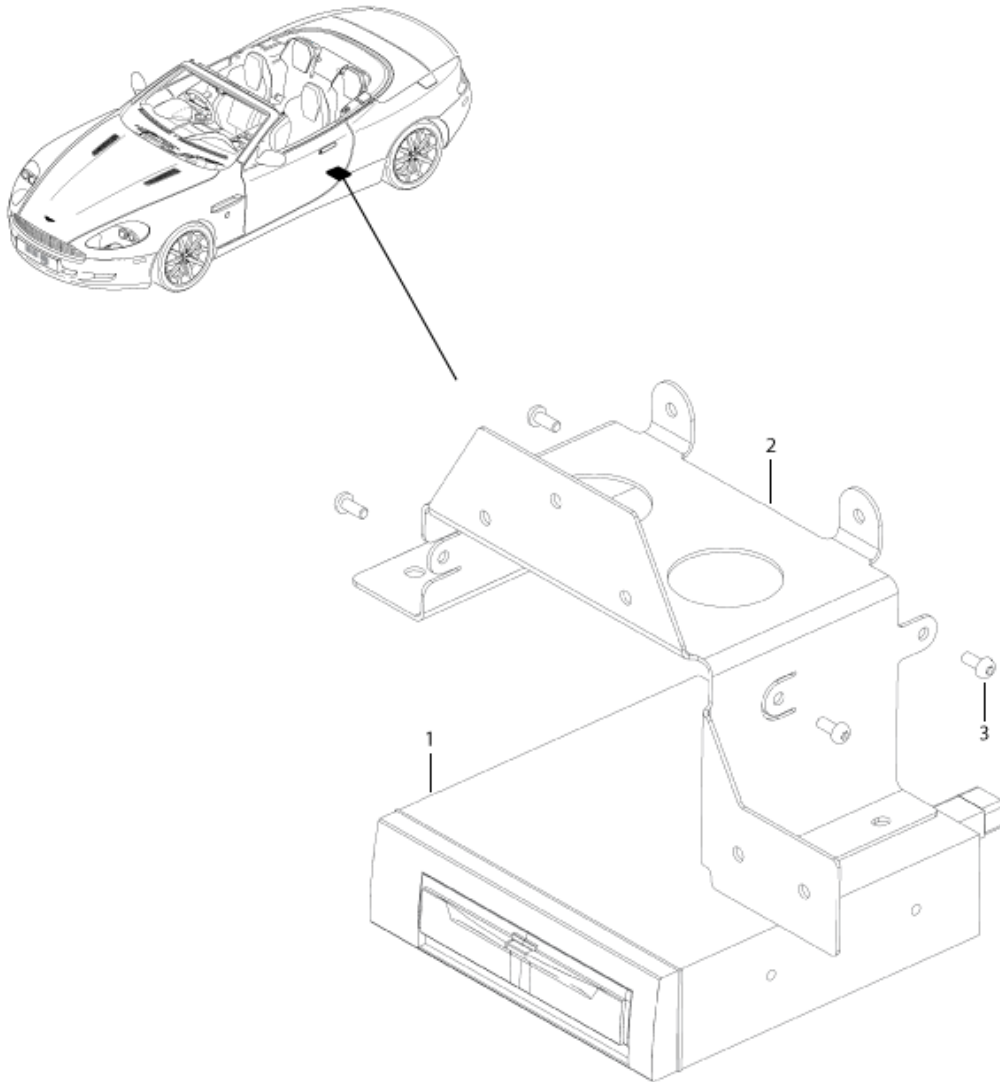
Navigation Computer 09MY Coupe and Volante

Item	Part Number	Description	Qty	Remarks
1	9G43-10E887-BD	Module, navigation MMM	1	EU
-	9G43-10E887-CC	Module, navigation MMM	1	US
-	9G43-10E887-DA	Module, navigation MMM	1	ROW
-	9G43-37-10996	Disc Navigation MMM+, Update, Europe	1	09 MY
-	9G43-37-10997	Disc Navigation MMM+, Update, USA	1	09 MY
2	6G33-46058-AA	Screw, M5 x 10	4	-

3	8G43-10E887-AA	Bracket, MMM	1	-
4	703164	Nut, lock, M6	4	-

DB9

19 ELECTRONIC FEATURES



January 2008

190701-D3

Navigation Computer, VOLANTE

Navigation Computer, VOLANTE

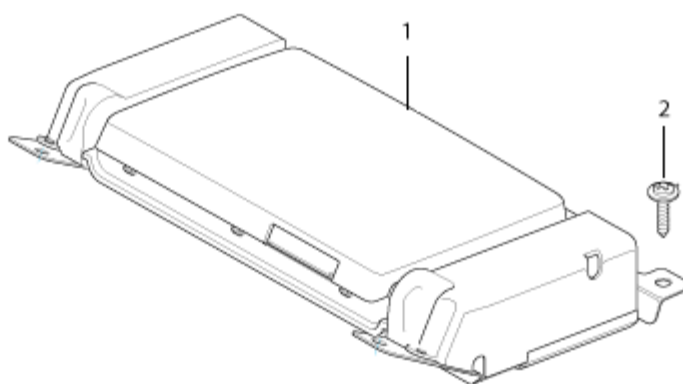
Item	Part Number	Description	Qty	Remarks
1	4G43-10E887-EH	Module, multimedia	1	Up To 17/01/08
-	4G43-10E887-EJ	Module, multimedia	1	From 17/01/08
-	4G43-10E898-AH	Disc, navigation, EU	1	-
-	4G43-10E898-BE	Disc, navigation, USA	1	-
-	4G43-10E898-CB	Disc, navigation, Australia	1	-
2	7G43-10E887-AB	Bracket, MMM	1	07MY
-	8G43-10E887-AA	Bracket, MMM	1	08MY From (V) A09110
3	701449	Screw, M5 x 12	4	-

DB9 - ELECTRONIC FEATURES



DB9

19 ELECTRONIC FEATURES

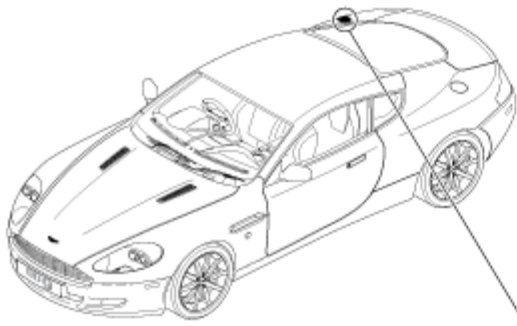


March 2006
190703-D1
Sat Nav Display

Sat Nav Display

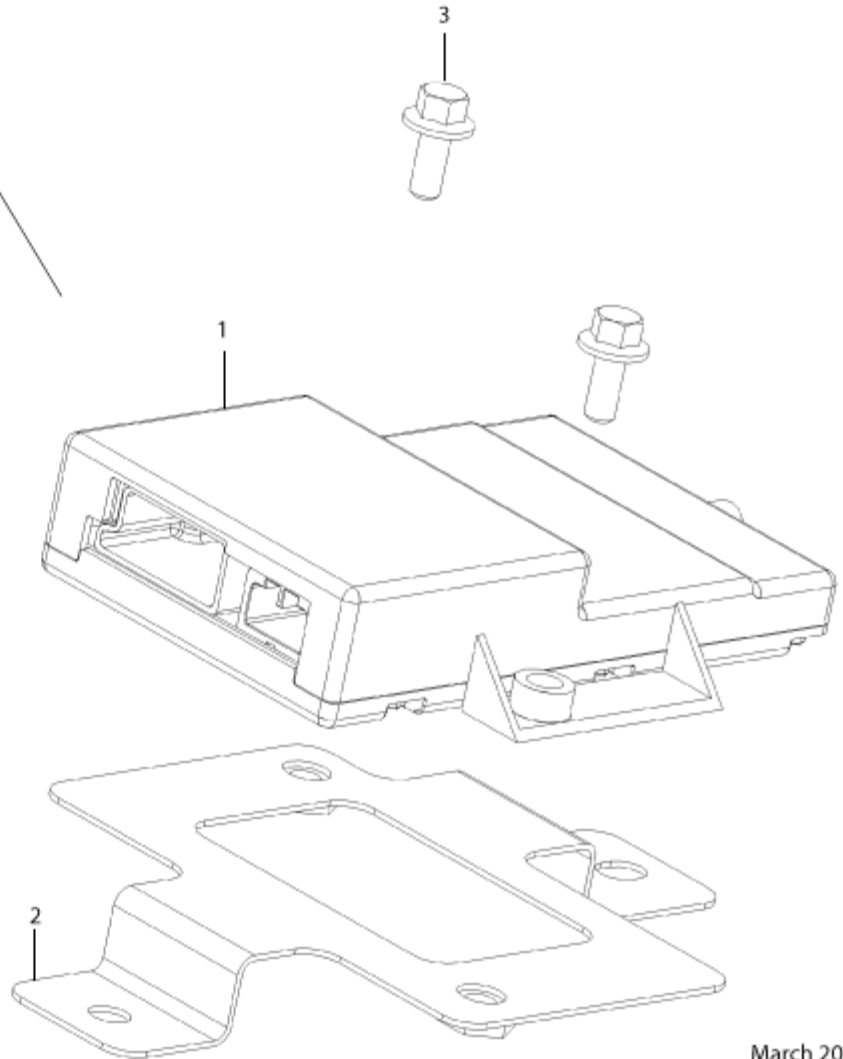
Item	Part Number	Description	Qty	Remarks
1	8G43-10E889-AB	Screen, navigation display	1	-
2	701157-PK	Screw, washer head	4	-
-	4G43-10E901-AB	Cover, RTI	1	For use with plastic substrate surround
-	6G33-10E901-AC	Cover, RTI	1	For use with metal substrate/metal foil surround

DB9 - ELECTRONIC FEATURES



DB9

19 ELECTRONIC FEATURES



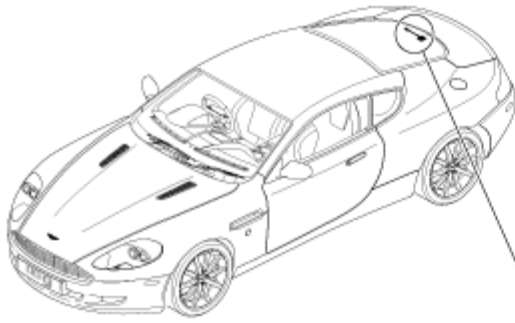
March 2006
190705-D1
GPS Tuner

GPS Tuner

Item	Part Number	Description	Qty	Remarks
1	4G43-37-10688	Tuner, GPS	1	-
-	4G43-37-10915	Tuner, GPS	1	07/08 on
2	4G43-10E887-BD	Bracket, GPS	1	-

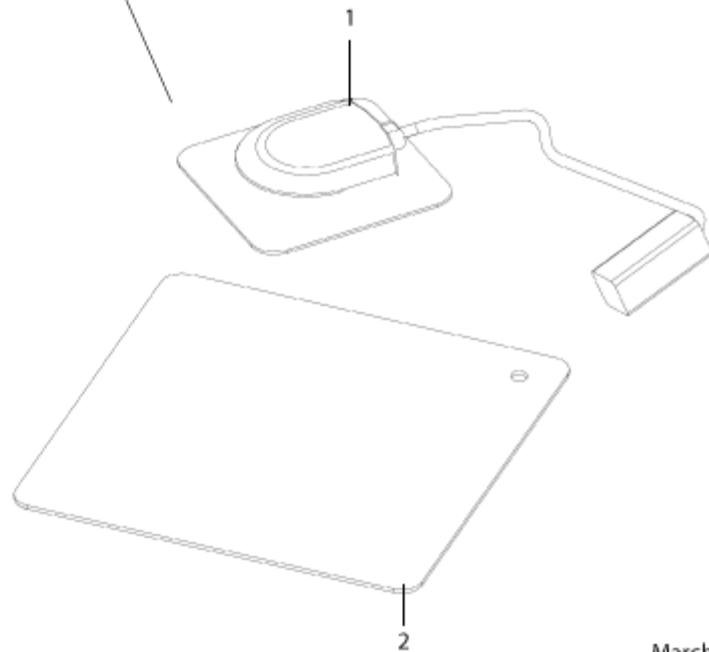
3	697818	Screw, M5 x 12	2	-
---	------------------------	----------------	---	---

DB9 - ELECTRONIC FEATURES



DB9

19 ELECTRONIC FEATURES

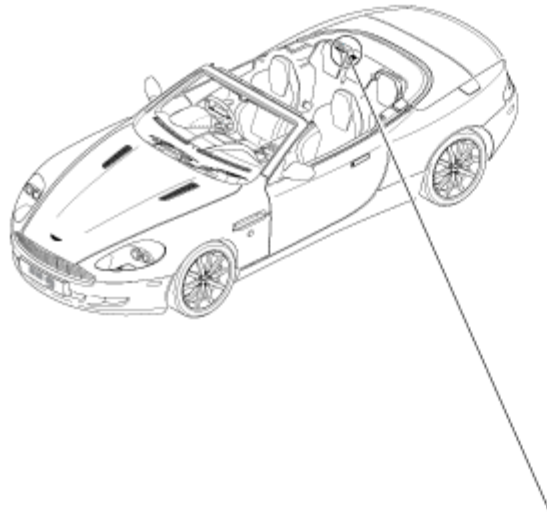


March 2006
190706-D1
GPS Antenna

GPS Antenna

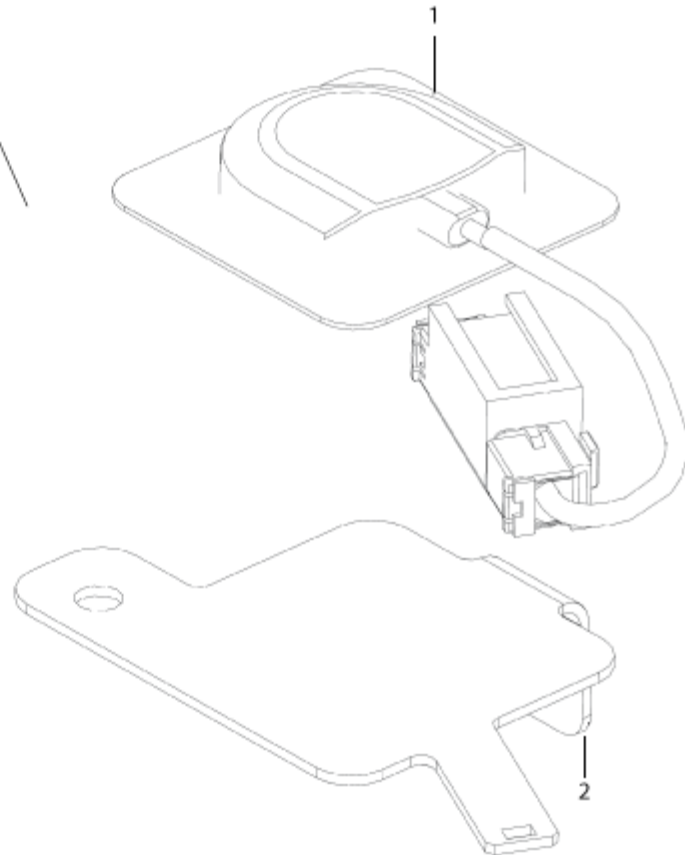
Item	Part Number	Description	Qty	Remarks
1	1R12-37-10024	Antenna, GPS	1	-
2	4G43-10E921-BB	Base plate, GPS antenna	1	-
-	SPB10795/3	Tape, adhesive	1	-

DB9 - ELECTRONIC FEATURES



DB9

19 ELECTRONIC FEATURES



March 2006

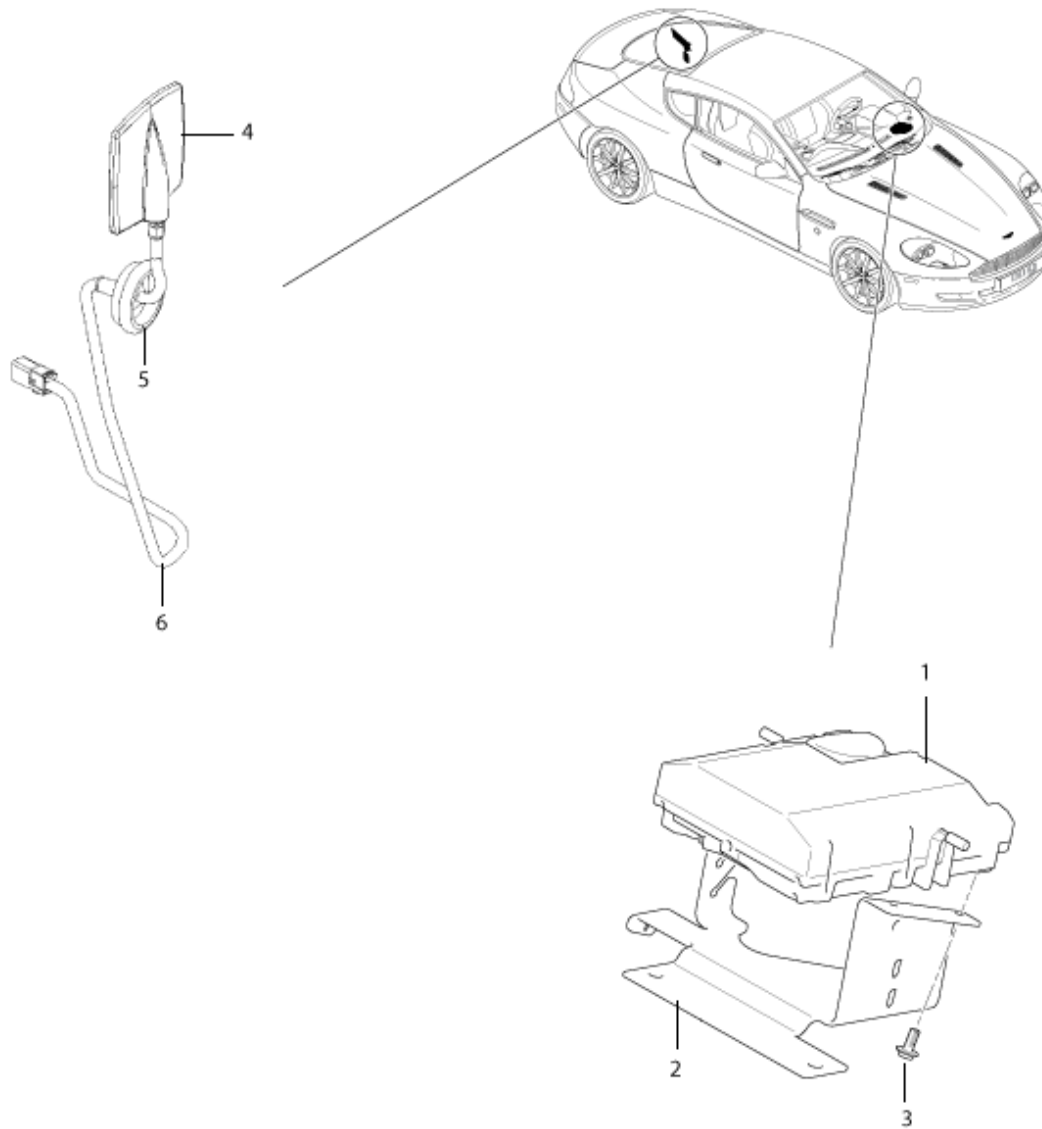
190706-D2

GPS Antenna, VOLANTE

GPS Antenna, VOLANTE

Item	Part Number	Description	Qty	Remarks
1	1R12-37-10024	Antenna, GPS	1	-
2	6G43-10E921-DA	Base plate, GPS antenna	1	-

DB9 - ELECTRONIC FEATURES



DB9

19 ELECTRONIC FEATURES

March 2006

190800-D1

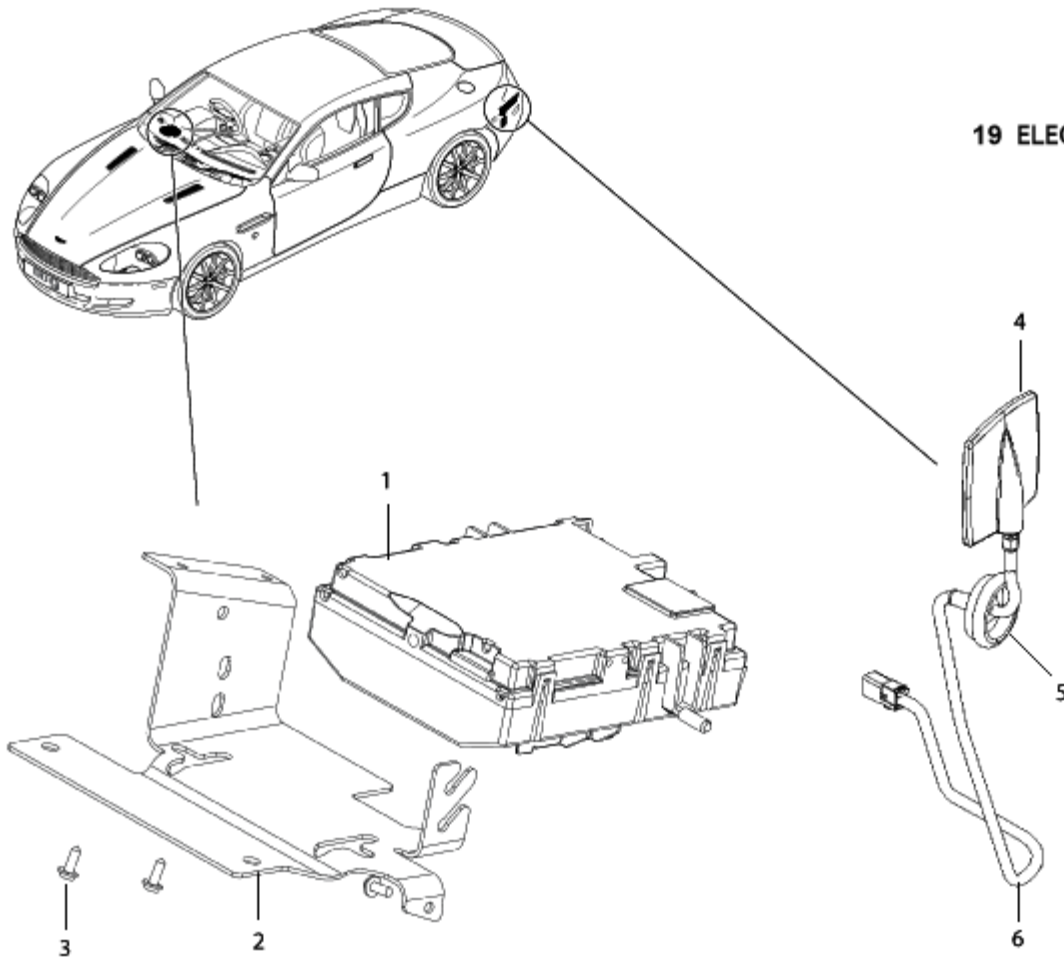
Cellular Phone Subsystem, LHD

Cellular Phone Subsystem, LHD

Item	Part Number	Description	Qty	Remarks
1	4G43-37-10764	Telephone module	1	-
2	4G43-19A393-BK	Bracket, telephone mod, LHD	1	-
3	701441	Screw, M4 x 13	3	-
4	4G43-19A390-AA	Antenna, phone, GSM	1	-
5	37-81850	Grommet, antenna lead/body	1	-

6	4G43-14588-BA	Extension lead, GSM antenna	1	-
-	700414	Grommet, blanking	1	-

DB9 - ELECTRONIC FEATURES



DB9

19 ELECTRONIC FEATURES

March 2006

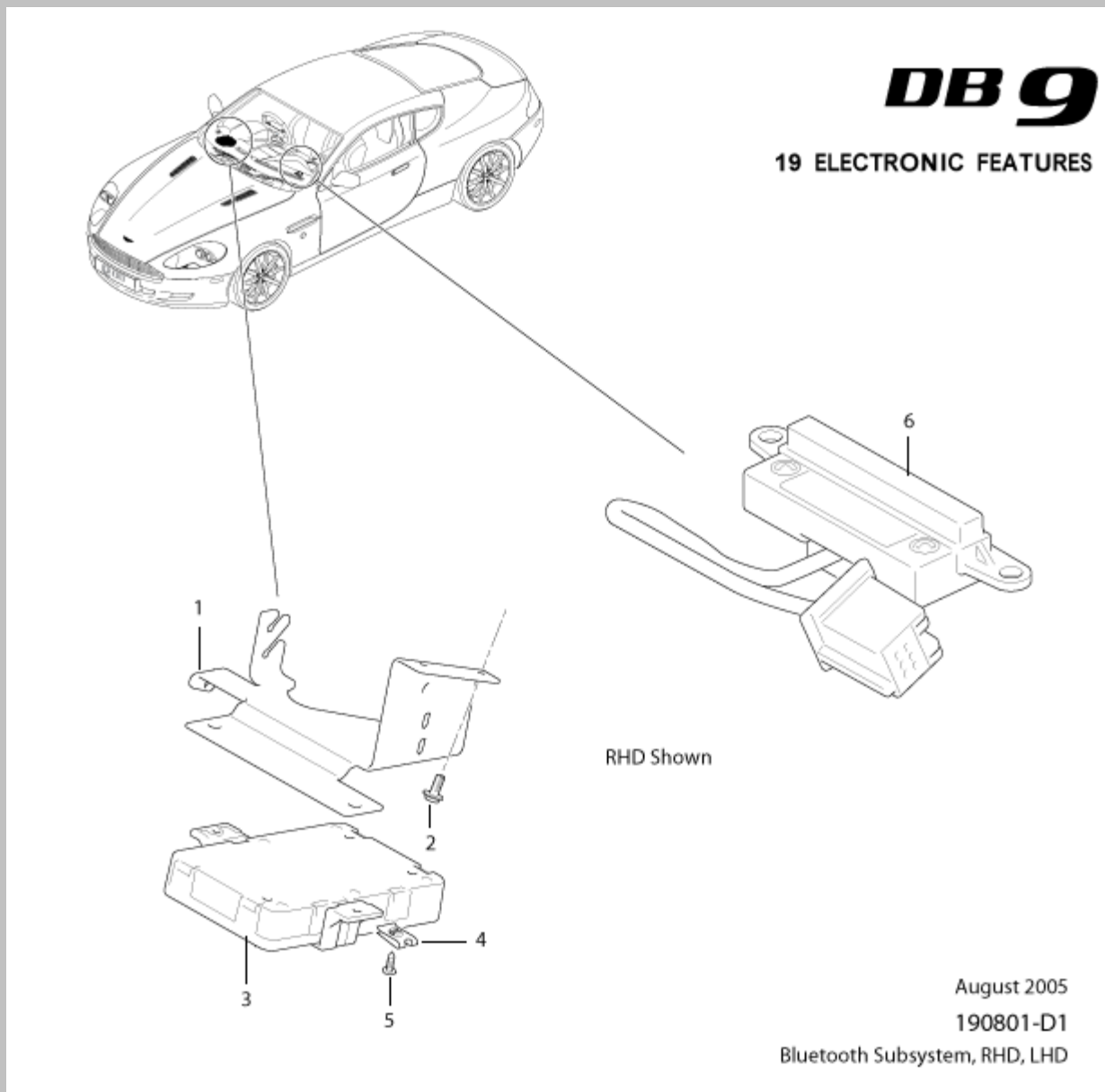
190800-D2

Cellular Phone Subsystem, RHD

Cellular Phone Subsystem, RHD

Item	Part Number	Description	Qty	Remarks
1	4G43-37-10764	Module, telephone	1	-
2	4G43-19A393-AK	Bracket, telephone module, RHD	1	-
3	701441	Screw, M4 x 13	3	-
4	4G43-19A390-AA	Antenna, phone, GSM	1	-
5	37-81850	Grommet, antenna lead/body	1	-
6	4G43-14588-BA	Extension lead, GSM antenna	1	-
-	700414	Grommet, blanking	1	-

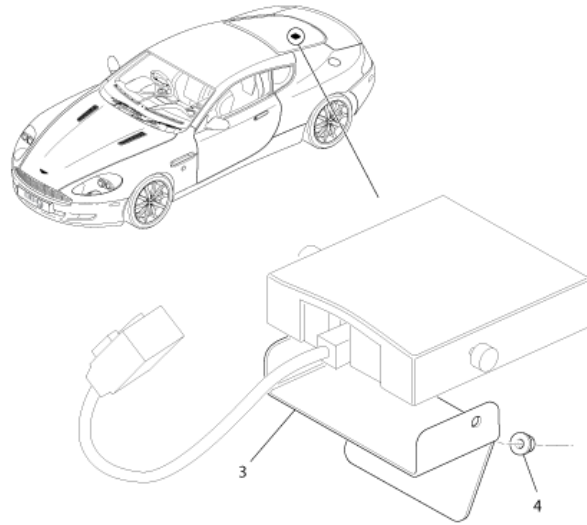
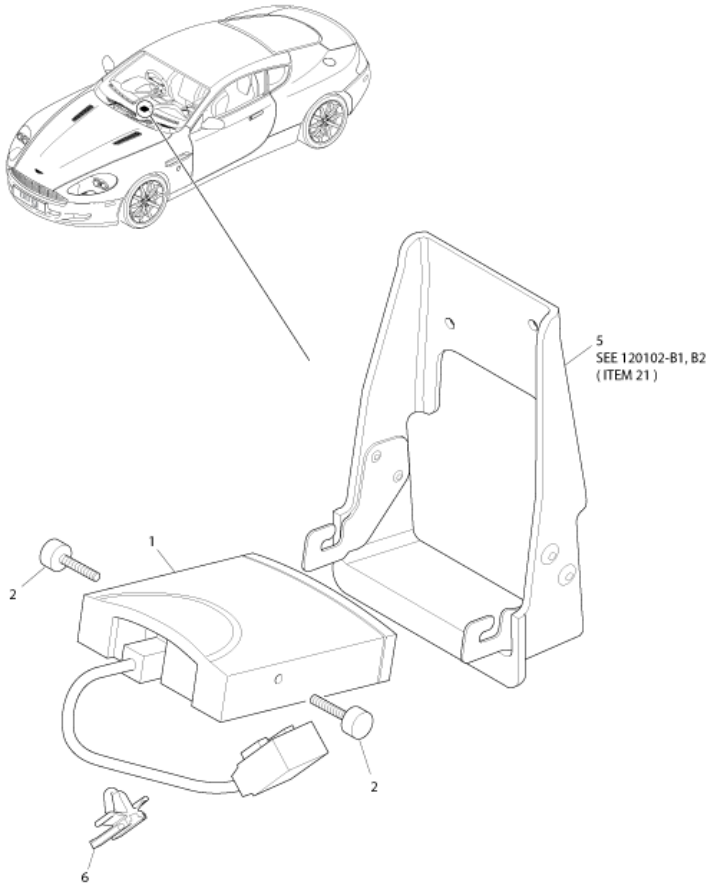
DB9 - ELECTRONIC FEATURES



Bluetooth Subsystem, RHD, LHD

Item	Part Number	Description	Qty	Remarks
1	4G43-19A393-AK	Bracket, phone module, RHD	1	07MY
-	8D33-19A393-AA	Bracket, phone module, RHD	1	08MY From (V) A09110
-	4G43-19A393-BK	Bracket, phone module, LHD	1	07MY
-	8D33-19A393-BA	Bracket, phone module, LHD	1	08MY From (V) A09110

2	701441	Screw, ST4 x 13, washer head	2	-
3	4G43-19C112-AA	Module, bluetooth 1	1	UK English/US English/Spanish/French Canadian
-	4G43-19C112-BA	Module, bluetooth 2	1	French/German/Italian
-	4G43-37-10924	Bluetooth phone module hw	1	08MY From (V) A09110
4	701448	Nut, U type	2	-
5	701441	Screw, ST4 x 13, washer head	2	-
6	4G43-13D767-BB	Module, bluetooth light	1	Platinum
-	7G43-13D767-AA	Module, bluetooth light	1	Graphite



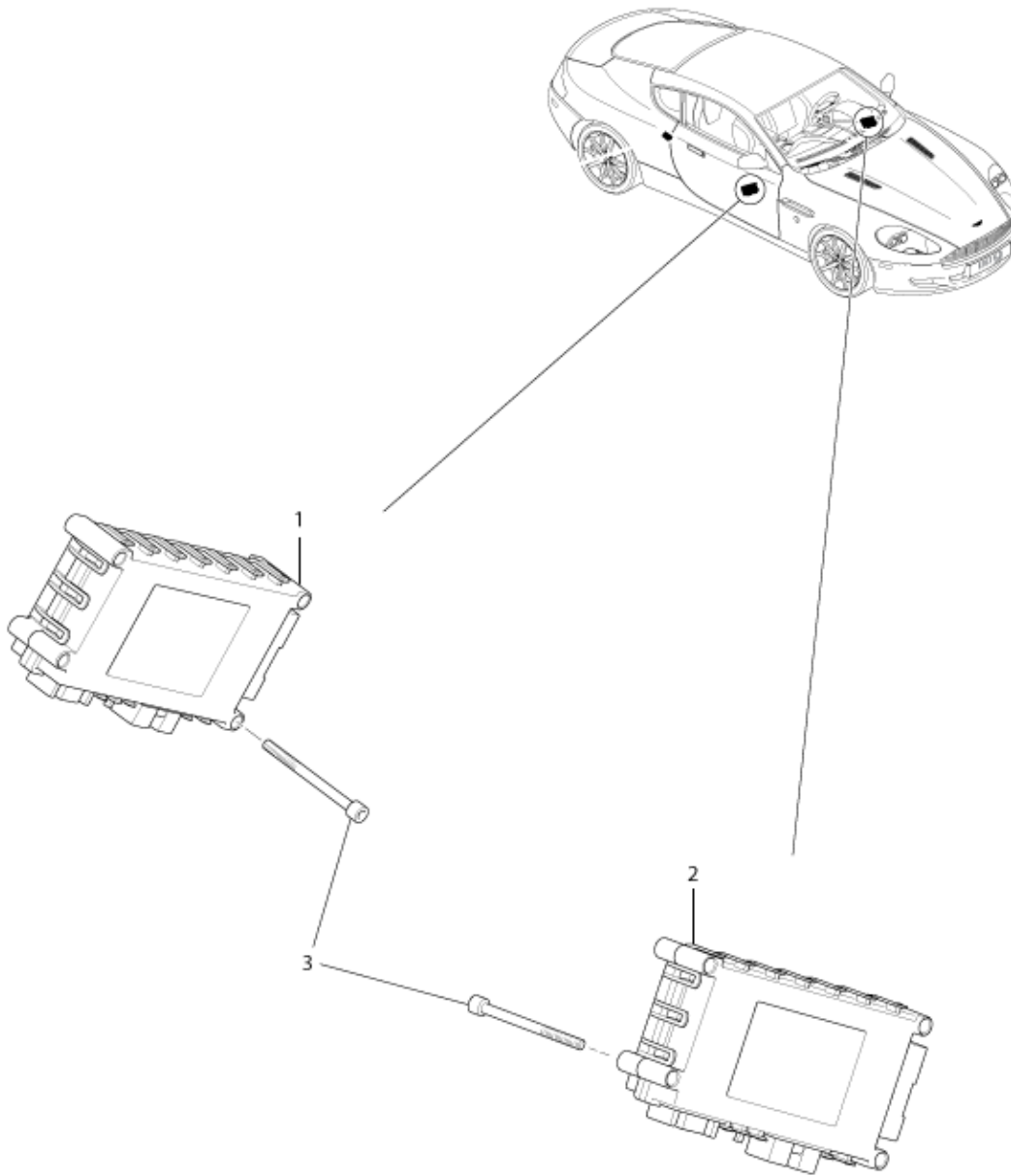
December 2007
191001-B1
Tyre Pressure Module

Tyre Pressure Module

Item	Part Number	Description	Qty	Remarks
1	4R12-370807-AC	Module, tyre pressure monitoring	1	07MY
-	8G43-370807-BA	Module, tyre pressure monitoring	1	08MY From (V) A09110
2	4G43-46030-AA	Thumb screw	2	-
3	4G43-370807-ED	Bracket, TPM, LH	1	07MY
-	4G43-370807-EE	Bracket, TPM, LH	1	08MY From (V) A09110
-	4G43-370807-FD	Bracket, TPM, RH	1	07MY
-	4G43-370807-FE	Bracket, TPM, RH	1	08MY From (V) A09110
4	697820	Nut, flg, M6	2	-
5	7G43-370807-AA	Bracket assy, TPM	1	-
6	8G43-14A163-AA	Clip, connector	1	-

DB9

19 ELECTRONIC FEATURES



August 2005

191001-D1

Multi-Function Electronic Control, LHD

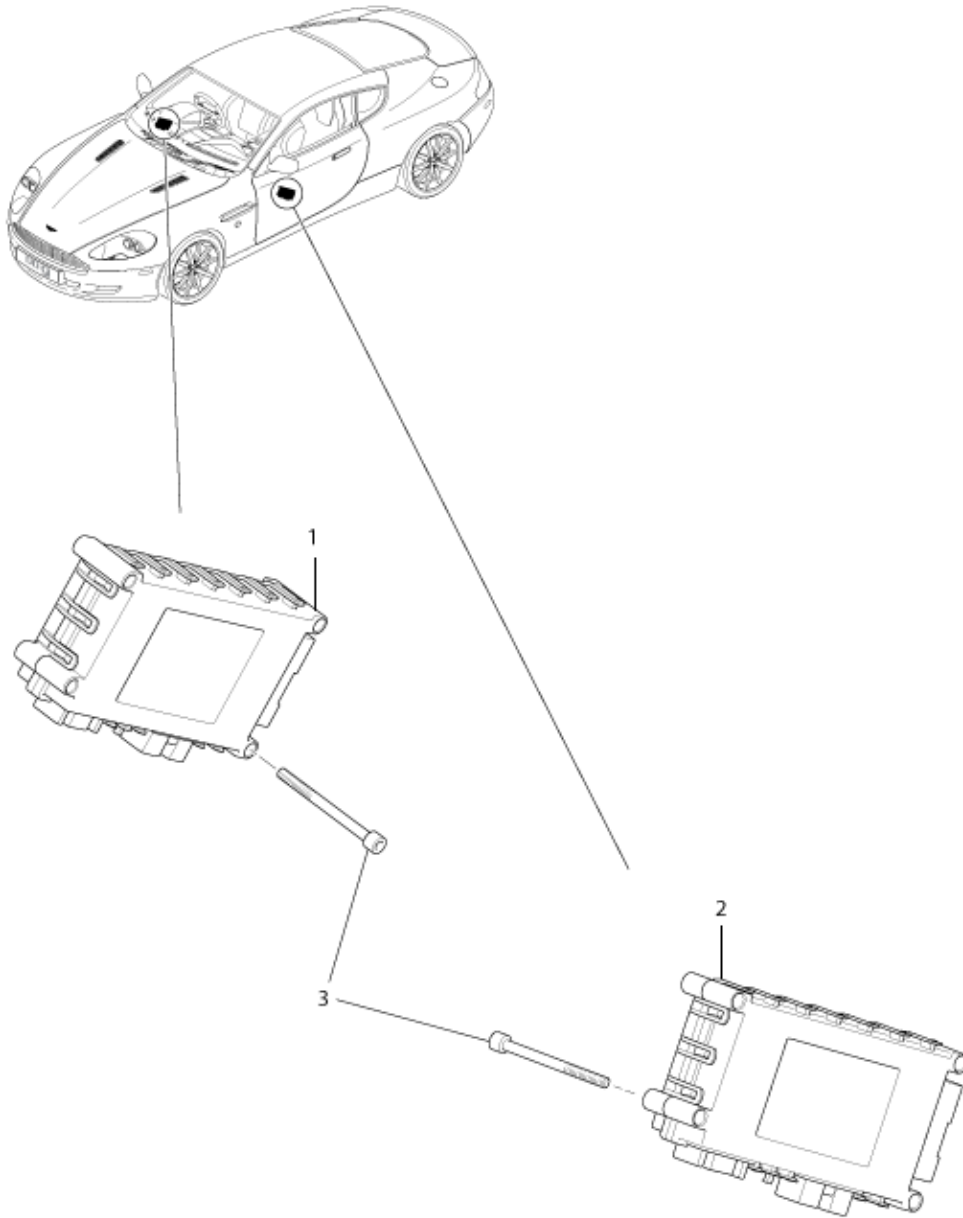
Multi-Function Electronic Control, LHD

Item	Part Number	Description	Qty	Remarks
1	4G43-13C791-AJ	Module, electronic, drivers door	1	Coupe
-	7G43-13C791-AA	Module, electronic, drivers door	1	Coupe 07MY
-	7G43-13C791-AB	Module, electronic, drivers door	1	Coupe 07MY/08MY
-	8G43-13C791-AA	Module, electronic, drivers door	1	Coupe 09MY
-	4G43-13C791-BH	Module, electronic, drivers door	1	Volante

-	7G43-13C791-BA	Module, electronic, drivers door	1	Volante 07MY
-	7G43-13C791-BB	Module, electronic, drivers door	1	Volante 07MY/08MY
-	8G43-13C791-AA	Module, electronic, drivers door	1	Volante 09MY
-	AG43-14C235-AA	Module electronic, drivers door	1	10MY
2	4G43-13C790-AJ	Module, electronic, passenger door	1	Coupe
-	7G43-13C790-AA	Module, electronic, passenger door	1	Coupe 07MY
-	7G43-13C790-AB	Module, electronic, passenger door	1	Coupe 07MY/08MY
-	8G43-13C790-AA	Module, electronic, passenger door	1	Coupe 09MY
-	4G43-13C790-BH	Module, electronic, passenger door	1	Volante
-	7G43-13C790-BA	Module, electronic, passenger door	1	Volante 07MY
-	7G43-13C790-BB	Module, electronic, passenger door	1	Volante 07MY/08MY
-	8G43-13C790-AA	Module, electronic, passenger door	1	Volante 09MY
-	AG43-14C237-AA	Module, electronic, passenger, door	1	10MY
3	703197	Bolt, M6 x 50	8	-

DB9

19 ELECTRONIC FEATURES



August 2005

191001-D2

Multi-Function Electronic Control, RHD

Multi-Function Electronic Control, RHD

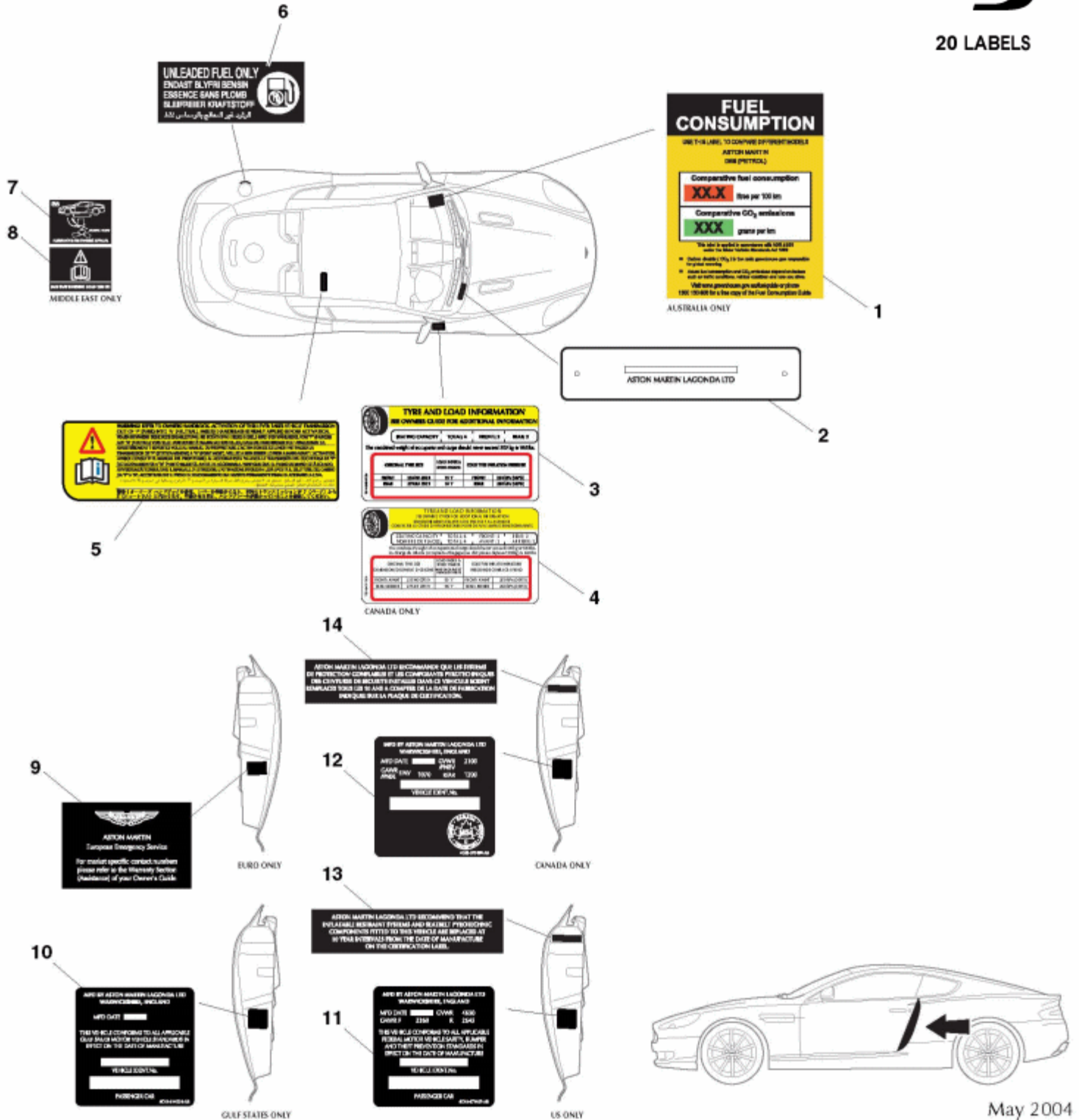
Item	Part Number	Description	Qty	Remarks
1	4G43-13C791-AJ	Module, electronic, drivers door	1	Coupe
-	7G43-13C791-AA	Module, electronic, drivers door	1	Coupe 07MY
-	7G43-13C791-AB	Module, electronic, drivers door	1	Coupe 07MY/08MY
-	8G43-13C791-AA	Module, electronic, drivers door	1	Coupe 09MY
-	4G43-13C791-BH	Module, electronic, drivers door	1	Volante

-	7G43-13C791-BA	Module, electronic, drivers door	1	Volante 07MY
-	7G43-13C791-BB	Module, electronic, drivers door	1	Volante 07MY/08MY
-	8G43-13C791-AA	Module, electronic, drivers door	1	Volante 09MY
-	AG43-14C235-AA	Module, electronic, drivers door	1	10MY
2	4G43-13C790-AJ	Module, electronic, passenger door	1	Coupe
-	7G43-13C790-AA	Module, electronic, passenger door	1	Coupe 07MY
-	7G43-13C790-AB	Module, electronic, passenger door	1	Coupe 07MY/08MY
-	8G43-13C790-AA	Module, electronic, passenger door	1	Coupe 09MY
-	4G43-13C790-BH	Module, electronic, passenger door	1	Volante
-	7G43-13C790-BA	Module, electronic, passenger door	1	Volante 07MY
-	7G43-13C790-BB	Module, electronic, passenger door	1	Volante 07MY/08MY
-	8G43-13C790-AA	Module, electronic, passenger door	1	Volante 09MY
-	AG43-14C237-AA	Module, electronic, passenger door	1	10MY
3	703197	Bolt, M6 x 50	8	-

DB9 Labels

DB9

20 LABELS

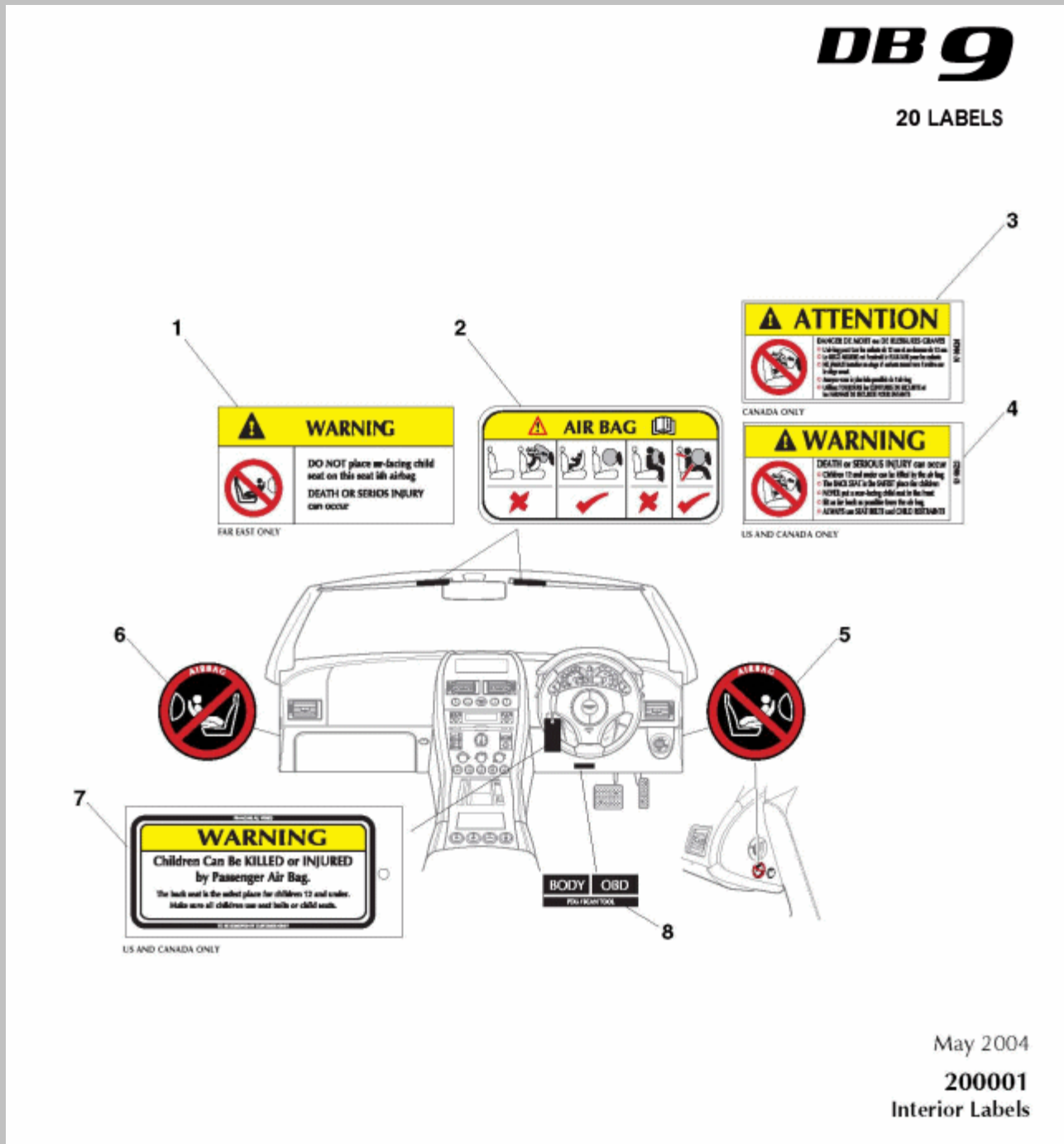


May 2004
20000
Exterior Labels

Item	Part Number	Description	Qty	Remarks
1	4G43-975411-AD	Label, fuel consumption, AUTO	1	Australia
-	4G43-975411-AD	Label, fuel consumption, MAN	1	Australia
-	9G43-975411-AB	Label, fuel consumption-AUTO	1	Australia 09MY
-	9G43-975411-BA	Label, fuel consumption-MAN	1	Australia 09MY
-	9G43-975411-AC	Label, fuel consumption-AUTO	1	Australia 9.5MY
-	9G43-975411-BB	Label, fuel consumption-MAN	1	Australia 9.5MY
-	9G43-975411-CA	Label, fuel consumption-AUTO	1	South Africa 09MY
-	9G43-975411-DA	Label, fuel consumption-MAN	1	South Africa 09MY
-	9G43-975411-CB	Label, fuel consumption-AUTO	1	South Africa 9.5MY
-	9G43-975411-DB	Label, fuel consumption-MAN	1	South Africa 9.5MY
2	4G43-01631-AB	Vin Plate	1	All Markets
3	4G43-69014-DA	Tyre & Load Info	1	US States
-	4G43-69014-AB	Tyre & Load Info	1	South Africa
-	4G43-69014-AB	Tyre & Load Info	1	Australia
-	4G43-69014-AB	Tyre & Load Info	1	Singapore
-	4G43-69014-AB	Tyre & Load Info	1	Japan
-	4G43-69014-AB	Tyre & Load Info	1	ROW
-	4G43-69014-CB	Tyre & Load Info	1	Arabic
4	4G43-69014-BD	Tyre & Load Info	1	Canada Only
5	4G43-7J168-AB	Dual Park Lock Disengage	1	All Markets
6	4G43-5450-AC	Multi Language Unleaded Fuel	1	All Markets
7	4G43-37799-AA	Jack Label	1	All Markets
8	4G43-37799-BA	Max Load Weight, Jack Label	1	All Markets
9	4G43-973624-AB	Label, European Emergency	1	Euro Only
-	4G43-973624-BB	Label, Japan Emergency	1	Japan Only
-	6G43-973624-CA	Label, Australia Emergency	1	Australia Only
-	8G43-973624-DA	Label, South Africa Emergency	1	South Africa Only
10	4G43-19H229-AB	Certification Label	1	Gulf States
11	4G43-973407-AC	Certification Label, CPE AUTO	1	US States
-	4G43-973407-BB	Certification Label, VOL AUTO	1	US States
-	4G43-973407-CB	Certification Label, CPE MAN	1	US States
-	4G43-973407-DB	Certification Label, VOL MAN	1	US States
12	8G43-973408-AA	Certification Label, CPE AUTO	1	Canada Only
-	8G43-973408-BA	Certification Label, VOL AUTO	1	Canada Only
-	8G43-973408-CA	Certification Label, CPE MAN	1	Canada Only
-	8G43-973408-DA	Certification Label, VOL MAN	1	Canada Only
13	4G43-57K92-AA	Label, Airbag Replacement	1	US States

14	4G43-57K92-BA	Label, Airbag Replacement	1	Canada Only
15	4G43-L915A01-BA	Label, roll over, Volante	1	All markets

DB9 Labels



May 2004

200001

Interior Labels

Interior Labels

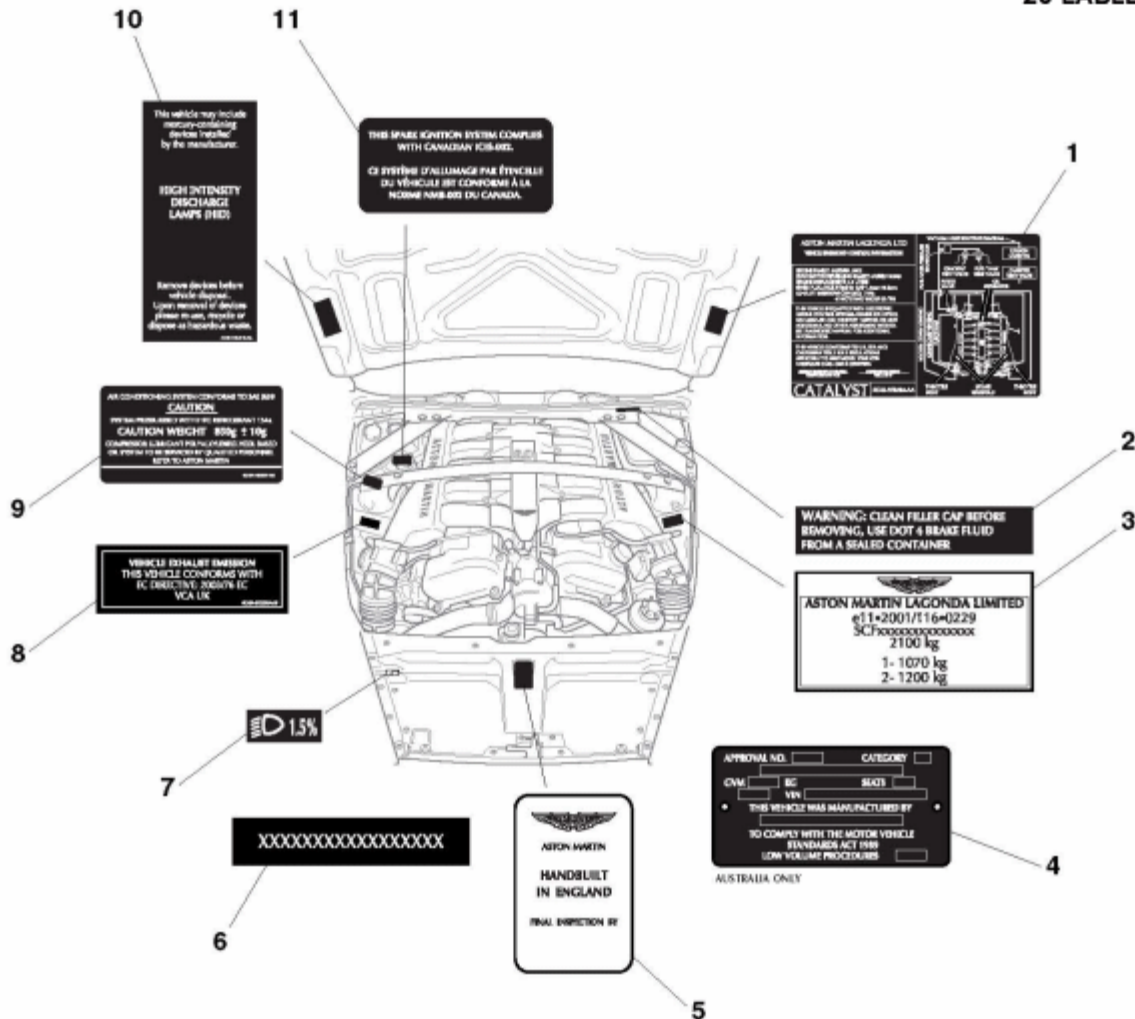
Item	Part Number	Description	Qty	Remarks
1	4R12-976114-AB	Label, Airbag Warning	1	Aus/NZ/Japan/Hongkong/Singapore
2	6G43-5090-AA	Airbag Warning	1	Euro Markets
3	6G43-90424-AA	Airbag Warning	1	Canada Only

-	7G43-90423-AA	Airbag Warning	1	Canada Only
4	7G43-973619-AA	Label, Airbag Warning	1	USA Only
5	97-84799	Label, Airbag Warning RHD	1	All Markets
6	97-84800	Label, Airbag Warning LHD	1	All Markets
7	1R12-973619-AA	Label, Airbag Warning, 2+2 English	1	Canada Only
-	1R12-973620-AA	Label, Airbag Warning, 2+2 French	1	Canada Only
8	4G43-18N968-AA	Label, PDU Body & OBDII	1	RHD
-	4G43-18N968-BA	Label, PDU Body & OBDII	1	LHD
9	4G43-L915A01-AA	Label, deployable roll bar	1	Located on drivers door
10	4G43-L915A01-BA	Label, rollover sensor	1	Located on sensor
11	4G43-974747-AA	Label, winter wheel & tyre	1	Located on winter wheel

DB9 Labels

DB9

20 LABELS



May 2004
200002
 Underbonnet Labels

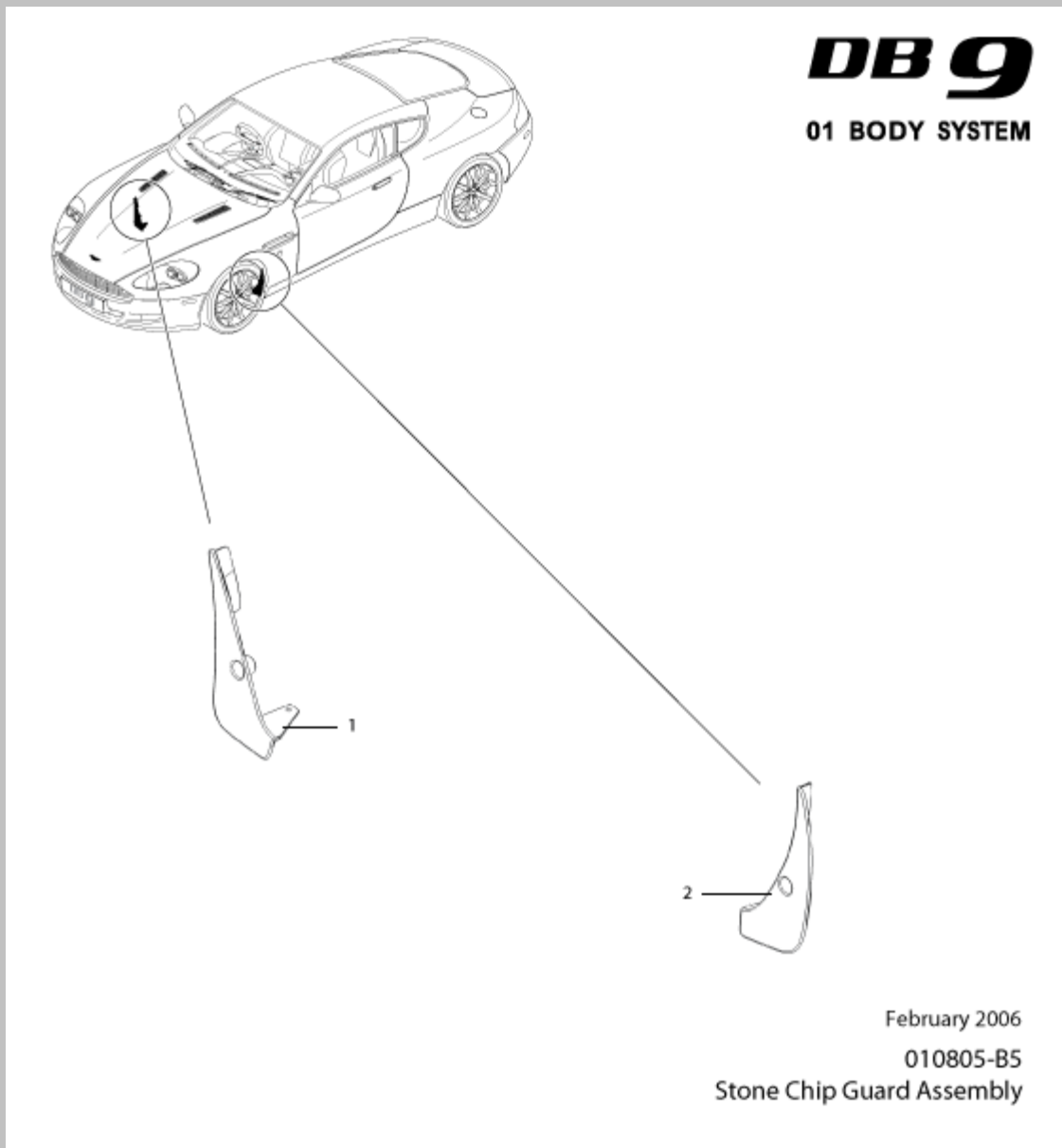
Underbonnet Labels

Item	Part Number	Description	Qty	Remarks
1	5G43-973268-AA	Label, Vehicle emissions cntrl info	1	05MY
-	6G43-973268-AA	Label, Vehicle emissions cntrl info	1	06MY
-	7G43-973268-AA	Label, Vehicle emissions cntrl info	1	07MY
-	9D33-973268-AA	Label, Vehicle emissions cntrl info	1	09MY
2	4G43-2C378-AB	Label, Brake master cylinder	1	-

3	4G43-973615-AC	Label, Manufactures plate Coupe Auto	1	Euro Markets
-	4G43-973615-BB	Label, Manufactures plate Volante Auto	1	Euro Markets
-	4G43-973615-CB	Label, Manufactures plate Coupe Man	1	Euro Markets
-	4G43-973615-DB	Label, Manufactures plate Volante Man	1	Euro Markets
-	4G43-974427-AC	Label, Manufactures plate Coupe Auto	1	ROW
-	4G43-974427-BB	Label, Manufactures plate Volante Auto	1	ROW
-	4G43-974427-CB	Label, Manufactures plate Coupe Man	1	ROW
-	4G43-974427-DB	Label, Manufactures plate Volante Man	1	ROW
4	4G43-974745-AA	Label, Compliance plate	1	Australia Only
5	6G33-974663-AA/MM	Label, Final inspection plate-Mick Moten	1	-
-	6G33-974663-AA/MA	Label, Final inspection plate-Martin Askill	1	-
-	6G33-974663-AA/DB	Label, Final inspection plate-Dean Brittain	1	-
-	6G33-974663-AA/MF	Label, Final inspection plate-Mick Freeman	1	-
-	6G33-974663-AA/AG	Label, Final inspection plate-Andrew Gough	1	-
-	6G43-97-10417	Label, Final inspection plate-name as required	1	-
6	4G43-4883-AA	Label, Vin marking	1	-
7	4G43-19G318-BA	Label, Headlamp angle	1	-
8	4G43-975259-AB	Label, EMS certification	1	Singapore Only
9	4G43-19E935-AB	Label, A/C refridge disposal	1	-
-	4G43-19E935-BB	Label, A/C refridge disposal	1	Gulf States only
10	4G43-19G318-AC	Label, Headlamp mecury	1	-
11	4G43-19G318-CA	Label, EMC compliance	1	-
12	4G43-13K178-AA	Label, Headlamp aim caution	1	-
13	97-86061	Label, CFC	1	Japan only

[Contents](#)

DB9 - BODY SYSTEM



Stone Chip Guard Assembly

Item	Part Number	Description	Qty	Remarks
1	6G43-16L588-AA	Guard, stone chip, RH	1	-
2	6G43-16L589-AA	Guard, stone chip, LH	1	-